



STORAGE HUB[®]

E77 'PREMIUM' / E72

E77

E72

THIS IS WHERE IT BEGINS



SHAPED BY INNOVATION

It all started in 1888 when the Iron Hand, the first-ever pipe wrench, was patented and produced in Sweden. Since then, technical innovations, materials and technologies have shaped the ongoing heritage of the Bahco brand.

From the start, the Bahco tools responded to a very clear need. They were – and still are – produced for professionals. That sets high standards in quality, ergonomics, comfort, functionality and safety. In other words, everything which makes high-quality tools stand out. These high standards have continued to be our benchmark. Around 15,000 Bahco products incorporate these values in a complete range for customers in industry, aviation, the automotive sector, construction, garden and landscape management, fruit-growing and wine cultivation.

But what has changed in our history? More than ever, the customer is key to what we do. Their needs drive our solutions. The Storage HUB is an excellent example of a co-production with end-users. We've carefully analysed their needs and those of other fellow professionals and translated them into a new generation of tool trolleys.

Storage HUB. This is where it begins!

Ultimate performance, unrivalled flexibility and optimum safety: this is where it begins with the Storage HUB. Your personal tool trolley, cleverly designed for all your tools.

The Storage HUB is a functional and modular tool trolley, including a one-drawer-at-a-time safety feature, an intuitive locking system and a wide range of accessories – features which provide a tangible response to the market's needs.

Obviously the Storage HUB is more than a heavy-duty tool trolley packed with innovations. We have expanded our valuable knowledge and retained the strong features of our previous generation, like the excellent reliability, the outstanding lifespan and the first-rate performance you expect from our tools. These are the core values where it all began for Bahco. Values we will always maintain.





THE STORAGE HUB IS WHERE IT BEGINS!

The Storage HUB is the NEXT generation tool trolley from BAHCO. The trolley combines **functionality, safety and performance**, and you can personalise it with all the features you want. That makes the Storage HUB the centre of your work area, packed with innovations for optimal support.

The Storage HUB is your personal tool trolley.

STORAGE
HUB[®]
E77 'PREMIUM' / E72





THE SUPER-STRONG CASE AT THE HEART OF OUR HUBS

The innovative, strong case is a key element at the core of the E72 and the E77 Premium HUB. It is built with first-class steel, strategically positioned welding points and reinforced with special brackets, all combined with a scratchproof powder coating to protect it against corrosion. Additionally, it has a dual-walled case ensuring optimal performance even after a collision.

Dual-walled case

If the outside wall is damaged in a collision, the dual-walled case ensures that the drawers will always open.

Scratchproof powder coating

The inside and outside of the case and drawers have been given a scratchproof powder coating with the same high standards used by car manufacturers. Combined with the first-class raw materials, the core is extremely durable. Even in extreme working conditions, like offshore industries.



INSIDE AND
OUTSIDE POWDER
COATING



Perforated side panels

The sides have special perforation slots into which you can hook different tool panels and holders to enlarge the tool storage capacity.

Solid steel construction

The dual-walled case is strengthened with strategically-positioned welding points, minimising the possibility of cracking. Key areas are reinforced with special brackets to make the Storage HUB even stronger. The top and bottom panels are also made from one piece, so the trolley can perform in the most demanding environments.



**STORAGE
HUB**[®]
E77 'PREMIUM' / E72

CONTENTS



STORAGE HUB E77 'PREMIUM'	10
The design	12
Safety	14
Functionality	18
Performance	20
Technical specifications	26
STORAGE HUB E72	30
The design	32
Safety	34
Functionality	35
Performance	36
Technical specifications	40
XPAND ACCESSORIES	46
BAHCO ERGO TOOL MANAGEMENT SYSTEM	68
BETMS	70
Fit&Go	72



STORAGE HUB // E77 'PREMIUM'



OUR STRONGEST, SAFEST MODULAR TOOL TROLLEY

The E77 Premium Storage HUB combines top of the line safety with innovative design to meet the needs of people working in heavy-duty environments. The innovative, strong case is a key element at the core of the E77. Its exclusive style and ingenious safety features—from anti-tilting drawers with individual shock-protecting bumpers to precision wheels with a cutting-edge dual-braking system—set it apart as a premium solution. With modular functionality, it can also be combined with a large range of innovative accessories that can be attached to the top, side and bottom of the trolley, to simplify your work and improve efficiency. It is a perfect combination of convenience, safety and top performance.



DRAWER CONFIGURATION

6-DRAWERS



7-DRAWERS



8-DRAWERS



9-DRAWERS



COLOURS

NO. DRAWERS	6	7	8	9
ORANGE RAL2009	1477K6	1477K7	1477K8	1477K9
GREY RAL9022	1477K6GREY	1477K7GREY	1477K8GREY	1477K9GREY
BLACK RAL9005	1477K6BLACK	1477K7BLACK	1477K8BLACK	1477K9BLACK

More colours?

Design your own storage solution with our BETMS configurator. Ask your dealer for more information.

E77



User-friendly handle

The solid steel pushbar has a thermoplastic handle to provide a safe grip, even in cold conditions. This user-friendly handle is U-shaped to ensure a natural position.

DRAWER **INDIVIDUAL** **SHOCK-PROTECTING** CORNER **BUMPERS**

Shock-protecting corner bumpers

The robust, individual drawer bumpers are made of fibre-strengthened plastic and can easily take a bump – even when the drawers are open. The rounded design with no sharp edges minimises the chance of user injuries and damage to surrounding objects.



Open drawers without tilting risk

The unique 1DAAT-system ensures that only one drawer can be opened at a time and prevents the trolley from falling over unexpectedly. The drawers stay shut automatically when the trolley is being moved thanks to the new pivoting latching system.



PIVOTING
LATCHING
SYSTEM





STORAGE HUB E7Z 'PREMIUM'

COLOUR: ORANGE RAL2009

ACCESSORIES: COMPOSITE BENCH TOP



**INNOVATIVE
DUAL-BRAKING
SYSTEM**

**Safe and secure
dual-braking system**

The brake on each of the two swivel wheels secures the trolley solidly to the ground, preventing movement in any direction.





Interchangeable bench tops

The removable central section lets you modify your bench top and adapt your trolley to varying working conditions. The interchangeable bench tops are available in composite, chestnut wood, MDF and stainless steel. The composite bench top can withstand the most common lubricants.

**ENDLESS VARIATION
WITH THE MODULAR TOP**

We have created the perfect tool trolley by combining a heavy-duty structure, a composite soft-touch finish and modular expansion abilities.

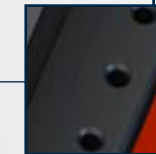
Modular attachment system

For the easy addition of accessories, unique guiding poles and mounting clamps have been developed specially for the Storage HUB E77 'PREMIUM'. This modular attachment system lets you create the most personal tool trolley.



Quick storage capacity

The side compartments on top of the Storage HUB E77 'PREMIUM' have built-in chambers for fast storage capacity, like screwdrivers and other hand tools.



BAHCO



LOAD CAPACITY UP TO 1,000 KG.

Smooth and stable wheels

With its innovative precision wheels, the trolley is very stable and rolls comfortably, even on irregular surfaces. The rubber wheels will leave no floor marking, are resistant to most common lubricants and have a static load capacity up to 1,000 kg.

Drawers which can open fully

Thanks to the sliders with ball bearings, the drawers glide very smoothly, can open all the way and have a capacity of up to 45 kg.



DRAWER CAPACITY UP TO 45 KG.



150,000 CYCLES





The key to ultimate security

The round master-locking system protects the tool trolley against theft and comes standard with the Storage HUB E77 'PREMIUM'. The compact key holder contains a spare key.

Bahco Xpand accessories contains three different upgrades for your master-locking system.

EXTRA STORAGE? NO PROBLEM!

Expand your Storage HUB E77 'PREMIUM' with the special E87 Top-chest to provide even more storage capacity. The Top-chest is available with 4 drawers and in 3 different colours.

Add-on solutions on top of the top!

With the Top-chest on top of your trolley, you can still add a variety of Bahco Xpand accessories.

COLOURS

NO. DRAWERS	4
ORANGE RAL2009	1487K4
GREY RAL9022	1487K4GREY
BLACK RAL9005	1487K4BLACK



More colours?

Design your own storage solution with our BETMS configurator. Ask your dealer for more information.



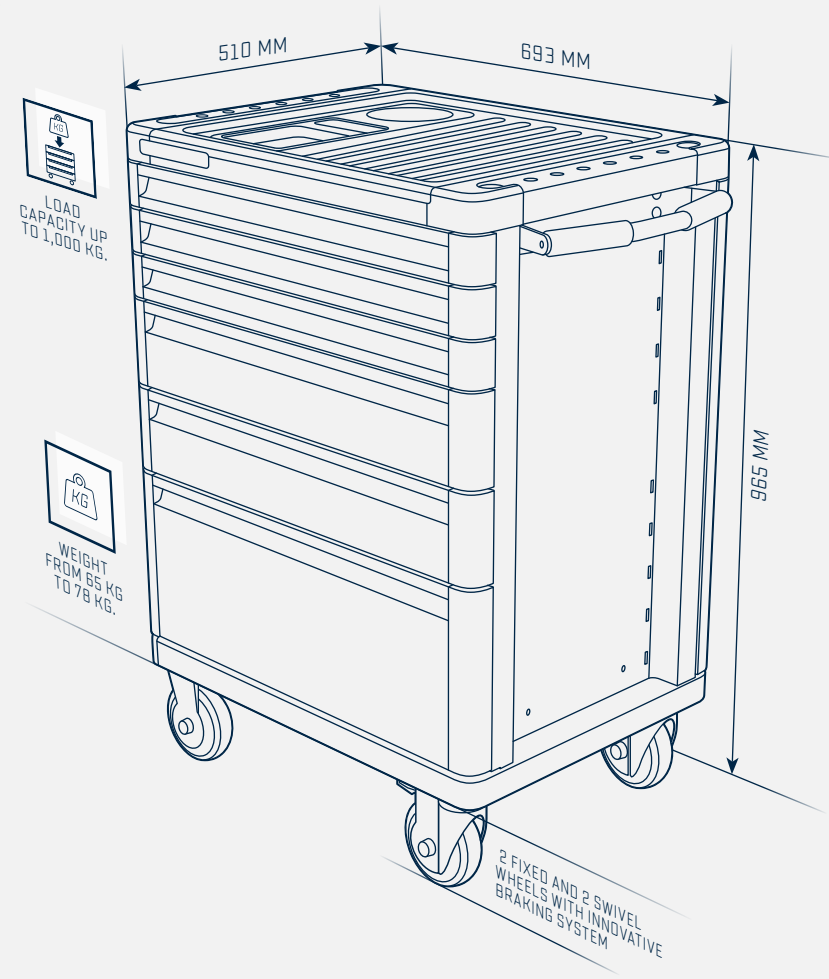
STORAGE HUB E77 'PREMIUM'

COLOUR: BLACK RAL9005

ACCESSORIES: COMPOSITE BENCH TOP, SPRAY CANISTER HOLDER, ROLL HOLDER

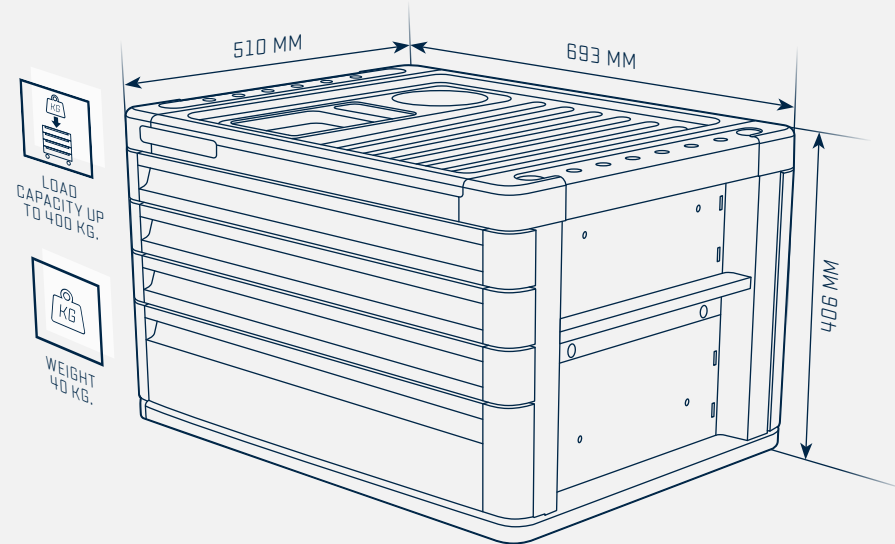
PRODUCT DETAILS

SIZE:	26"
WEIGHT:	6 drawers: 65 kg 7 drawers: 70 kg 8 drawers: 74 kg 9 drawers: 78 kg
LOADING CAPACITY:	1.000 kg
DRAWER CAPACITY:	Up to 45 kg
COLOURS:	Orange, Black or Grey
NO. DRAWERS:	6 / 7 / 8 / 9
UPGRADES:	4 drawer top chest
CUSTOMIZABLE:	Yes (BETMS Configurator)
LOCKING SYSTEM:	Standard Master key. Optional: MIFARE / PIN lock



XPAND ACCESSORIES

REMOVABLE GUIDING POLE LONG	Modular anti-rust coated steel pole	1477K-AC28
REMOVABLE GUIDING POLE SHORT	Modular anti-rust coated steel pole	1477K-AC29
SOLID CLAW AND RING MOUNTING	Reinforced plastic with metal fastening	1477K-AC11
INTERCHANGEABLE BENCH TOPS	Composite / Chestnut wood / MDF / Stainless steel	1477K-AC1P / 1477K-AC1W / 1477K-AC1D / 1477K-AC1SS
LAPTOP BOARD	Pivoting anti-rust coated steel shelf for up to 17" laptops	1477K-AC15
WORK DOCUMENT BOARD	360° adjustable steel holder	1477K-AC14
BOTTOM DRAWER	Composite (load capacity: 20 kg)	1477K-AC10
JACKET HOLDER	Anti-rust coated steel body	1477K-AC17
WINDSHIELD SUPPORTS	Kit of 4 steel receivers with rubber caps	1477K-AC16
TOP TOOL PANEL	Anti-rust coated steel body for adding BAHCO hooks range	1477K-AC12
TOP SIDE TOOL PANEL	Anti-rust coated steel body for adding BAHCO hooks range	1477K-AC13
PIN CODE LOCKING SYSTEM	Battery powered numeric access control	1477K-AC24
MIFARE LOCKING SYSTEM	Battery powered ID card access control	1477K-AC25
SIDE TOOL PANEL	Anti-rust coated steel body for adding BAHCO hooks range	1477K-AC22
HOOK SYSTEM	19 different hook types available	1495TP-
DOCUMENT HOLDER	Anti-rust coated steel body	1477K-AC19
SPRAY CANISTER HOLDER	Anti-rust coated steel body	1477K-AC20
ROLL HOLDER	Anti-rust coated steel body	1477K-AC18
POWERTOOL HOLDER	Anti-rust coated steel body	1477K-AC21
MASTER-KEY UPGRADE	1 key to lock multiple tool trolleys	1477K-MASTERKEY



PRODUCT DETAILS

SIZE:	26"
WEIGHT:	40 kg
LOADING CAPACITY:	400 kg
DRAWER CAPACITY:	up to 45 kg
COLOURS:	Orange, Black or Grey
NO. DRAWERS:	4
CUSTOMIZABLE:	Yes (BETMS Configurator)
LOCKING SYSTEM:	Standard Master key. Optional: MIFARE / PIN lock

XPAND ACCESSORIES

INTERCHANGEABLE BENCH TOPS	Composite / Chestnut wood / MDF / Stainless steel	1477K-ACTP / 1477K-ACTW / 1477K-ACTO / 1477K-ACTSS
MASTER-KEY UPGRADE	1 key to lock multiple tool trolleys	1477K-MASTERKEY
MIFARE LOCKING SYSTEM	Battery powered ID card access control	1477K-AC25
PIN CODE LOCKING SYSTEM	Battery powered NUMERIC acces control	1477K-AC24
SPRAY CANISTER HOLDER	Anti-rust coated steel body	1477K-AC20
ROLL HOLDER	Anti-rust coated steel body	1477K-AC18
POWERTOOL HOLDER	Anti-rust coated steel body	1477K-AC21



STORAGE HUB // E72



OUR SIMPLE, STREAMLINED STORAGE SOLUTION

The E72 Storage HUB has been designed to offer market-leading levels of safety and performance in a streamlined model. The innovative, strong case is a key element at the core of the E72 and the E77 Premium HUB. Thanks to the subtle design with rounded corners, shock-absorbing corner bumpers and the new locking system with a round key, you are assured of optimal safety in every working environment. This tool trolley brings together many of our customers' most demanded features and can be customised with side-mounted accessories.



DRAWER CONFIGURATION

5-DRAWERS



6-DRAWERS



7-DRAWERS



8-DRAWERS



COLOURS

NO. DRAWERS	5	6	7	8
ORANGE RAL2009	1472K5	1472K6	1472K7	1472K8
RED RAL3001	1472K5RED	1472K6RED	1472K7RED	1472K8RED
BLUE RAL5002	1472K5BLUE	1472K6BLUE	1472K7BLUE	1472K8BLUE
BLACK RAL9005	1472K5BLACK	1472K6BLACK	1472K7BLACK	1472K8BLACK

More colours?

Design your own storage solution with our BETMS configurator. Ask your dealer for more information.

SHOCK-PROTECTING CORNER BUMPERS

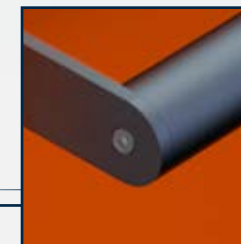
Protect against collisions

The Storage HUB E72 is equipped with shock-protecting corner bumpers made of fibre-strengthened plastic so it can easily take a bump. The rounded design with no sharp edges minimises the chance of injuries and damage to surrounding objects.



Strong steel top

The one-piece bench top with steel rim strengthens the core of the Storage HUB E72. It also prevents your tools from falling off.



A solid handle

The Storage HUB E72 has a solid handle in a user-friendly design. Need more control? Then we can attach a second handle to the other side.



DRAWER CAPACITY UP TO 30 KG.



75,000 CYCLES

Drawers which can open fully

Thanks to the sliders with ball-bearings, the drawers glide very smoothly, can open all the way and have a capacity up to 30 kg.



Rubber wheels for any surface

The noiseless rubber wheels ensure maximum stability, making the trolley easy to manoeuvre, even on irregular surfaces. The wheels will leave no floor marking, are resistant to most common lubricants and have a static capacity of 600 kg.



PERFORMANCE



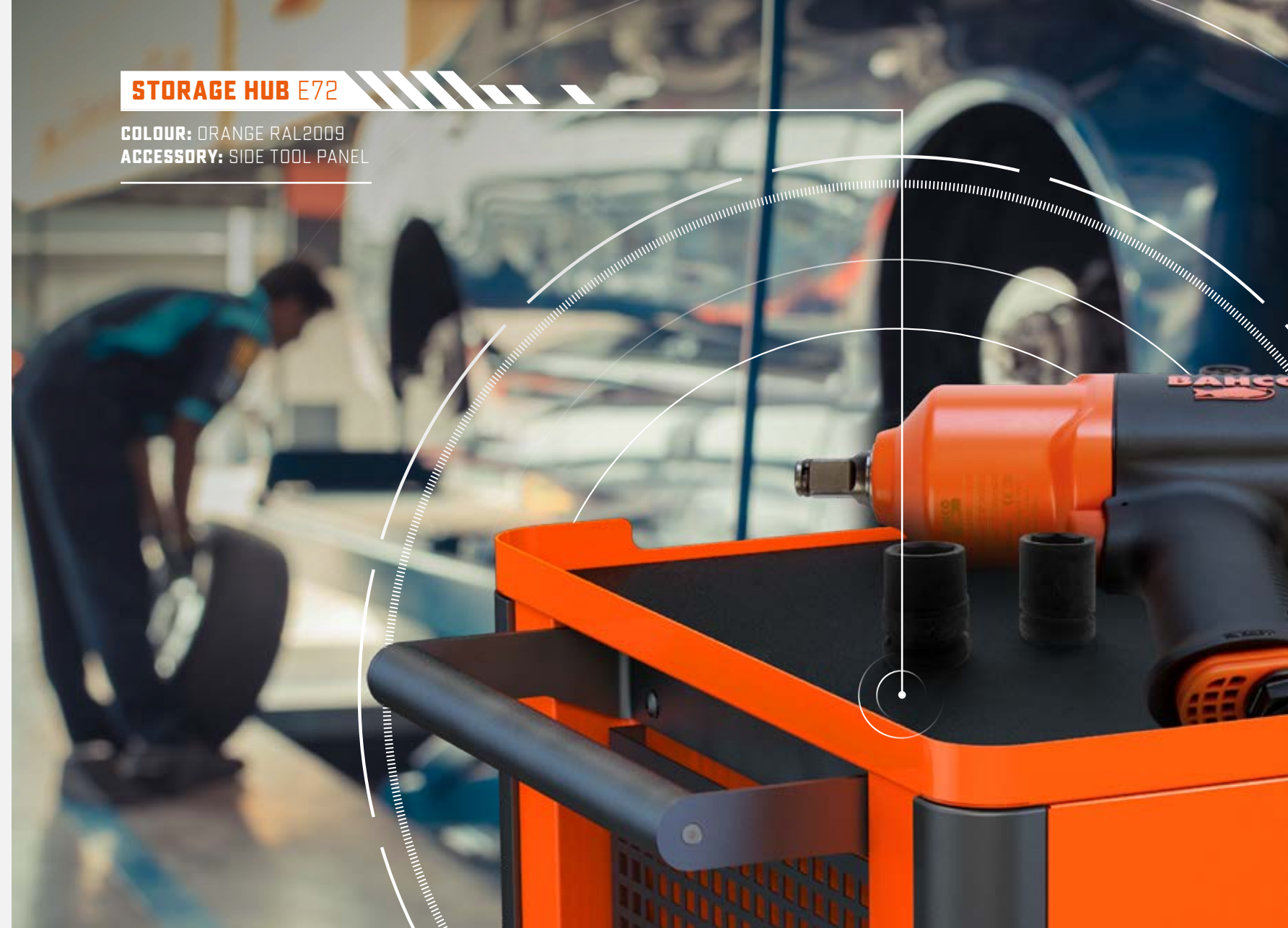
ANTI-THEFT ROUND LOCKING SYSTEM

Locking with a round key

The round locking system protects the Storage HUB E72 against theft.
A compact key holder with a user-friendly grip is also available, including two keys.

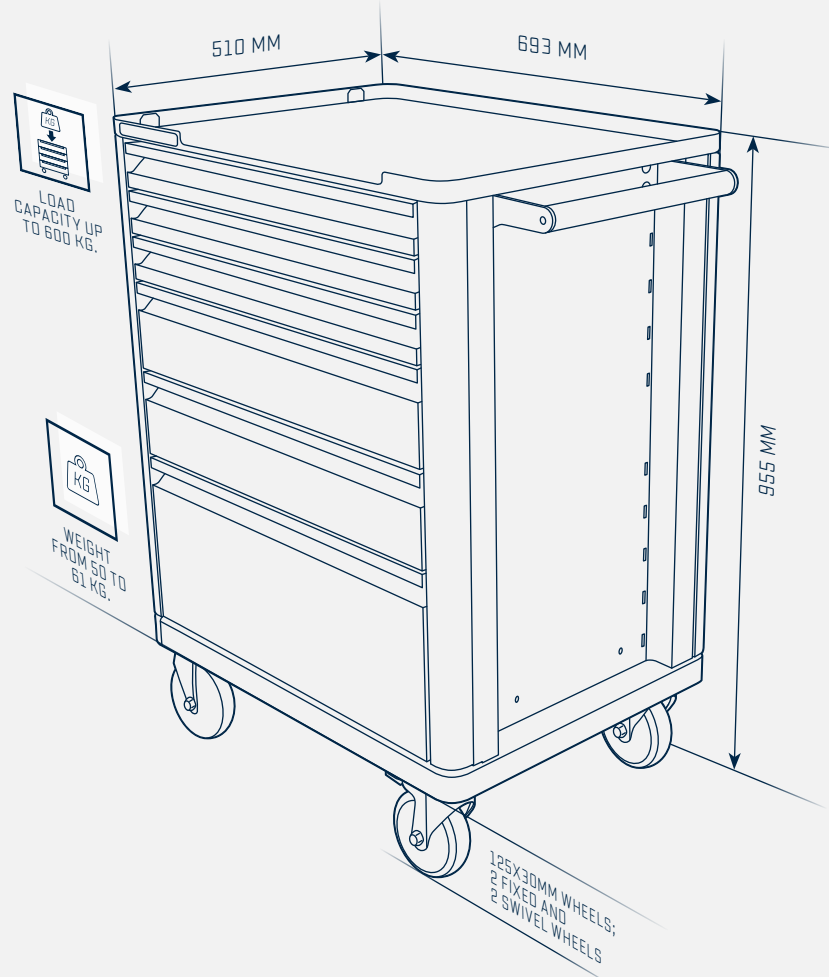
STORAGE HUB E72

COLOUR: ORANGE RAL2009
ACCESSORY: SIDE TOOL PANEL



PRODUCT DETAILS

SIZE:	26"
WEIGHT:	5 drawers: 50 kg
	6 drawers: 55 kg
	7 drawers: 58 kg
	8 drawers: 61 kg
LOADING CAPACITY:	600 kg
DRAWER CAPACITY:	up to 30 kg
COLOURS:	Orange, Black, Red or Blue
NO. DRAWERS:	5 / 6 / 7 / 8
CUSTOMIZABLE:	Yes (BETMS Configurator)
LOCKING SYSTEM:	Yes



XPAND ACCESSORIES

INTERCHANGEABLE BENCH TOP	Chestnut wood	1472K-ACTW
SIDE TOOL PANEL	Anti-rust coated steel body for adding BAHCO hooks range	1477K-AC22
HOOK SYSTEM	19 different hook types available	1495TP-
DOCUMENT HOLDER	Anti-rust coated steel body	1477K-AC19
SPRAY CANISTER HOLDER	Anti-rust coated steel body	1477K-AC20
ROLL HOLDER	Anti-rust coated steel body	1477K-AC18
POWERTOOL HOLDER	Anti-rust coated steel body	1477K-AC21



STORAGE HUB E77 'PREMIUM'

COLOUR: BLACK RAL9005

ACCESSORIES: CHESTNUT WOOD BENCH TOP, LAPTOP BOARD, POWERTOOL HOLDER

QUICK OVERVIEW



CORE	E72	E77 'PREMIUM'	FUNCTIONALITY	E72	E77 'PREMIUM'
DUAL-WALLED CASE	•	•	INTERCHANGEABLE BENCH TOPS	•	•
SCRATCHPROOF POWDER COATING	•	•	MODULAR ATTACHMENT SYSTEM		•
PERFORATED SIDE PANELS	•	•	BUILT-IN CHAMBERS		•
SOLID STEEL CONSTRUCTION	•	•	STRONG STEEL TOP	•	
SAFETY	E72	E77 'PREMIUM'	PERFORMANCE	E72	E77 'PREMIUM'
U-SHAPED HANDLE HANDLE		•	RUBBER WHEELS	•	•
SHOCK-PROTECTING CORNER BUMPERS	•	•	FULL OPEN DRAWERS	•	•
1DAAT-SYSTEM		•	ROUND MASTER-LOCKING SYSTEM		•
DUAL-BRAKING SYSTEM		•			



XPAND ACCESSORIES





EVERYTHING AT HAND, THANKS TO THE BAHCO XPAND ACCESSORIES

Every project is different and every professional has his own way of handling it. That's why you can add various Bahco Xpand accessories to the Storage HUB which simplify the project while improving efficiency and work safety. Unlike many other accessories, these can be attached easily and with total stability.

Our wide range of accessories lets you create the tool trolley which supports you best. Whether you need extra storage bins, a paper holder, a laptop board or an extra tool panel. The development of new accessories is ongoing, as we look for new add-on ideas continually. That makes the Storage HUB one of the world's most multifunctional storage systems. Now and in the future.

XPAND
ACCESSORIES

THE XPAND MODULAR SYSTEM, SO EXCEPTIONALLY ADAPTABLE

Xpand is a modular system, which lets you personalise your tool trolley to your needs. With the powerful claws you secure your accessories to the removable guiding poles. Changing different accessories is simple too. Your trolley becomes a highly multifunctional tool trolley, improving your work performance and efficiency.



Removable guiding poles

The removable metal poles form the basis for the Bahco Xpand accessories which you can attach on the top of the Storage HUB E77 'PREMIUM' and Top-chest. The guiding steel poles have an anti-rust coated steel body and are available in 2 lengths.



E77



E77

Solid claw and ring mounting

All the top accessories can be mounted with a strong claw and adjustable ring. The unique, patented and functional claw lets you attach all your accessories to the trolley in an instant.





STORAGE HUB E77 'PREMIUM'

COLOUR: ORANGE RAL2009

ACCESSORIES: MDF BENCH TOP, POWER TOOL HOLDER, WORK DOCUMENT HOLDER

BAHCO X-PAND ACCESSORIES



INTERCHANGEABLE TOPS FOR A MULTIFUNCTIONAL TOOL TROLLEY

Optimal flexibility! The removable middle section lets you transform your work area to suit your needs. The modular bench tops have been designed for the most varied working conditions and are available in the following materials:



Composite (standard)

The composite bench top with built-in storage chambers combines a heavy-duty structure with a soft-touch finish, creating the perfect work area which is resistant to the most common lubricants.



Chestnut wood

Because of its excellent shock absorbing ability, the varnish finishing makes this 40 mm wooden bench top the best solution. It is also resistant to the most common lubricants.



MDF

The 40 mm thick MDF is just as strong as the chestnut wood top, but does not contain knots or rings, making it more uniform than natural woods.



Stainless steel

The stainless steel top is ideal for sterile environments. The inside is made of MDF, making it perfect for absorbing shocks.



E77

E87



E77

Laptop board

This flexible laptop board can tilt up to 90 degrees and rotate through 360 degrees. The curved flaps prevent your laptop from falling. Made from steel and coated in a neutral black colour.

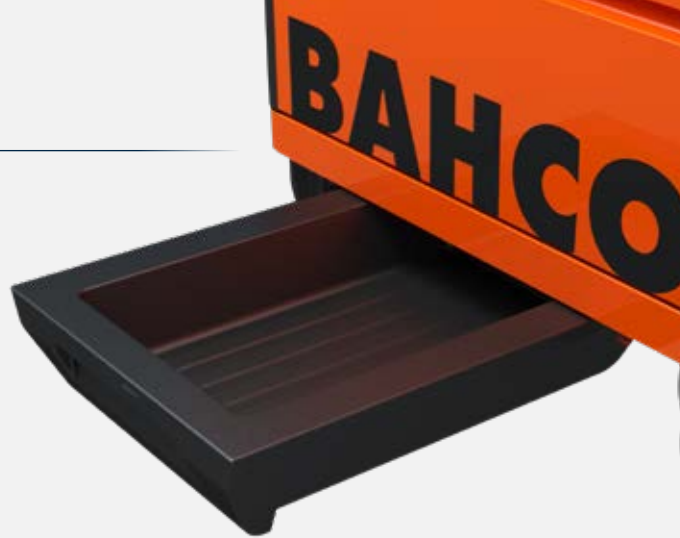


Work document board

Thanks to this document board you will always find pen and paper in the right place. It is height-adjustable, can tilt up to 90 degrees and rotate through 360 degrees. The holder is supplied with four magnets. Manufactured from steel and coated in a neutral black colour.



E77



Bottom drawer

Create extra storage capacity for the Storage HUB E77 'PREMIUM' with this bottom drawer. Ideal for your robust tools, for example. The plastic drawer can carry up to 20 kg, is easy to install and is supplied with stainless steel sliders and screws.



E77

Jacket holder

The jacket holder is completely height-adjustable to your needs. Made from steel and coated in a neutral black colour.



E77

Windshield supports

This pack of four supports is ideal for supporting large objects like a car window, for example. The solid supports have a round base and the shape moulds to any object. You can also set the height easily with an extra pack of adaptive supports. Made from steel and coated in a neutral black colour.



E77





STORAGE HUB E77 'PREMIUM'

COLOUR: GREY RAL9022

ACCESSORIES: CHESTNUT WOOD BENCH TOP, TOP TOOL PANEL, TOP SIDE TOOL PANEL

Top tool panel

Do you need more storage capacity for your tools? This panel adds storage capacity on top of your trolley using the existing Bahco hooking system. It also creates easy access to your tools when working in different positions. Made from steel and coated in a neutral black colour.



E77



Top side tool panel

The top side tool panel provides extra storage for your small tools on the top of your Storage HUB. Use the panel in combination with the Bahco hooking system. It also creates easy access to your tools when working in different positions. Manufactured from steel and coated in a neutral black colour.



E77

Side tool panel

This panel adds extra storage capacity to both sides of your trolley using the existing Bahco hooking system. Made from steel and coated in a neutral black colour.



E72

E77



Bahco hooking system

Organize your tools how you want it by adding the hooks to the different tool panels. The L and U shaped hooks are made from steel and are available in different lengths.



E72

E77



DO YOU WANT TOTAL ACCESS CONTROL?

Then choose one of the locking upgrades:



Master-key upgrade

The master-key upgrade lets you use only one key to lock multiple tool trolleys.



MIFARE locking system

The MIFARE locking system lets you use a smartcard to open your Storage HUB.



PIN code locking system

Would you prefer electronic protection? Then choose locking with a PIN code.



Roll holder

A clean workshop begins with this roll holder. Its eye-catching orange serrated teeth let you tear off paper with one hand. Made from steel and coated in a neutral black and orange colour.



Power tool holder

This holder is designed to accommodate most power tools, keeping them out of the way yet in easy access. Manufactured from steel and coated in a neutral black colour.





Document holder

This document holder ensures that you have all your important documents at hand. Made from steel and coated in a neutral black colour.



Spray canister holder

This spray canister holder can accommodate any type of bottle or canister. Made from steel and coated in a neutral black colour.



STORAGE HUB E72

COLOUR: RED RAL3001

ACCESSORIES: DOCUMENT HOLDER, SPRAY CANISTER HOLDER

BAHCO XPAND ACCESSORIES

You can add various Bahco Xpand accessories to the Storage HUB which simplify the project while improving efficiency and work safety.



COMPOSITE BENCH TOP
1477K-ACTP

E77 E87



CHESTNUT WOOD BENCH TOP
1477K-ACTW

E77 E87



REMOVABLE GUIDING POLE LONG
1477K-AC28

E77



SOLID CLAW AND RING MOUNTING
1477K-AC11

E77



LAPTOP BOARD
1477K-AC15

E77



WORK DOCUMENT BOARD
1477K-AC14

E77



BOTTOM DRAWER
1477K-AC10

E77



JACKET HOLDER
1477K-AC17

E77



MDF BENCH TOP
1477K-ACTD

E77 E87



STAINLESS STEEL BENCH TOP
1477K-ACTSS

E77 E87



REMOVABLE GUIDING POLE SHORT
1477K-AC29

E77



WINDSHIELD SUPPORTS
1477K-AC16

E77



TOP TOOL PANEL
1477K-AC12

E77



TOP SIDE TOOL PANEL
1477K-AC13

E77



SIDE TOOL PANEL
1477K-AC22

E72 E77



HOOK SYSTEM

E72 E77



CHESTNUT WOOD BENCH TOP
1472K-ACTW

E72



MIFARE LOCKING SYSTEM
1477K-AC25

E77 E87



PIN CODE LOCKING SYSTEM
1477K-AC24

E77 E87



MASTER-KEY UPGRADE

E77 E87



DOCUMENT HOLDER
1477K-AC19

E72 E77



SPRAY CANISTER HOLDER
1477K-AC20

E72 E77 E87



ROLL HOLDER
1477K-AC18

E72 E77 E87



POWERTOOL HOLDER
1477K-AC21

E72 E77 E87



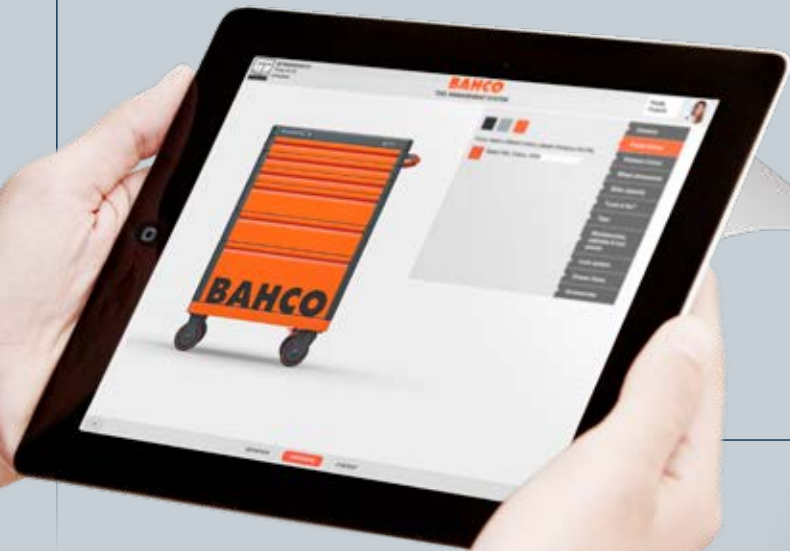
BAHCO ERGO TOOL MANAGEMENT SYSTEM





ULTIMATE TOOL MANAGEMENT WITH BETMS

The Bahco Ergo Tool Management System (BETMS) enables us to respond directly to your specific needs. That's because BETMS provides a tailor-made tool management solution for every working environment. Together with your Bahco sales manager, you design your own system with maximum ease.



CREATE YOUR OWN TAILOR-MADE SOLUTION

- CHOOSE YOUR HARDWARE
- SELECT A PAINT COLOUR
- PICK A BENCH TOP
- CHOOSE YOUR ACCESS CONTROL
- ADD DIFFERENT ACCESSORIES
- CONFIGURE THE DRAWERS
- DESIGN THE FOAM INLAYS
- CREATE THE PRODUCT MIX THAT FITS YOUR NEEDS
- MARKING IN THE FOAM INLAY FOR TOOL CONTROL (FOO)
- PERSONALIZE TOOLS WITH LASER MARKING

Discover the endless possibilities of our unique BETMS system. Ask your BAHCO dealer for more information or visit www.bahco.com



A PERFECTLY ORGANISED TROLLEY WITH FIT&GO

The Fit&Go system contains a wide range of ready-to-use foam inlays with tools for your drawers. Based on our market knowledge and customer needs, we've created hundreds of different compositions from which you can choose. The Fit&Go system contains three different sizes (1/3, 2/3 and 3/3) to enable you to organise your tool drawers exactly as you want.



BAHCO Fit&Go foam inlays

Our wide range of ready-to-use foam inlays is resistant to most common lubricants, petrol, water and UV light. We make the Fit&Go foam inlays ourselves, in compliance with the most stringent environmental requirements.



1/3 - 181 MM

2/3 - 362 MM

3/3 - 543 MM

+++++++ +++++ ++

Push system

The foam inlays have a smart push system, so you can raise the tool with one finger.



FOD system (Foreign Object Damage)

All inlays are coloured in black and a bright colour, so that you can see immediately whether tools are missing. The bottom layer is available in red (standard), blue, yellow and green.





STORAGE HUB E77 'PREMIUM' & E87 TOP-CHEST

COLOUR: GREY RAL9022

ACCESSORIES: SIDE TOOL PANEL, ROLL HOLDER



Где купить:

ООО "КОМПАНИЯ ОПТУЛС"

г.Москва, ул.Иловайская, д.3, стр.2

Tel.: +7 (495) 646-00-96

E-Mail: sale@opttools.ru

Internet: www.opttools.ru

WWW.BANCO.COM