

# Enclosure systems and accessories Klippon® Protect

Version 2022



**Weidmüller** 

# Orange Selection

## Quick and easy planning

As a planning engineer, do you want to select products easily and receive them quickly? From a partner you can rely on? Then plan with the Orange Selection from Weidmüller in the future. The Orange Selection items are always available, carefully selected and the portfolio consists of more than 1,500 items to fully cover your standard needs.

If your order is placed before 3:00 pm, we guarantee that your order will be on its way the very next working day.

For even more efficient planning and production processes, we will of course provide all articles in digital form. CAD, ETIM and eClass data are available in our online product catalogue **[catalog.weidmueller.com](http://catalog.weidmueller.com)**

We have summarised all the advantages of the Orange Selection on our website.

Check it out: **[www.weidmueller.com/orange-selection](http://www.weidmueller.com/orange-selection)**



# Enclosure systems and accessories

## Catalogue 5

---

### Enclosure systems and accessories

Introduction

---

Klippon® Protect

---

Enclosures

---

Cable entries

---

Cable entry system

---

Tools

---

---

### Appendix

Service and support

---

Technical appendix

---

Index

Search according to type or order number

---

# Enclosure systems and accessories

## Introduction

Page A.2



## Klippon® Protect

Page B.2



## Klippon® TB

Page C.12



## Klippon® EBx

Page C.70



## Klippon® EBi

Page C.98



## Klippon® STB

Page C.114



## Klippon® K

Page C.148



## Klippon® POK

Page C.184



## TBF Range

Page C.230



## MPC Range

Page C.238



## FPC Range

Page C.250



## Standard cable glands - Plastic

Page D.6



**Standard cable glands - Brass**

Page D.8



**EMC cable glands**

Page D.11



**Cable glands - stainless steel**

Page D.13



**Klippon® Cable glands**

Page D.16



**Accessories**

Page D.34



**Blanking plugs**

Page D.45



**Compensating elements**

Page D.50



**Adapter**

Page D.53



**Cable entry system**

Page E.2



**Cable entry plates**

Page E.10



**Tools**

Page F.2





# Introduction

---

<b>Introduction</b>	Introduction	A.2
	Klippon® Services	A.6

---

# Digitalisation presents you with many new challenges

## We will support you to master them

The social and economic changes being caused by digitalisation are also pushing industrial production towards new, data-based services that need to be integrated into the value creation chains in a profitable manner.

Our objective is to support you with the implementation of these new structures and processes right from the start, and to successfully accompany you on new paths in the Industry 4.0 era.

Thanks to the entire range of Weidmüller products, the use of our local production and assembly facilities, and our global sales network, we can lay the very best foundations for a successful partnership with you, our customer.





Whether decentralisation, modularisation, data consistency and transparency or the implementation of completely individual applications in the IoT environment: the factory of the future needs to be able to take on a wide variety of challenges.

With our Klippon® products and services, we have created innovative and future-oriented solutions while setting new standards for applications within a wide range of industries.



More information about our Klippon® products and services at [www.weidmueller.com/KlipponProtect](http://www.weidmueller.com/KlipponProtect)

**Dive into the Klippon® world and discover our innovative products and services.**



# KLIPPON® PROTECT



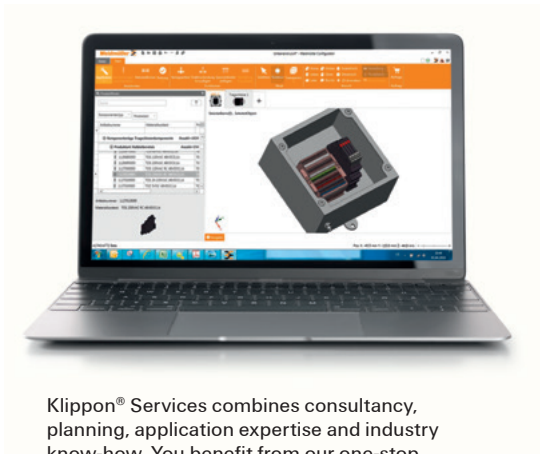


## It's Klippon® Bringing excellence together

For more than 50 years, Klippon® has been synonymous with innovation, competence, and quality of products and services in the automation technology. Klippon® Services is the most recent extension to the well known, proven Klippon® Connect and Klippon® Protect products. Klippon® Services provides innovative software and assembly services. With Klippon® we are your reliable partner throughout the complete value creation process. Create your competitive advantage with Klippon®.

### Your special advantages:

The flexible Klippon® Protect enclosure system is the perfect addition to our Klippon® Connect range of terminal blocks. You can rely on our mounted enclosures to offer a custom fit to your requirements and provide excellent protection. Klippon® Services completes our products range with optimal support for your processes.



Klippon® Services combines consultancy, planning, application expertise and industry know-how. You benefit from our one-stop production services. Thereby you will reduce costs, increase efficiency, and simplify quality management. We guarantee quick, quality-focused production and order-based availability. We deliver even individually assembled products anywhere within a short time.



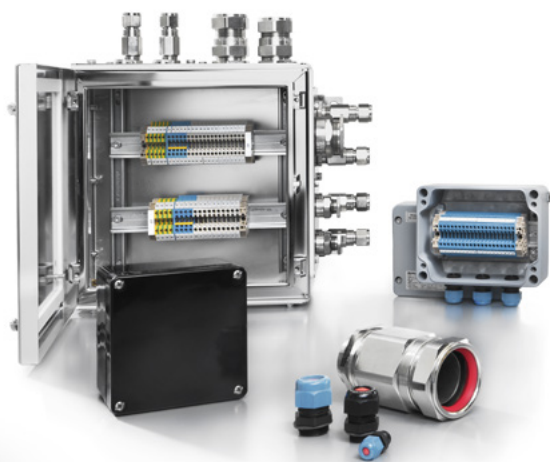
Klippon®  
Services



Klippon® Connect offers a wide range of tailored application products, universal terminals and in-process services. A complete range of standard solutions and application-specific products, including all conventional connection technologies and functions for your individual application.

Klippon®  
Connect

Klippon®  
Protect



With Klippon® Protect, you can choose from a wide range of universal and application-specific enclosures. These products cover all relevant approvals required for use in industrial and explosive risk zones. They are flexible enough for optimal adaptation to your requirements.

# Klippon® Services – expertise for your requirements

## Our service connects worldwide

Planning, engineering, and production processes have to be completed with ever greater speed, precision, and efficiency. Such an increase in efficiency needs innovative tools and processes that optimally support the entire process of product creation and assembly.

With Klippon® Services, we offer a comprehensive, digitalised support for planning and developing, offering and ordering, and assembly and delivery of your distinct product.

By bringing together the entire value chain – backed by efficient software tools, extraordinary expertise, and a technologically leading production – we are answering your requirements concerning a future-orientated, ready-to-install assembly.

### Your special advantages:

One-stop configuring, ordering, and delivery of the assembled product: With Klippon® Services you benefit from greater flexibility in your project business. Our services span from reliable planning and professional engineering to manufacturing in perfect quality.



**An order will dispatch after just four days from Germany when a certain service level is selected. Order quantities start at one.**



Configuration and ordering are simple with the Weidmüller Configurator [www.weidmueller.com/wmc](http://www.weidmueller.com/wmc)

# Klippon® Services



## Fast Delivery Service

Obtain offers 24/7 and within minutes, including directly orderable article numbers. The Weidmüller Configurator (WMC) for planning and configuration is key for consistent processes.



## Engineer to Order

We offer highly qualified engineering service for standard or modified products.



## Customised Solutions

Our extensive customer consulting, powerful project management, and flexible production enable individual, customised solutions.

## Efficient digital engineering

### Weidmüller Configurator (WMC) integrates CAE access and direct offer

#### The choice is yours

Within Klippon® Services the WMC supports you step-by-step as you select and configure your assembled terminal strips and an extensive range of enclosures, including accessories and further Weidmüller products. You decide whether you want to carry out the complete configuration in WMC or whether you want to import data sets from your CAE system and simply transfer them back again after making final adjustments in the WMC. Whichever way you decide to go, you will benefit from centralised documentation that is always up to date, you will avoid transmission errors and you will no longer have to share your sensitive data with a third party. Using STEP, the universal 3D CAD exchange format, you can now also export your WMC solution directly into your CAE system, ensuring complete data consistency in all your systems.

#### Your special advantages:

Configuration is simple, safe, and convenient because of user-friendly operation, distinct design, and integration in your engineering workflows from planning with CAE to documentation.

## Three reasons to start using the Weidmüller Configurator now:

### 1. Proven configuration designs in real 3D

Digital product information is based on the classification standard eCI@ss advanced. An integrated plausibility and collision control with full digital documentation ensure that your configuration is 100 % reliable.

### 2. Seamless CAE integration

Integrated interfaces enable the simple exchange of product data between the WMC and all common engineering tools, such as Zuken E<sup>3</sup>, EPLAN ElectricP8 or ProPanel.

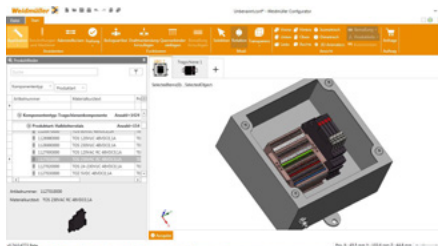
### 3. Interfaces for automated manufacturing

The WMC provides all necessary digital information for a full automation, such as subsequent assembly, marking with M-Print® PRO, and wiring. This is the key for the fast delivery service.



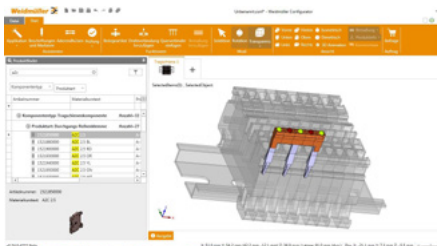
Configuration and ordering are simple with the Weidmüller Configurator  
[www.weidmueller.com/wmc](http://www.weidmueller.com/wmc)





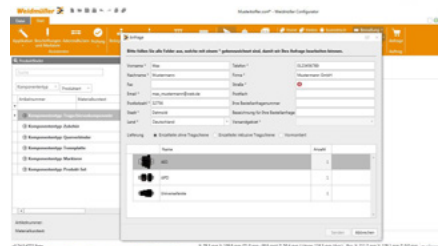
**Full engineering support**

The product data can be used in engineering systems such as EPLAN Electric P8 or Zuken E³ series. 3D models are available for panel set-up.



**Helpful wizard system**

The intelligent wizard function documents every step in which a component is assembled and only allows permissible configurations. Mistakes are corrected automatically.



**Integrated request function**

The selected components can be requested directly – as individual components, pre-installed on a terminal rail, or as an assembled enclosure.

# Klippon® Services – focus on your core business

## „Fast Delivery Service“ enables the delivery of assembled products at short notice, even with Ex approval

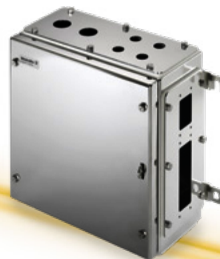
Today you are confronted with tough challenges in mechanical and plant engineering as well as in control cabinet production. On the one hand, the production of your products is becoming increasingly made to order/ custombuilt and a lot more complex. On the other hand, you have to deal with high price pressures, tight deadlines and short-term change requests. In addition, many products are requested in small quantities.

To meet these growing demands, you need ever more efficient planning and manufacturing processes - and you need to be able to rely on 100% fast and reliable delivery. With our Fast Delivery Service, we offer you both. The integrated concept simplifies your planning, accelerates your manufacturing processes and guarantees the delivery of individually assembled and ready-to-install terminal strips or enclosures within the shortest possible time. In this way, you reduce your costs, increase your flexibility and stay one step ahead of your competitors.



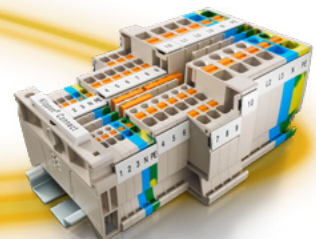
### Klippon® Connect and Klippon® Protect

Assembled enclosures with terminal strip, add-on components and optional Ex approval.



### Klippon® Protect

Individual empty enclosures with holes, threads or cut-outs according to your specifications – optionally unassembled, equipped or with add-on parts.



### WMC – Digital Engineering

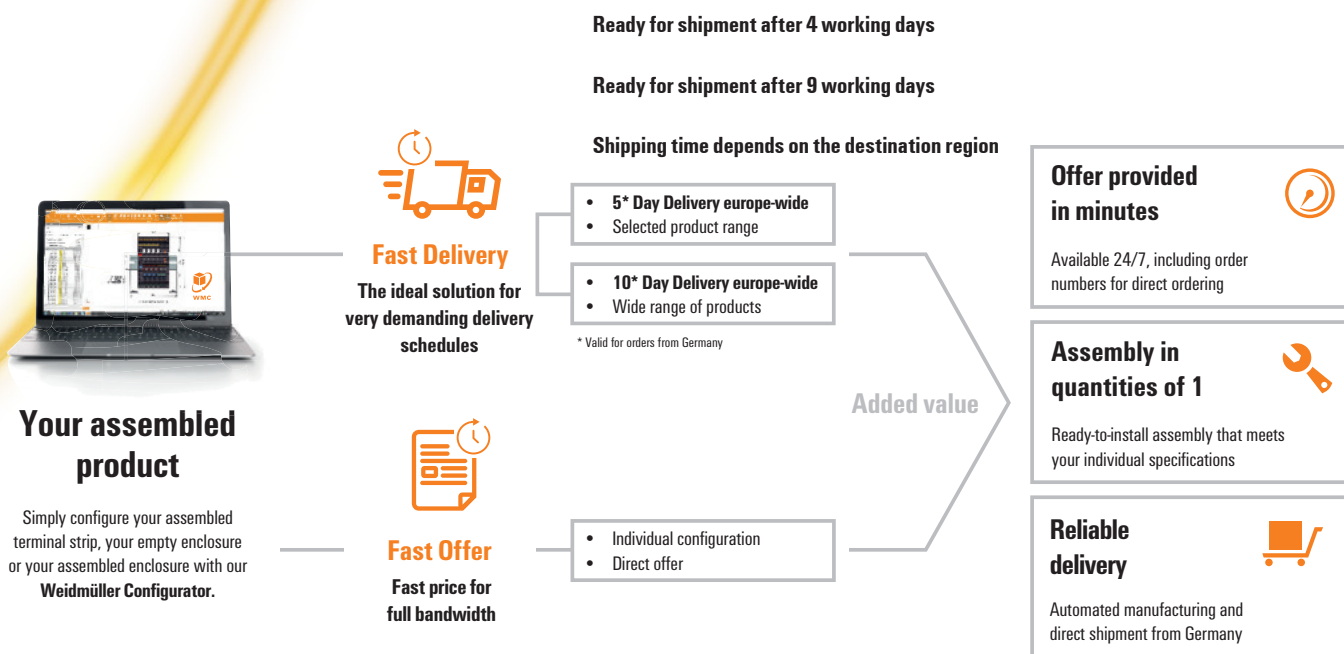
Our Weidmüller Configurator (WMC) gives you access to the “Fast Delivery Service”. You can import directly your CAE data.

### Klippon® Connect

Ready-to-install assembled terminal strips including electronic components - individually manufactured according to your specifications.

# Determine your own delivery time thanks to Fast Delivery Service

## We offer the choice between 3 service levels



## Your advantages at a glance with our Fast Delivery Service



### Reduce your costs

Your plants are becoming more and more specific and complex. Therefore, you have to stock many required components in your warehouse. With Fast Delivery, you receive complete assembled products – and can significantly minimise your purchasing and storage costs.



### Increase your flexibility

More and more often you have to manufacture small quantities of plants and be prepared for short-term changes. With Fast Delivery, you get individual terminal strips and enclosures from batch size 1 – and you receive them ready for installation. This increases your flexibility.



### Meet your delivery commitments

You must complete and deliver your individual plants within tight time frames. Otherwise, your customers face high costs due to delays and production downtimes. With Fast Delivery, you can speed up all your processes and reliably meet your delivery commitments.

# With Klippon® Services you benefit from optimal support “Engineer to Order” – applications, based on your design

In a globally-orientated world, automation technology functions are becoming more complex by facing ambitious goals toward energy efficiency and smart production. We are your reliable partner for the best connections in Industrial Connectivity with our standard or customised products.



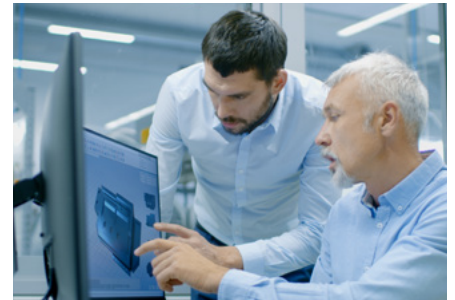
### Planning

You can rely on the support of our worldwide network of industrial managers, who know the challenges you face and who can assist with your particular applications.



### Engineering

After receiving your requirements, our experts analyse together with you the individual application and start the development process.



### Worldwide engineering network

Within our global engineering network, we are combining our expertise with your requirements – worldwide. This expertise allows us to assist you with advice and planning support toward resolving together the everyday challenges of your applications.

# Klippon® Services – plan, install, operate

## Individual projects need “Customised Solutions”

Our drive is your efficiency. Therefore we accompany you in all phases of your individual project and continuously develop our Klippon® Services product range. Throughout the entire duration of the project, professional project management is at your side so that you know that your products are in good hands up to delivery and beyond. The result are tailor-made products that are precisely tailored to the specific requirements of your project.

### Consulting

Our application experts advise you on the development of your individual project solution.



### Designing and Prototyping

Engineers create design studies and prototypes together with our experienced designers.



### Planning

A flexible, automatised production process ensures high quality products, whether standard or customised.



### Operation

Count on our solution-orientated after sales service combined with a complete traceability of the assembled products.



### Installation

Reduce your single part orders and stock while we focus on your final product.



### Assembly

We combine excellent products for your individual solution. Bringing added value for you and your customers.

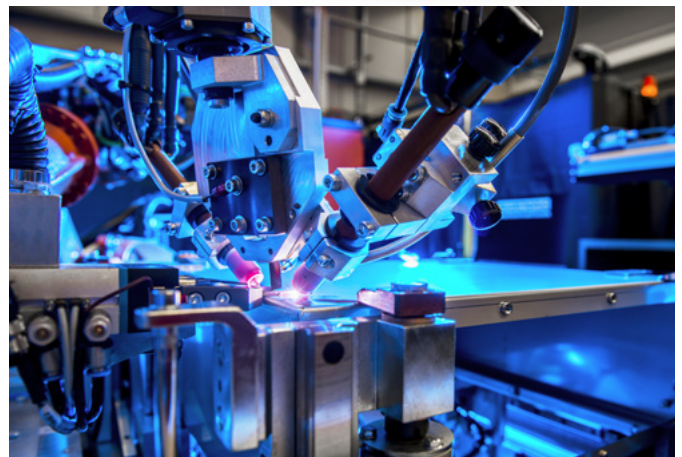
# Manufacturing expertise at the highest level

## Precision and reliability for your products

Our engineering and manufacturing expertise influences decisions in all areas of modern connection technology. It therefore plays an integral part of every solution. A variety of customised configurations can be constructed and produced at our worldwide assembly facilities according to individual requirements. All this based on maximum process and manufacturing reliability.



Continuous data management enables automated production and makes Industry 4.0 tangible.



Automated processes – here shown for our Klippon® TB enclosure range – ensures a reliable and consistent production process.



Whether you need modified products, pre-assembled terminal rails or complete devices for individual applications: we produce the solutions developed for your application quickly and flexibly.



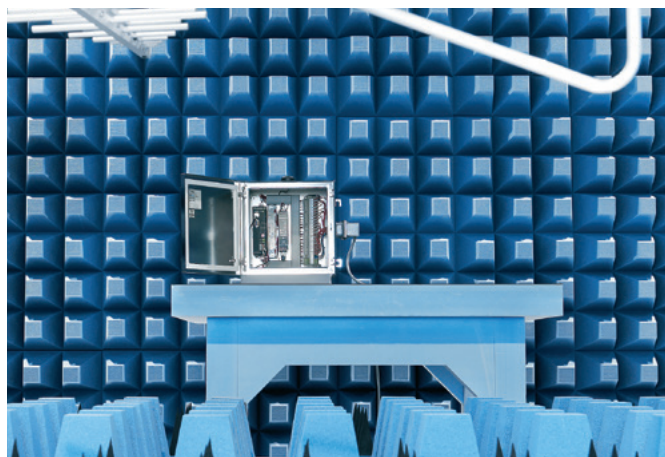
## When quality is the key

### You demand perfection – we take care of every detail

In the face of the international competition, you demand that all your equipment meets high safety, quality, and performance standards. Our products and services will support you to achieve these goals. We support you to advance new ideas that provide real value for your plant operation. After over 50 years of experience, we can determine the ideal combination of electrotechnical components which best suit your plant. We take into account your plant's specific conditions, including the local standards at its operation site. That's our definition of service.



Our laboratory assures the high quality and functionality of products.



Right from the start, we check exactly which components, materials, and systems are suitable for your application.



With our state-of-the-art processing technology, we ensure the highest quality during production and assembly.



We guarantee fast, quality-orientated production and order-ready product availability.





# Klippon® Protect

---

<b>Klippon® Protect</b>	Universal program	B.2
	Application program	B.4
	Industrial applications	B.6

---

# Klippon® Protect universal enclosure

## Functional - For the highest demands

### B

We designed the Klippon® Protect enclosure ranges to satisfy the extraordinary protection requirements for field applications. They provide outstanding high-performance features that satisfy the toughest demands within every industry and every application. The universal enclosures Klippon® Protect are made of stainless steel, aluminium, or plastic. Either one guarantees excellent protection for your assembly. With these robust enclosures, you can implement various field applications to suit your requirements. The matching system accessories enable simple integration, expansion, and customisation.

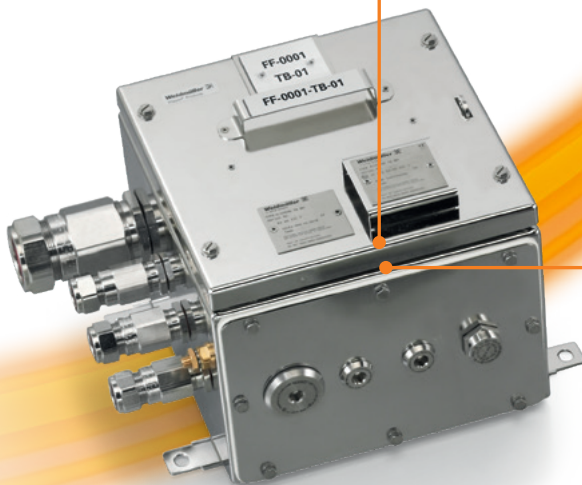
#### Your special advantages:

- Outstanding performance even in extreme environmental conditions
- Robust and secure for maximum protection requirements
- Approved based on the latest international quality and safety standards



#### Reliable protection

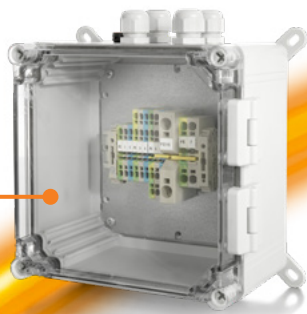
The Klippon® TB has an integrated duct keeping contamination and moisture from penetrating when the enclosure is open. The outer earthing bolt is equipped with an IP67-certified seal mechanism and is protected against accidental rotation.



#### Temperature and sealing characteristics

All Klippon® TB and Klippon® STB enclosures are equipped with a silicone seal. It protects applications in extreme temperature conditions.

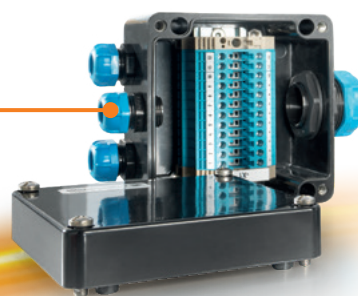




**Versatile lid design**  
The TBF, FPC and MPC enclosures are available with either transparent or grey lids.



**High IP protection**  
The Klippon® K aluminium enclosures are equipped with fully closed seals without adhesive points. The seal ensures an IP protection level from IP66 and up to IP68 – subject to use.



**Closed moulded gaskets**  
The Klippon® POK polyester enclosures gaskets are made of either silicone or chloroprene. The robust and secure sealing enhances ingress protection and increases the performance of each enclosure.



**Cable Glands and Cable Entry Systems: perfectly fulfilling your application needs**

We offer a variety of add-on components such as cable glands for a multitude of purposes and applications in addition to our extensive Klippon® Protect range. The supplementary cable entry system Cabtite allows connecting a pre-assembled cable to an installation enclosure or cabinet.

# Klippon® Protect application enclosure

## At home in your markets

### B

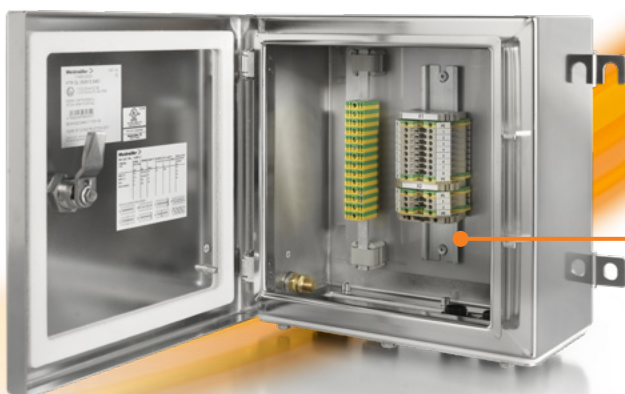
The Klippon® Protect solutions offer a wide range of standard industrial applications and explosive environments applications. The following overview of our Klippon® Protect range will give you an insight into its possibilities, including finding an individual solution.

#### Application range

Our Klippon® Protect application range provides solutions for monitoring and safety, measurement and control technology, and power distribution. These application solutions are based on high quality and comprehensive approvals for explosive risk zones.

#### Your special advantages:

- Consistent enclosure design for a wide range of applications
- Various standard solutions for maximum safety, reliable functionality and low follow-up costs
- Certified for potentially explosive atmospheres and standard industrial applications



#### Power distribution boxes and interfaces

In a complex environment, the efficient and reliable distribution of electrical energy requires optimally designed interface solutions that respond to the special features of the application. Our high-current terminal solutions offer an excellent interplay with our certified terminals with weather-resistant Klippon® Protect enclosures.

**Monitoring and Safety**

Through the assembly of units, we provide a myriad of monitoring and safety solutions; including proximeters for vibration measurement, temperature transmitters for monitoring of operating temperature, and eddy current sensors for non-contact distance measurement chains.



Klippon® Protect

B

**Measurement and Control systems**

Tailored to your respective requirements, the Klippon® Control Station combines control devices and status displays with various electronic components. You receive a turnkey plug-and-play solution – including all required approvals.



**Harmonisation – the key to market success**

Klippon® Protect is individually tailored to meet the changing and extremely harsh environments of the different industries. Certified to international standards, they also meet the latest ATEX and IECEx regulations for potentially explosive atmospheres in process industries. They have certifications for use in various standard industrial applications, such as automation, railway, transportation, and energy.

## Benefit from innovative automation concepts as a success factor Klippon® products for better performance and more efficient processes

### B

The advancing digitalisation of industrial manufacturing processes places ever higher demands on automation technology. Decentralised systems with high flexibility and easy operation are trend. System design, installation process, and plant operation are becoming more complex.

Klippon® products and services are optimally adapted to the requirements of modern automation concepts. They combine highest quality with excellent flexibility and performance – and thus become an integral part of your automation solutions. In the versatile Klippon® product portfolio you will find everything you need to optimise your production systems. The choice is yours.

#### Your special advantages:

- Wide range of products and services for every application
- Optimised for convenient planning, simple installation and efficient maintenance
- Highest product quality for reliable function and high durability
- Tested safety and conformity to standards
- Perfectly suited for flexible, decentralised automation concepts





**Klippon® K**  
 Klippon® K aluminium enclosures ensure a high level of system availability as well as the quick commissioning of your machines. Excellent shock, vibration, and temperature resistance combined with corrosion-resistant materials and surfaces make these enclosures particularly secure and long-lasting.



**Klippon® EBi**  
 Klippon® EBi stainless steel enclosures are suitable for both indoor and outdoor use, and can be combined with Klippon® Connect and Klippon® Protect components. They are extremely corrosion resistant and insensitive to dust and spray water. Ideally suited to the decentralised control of your system.



**Cabtite**  
 The Cabtite cable management system allows for quick cabling adjustment in the event of system modifications or during service and maintenance work. Modular components guarantee maximum flexibility while simultaneously ensuring a high level of protection.

# Create real added value for railway applications

## Klippon® Protect enclosure solutions for trains, track systems, and signalling equipment

B

In critical applications such as the railway industry, safety and reliability play a decisive role. With Klippon® Protect, we as experts in the transmission of power, signals and data in industrial environments offer optimal enclosure solutions for state-of-the-art systems for production, power generation and railway engineering. We work closely with our customers to optimise their distribution of power, signals and data, to promote their digital transformation or to support them in the development of new business models.

### Customised development at the highest level

Our team of experts work with you to develop customised solutions that meet the high demands of the railway industry. We are on hand to assist you in everything from application consulting to solution-oriented development and certification to IRIS-qualified project management. This makes Weidmüller your competent partner for demanding railway applications.

### Your special advantage:

- Vibration and shock-resistant components
- Compliance with all relevant railway standards
- IRIS-certified project management
- Solution-oriented development with a professional project team



**Digital transformation –**  
IoT for railway applications



**Secure electrical interfaces**  
Customised solutions for trains and routes



**Flexible power distribution –**  
Efficient solutions for railway vehicles



**Workplace solutions**  
Optimised processes in panel building





#### Customised solutions for power distribution

We develop customer-specific solutions based on our extensive portfolio. These include the robust Klippon® enclosure and the tried-and-tested terminals of the W and HV series, which can withstand high mechanical loads. All solutions are certified according to current railway standards and are resistant to vibrations, shocks and climactic influences.



#### Klippon® Fire Rated Box

Our robust terminal boxes for the safe supply of power to emergency systems in case of fire. In accordance with DIN 4102-12, they ensure the further functioning, for example, of emergency lighting or tunnel ventilation systems for up to 90 minutes. The assembled enclosures of the Klippon® POK and Klippon® STB series are particularly suitable for locations requiring corrosion resistance, impact resistance and high protection classes.



#### Klippon® TB Railway

Our optimal enclosure solutions for use in tunnels and trains and on tracks. The new certified Klippon® TB Railway portfolio is the perfect basis for customised solutions. With this product range as a basis, our team of international experts can realise customer-specific projects especially quickly and efficiently.

## Comply with international standards in the energy supply sector

### Efficient and safe solutions with Klippon®

#### B

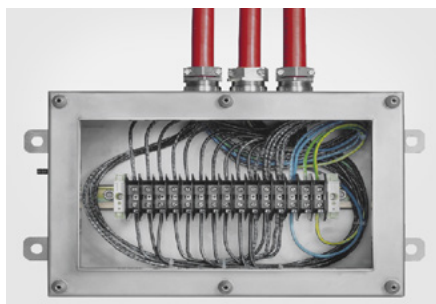
Alongside renewable energies such as wind and solar, the generation of energy from gas, coal and nuclear power will remain a key part of the world's energy mix for a long time to come. Our range of products therefore also features solutions for the specific requirements of the traditional energy sector.

With our complete solutions for all types of energy generation and supply, we can help you to guarantee the safe and reliable operation of your systems while also ensuring maximum availability. We provide you with the right Klippon® products for industrial solutions, harsh environments, explosive risk zones and safety-relevant applications – naturally with all of the market-specific certifications and approvals.

#### Your special advantages:

- International approvals and certifications
- Modified products for industry-specific requirements
- High resistance to weathering and corrosion
- Resistance to vibration, shock, and climatic conditions
- Compliance with explosion protection guidelines





**Customer-specific solutions**

Klippon® products are modified, assembled and approved in line with the respective sector. They comply with all of the required standards and guidelines on explosion protection and are resistant to vibrations, shock, and climatic conditions. For safe use in containment or non-containment areas.



**Robust plastic enclosure**

Klippon® plastic enclosures are extremely resistant to weather and corrosion, making them perfectly suited for use in the photovoltaic sector. International approvals and standards guarantee maximum security.



**Intelligent accessories**

Cable glands in protection classes IP54 to IP66, IP67 and IP69k are available as accessories. These cable glands are suitable for the most diverse applications and also cover high temperature ranges.

## Safely control work processes in hazardous areas on site Certified Klippon® Protect control and display elements

### B

Global demand for energy sources is on the rise. This presents a range of new challenges for the process industry: from research into new energy sources through to their processing and consumption.

Klippon® products satisfy these requirements with innovative technologies and active safety concepts. They ensure secure connections between the interfaces for different areas and guarantee safe, effective, and sustainable operation within the processes. Klippon® Protect control and display elements support all areas of automation within the process industry.

#### Your special advantages:

- Innovative control and display elements for an extremely wide range of automation applications
- Robust enclosure solutions with comprehensive protection for the assembled components
- Convenient independent engineering with the Weidmüller Configurator
- Professional advice during the engineering process on request
- Certified products that comply with the latest local and international standards including ATEX and IECEx.





**Klippon® Control Station**

The robust "on-site control station" is available in customer-specific optimised versions, with different enclosure materials and assembled components. Perfect for individual project solutions with international approvals for explosive risk zones.



**Klippon® TB**

The robust enclosures with electro-polished surfaces are perfectly suited to harsh environments, e.g. for use as distributor enclosures in offshore, food and beverage applications. The sealing system can withstand high operating temperatures and offers IP66/67 protection against moisture and dust.



**Klippon® Services**

Order specific enclosure solutions with explosion protection for your application, and make the most of the professional consulting and engineering services offered by our advisors – or carry out the engineering work yourself using the Weidmüller Configurator.

# Increase efficiency and reliability in shipbuilding

## Robust enclosure solutions with Klippon® Protect

### B

Mobility plays a central role in our globalised world. As a result, the movement of people and goods between continents is becoming increasingly important. Maritime transport in particular faces the challenge of offering maximum performance at low prices. To meet this requirement, efficient and reliable solutions are in ever greater demand in the shipbuilding industry. We support the maritime transport of the future with a broad portfolio of safe connection solutions and individually configurable components for every need. Our products and solutions are certified according to current industry standards. They are produced using cutting-edge manufacturing processes and stand for quality, durability and reliability.

#### Your special advantage:

- Particularly robust and durable solutions
- Future-proof thanks to certification according to the latest industry standards
- Resistant to a wide range of external influences
- Optimally suited for harsh environments
- Versatile use





**Klippon® K**  
 Our robust and resistant enclosures offer IP protection classes from IP66 to IP68 – depending on the requirements. The customer-specific production in our Application Centers ensures quick assembly and a low risk of failure.



**Klippon® STB**  
 Extremely stable and corrosion-resistant, Klippon® STB enclosure solutions offer reliable protection for equipment and control components – even in the harsh environments typical for the rail and shipping industries. Optimal sealing properties allow use in a broad temperature range of between -60 °C to +100 °C.



**Fast delivery service**  
 Quotations in a manner of minutes, all articles numbers at a glance, articles for immediate order, available 24 hours a day every day. The planning and configuration of terminal strips and enclosures with the Weidmüller Configurator (WMC) are the key to efficient and consistent processes.





# Enclosures

<b>Enclosures</b>	Introduction	C.2
	Klippon® TB enclosure series	C.12
	Klippon® TB MH - Multi Hinge	C.14
	Klippon® TB QL - Quarter Lock	C.44
	Klippon® TB FS - Fixing Screw	C.46
	Klippon® Protect - Terminal Boxes - Klippon® TB	C.48
	Klippon® TB FS - Railway	C.54
	Klippon® TB - Large	C.66
	Klippon® EBx	C.70
	Klippon® EBx HS - Hinged Screws	C.72
	Klippon® EBx QL - Quarter Lock	C.86
	Klippon® EBi QL - Quarter Lock	C.98
	Klippon® STB - Stainless steel & Sheet steel enclosures	C.114
	Klippon® Protect - Terminal Boxes - Klippon® STB	C.126
	Klippon® Control Station - Klippon® STB	C.132
	Klippon® Fire Rated Box - Klippon® STB	C.142
	Klippon® K - Aluminium enclosures	C.148
	Klippon® Protect - Terminal Boxes - Klippon® K	C.172
	Klippon® Control Station - Klippon® K	C.174
	Klippon® POK - Polyester enclosures	C.184
	Klippon® Protect - Terminal Boxes - Klippon® POK	C.206
	Klippon® Control Station - Klippon® POK	C.214
	Klippon® Fire Rated Box - Klippon® POK	C.224
	TBF - Polyester enclosures	C.230
	MPC - Polycarbonate enclosures	C.238
	FPC - Polycarbonate enclosures	C.250

# Metal enclosures

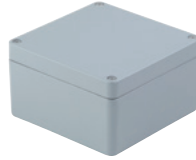


	Klippon® TB MH	Klippon® TB QL	Klippon® TB FS	Klippon® EBi QL
Material	Stainless steel	Stainless steel	Stainless steel	Stainless steel
Material Specification	Stainless steel 1.4404 (316L), enclosure 1.50 mm	Stainless steel 1.4404 (316L), enclosure 1.50 mm	Stainless steel 1.4404 (316L), enclosure 1.50 mm	Stainless steel 1.4301 (304), enclosure 1.50 mm, (1.25 mm)
Sea water resistance	very good	very good	very good	very good
UV resistance	very good	very good	very good	very good
Halogen free / cadmium free	x / x	x / x	x / x	x / x
Surface finish	electropolished	electropolished	electropolished	Brushed
Intended use	Explosive hazard areas, offshore, oil and gas industry, chemical industry, process industry	Explosive hazard areas, offshore, oil and gas industry, chemical industry, process industry	Explosive hazard areas, offshore, oil and gas industry, chemical industry, process industry	Machine construction, transport, power
<b>Dimensions</b>				
H x W x D (min.) in mm	229x152x133	229x152x133	229x152x133	300x200x150
H x W x D (max.) in mm	980x740x200	980x740x200	980x740x200	800x600x220
Geometry	3 standard depths	3 standard depths	3 standard depths	2 standard depths
<b>Specific characteristics</b>				
Gland plates	0,1,2,3,4	0,1,2,3,4	0,1,2,3,4	0,1
Type of gasket	Flat gasket	Flat gasket	Flat gasket	Flat gasket and foam seal
Seal material	Silicone	Silicone	Silicone	EPDM, polyurethane (PUR) foam
Enclosure attachment	4 or 6 mounting feet with 11 mm hole size	4 or 6 mounting feet with 11 mm hole size	4 or 6 mounting feet with 11 mm hole size	Direct mounting (9 mm mounting holes on rear wall) or via mounting feet (optionally available)
Installation mounting	4 or 6 mounting bolts with M6 threaded holes	4 or 6 mounting bolts with M6 threaded holes	4 or 6 mounting bolts with M6 threaded holes	Welded mounting bracket
Temperature range	-60 °C...+135 °C (IP66) -60 °C...+105 °C (IP67)	-60 °C...+135 °C	-60 °C...+135 °C (IP66) -60 °C...+105 °C (IP67)	-40 °C...+85 °C
Impact resistance	IK 09 (10J) in accordance with DIN EN 50102 / 7J in accordance with IEC 60079-0	IK 09 (10J) in accordance with DIN EN 50102 / 7J in accordance with IEC 60079-0	IK 09 (10J) in accordance with DIN EN 50102 / 7J in accordance with IEC 60079-0	IK 09 (10J) in accordance with DIN EN 50102
IP - protection class	IP66, IP67 /	IP66 /	IP66, IP67 /	IP66 /
NEMA protection class	Nema 3, Nema 4x, Nema 12	Nema 3, Nema 4x, Nema 12	Nema 3, Nema 4x, Nema 12	Nema 3, Nema 4x, Nema 5
Flammability rating				
Surface resistance (in ohms)				
<b>Approvals</b>				
ATEX	x	x	x	
AEx	x	x	x	
CCOE / INMETRO	In preparation / x	In preparation / x	In preparation / x	
cULus	x	x	x	x
EAC	x	x	x	
IECEX	x	x	x	
CCC / KOSHA	x / x	x / x	x / x	
RMR / LR / DNV GL	- / - / x	- / - / x	- / - / x	- / - / x
<b>Configuration</b>	Lid hinges Removable lid Gland plates Welded mounting feet Fitting for a padlock	Lid hinges Gland plates Welded mounting feet Quarter lock	Removable lid Gland plates Welded mounting feet	Lid hinges Gland plates Direct mounting, Optional mounting feet Quarter lock



	Klippon® EBx HS	Klippon® EBx QL	Klippon® TB Large	Klippon® TB Landscape
Material	Stainless steel	Stainless steel	Stainless steel	Stainless steel
Material Specification	Stainless steel 1.4404 (316L), enclosure 1,5 mm	Stainless steel 1.4404 (316L), enclosure 1,5 mm	Stainless steel 1.4404 (316 L), enclosure min. 2,0 mm	Stainless steel 1.4404 (316L), enclosure 1,5 mm
Sea water resistance	good	good	good	very good
UV resistance	very good	very good	very good	very good
Halogen free / cadmium free	x / x	x / x	x / x	x / x
Surface finish	Brushed	Brushed	Brushed	electropolished
Intended use	Explosive hazard areas, oil and gas industry, chemical industry, process industry	Explosive hazard areas, oil and gas industry, chemical industry, process industry	Explosive hazard areas, oil and gas industry, chemical industry, process industry, Industry, infrastructure	Explosive hazard areas, offshore oil and gas industry, chemical industry, process industry, Industry, infrastructure
<b>Dimensions</b>				
H x W x D (min.) in mm	200x200x150	200x200x200	1000x500x300	350x550x200
H x W x D (max.) in mm	800x600x300	800x600x300	1500x1000x500	508x762x200
Geometry	2 standard depths	2 standard depths	3 standard depths	1 standard depths
<b>Specific characteristics</b>				
Gland plates	1	1	1	0, 1
Type of gasket	Flat gasket	Flat gasket	Foamed gasket and flat gasket for flange plates	Flat gasket
Seal material	Silicone	Silicone	Silicone	Silicone
Enclosure attachment	4 mounting feet (optionally)	4 mounting feet (optionally)	4 or 6 welded mounting feet with 14 mm hole size	4 or 6 mounting feet with 11 mm hole size
Installation mounting	4 or 6 mounting bolts with M6 threaded holes	4 or 6 mounting bolts with M6 threaded holes	Several M8 mounting bolts	4 or 6 mounting bolts with M6 threaded holes
Temperature range	-55 °C...+135 °C	-55 °C...+135 °C	-50 °C...135 °C	-60 °C...+135 °C (IP66) -60 °C...+105 °C (IP67)
Impact resistance	IK 09 (10J) in acc. with DIN EN 50102 / 7J in acc. with IEC 60079-0	IK 09 (10J) in acc. with DIN EN 50102 / 7J in acc. with IEC 60079-0	IK 09 (10J) in acc. with DIN EN 50102 / 7J in acc. with IEC 60079-0	IK 09 (10J) in acc. with DIN EN 50102 / 7J in acc. with IEC 60079-0
IP - protection class	IP66 / Nema 4x	IP66 / Nema 4x	IP66 / Nema 3, Nema 4x, Nema 5	IP66, IP67 / Nema 3, Nema 4x, Nema 12
NEMA protection class				
Flammability rating	UL94 V0	UL94 V0	UL94 V0	UL94 V0
Surface resistance (in ohms)				
<b>Approvals</b>				
ATEX	x	x	x	x
AEx	-	-	x	-
CCOE / INMETRO	- / -	- / -	- / x	In preparation / x
cULus	-	-	x	x
EAC	-	-	x	x
IECEX	x	x	x	x
CCC / KOSHA	- / -	- / -	x / -	x / x
RMR / LR / DNV GL	- / - / -	- / - / -	- / - / x	x / - / x
<b>Configuration</b>				
	Lid hinges Removable lid Gland plates	Lid hinges Removable lid Gland plates	Lid hinges Removable lid Gland plates Welded mounting feet	Lid hinges Removable cover. no tools needed Gland plates Welded mounting feet Fitting for a padlock

# Metal enclosures



	Klippon® STB		Klippon® K	
Material	Stainless steel	Sheet steel	Aluminium	
Material Specification	Stainless steel 1.4404 (316L) 1.50 mm	Powder-coated steel sheet 1.0330	High quality aluminium alloy (Al-Si12)	
Sea water resistance	very good	good	good	
UV resistance	very good	insufficient	very good	
Halogen free / cadmium free	x / x	x / x	x / x	
Surface finish	electropolished, Mirror-polish	powder-coated	neutral, powder-coated	
Intended use	Ex areas, packing industry, railways, shipping, process industry	Packing industry, railways, shipping, process industry	Ex-areas, process industry, transport, railways, shipping, port facilities, packaging, mechanical engineering	
<b>Dimensions</b>				
H x W x D (min.) in mm	120x120x80		50x45x30	
H x W x D (max.) in mm	250x400x130		230x280x111	
Geometry	5 standard depths		11 standard depths	
<b>Specific characteristics</b>	<b>Ex-version</b>	<b>Industrial version</b>	<b>Ex-version</b>	<b>Industrial version</b>
Gland plates	none	none	none	none
Type of gasket	Flat gasket	Flat gasket	Shaped gasket	Shaped gasket
Seal material	Silicone	Silicone	Silicone	Chloroprene, Silicone
Enclosure attachment	External holders with 8 mm holes	External holders with 8 mm holes	4 holes for M4 to M6 screws	4 holes for M4 to M6 screws
Installation mounting	20 mm C-rail welded to the enclosure	20 mm C-rail welded to the enclosure	M4 to M6 threaded holes	M4 to M6 threaded holes
Temperature range	-60 °C...+100 °C	-60 °C...+120 °C	-60 °C...+135 °C	-40 °C...+80 °C (CR); -60 °C...+135 °C (VMQ)
Impact resistance	7J in accordance with IEC 60079-0	IK 09 (10J) in accordance with DIN EN 50102	7J in accordance with IEC 60079-0	IK 09 (10J) in accordance with DIN EN 50102
IP - protection class	IP66 / Nema 4, 4x	IP66	IP66, IP67 / Nema 4x	IP66, IP67, IP68 / Nema 4x
Flammability rating				
Surface resistance (in ohms)				
<b>Approvals</b>				
ATEX	x		x	
AEx	x			
CCOE / INMETRO	- / x			
cULus	x			x
EAC	x		x	x
IECEX	x		x	
CCC / KOSHA	- / x			
RMR / LR / DNV GL	- / x / -	- / x / -	x / - / x	x / - / x
<b>Configuration</b>	TAS 20 C-profile rail Welded mounting feet Earth studs in enclosure lid and base		Internal earthing screw in the enclosure base an external earth stud	internal earthing screw in the enclosure base

# Plastic enclosures



	Klippon® POK		TBF	MPC	FPC
Material	Polyester		Polyester	Polycarbonate	Polycarbonate
Material Specification	Glass-fibre reinforced polyester in accordance with DIN 16913		Glass-fibre reinforced polyester, polycarbonate transparent cover		
Sea water resistance	very good		very good	very good	very good
UV resistance	good		good	good	good
Halogen free / cadmium free	x / x		x / x	x / x	x / x
Surface finish	Grey (industrial version), Black (Ex version)		grey	grey	grey
Intended use	Ex-areas, energy production, transportation, process industries, port facilities		Building installation, transportation, energy production, building sites, manufacturing industry, packaging industry	Building installation, transportation, energy production, building sites, manufacturing industry, packaging industry	Building installation, transportation, energy production, building sites, manufacturing industry, packaging industry
<b>Dimensions</b>					
H x W x D (min.) in mm	75x80x55		186x151x140	125x75x75	200x200x132
H x W x D (max.) in mm	250x600x120		603x603x175/210	250x175x150	600x400x132
Geometry	5 standard depths		3 standard depths	4 standard depths	1 standard depth
<b>Specific characteristics</b>	<b>Ex version (black)</b>	<b>Industrial version (grey)</b>			
Gland plates	none	none	none	none	none
Type of gasket	Shaped seal	Shaped seal	O-ring	Foam seal	Foam seal
Seal material	Silicone	Chloroprene	Polyurethane	Polyurethane	Polyurethane
Enclosure attachment	4 holes for M4 to M6 screws	4 holes for M4 to M6 screws	4 holes or external mounting brackets (accessory)	4 holes or external mounting brackets (accessory)	4 holes or external mounting brackets (accessory)
Installation mounting	M4 to M6 threaded holes	M4 to M6 threaded holes	4 or 6 clamping screws M4	Self-tapping screws	Self-tapping screws
Temperature range	-55 °C...+100 °C	-40 °C...+100 °C	-50 °C...+130 °C (Continuous temperature max. 70 °C) (grey); -35 °C ...+120 °C ((Continuous temperature max. 70 °C) (transparent)	-50 °C...+100 °C (grey); -40 °C...+60 °C (transparent)	-50 °C...+100 °C (grey); -40 °C...+60 °C (transparent)
Impact resistance	7J in accordance with IEC 60079-0	IK 08 (5J) in accordance with DIN EN 50102	IK08 (5J) in accordance with IEC 62208, IK10 (20J) in accordance with IEC 62262	IK 08 (grey), IK 06 (transparent)	IK 08 (grey), IK 06 (transparent)
IP - protection class	IP66	IP66	IP66 (transparent lid) IP67 (grey lid)	IP66, IP67	IP66, IP67
Flammability rating	UL94 V0	UL94 V0	UL94 HB (grey), V2 (transparent)	V2	V2
Surface resistance (in ohms)	<10 <sup>9</sup>	10 <sup>12</sup>	10 <sup>12</sup>	10 <sup>16</sup>	10 <sup>16</sup>
<b>Approvals</b>					
ATEX	x				
AEx	x				
CCOE / INMETRO					
EAC	x	x			
cULus	x	x			
IECEX	x				
NEPSI / KOSHA	- / x				
RMR / LR / DNV GL	x / x / x	- / x / x			
<b>Configuration</b>	Fastening screws for the mounting plate		grey or transparent lid	grey or transparent lid	grey or transparent lid

## Drawing design – For chapter C

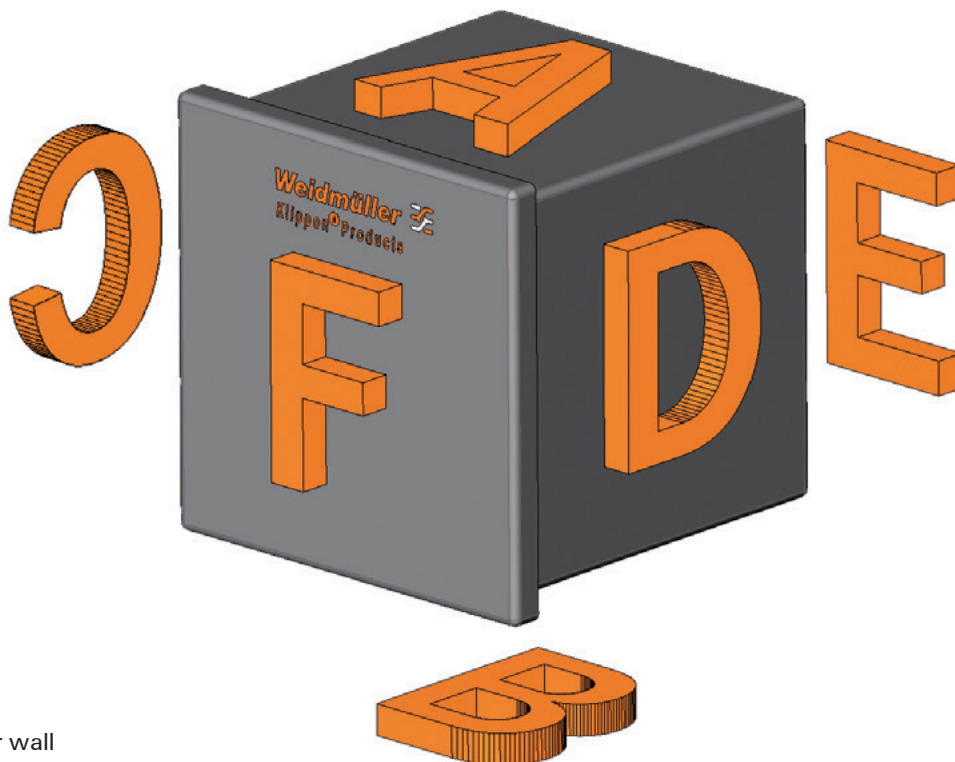
The drawings contained in chapter C are constructed in the following way.

To identify the enclosure side views, these are marked with the letters A, B, C, D, E, and F. The schematic 3D representations shown underneath are of an enclosure that has been wall mounted.

C

- F** shows the view of the enclosure lid (front aspect),
- E** shows the interior surface of the enclosure (rear wall of the enclosure with the cover removed).
- A** shows the view of the enclosure from above and
- B** the view of the enclosure from underneath.
- C** shows the left and
- D** the right side of the enclosure.
- E** is the front view of the enclosure interior with the cover removed (enclosure rear wall).


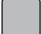


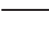


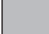
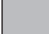


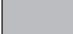
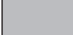


You can find the dimensions of the enclosure sides for all enclosure sizes in each drawing.




- A** = Top
- B** = Bottom
- C** = Left
- D** = Right
- E** = Enclosure rear wall
- F** = Enclosure lid

# Overview of dimensions


**Klippon® TB MH – Multi Hinge /  
Klippon® TB QL – Quarter Lock / Klippon® TB FS – Fixing Screw** Page C.12

		Dimensions in mm Height x width x depth
	Klippon® TB MH Klippon® TB QL Klippon® TB FS	229 x 152 x 133
	Klippon® TB MH Klippon® TB QL Klippon® TB FS	260 x 260 x 150
	Klippon® TB MH Klippon® TB QL Klippon® TB FS	260 x 260 x 200
	Klippon® TB MH Klippon® TB QL Klippon® TB FS	306 x 306 x 150
	Klippon® TB MH Klippon® TB QL Klippon® TB FS	306 x 306 x 200
	Klippon® TB MH Klippon® TB QL Klippon® TB FS	350 x 260 x 150
	Klippon® TB MH Klippon® TB QL Klippon® TB FS	350 x 260 x 200
	Klippon® TB MH Klippon® TB QL Klippon® TB FS	400 x 300 x 150
	Klippon® TB MH Klippon® TB QL Klippon® TB FS	400 x 300 x 200
	Klippon® TB MH Klippon® TB QL Klippon® TB FS	458 x 382 x 150
	Klippon® TB MH Klippon® TB QL Klippon® TB FS	458 x 382 x 200
	Klippon® TB MH Klippon® TB QL Klippon® TB FS	480 x 480 x 150
	Klippon® TB MH Klippon® TB QL Klippon® TB FS	480 x 480 x 200
	Klippon® TB MH Klippon® TB QL Klippon® TB FS	550 x 350 x 150
	Klippon® TB MH Klippon® TB QL Klippon® TB FS	550 x 350 x 200
	Klippon® TB MH Klippon® TB QL Klippon® TB FS	620 x 450 x 150
	Klippon® TB MH Klippon® TB QL Klippon® TB FS	620 x 450 x 200
	Klippon® TB MH Klippon® TB QL Klippon® TB FS	762 x 508 x 150
	Klippon® TB MH Klippon® TB QL Klippon® TB FS	762 x 508 x 200
	Klippon® TB MH Klippon® TB QL Klippon® TB FS	914 x 610 x 150
	Klippon® TB MH Klippon® TB QL Klippon® TB FS	914 x 610 x 200
<b>Note</b>	Additional enclosure sizes available on request.	




**Klippon® TB MH – Multi Hinge /  
Klippon® TB QL – Quarter Lock / Klippon® TB FS – Fixing Screw** Page C.12

		Dimensions in mm Height x width x depth
	Klippon® TB MH Klippon® TB QL Klippon® TB FS	980 x 740 x 200
<b>Note</b>	Additional enclosure sizes available on request.	

**Klippon® TB MH – Multi Hinge** Page C.12

		Dimensions in mm Height x width x depth
	Klippon® TB MH	350 x 550 x 200
	Klippon® TB MH	450 x 620 x 200
	Klippon® TB MH	508 x 762 x 200
<b>Note</b>	QL and FS variants are not available for these sizes. Additional enclosure sizes available on request.	





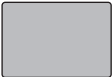
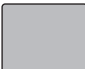


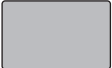
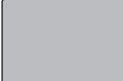
**Klippon® TB Large QL - Quarter Lock** Page C.66

		Dimensions in mm Height x width x depth
	Klippon® TBL QL	1000 x 500 x 300
	Klippon® TBL QL	1250 x 800 x 400
	Klippon® TBL QL	1500 x 1000 x 500
<b>Note</b>	Additional enclosure sizes available on request.	

# Overview of dimensions








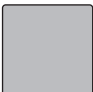

## Klippon® EBx HS - Hinged Screws / Klippon® EBx QL - Quarter Lock

Page C.70

		Dimensions in mm Height x width x depth
	Klippon® EBx HS	200 x 200 x 150
	Klippon® EBx QL	200 x 200 x 200
	Klippon® EBx HS	300 x 300 x 150
	Klippon® EBx HS	300 x 300 x 200
	Klippon® EBx QL	
	Klippon® EBx HS	400 x 300 x 200
	Klippon® EBx QL	400 x 300 x 300
	Klippon® EBx HS	400 x 400 x 200
	Klippon® EBx QL	400 x 400 x 300
	Klippon® EBx HS	400 x 600 x 200
	Klippon® EBx QL	400 x 600 x 300
	Klippon® EBx HS	500 x 400 x 200
	Klippon® EBx QL	500 x 400 x 300
	Klippon® EBx HS	500 x 500 x 200
	Klippon® EBx QL	500 x 500 x 300
	Klippon® EBx HS	500 x 600 x 200
	Klippon® EBx QL	500 x 600 x 300
	Klippon® EBx HS	600 x 400 x 200
	Klippon® EBx QL	600 x 400 x 300
	Klippon® EBx HS	800 x 600 x 200
	Klippon® EBx QL	800 x 600 x 300
<b>Note</b>	Additional enclosure sizes available on request.	

## Klippon® EBi QL - Quarter Lock









Page C.98

		Dimensions in mm Height x width x depth
	Klippon® EBi QL	300 x 200 x 150
	Klippon® EBi QL	300 x 300 x 150
	Klippon® EBi QL	300 x 300 x 220
	Klippon® EBi QL	400 x 300 x 150
	Klippon® EBi QL	400 x 300 x 220
	Klippon® EBi QL	400 x 400 x 220
	Klippon® EBi QL	500 x 400 x 220
	Klippon® EBi QL	500 x 500 x 220
	Klippon® EBi QL	600 x 400 x 220
	Klippon® EBi QL	600 x 600 x 220
	Klippon® EBi QL	800 x 600 x 220
<b>Note</b>	Additional enclosure sizes available on request.	



## Klippon® STB






Page C.114

		Dimensions in mm Height x width x depth
	1.4404 (316L), mirror polished 1.4404 (316L), electropolished MS RAL 7032	120 x 120 x 80
	1.4404 (316L), mirror polished 1.4404 (316L), electropolished MS RAL 7032	150 x 120 x 80
	1.4404 (316L), mirror polished 1.4404 (316L), electropolished MS RAL 7032	150 x 150 x 90
	1.4404 (316L), mirror polished 1.4404 (316L), electropolished MS RAL 7032	190 x 150 x 90
	1.4404 (316L), mirror polished 1.4404 (316L), electropolished MS RAL 7032	190 x 190 x 100
	1.4404 (316L), mirror polished 1.4404 (316L), electropolished MS RAL 7032	250 x 250 x 120
	1.4404 (316L), mirror polished 1.4404 (316L), electropolished MS RAL 7032	160 x 380 x 120
	1.4404 (316L), mirror polished 1.4404 (316L), electropolished MS RAL 7032	250 x 400 x 130

Information on the net weight of the enclosures can be found in the online catalogue. MS: Mild steel

## Klippon® K











Page C.148

		Dimensions in mm Height x width x depth
	unpainted (S) unpainted (CR) RAL 7001 (CR) RAL 7001 (S)	45 x 50 x 30
	unpainted (S) unpainted (CR) RAL 7001 (CR) RAL 7001 (S)	64 x 58 x 34
	unpainted (S) unpainted (CR) RAL 7001 (CR) RAL 7001 (S)	64 x 98 x 34
	unpainted Ex (S) unpainted (CR) unpainted (S) RAL 7001 Ex (S) RAL 7001 (CR) RAL 7001 (S)	70 x 70 x 45
	unpainted Ex (S) unpainted (CR) unpainted (S) RAL 7001 Ex (S) RAL 7001 (CR) RAL 7001 (S)	80 x 75 x 57

Information on the net weight of the enclosures can be found in the online catalogue.

## Klippon® K

Page C.148

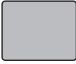


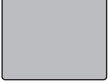
		Dimensions in mm Height x width x depth
	unpainted Ex (S) unpainted (CR) unpainted (S) RAL 7001 Ex (S) RAL 7001 (CR) RAL 7001 (S)	70 x 100 x 45
	unpainted Ex (S) unpainted (CR) unpainted (S) RAL 7001 Ex (S) RAL 7001 (CR) RAL 7001 (S)	80 x 125 x 57
	unpainted Ex (S) unpainted (CR) unpainted (S) RAL 7001 Ex (S) RAL 7001 (CR) RAL 7001 (S)	70 x 165 x 45
	unpainted Ex (S) unpainted (CR) unpainted (S) RAL 7001 Ex (S) RAL 7001 (CR) RAL 7001 (S)	80 x 175 x 57
	unpainted Ex (S) unpainted (CR) unpainted (S) RAL 7001 Ex (S) RAL 7001 (CR) RAL 7001 (S)	80 x 250 x 55
	unpainted Ex (S) unpainted (CR) unpainted (S) RAL 7001 Ex (S) RAL 7001 (CR) RAL 7001 (S)	82 x 130 x 72
	unpainted Ex (S) unpainted (CR) unpainted (S) RAL 7001 Ex (S) RAL 7001 (CR) RAL 7001 (S)	120 x 122 x 81
	unpainted Ex (S) unpainted (CR) unpainted (S) RAL 7001 Ex (S) RAL 7001 (CR) RAL 7001 (S)	130 x 170 x 90
	unpainted Ex (S) unpainted (CR) unpainted (S) RAL 7001 Ex (S) RAL 7001 (CR) RAL 7001 (S)	120 x 220 x 81
	unpainted Ex (S) unpainted (CR) unpainted (S) RAL 7001 Ex (S) RAL 7001 (CR) RAL 7001 (S)	160 x 160 x 91

Information on the net weight of the enclosures can be found in the online catalogue.

# Overview of dimensions

## Klippon® K











Page C.148

		Dimensions in mm Height x width x depth
	unpainted Ex (S) unpainted (CR) unpainted (S) RAL 7001 Ex (S) RAL 7001 (CR) RAL 7001 (S)	160 x 200 x 100
	unpainted Ex (S) unpainted (CR) unpainted (S) RAL 7001 Ex (S) RAL 7001 (CR) RAL 7001 (S)	160 x 260 x 91
	unpainted Ex (S) unpainted (CR) unpainted (S) RAL 7001 Ex (S) RAL 7001 (CR) RAL 7001 (S)	160 x 350 x 100
	unpainted Ex (S) unpainted (CR) unpainted (S) RAL 7001 Ex (S) RAL 7001 (CR) RAL 7001 (S)	230 x 280 x 111

Information on the net weight of the enclosures can be found in the online catalogue.

## Klippon® POK



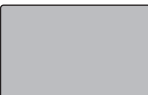

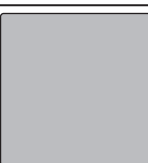


Page C.184

		Dimensions in mm Height x width x depth
	RAL 7001 RAL 9011	75 x 80 x 56
	RAL 7001 RAL 9011	75 x 110 x 55
	RAL 7001 RAL 9011	75 x 160 x 55
	RAL 7001 RAL 9011	75 x 190 x 55
	RAL 7001 RAL 9011	75 x 230 x 55
	RAL 7001 RAL 9011	120 x 122 x 91
	RAL 7001 RAL 9011	120 x 220 x 91
	RAL 7001 RAL 9011	160 x 160 x 91
	RAL 7001 RAL 9011	160 x 260 x 91
	RAL 7001 RAL 9011	160 x 360 x 91

Information on the net weight of the enclosures can be found in the online catalogue.

## Klippon® POK




Page C.184

		Maße [mm] Höhe x Breite x Tiefe	Gewicht [g]
	RAL 7001 RAL 9011	160 x 560 x 91	
	RAL 7001 RAL 9011	250 x 255 x 121	
	RAL 7001 RAL 9011	250 x 400 x 121	
	RAL 7001 RAL 9011	250 x 600 x 121	
	RAL 7001 RAL 9011	405 x 400 x 121	
	RAL 7001 RAL 9011	250 x 255 x 161	
	RAL 7001 RAL 9011	250 x 400 x 161	

Information on the net weight of the enclosures can be found in the online catalogue.







## TBF

Page C.230

		Dimensions in mm Height x width x depth
	grey lid (RAL7035) transparent lid	186 x 151 x 140
	grey lid (RAL7035) transparent lid	302 x 186 x 175
	grey lid (RAL7035) transparent lid	302 x 302 x 175








Information on the net weight of the enclosures can be found in the online catalogue.

## TBF Page C.230



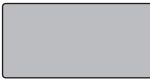
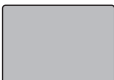


		Dimensions in mm Height x width x depth
	grey lid (RAL7035) transparent lid	<b>372 x 302 x 175</b>
	grey lid (RAL7035) transparent lid	<b>488 x 302 x 175</b> <b>488 x 302 x 210</b>
	grey lid (RAL7035) transparent lid	<b>558 x 302 x 175</b> <b>558 x 302 x 210</b>
	grey lid (RAL7035) transparent lid	<b>603 x 302 x 175</b> <b>603 x 302 x 210</b>
	grey lid (RAL7035) transparent lid	<b>603 x 372 x 175</b> <b>603 x 372 x 210</b>
	grey lid (RAL7035) transparent lid	<b>603 x 605 x 175</b> <b>603 x 605 x 210</b>

Information on the net weight of the enclosures can be found in the online catalogue.

## MPC Page C.238

		Dimensions in mm Height x width x depth
	grey lid (RAL7035) transparent lid	<b>75 x 125 x 75</b>
	grey lid (RAL7035) transparent lid	<b>75 x 125 x 100/120</b>
	grey lid (RAL7035) transparent lid	<b>120 x 120 x 75/100/120</b>
	grey lid (RAL7035) transparent lid	<b>120 x 175 x 75/100/120/150</b>
	grey lid (RAL7035) transparent lid	<b>175 x 175 x 75 /100/120/150</b>
	grey lid (RAL7035) transparent lid	<b>175 x 250 x 100</b>
	grey lid (RAL7035) transparent lid	<b>180 x 250 x 75/150</b>

## FPC Page C.250

		Dimensions in mm Height x width x depth
	grey lid (RAL7035) transparent lid	<b>200 x 200 x 132</b>
	grey lid (RAL7035) transparent lid	<b>200 x 300 x 132</b>
	grey lid (RAL7035) transparent lid	<b>200 x 400 x 132</b>
	grey lid (RAL7035) transparent lid	<b>300 x 300 x 132</b>
	grey lid (RAL7035) transparent lid	<b>300 x 400 x 132</b>
	grey lid (RAL7035) transparent lid	<b>400 x 600 x 132</b>

Information on the net weight of the enclosures can be found in the online catalogue.

# Klippon® TB enclosure series

## Stainless steel enclosures for use within hazardous areas

The Klippon® TB enclosure series offers excellent performance characteristics and meets the stricter requirements of hazardous areas.

The enclosures are available in twelve sizes and three standard depths. They consist of 1.4404 (316L) stainless steel and meet the requirements of the IP66 and IP67 protection classes. The enclosures are tested with this equipment to the latest international standards, including EN 62208 and EN 60079.

### Temperature and sealing characteristics

The enclosures come standard with a silicone seal for use under extreme temperatures.



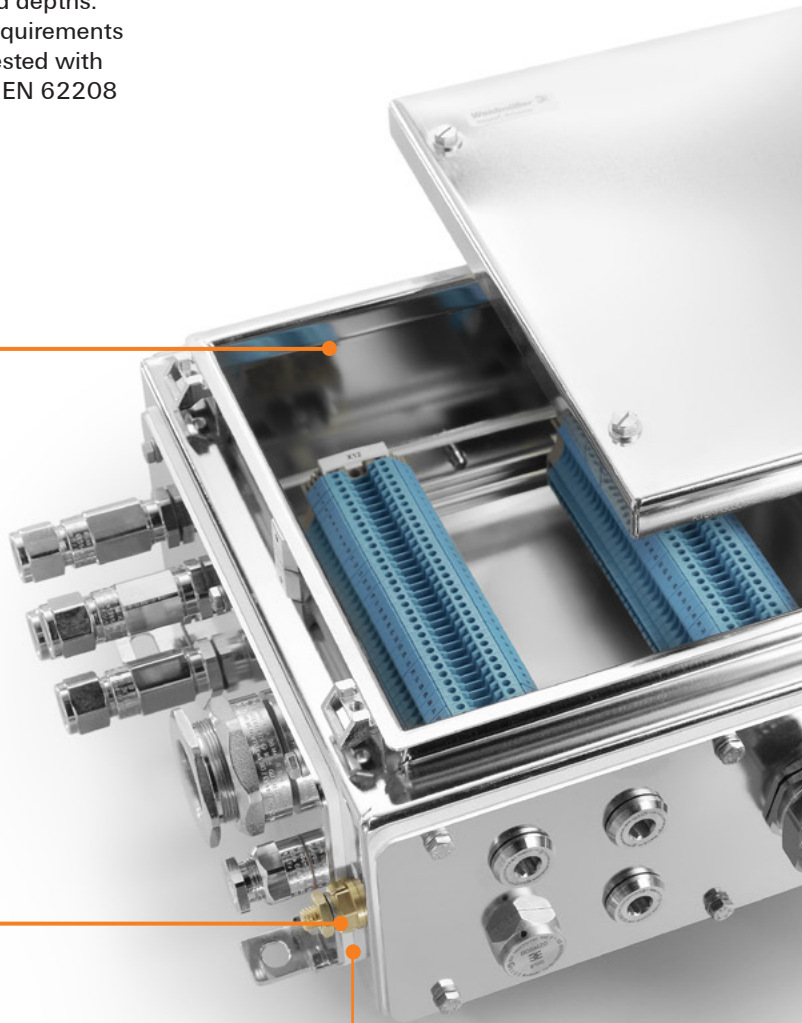
### Safe protection

An integrated dust and moisture channel prevents dirt and moisture from penetrating when the enclosure is opened. The external earthing stud is equipped with an IP66/67 certified sealing mechanism and is protected against twisting.



### Versatile installation options

Mounting bolts are located within the enclosure for installing rails and mounting plates. Welded-on mounting feet provide for a fast, secure and stable wall mounting.



**Safety and stability**

The different sealing systems prevents unauthorized access to the enclosure. Welded on inner thread sockets provide a stable attachment mechanism for gland plates and protect against leaks.



**Easy installation**

The enclosures are delivered with up to four gland plates so that cable glands can be easily and quickly installed and attached.



**Klippon® cable glands**

Our complete series of IP66 and IP68 cable glands and accessories are an excellent compliment to the Klippon® TB enclosure series. Cable glands enable the connection of armoured and unarmoured cables from M20 to M75.



**Approvals**

The Klippon® TB range of enclosures has been awarded international approvals.



**Industrial segments**

The enclosures are designed for use in a variety of applications and for use in hazardous areas in particular. Typical applications include the process industry, the petrochemicals and power generation. All enclosures are tested and approved in compliance with the latest international standards, including ATEX and IECEx according to EN 60079.



**Customer-specific solutions**

Weidmüller's customer-specific-service provides comprehensive consultation, engineering and installation for modified enclosures. The enclosures can be modified during the production process according to customer demands and completed with various accessory components. There is a wide range of customer specific options available, such as enclosures with pre drilled holes and cutouts, various surfaces and materials, locking options and alternative sizes. Holders for documents and rating labels, door retainers, rain shields and many more accessories can also be installed on the enclosures per customer request.



# Klippon® TB MH – Multi Hinge

## Steel enclosures for use in industrial and in potentially explosive atmospheres

The Klippon® TB enclosure range features excellent performance characteristics, even under the most difficult environmental conditions, and also comply with the stricter requirements of potentially explosive atmospheres found in the process or power generation industries. The Klippon® TB MH enclosure range offers further improvements to a product line that is already successfully leading the market.

Weidmüller manufactures and supplies the enclosures to match customer specifications – fully fitted with terminals, electronics and cable glands.

### Features:

- Available in 15 sizes and 3 standard depths, with customer-specific sizes on request
- The gasket is protected against compression
- Completely removable padlock tab
- Cover lock outside the sealed zone
- Improved temperature performance
- IP66/IP67 protection
- Lid can be removed without a tool
- Welded mounting feet
- International approvals



Use our online catalogue to find additional product details, technical information and additional services:

[www.weidmueller.com/klippontb](http://www.weidmueller.com/klippontb)



You can find this product family in our Weidmüller Configurator:

[www.weidmueller.com/wmc](http://www.weidmueller.com/wmc)

### Overview of enclosures – Ordering data

Description	Height x width x depth in mm	0 Gland Plates	1 Gland Plate (below)	2 Gland Plates (above + below)	3 Gland plates (below + sides)	4 Gland plates (all sides)	Reference product
KTb MH 221513 S4E_*	229 x 152 x 133	1194550000	1194560000	1194570000	1194580000	1194590000	Klippon® TB10
KTb MH 262615 S4E_*	260 x 260 x 150	1194600000	1194610000	1194620000	1194630000	1194640000	Klippon® TB10A
KTb MH 262620 S4E_*	260 x 260 x 200	1194650000	1194660000	1194670000	1194680000	1194690000	Klippon® TB10A
KTb MH 303015 S4E_*	306 x 306 x 150	1194700000	1194710000	1194720000	1194730000	1194740000	Klippon® TB11
KTb MH 303020 S4E_*	306 x 306 x 200	1194750000	1194760000	1194770000	1194780000	1194790000	Klippon® TB11
KTb MH 352615 S4E_*	350 x 260 x 150	1194800000	1194810000	1194820000	1194830000	1194840000	Klippon® TB11A
KTb MH 352620 S4E_*	350 x 260 x 200	1194850000	1194860000	1194870000	1194880000	1194890000	Klippon® TB11A
KTb MH 403015 S4E_*	400 x 300 x 150	1194900000	1194910000	1194920000	1194930000	1194940000	-
KTb MH 403020 S4E_*	400 x 300 x 200	1194950000	1194960000	1194970000	1194980000	1194990000	-
KTb MH 453815 S4E_*	458 x 382 x 150	1195000000	1195010000	1195020000	1195030000	1195040000	Klippon® TB12
KTb MH 453820 S4E_*	458 x 382 x 200	1195050000	1195060000	1195070000	1195080000	1195090000	Klippon® TB12
KTb MH 484815 S4E_*	480 x 480 x 150	1195100000	1195110000	1195120000	1195130000	1195140000	Klippon® TB12A
KTb MH 484820 S4E_*	480 x 480 x 200	1195150000	1195160000	1195170000	1195180000	1195190000	Klippon® TB12A
KTb MH 553515 S4E_*	550 x 350 x 150	1195200000	1195210000	1195220000	1195230000	1195240000	Klippon® TB12B
KTb MH 553520 S4E_*	550 x 350 x 200	1195250000	1195260000	1195270000	1195280000	1195290000	Klippon® TB12B
KTb MH 355520 S4E_*	350 x 550 x 200	2698040000	2698050000				
KTb MH 624515 S4E_*	620 x 450 x 150	1195300000	1195310000	1195320000	1195330000	1195340000	Klippon® TB12D
KTb MH 624520 S4E_*	620 x 450 x 200	1195350000	1195360000	1195370000	1195380000	1195390000	Klippon® TB12D
KTb MH 456220 S4E_*	450 x 620 x 200	2698060000	2698070000				
KTb MH 765015 S4E_*	762 x 508 x 150	1195400000	1195410000	1195420000	1195430000	1195440000	Klippon® TB13
KTb MH 765020 S4E_*	762 x 508 x 200	1195450000	1195460000	1195470000	1195480000	1195490000	Klippon® TB13
KTb MH 507620 S4E_*	508 x 762 x 200	2698080000	2698090000				
KTb MH 916115 S4E_*	914 x 610 x 150	1195500000	1195510000	1195520000	1195530000	1195540000	Klippon® TB14
KTb MH 916120 S4E_*	914 x 610 x 200	1195550000	1195560000	1195570000	1195580000	1195590000	Klippon® TB14
KTb MH 987420 S4E_*	980 x 740 x 200	1195600000	1195610000	1195620000	1195630000	1195640000	-

Note \* Placeholder for the number of gland plates (0, 1, 2, 3, 4). The Klippon® TB enclosures with 2 and 4 gland plates are subject to minimum order quantities.

## Technical Overview

### Technical data

Enclosure material*	Stainless steel 1.4404 (316L) 1.5 mm
Surface finish	electropolished
IP protection class	IP66 / IP67 to DIN EN 60529
NEMA protection classes	3, 4x, 12
Gland plates	1-4 (fixed with M6 hexagon head screws with 10 mm heads), optionally without a gland plate
Gland plate thickness	3 mm (other thickness are available on request)
Earthing inside	Enclosure base and lid: welded M6 stainless steel earth studs
Earthing outside	Continuous M10 brass earth stud (optionally with stainless-steel earth stud)
Installation mounting	4 or 9 mounting bolts with M6 threaded holes to attach the mounting plate or mounting rail
Enclosure attachment	4 or 6 welded mounting feet with 11-mm holes (2 slotted and 2 cross-shaped openings)
Lid opening	Lid can be fully removed without the use of tools, can be fitted on both sides, lid opening angle: 130°
Cover attachment	4 hinges and M6 hex-head screws (AF 10) with slot
Equipped for a padlock	Removable padlock fitting, for additional product security
Impact resistance	7 J to IEC 60079-0, IK 09 (10J) to DIN EN 50102
Gasket material	Silicone
Operating temperature range	-60 °C...+105 °C (IP66/IP67), -60 °C...+135 °C (IP66)
Torque – lid and gland plate screws	2.5 Nm
<b>Note</b>	* Painted enclosures are available on request.

### Approvals for empty enclosures

ATEX certificate	IBExU14ATEX1028 U	EAC	C-DE.HB07.B.00089/20 / C-DE.AQ54.B.00251/19
ATEX marking	II 2G Ex eb IIC Gb II 2D Ex tb IIIC Db	cULus	E243298
IECEx certificate	IECEx IBE 14.0004U	DNV GL	TAE000013S
IECEx marking	Ex eb IIC Gb Ex tb IIIC Db	CCOE	In preparation
CCCEX certificate	2020322303002357	INMETRO	IEx 17.0020U
CCCEX marking	Ex e IIC Gb, Ex tD A21 IP66/67	AEx	E223792
<b>Note</b>	The Klippon® TB enclosure range can be pre-fitted in our customer specific production department according to your wishes.		

### Approvals for control and distribution box

ATEX certificate	IBExU14ATEX1050	KOSHA certificate	16-AV4B0-0245X
ATEX marking	⊕ II 2G Ex eb IIC/IIB/IIA T6/T5/T4 Gb ⊕ II 1G Ex ia IIC/IIB/IIA T6/T5/T4 Ga ⊕ II 2G Ex eb ia IIC/IIB/IIA T6/T5/T4 Gb ⊕ II 2D Ex tb IIIC T80°C/T95°C/T135°C Db ⊕ II 1D Ex ia IIC T80°C/T95°C/T135°C Da -60 °C ≤ Ta ≤ +40/+55/+90 °C	KOSHA marking	Ex eb IIC/IIB/IIA T6/T5/T4 Gb Ex ia IIC/IIB/IIA T6/T5/T4 Ga Ex eb ia IIC/IIB/IIA T6/T5/T4 Gb Ex tb IIIC T80°C/T95°C/T135°C Db Ex ia IIC T80°C/T95°C/T135°C Da 60 °C...+40/+55/+90 °C
CCCEX certificate	2020322303002358	IECEx certificate	IECEx IBE 14.0013
CCCEX marking	Ex e IIC/IIB/IIA T6/T5/T4 Gb Ex ia IIC/IIB/IIA T6/T5/T4 Ga Ex e ia IIC/IIB/IIA T6/T5/T4 Gb	IECEx marking	Ex eb IIC/IIB/IIA T6/T5/T4 Gb Ex ia IIC/IIB/IIA T6/T5/T4 Ga Ex eb ia IIC/IIB/IIA T6/T5/T4 Gb Ex tb IIIC T80°C/T95°C/T135°C Db Ex ia IIC T80°C/T95°C/T135°C Da -60 °C...+40/+55/+90 °C
EAC certificate	C-DE.HB07.B.00089/20	AEx certificate	E223792
EAC marking	1Ex e IIC/IIB/IIA T6/T5/T4 Gb 0Ex ia IIC/IIB/IIA T6/T5/T4 Ga 1Ex e ia IIC/IIB/IIA T6/T5/T4 Gb Ex tb IIIC T80°C/T95°C/T135°C Db Ex ia IIIC T80°C/T95°C/T135°C Da	AEx marking	Class I, Zone 1, AEx e IIC Gb T6..T4 Class I, Zone 2, AEx e IIC Gc T6..T4 Class I Div.2 Group A,B,C,D T6..T4 Class II Div.2 Group F,G Zone 21, AEx tb IIIC Db
INMETRO certificate	IEx 17.0021		
INMETRO marking	Ex eb IIC T6/T5/T4 Gb Ex ia IIC T6/T5/T4 Ga Ex eb ia IIC T6/T5/T4 Gb Ex tb IIIC 85°C/100°C/135°C Db IP66/IP67 Ex ia IIIC 85°C/100°C/135°C Da		
<b>Note</b>	Labelling depends on the application layout. Limited to IP66 protection when used in temperatures greater than 105 °C. For details of power dissipation, please contact your Weidmüller representative. Additional approvals available on request.		

# Klippon® TB – Integrate, expand, and customise: The perfect supplement to every application

The fully structured range of system accessories for the Klippon® TB enclosure range allows you to easily adapt the enclosure to meet the specific requirements of every application.

The following options are available:

## 1 Document holder

Document holders for storage of important documents in the enclosure.

## 2 Earthing studs

Earthing studs are replaceable. Available in two versions – brass and stainless steel.

## 3 Gland plates

Flange plates in two thicknesses designed for easy on -replacement.

## 4 Mounting plates

Mounting plates with and without a drilling pattern, for horizontal and vertical mounting of rails, or components fitted directly.

## 5 Mounting hardware kits

Mounting hardware kits are available for quick and easy installation of label holders, mounting plates, gland plates, document holders, and rain hoods.

## 6 Door stay

A door stay prevents the door from being closed unintentionally, regardless of the mounting position of the enclosure. This item is **only** available Ex-works.

## 7 Locking systems

Various locking systems are available for the safe and orderly securing of the enclosure. Different screw types for the Klippon® TB MH and FS and different lock inserts for the Klippon® TB QL.

## 8 Type label holder

A range of nameplate holders are available for the prominent display of required and additional nameplates.

## 9 Rain hoods

The rain hood provides an ideal, additional level of protection for the enclosure. Particularly useful against heavy rainfall or extreme levels of direct sunlight.

## 10 Viewing window in the enclosure cover

Viewing window in the enclosure cover for the easy monitoring of active components or operating status.

## 11 EMC optimisation

For the improved electromagnetic shielding of sensitive components, we offer individual EMC optimisations, e.g. special EMC gaskets.

## 12 Laboratory tests

Thanks to our accredited laboratory, we can carry further customised tests and approvals.







Height / Width / Depth 229 / 152 / 133 mm

**Ordering data**

Stainless steel 1.4404 316L, electropolished	Order No.
0 gland plates	119450000
1 gland plate - positioned at the bottom (B)	1194560000
3 gland plates - positioned at bottom, left and right (B, C & D)	1194580000

**Note**

**Accessories**

Mounting plates and fastening screws	Order No.
Steel sheet, zinc plated	1193930000
With hole pattern, sheet steel, galvanised	2022050000
Stainless steel 1.4301 natural	1193810000
With hole pattern, natural stainless steel 1.4301	1257650000
Fastening screws for mounting plates	0642600000
Fastening screws for terminal rails*	1274150000

Mounting rails**, TS35x7.5	Order No.
Horizontally	8000006720
Vertical	8000006708

Stainless steel spacer M6 x 8, Set of 4	Order No.
10 mm length	0935110000
15 mm length	0935120000
20 mm length	0935130000
30 mm length	0935140000

Gland plates - 3 mm with M6 earth studs	Order No.
Top and bottom sides (A & B), electropolished stainless steel 1.4404	2022770000
Left and right sides (C & D), electropolished stainless steel 1.4404	2022900000

Gland plates and screws - 6 mm	Order No.
Top and bottom sides (A & B), electropolished stainless steel 1.4404	1256270000
Left and right sides (C & D), electropolished stainless steel 1.4404	1256280000
Mounting screw, stainless steel 1.4404	1253230000

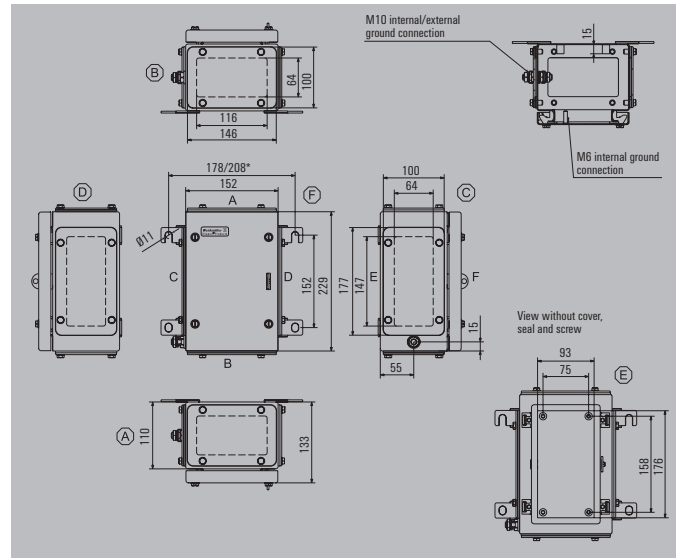
Rain hoods	Order No.
Stainless steel 1.4301, mirror-polished	1281360000
Stainless steel 1.4404, electro-polished	1314090000

Label holder	Order No.
70 x 70 angled stainless steel 1.4301	1279320000

Set of fixings*	Order No.
For label holders, rain hoods and document holders (rivet)	1252190000
For plastic (Trafolyte), identification plate (screw)	1285200000

Earthing stud	Order No.
Stainless steel 1.4404, M10	1192690000

**Note** \*Packing unit (PU) = 20 pcs., sufficient for 10 fixtures  
\*\*Packing unit (PU) = 20 pcs., fixing screws 1274150000 available separately



**Guide value for max. number of terminals (industry)**

Assembly with terminal	vertical	horizontal
2.5 mm <sup>2</sup>	1x26	1x10
4 mm <sup>2</sup>	1x21	1x8
6 mm <sup>2</sup>	1x16	1x6
10 mm <sup>2</sup>	1x13	1x4
16 mm <sup>2</sup>	1x10	1x3
35 mm <sup>2</sup>	1x7	1x2

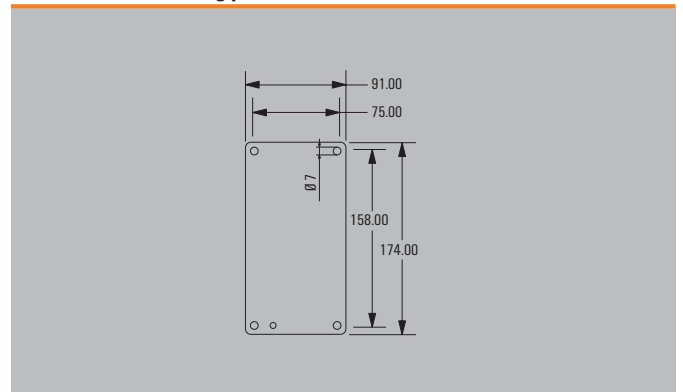
**Note** \*For the enclosure versions with no, one or two gland plates, the horizontal distance of the mounting feet is reduced by 30 mm. When mounting modular terminals please leave a distance of 10 mm to the ends of the DIN rail. Ordering recommendations: TS 35 Mounting rail with clamping yoke technology WDU, spring-cage terminal ZDU or PUSH IN technology AZC TS 32 Mounting rail with clamping yoke technology SAK TS 15 Mounting rail with clamping yoke technology AKZ Order information for terminal blocks, please refer to online catalogue

**Guide value for max. number of cable entries**

Cable entries	A / B	C / D
M12	6	8
M16	5	6
M20	2	3
M25	2	2
M32	1	2
M40	1	2
M50	0	0
M63	0	0
M75	0	0

**Note** Our IP 68 brass cable glands serve as a reference for these recommended values.

**Dimensions of mounting plate**





Height / Width / Depth 260 / 260 / 150 mm

**Ordering data**

Stainless steel 1.4404 316L, electropolished	Order No.
0 gland plates	1194600000
1 gland plate - positioned at the bottom (B)	1194610000
3 gland plates - positioned at bottom, left and right (B, C & D)	1194630000

**Note**

**Accessories**

Mounting plates and fastening screws	Order No.
Steel sheet, zinc plated	1193950000
With hole pattern, sheet steel, galvanised	2022060000
Stainless steel 1.4301 natural	1193820000
With hole pattern, natural stainless steel 1.4301	1257660000
Fastening screws for mounting plates	0642600000
Fastening screws for terminal rails*	1274150000

Mounting rails**, TS35x7.5	Order No.
Horizontally	8000006721
Vertical	8000006709

Stainless steel spacer M6 x 8, Set of 4	Order No.
10 mm length	0935110000
15 mm length	0935120000
20 mm length	0935130000
30 mm length	0935140000

Gland plates - 3 mm with M6 earth studs	Order No.
Top and bottom sides (A & B), electropolished stainless steel 1.4404	2022930000
Left and right sides (C & D), electropolished stainless steel 1.4404	2023090000

Gland plates and screws - 6 mm	Order No.
Top and bottom sides (A & B), electropolished stainless steel 1.4404	1256290000
Left and right sides (C & D), electropolished stainless steel 1.4404	1256310000
Mounting screw, stainless steel 1.4404	1253230000

Rain hoods	Order No.
Stainless steel 1.4301, mirror-polished	1281370000
Stainless steel 1.4404, electro-polished	1314100000

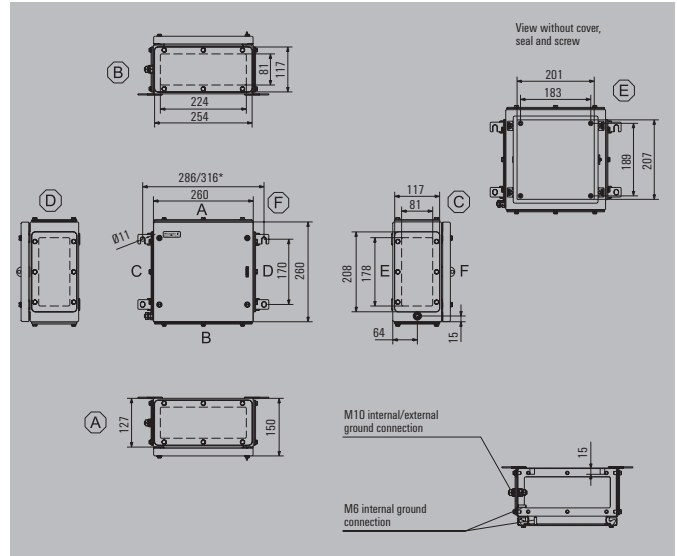
Label holder	Order No.
70 x 70 angled stainless steel 1.4301	1279320000
130x50 stainless steel 1.4301	1283450000
100x25 stainless steel 1.4301	1257640000

Document holders	Order No.
For DIN A6 size documents	1252780000

Set of fixings*	Order No.
For label holders, rain hoods and document holders (rivet)	1252190000
For plastic (Trafolyte), identification plate (screw)	1285200000

Earthing stud	Order No.
Stainless steel 1.4404, M10	1192690000

**Note** \*Packing unit (PU) = 20 pcs., sufficient for 10 fixtures  
\*\*Packing unit (PU) = 20 pcs., fixing screws 1274150000 available separately



**Guide value for max. number of terminals (industry)**

Assembly with terminal	vertical	horizontal
2.5 mm <sup>2</sup>	2x31	2x31
4 mm <sup>2</sup>	1x26	1x26
6 mm <sup>2</sup>	1x19	1x19
10 mm <sup>2</sup>	1x15	1x15
16 mm <sup>2</sup>	1x12	1x12
35 mm <sup>2</sup>	1x9	1x9

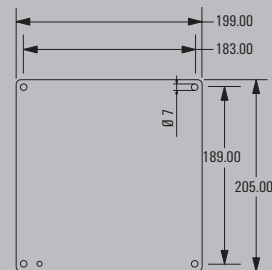
**Note** \*For the enclosure versions with no, one or two gland plates, the horizontal distance of the mounting feet is reduced by 30 mm.  
When mounting modular terminals please leave a distance of 10 mm to the ends of the DIN rail.  
Ordering recommendations:  
TS 35 Mounting rail with clamping yoke technology WDU, spring-cage terminal ZDU or PUSH IN technology AZC  
TS 32 Mounting rail with clamping yoke technology SAK  
TS 15 Mounting rail with clamping yoke technology AKZ  
Order information for terminal blocks, please refer to online catalogue

**Guide value for max. number of cable entries**

Cable entries	A / B	C / D
M12	20	15
M16	11	8
M20	9	7
M25	4	3
M32	3	2
M40	3	2
M50	2	2
M63	0	0
M75	0	0

**Note** Our IP 68 brass cable glands serve as a reference for these recommended values.

**Dimensions of mounting plate**





Height / Width / Depth 260 / 260 / 200 mm

**Ordering data**

Stainless steel 1.4404 316L, electropolished	Order No.
0 gland plates	1194650000
1 gland plate - positioned at the bottom (B)	1194660000
3 gland plates - positioned at bottom, left and right (B, C & D)	1194680000

**Note**

**Accessories**

Mounting plates and fastening screws	Order No.
Steel sheet, zinc plated	1193950000
With hole pattern, sheet steel, galvanised	2022060000
Stainless steel 1.4301 natural	1193820000
With hole pattern, natural stainless steel 1.4301	1257660000
Fastening screws for mounting plates	0642600000
Fastening screws for terminal rails*	1274150000

Mounting rails**, TS35x7.5	Order No.
Horizontally	8000006721
Vertical	8000006709

Stainless steel spacer M6 x 8, Set of 4	Order No.
10 mm length	0935110000
15 mm length	0935120000
20 mm length	0935130000
30 mm length	0935140000

Gland plates - 3 mm with M6 earth studs	Order No.
Top and bottom sides (A & B), electropolished stainless steel 1.4404	2023100000
Left and right sides (C & D), electropolished stainless steel 1.4404	2023110000

Gland plates and screws - 6 mm	Order No.
Top and bottom sides (A & B), electropolished stainless steel 1.4404	1256320000
Left and right sides (C & D), electropolished stainless steel 1.4404	1256330000
Mounting screw, stainless steel 1.4404	1253230000

Rain hoods	Order No.
Stainless steel 1.4301, mirror-polished	1281380000
Stainless steel 1.4404, electro-polished	1314110000

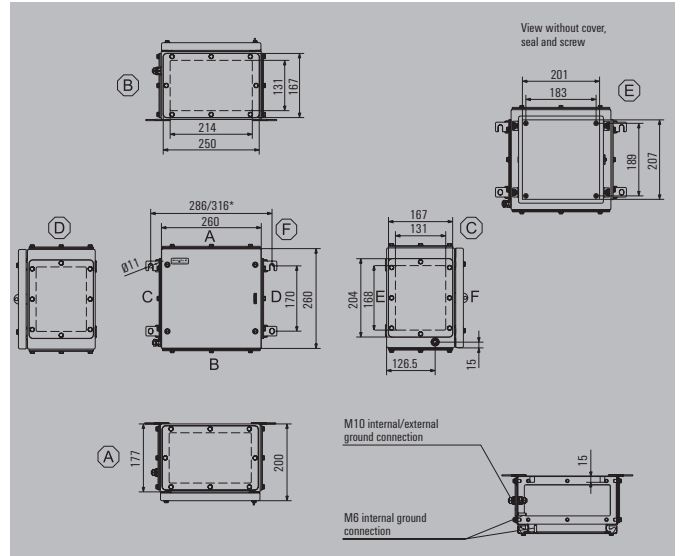
Label holder	Order No.
70 x 70 angled stainless steel 1.4301	1279320000
130x50 stainless steel 1.4301	1283450000
100x25 stainless steel 1.4301	1257640000

Document holders	Order No.
For DIN A6 size documents	1252780000

Set of fixings*	Order No.
For label holders, rain hoods and document holders (rivet)	1252190000
For plastic (Trafolyte), identification plate (screw)	1285200000

Earthing stud	Order No.
Stainless steel 1.4404, M10	1192690000

**Note** \*Packing unit (PU) = 20 pcs., sufficient for 10 fixtures  
\*\*Packing unit (PU) = 20 pcs., fixing screws 1274150000 available separately



**Guide value for max. number of terminals (industry)**

Assembly with terminal	vertical	horizontal
2.5 mm <sup>2</sup>	2x31	2x31
4 mm <sup>2</sup>	1x26	1x26
6 mm <sup>2</sup>	1x19	1x19
10 mm <sup>2</sup>	1x15	1x15
16 mm <sup>2</sup>	1x12	1x12
35 mm <sup>2</sup>	1x9	1x9

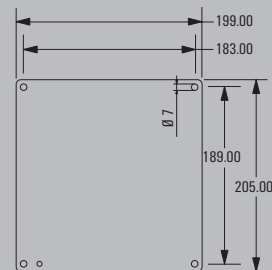
**Note** \*For the enclosure versions with no, one or two gland plates, the horizontal distance of the mounting feet is reduced by 30 mm.  
When mounting modular terminals please leave a distance of 10 mm to the ends of the DIN rail.  
Ordering recommendations:  
TS 35 Mounting rail with clamping yoke technology WDU, spring-cage terminal ZDU or PUSH IN technology AZC  
TS 32 Mounting rail with clamping yoke technology SAK  
TS 15 Mounting rail with clamping yoke technology AKZ  
Order information for terminal blocks, please refer to online catalogue

**Guide value for max. number of cable entries**

Cable entries	A / B	C / D
M12	33	25
M16	22	16
M20	14	11
M25	12	9
M32	6	4
M40	5	4
M50	2	2
M63	2	1
M75	1	1

**Note** Our IP 68 brass cable glands serve as a reference for these recommended values.

**Dimensions of mounting plate**





Height / Width / Depth 306 / 306 / 150 mm

**Ordering data**

Stainless steel 1.4404 316L, electropolished	Order No.
0 gland plates	1194700000
1 gland plate - positioned at the bottom (B)	1194710000
3 gland plates - positioned at bottom, left and right (B, C & D)	1194730000

**Note**

**Accessories**

Mounting plates and fastening screws	Order No.
Steel sheet, zinc plated	1193960000
With hole pattern, sheet steel, galvanised	2022190000
Stainless steel 1.4301 natural	1193830000
With hole pattern, natural stainless steel 1.4301	1257670000
Fastening screws for mounting plates	0642600000
Fastening screws for terminal rails*	1274150000

Mounting rails**, TS35x7.5	Order No.
Horizontally	8000006722
Vertical	8000006710

Stainless steel spacer M6 x 8, Set of 4	Order No.
10 mm length	0935110000
15 mm length	0935120000
20 mm length	0935130000
30 mm length	0935140000

Gland plates - 3 mm with M6 earth studs	Order No.
Top and bottom sides (A & B), electropolished stainless steel 1.4404	2023120000
Left and right sides (C & D), electropolished stainless steel 1.4404	2023130000

Gland plates and screws - 6 mm	Order No.
Top and bottom sides (A & B), electropolished stainless steel 1.4404	1256340000
Left and right sides (C & D), electropolished stainless steel 1.4404	1256350000
Mounting screw, stainless steel 1.4404	1253230000

Rain hoods	Order No.
Stainless steel 1.4301, mirror-polished	1281390000
Stainless steel 1.4404, electro-polished	1314120000

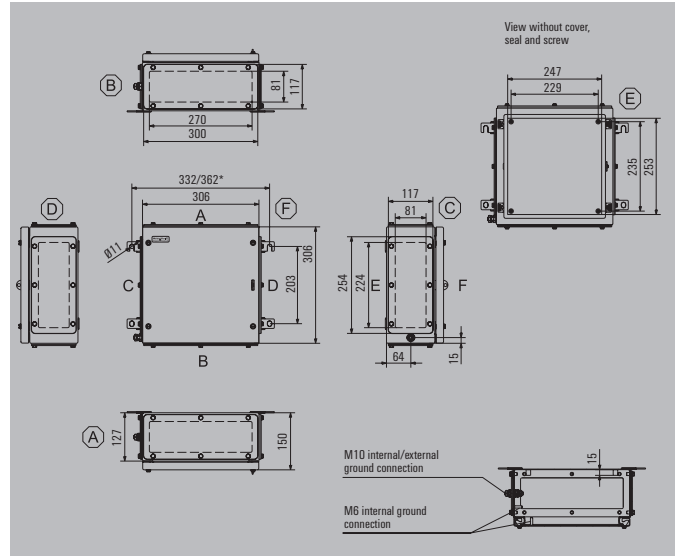
Label holder	Order No.
70 x 70 angled stainless steel 1.4301	1279320000
130x50 stainless steel 1.4301	1283450000
100x25 stainless steel 1.4301	1257640000

Document holders	Order No.
For DIN A6 size documents	1252780000

Set of fixings*	Order No.
For label holders, rain hoods and document holders (rivet)	1252190000
For plastic (Trafolyte), identification plate (screw)	1285200000

Earthing stud	Order No.
Stainless steel 1.4404, M10	1192690000

**Note** \*Packing unit (PU) = 20 pcs., sufficient for 10 fixtures  
\*\*Packing unit (PU) = 20 pcs., fixing screws 1274150000 available separately



**Guide value for max. number of terminals (industry)**

Assembly with terminal	vertical	horizontal
2.5 mm <sup>2</sup>	1x41	2x40
4 mm <sup>2</sup>	1x34	2x33
6 mm <sup>2</sup>	1x25	2x25
10 mm <sup>2</sup>	1x20	1x20
16 mm <sup>2</sup>	1x17	1x16
35 mm <sup>2</sup>	1x12	1x12

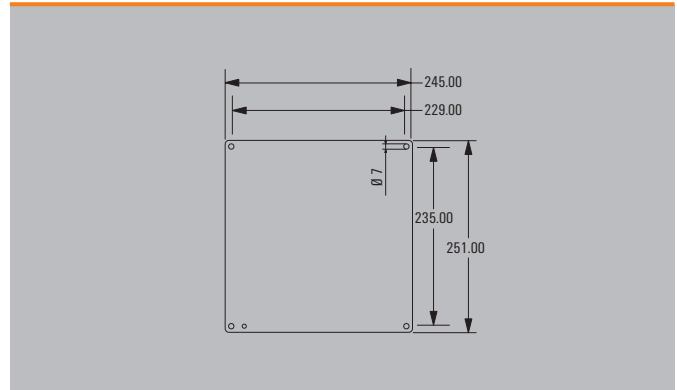
**Note** \*For the enclosure versions with no, one or two gland plates, the horizontal distance of the mounting feet is reduced by 30 mm. When mounting modular terminals please leave a distance of 10 mm to the ends of the DIN rail. Ordering recommendations: TS 35 Mounting rail with clamping yoke technology WDU, spring-cage terminal ZDU or PUSH IN technology AZC TS 32 Mounting rail with clamping yoke technology SAK TS 15 Mounting rail with clamping yoke technology AKZ Order information for terminal blocks, please refer to online catalogue

**Guide value for max. number of cable entries**

Cable entries	A / B	C / D
M12	24	20
M16	13	11
M20	11	9
M25	5	4
M32	4	3
M40	3	3
M50	3	2
M63	0	0
M75	0	0

**Note** Our IP 68 brass cable glands serve as a reference for these recommended values.

**Dimensions of mounting plate**





Height / Width / Depth 306 / 306 / 200 mm

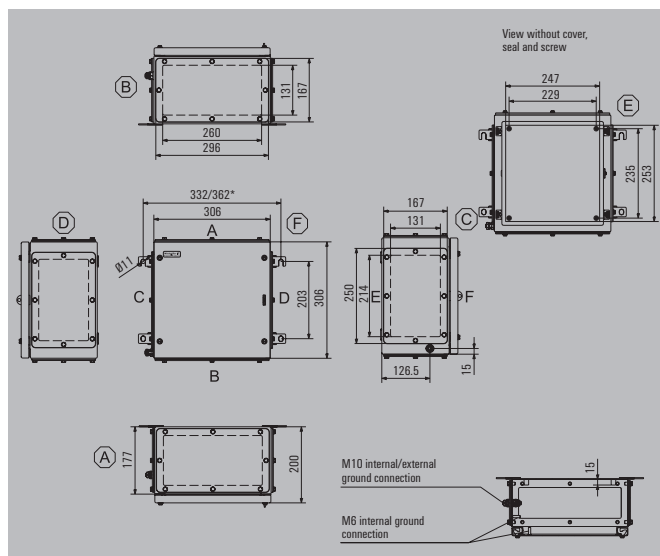
**Ordering data**

Stainless steel 1.4404 316L, electropolished	Order No.
0 gland plates	1194750000
1 gland plate - positioned at the bottom (B)	1194760000
3 gland plates - positioned at bottom, left and right (B, C & D)	1194780000
<b>Note</b>	

**Accessories**

Mounting plates and fastening screws	Order No.
Steel sheet, zinc plated	1193960000
With hole pattern, sheet steel, galvanised	2022190000
Stainless steel 1.4301 natural	1193830000
With hole pattern, natural stainless steel 1.4301	1257670000
Fastening screws for mounting plates	0642600000
Fastening screws for terminal rails*	1274150000
<b>Mounting rails**, TS35x7.5</b>	
Horizontally	8000006722
Vertical	8000006710
<b>Stainless steel spacer M6 x 8, Set of 4</b>	
10 mm length	0935110000
15 mm length	0935120000
20 mm length	0935130000
30 mm length	0935140000
<b>Gland plates - 3 mm with M6 earth studs</b>	
Top and bottom sides (A & B), electropolished stainless steel 1.4404	2023140000
Left and right sides (C & D), electropolished stainless steel 1.4404	2023150000
<b>Gland plates and screws - 6 mm</b>	
Top and bottom sides (A & B), electropolished stainless steel 1.4404	1256360000
Left and right sides (C & D), electropolished stainless steel 1.4404	1256370000
Mounting screw, stainless steel 1.4404	1253230000
<b>Rain hoods</b>	
Stainless steel 1.4301, mirror-polished	1281400000
Stainless steel 1.4404, electro-polished	1314130000
<b>Label holder</b>	
70 x 70 angled stainless steel 1.4301	1279320000
130x50 stainless steel 1.4301	1283450000
100x25 stainless steel 1.4301	1257640000
<b>Document holders</b>	
For DIN A6 size documents	1252780000
<b>Set of fixings*</b>	
For label holders, rain hoods and document holders (rivet)	1252190000
For plastic (Trafolyte), identification plate (screw)	1285200000
<b>Earthing stud</b>	
Stainless steel 1.4404, M10	1192690000

**Note** \*Packing unit (PU) = 20 pcs., sufficient for 10 fixtures  
\*\*Packing unit (PU) = 20 pcs., fixing screws 1274150000 available separately



**Guide value for max. number of terminals (industry)**

Assembly with terminal	vertical	horizontal
2.5 mm <sup>2</sup>	1x41	2x40
4 mm <sup>2</sup>	1x34	2x33
6 mm <sup>2</sup>	1x25	2x25
10 mm <sup>2</sup>	1x20	1x20
16 mm <sup>2</sup>	1x17	1x16
35 mm <sup>2</sup>	1x12	1x12

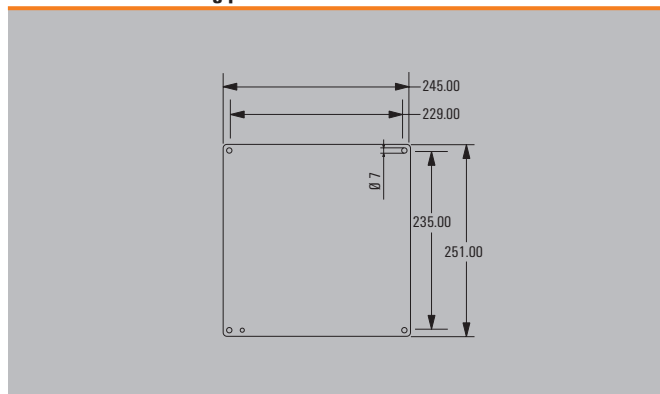
**Note** \*For the enclosure versions with no, one or two gland plates, the horizontal distance of the mounting feet is reduced by 30 mm. When mounting modular terminals please leave a distance of 10 mm to the ends of the DIN rail. Ordering recommendations: TS 35 Mounting rail with clamping yoke technology WDU, spring-cage terminal ZDU or PUSH IN technology AZC TS 32 Mounting rail with clamping yoke technology SAK TS 15 Mounting rail with clamping yoke technology AKZ Order information for terminal blocks, please refer to online catalogue

**Guide value for max. number of cable entries**

Cable entries	A / B	C / D
M12	40	33
M16	26	22
M20	17	14
M25	14	12
M32	8	6
M40	6	5
M50	3	2
M63	2	2
M75	2	1

**Note** Our IP 68 brass cable glands serve as a reference for these recommended values.

**Dimensions of mounting plate**





Height / Width / Depth 350 / 260 / 150 mm

**Ordering data**

Stainless steel 1.4404 316L, electropolished	Order No.
0 gland plates	1194800000
1 gland plate - positioned at the bottom (B)	1194810000
3 gland plates - positioned at bottom, left and right (B, C & D)	1194830000

**Note**

**Accessories**

Mounting plates and fastening screws	Order No.
Steel sheet, zinc plated	1193970000
With hole pattern, sheet steel, galvanised	2022310000
Stainless steel 1.4301 natural	1193840000
With hole pattern, natural stainless steel 1.4301	1257680000
Fastening screws for mounting plates	0642600000
Fastening screws for terminal rails*	1274150000

Mounting rails**, TS35x7.5	Order No.
Horizontally	8000006721
Vertical	8000006711

Stainless steel spacer M6 x 8, Set of 4	Order No.
10 mm length	0935110000
15 mm length	0935120000
20 mm length	0935130000
30 mm length	0935140000

Gland plates - 3 mm with M6 earth studs	Order No.
Top and bottom sides (A & B), electropolished stainless steel 1.4404	2023160000
Left and right sides (C & D), electropolished stainless steel 1.4404	2023210000

Gland plates and screws - 6 mm	Order No.
Top and bottom sides (A & B), electropolished stainless steel 1.4404	1256380000
Left and right sides (C & D), electropolished stainless steel 1.4404	1256390000
Mounting screw, stainless steel 1.4404	1253230000

Rain hoods	Order No.
Stainless steel 1.4301, mirror-polished	1281410000
Stainless steel 1.4404, electro-polished	1314140000

Label holder	Order No.
70 x 70 angled stainless steel 1.4301	1279320000
130x50 stainless steel 1.4301	1283450000
100x25 stainless steel 1.4301	1257640000

Document holders	Order No.
For DIN A6 size documents	1252780000

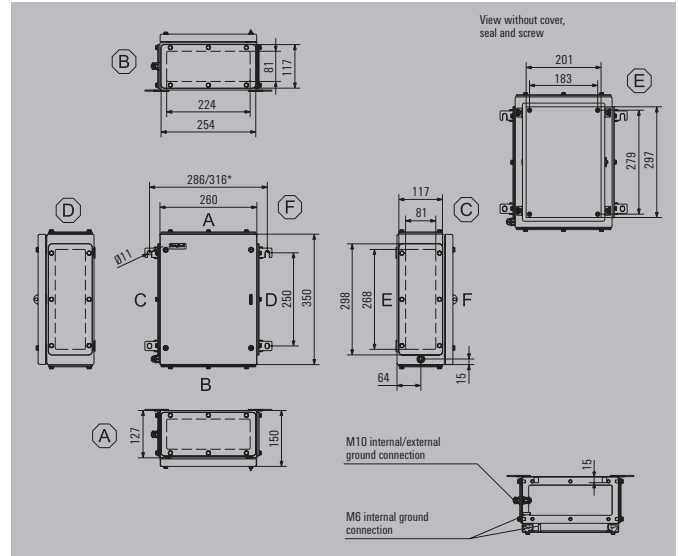
  

Set of fixings*	Order No.
For label holders, rain hoods and document holders (rivet)	1252190000
For plastic (Trafolyte), identification plate (screw)	1285200000

Earthing stud	Order No.
Stainless steel 1.4404, M10	1192690000

**Note** \*Packing unit (PU) = 20 pcs., sufficient for 10 fixtures  
 \*\*Packing unit (PU) = 20 pcs., fixing screws 1274150000 available separately



**Guide value for max. number of terminals (industry)**

Assembly with terminal	vertical	horizontal
2.5 mm <sup>2</sup>	2x49	2x31
4 mm <sup>2</sup>	1x41	2x26
6 mm <sup>2</sup>	1x31	2x19
10 mm <sup>2</sup>	1x25	2x15
16 mm <sup>2</sup>	1x20	1x12
35 mm <sup>2</sup>	1x15	1x9

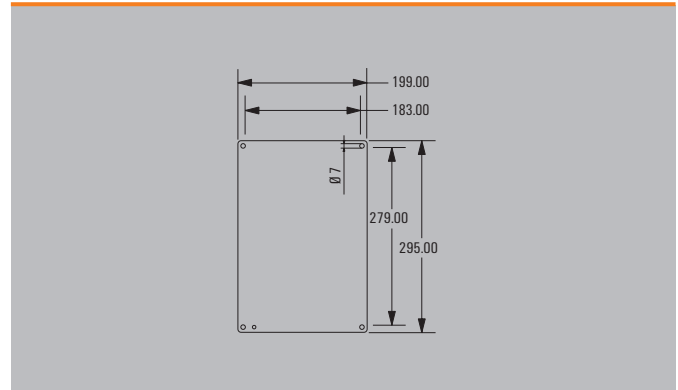
**Note** \*For the enclosure versions with no, one or two gland plates, the horizontal distance of the mounting feet is reduced by 30 mm.  
 When mounting modular terminals please leave a distance of 10 mm to the ends of the DIN rail.  
 Ordering recommendations:  
 TS 35 Mounting rail with clamping yoke technology WDU, spring-cage terminal ZDU or PUSH IN technology AZC  
 TS 32 Mounting rail with clamping yoke technology SAK  
 TS 15 Mounting rail with clamping yoke technology AKZ  
 Order information for terminal blocks, please refer to online catalogue

**Guide value for max. number of cable entries**

Cable entries	A / B	C / D
M12	20	23
M16	11	13
M20	9	11
M25	4	5
M32	3	4
M40	3	3
M50	2	3
M63	0	0
M75	0	0

**Note** Our IP 68 brass cable glands serve as a reference for these recommended values.

**Dimensions of mounting plate**





Height / Width / Depth 350 / 260 / 200 mm

**Ordering data**

Stainless steel 1.4404 316L, electropolished	Order No.
0 gland plates	1194850000
1 gland plate - positioned at the bottom (B)	1194860000
3 gland plates - positioned at bottom, left and right (B, C & D)	1194880000

**Note**

**Accessories**

Mounting plates and fastening screws	Order No.
Steel sheet, zinc plated	1193970000
With hole pattern, sheet steel, galvanised	2022310000
Stainless steel 1.4301 natural	1193840000
With hole pattern, natural stainless steel 1.4301	1257680000
Fastening screws for mounting plates	0642600000
Fastening screws for terminal rails*	1274150000

Mounting rails**, TS35x7.5	Order No.
Horizontally	8000006721
Vertical	8000006711

Stainless steel spacer M6 x 8, Set of 4	Order No.
10 mm length	0935110000
15 mm length	0935120000
20 mm length	0935130000
30 mm length	0935140000

Gland plates - 3 mm with M6 earth studs	Order No.
Top and bottom sides (A & B), electropolished stainless steel 1.4404	2023230000
Left and right sides (C & D), electropolished stainless steel 1.4404	2023280000

Gland plates and screws - 6 mm	Order No.
Top and bottom sides (A & B), electropolished stainless steel 1.4404	1256410000
Left and right sides (C & D), electropolished stainless steel 1.4404	1256420000
Mounting screw, stainless steel 1.4404	1253230000

Rain hoods	Order No.
Stainless steel 1.4301, mirror-polished	1281420000
Stainless steel 1.4404, electro-polished	1314150000

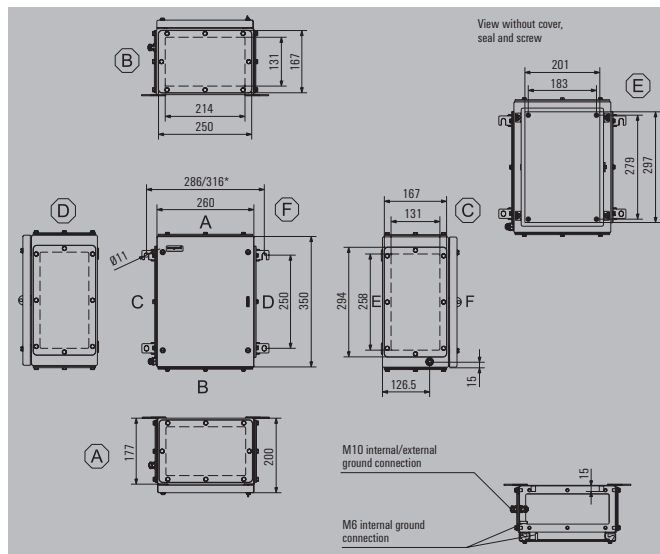
Label holder	Order No.
70 x 70 angled stainless steel 1.4301	1279320000
130x50 stainless steel 1.4301	1283450000
100x25 stainless steel 1.4301	1257640000

Document holders	Order No.
For DIN A6 size documents	1252780000

Set of fixings*	Order No.
For label holders, rain hoods and document holders (rivet)	1252190000
For plastic (Trafolyte), identification plate (screw)	1285200000

Earthing stud	Order No.
Stainless steel 1.4404, M10	1192690000

**Note** \*Packing unit (PU) = 20 pcs., sufficient for 10 fixtures  
\*\*Packing unit (PU) = 20 pcs., fixing screws 1274150000 available separately



**Guide value for max. number of terminals (industry)**

Assembly with terminal	vertical	horizontal
2.5 mm <sup>2</sup>	2x49	2x31
4 mm <sup>2</sup>	1x41	2x26
6 mm <sup>2</sup>	1x31	2x19
10 mm <sup>2</sup>	1x25	2x15
16 mm <sup>2</sup>	1x20	1x12
35 mm <sup>2</sup>	1x15	1x9

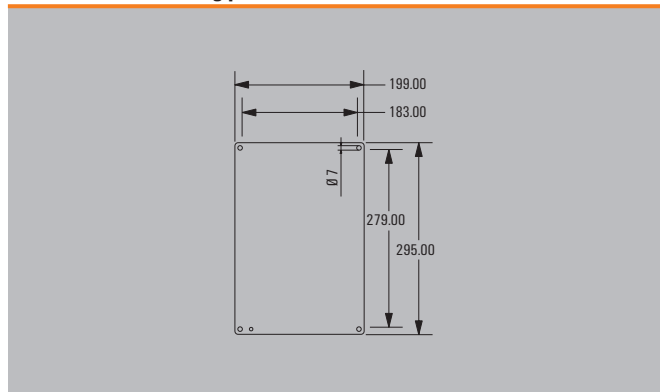
**Note** \*For the enclosure versions with no, one or two gland plates, the horizontal distance of the mounting feet is reduced by 30 mm.  
When mounting modular terminals please leave a distance of 10 mm to the ends of the DIN rail.  
Ordering recommendations:  
TS 35 Mounting rail with clamping yoke technology WDU, spring-cage terminal ZDU or PUSH IN technology AZC  
TS 32 Mounting rail with clamping yoke technology SAK  
TS 15 Mounting rail with clamping yoke technology AKZ  
Order information for terminal blocks, please refer to online catalogue

**Guide value for max. number of cable entries**

Cable entries	A / B	C / D
M12	33	38
M16	22	26
M20	14	17
M25	12	14
M32	6	7
M40	5	6
M50	2	3
M63	2	2
M75	1	2

**Note** Our IP 68 brass cable glands serve as a reference for these recommended values.

**Dimensions of mounting plate**







Height / Width / Depth 400 / 300 / 150 mm

**Ordering data**

Stainless steel 1.4404 316L, electropolished	Order No.
0 gland plates	1194900000
1 gland plate - positioned at the bottom (B)	1194910000
3 gland plates - positioned at bottom, left and right (B, C & D)	1194930000

**Note**

**Accessories**

Mounting plates and fastening screws	Order No.
Steel sheet, zinc plated	1193980000
With hole pattern, sheet steel, galvanised	2022420000
Stainless steel 1.4301 natural	1193850000
With hole pattern, natural stainless steel 1.4301	1257690000
Fastening screws for mounting plates	0642600000
Fastening screws for terminal rails*	1274150000

Mounting rails**, TS35x7.5	Order No.
Horizontally	8000006723
Vertical	8000006712

Stainless steel spacer M6 x 8, Set of 4	Order No.
10 mm length	0935110000
15 mm length	0935120000
20 mm length	0935130000
30 mm length	0935140000

Gland plates - 3 mm with M6 earth studs	Order No.
Top and bottom sides (A & B), electropolished stainless steel 1.4404	2023320000
Left and right sides (C & D), electropolished stainless steel 1.4404	2023330000

Gland plates and screws - 6 mm	Order No.
Top and bottom sides (A & B), electropolished stainless steel 1.4404	1256430000
Left and right sides (C & D), electropolished stainless steel 1.4404	1256440000
Mounting screw, stainless steel 1.4404	1253230000

Rain hoods	Order No.
Stainless steel 1.4301, mirror-polished	1281430000
Stainless steel 1.4404, electro-polished	1314170000

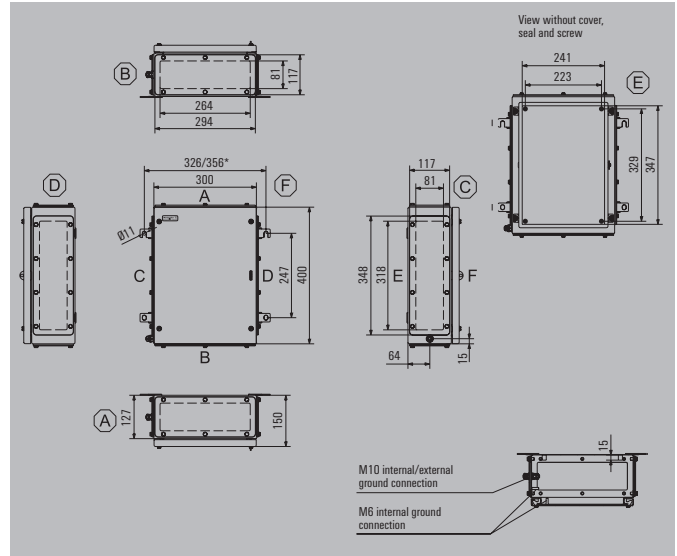
Label holder	Order No.
70 x 70 angled stainless steel 1.4301	1279320000
130x50 stainless steel 1.4301	1283450000
100x25 stainless steel 1.4301	1257640000

Document holders	Order No.
For DIN A6 size documents	1252780000

Set of fixings*	Order No.
For label holders, rain hoods and document holders (rivet)	1252190000
For plastic (Trafolyte), identification plate (screw)	1285200000

Earthing stud	Order No.
Stainless steel 1.4404, M10	1192690000

**Note** \*Packing unit (PU) = 20 pcs., sufficient for 10 fixtures  
\*\*Packing unit (PU) = 20 pcs., fixing screws 1274150000 available separately



**Guide value for max. number of terminals (industry)**

Assembly with terminal	vertical	horizontal
2.5 mm <sup>2</sup>	2x59	3x39
4 mm <sup>2</sup>	2x49	3x32
6 mm <sup>2</sup>	1x37	2x24
10 mm <sup>2</sup>	1x30	2x19
16 mm <sup>2</sup>	1x24	2x16
35 mm <sup>2</sup>	1x18	1x11

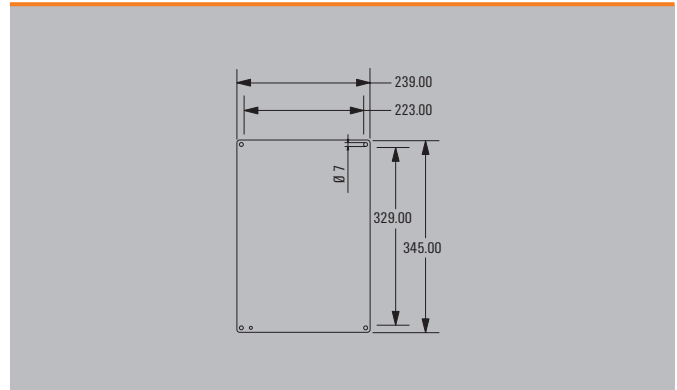
**Note** \*For the enclosure versions with no, one or two gland plates, the horizontal distance of the mounting feet is reduced by 30 mm. When mounting modular terminals please leave a distance of 10 mm to the ends of the DIN rail. Ordering recommendations: TS 35 Mounting rail with clamping yoke technology WDU, spring-cage terminal ZDU or PUSH IN technology AZC TS 32 Mounting rail with clamping yoke technology SAK TS 15 Mounting rail with clamping yoke technology AKZ Order information for terminal blocks, please refer to online catalogue

**Guide value for max. number of cable entries**

Cable entries	A / B	C / D
M12	23	29
M16	13	16
M20	11	13
M25	5	6
M32	4	5
M40	3	4
M50	3	3
M63	0	0
M75	0	0

**Note** Our IP 68 brass cable glands serve as a reference for these recommended values.

**Dimensions of mounting plate**





Height / Width / Depth 400 / 300 / 200 mm

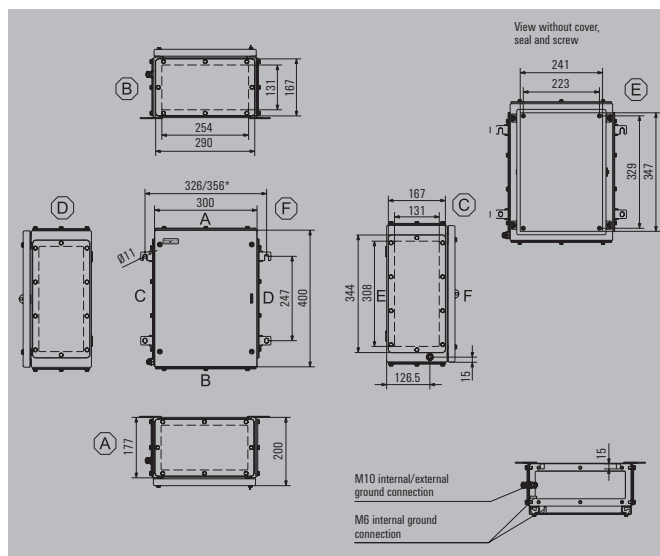
**Ordering data**

Stainless steel 1.4404 316L, electropolished	Order No.
0 gland plates	1194950000
1 gland plate - positioned at the bottom (B)	1194960000
3 gland plates - positioned at bottom, left and right (B, C & D)	1194980000
<b>Note</b>	

**Accessories**

Mounting plates and fastening screws	Order No.
Steel sheet, zinc plated	1193980000
With hole pattern, sheet steel, galvanised	2022420000
Stainless steel 1.4301 natural	1193850000
With hole pattern, natural stainless steel 1.4301	1257690000
Fastening screws for mounting plates	0642600000
Fastening screws for terminal rails*	1274150000
<b>Mounting rails**, TS35x7.5</b>	
Horizontally	8000006723
Vertical	8000006712
<b>Stainless steel spacer M6 x 8, Set of 4</b>	
10 mm length	0935110000
15 mm length	0935120000
20 mm length	0935130000
30 mm length	0935140000
<b>Gland plates - 3 mm with M6 earth studs</b>	
Top and bottom sides (A & B), electropolished stainless steel 1.4404	2023450000
Left and right sides (C & D), electropolished stainless steel 1.4404	2023480000
<b>Gland plates and screws - 6 mm</b>	
Top and bottom sides (A & B), electropolished stainless steel 1.4404	1256450000
Left and right sides (C & D), electropolished stainless steel 1.4404	1256470000
Mounting screw, stainless steel 1.4404	1253230000
<b>Rain hoods</b>	
Stainless steel 1.4301, mirror-polished	1281440000
Stainless steel 1.4404, electro-polished	1314180000
<b>Label holder</b>	
70 x 70 angled stainless steel 1.4301	1279320000
130x50 stainless steel 1.4301	1283450000
100x25 stainless steel 1.4301	1257640000
<b>Document holders</b>	
For DIN A6 size documents	1252780000
<b>Set of fixings*</b>	
For label holders, rain hoods and document holders (rivet)	1252190000
For plastic (Trafolyte), identification plate (screw)	1285200000
<b>Earthing stud</b>	
Stainless steel 1.4404, M10	1192690000

**Note** \*Packing unit (PU) = 20 pcs., sufficient for 10 fixtures  
\*\*Packing unit (PU) = 20 pcs., fixing screws 1274150000 available separately



**Guide value for max. number of terminals (industry)**

Assembly with terminal	vertical	horizontal
2.5 mm <sup>2</sup>	2x59	3x39
4 mm <sup>2</sup>	2x49	3x32
6 mm <sup>2</sup>	1x37	2x24
10 mm <sup>2</sup>	1x30	2x19
16 mm <sup>2</sup>	1x24	2x16
35 mm <sup>2</sup>	1x18	1x11

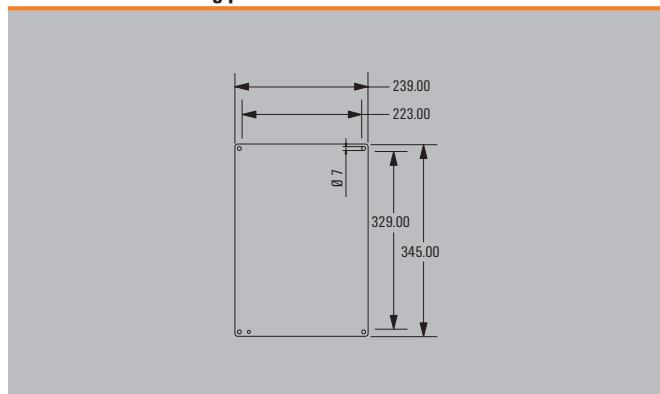
**Note** \*For the enclosure versions with no, one or two gland plates, the horizontal distance of the mounting feet is reduced by 30 mm. When mounting modular terminals please leave a distance of 10 mm to the ends of the DIN rail. Ordering recommendations: TS 35 Mounting rail with clamping yoke technology WDU, spring-cage terminal ZDU or PUSH IN technology AZC TS 32 Mounting rail with clamping yoke technology SAK TS 15 Mounting rail with clamping yoke technology AKZ Order information for terminal blocks, please refer to online catalogue

**Guide value for max. number of cable entries**

Cable entries	A / B	C / D
M12	38	48
M16	26	32
M20	17	20
M25	14	17
M32	7	9
M40	6	7
M50	3	3
M63	2	3
M75	2	2

**Note** Our IP 68 brass cable glands serve as a reference for these recommended values.

**Dimensions of mounting plate**





Height / Width / Depth 458 / 382 / 150 mm

**Ordering data**

Stainless steel 1.4404 316L, electropolished	Order No.
0 gland plates	1195000000
1 gland plate - positioned at the bottom (B)	1195010000
3 gland plates - positioned at bottom, left and right (B, C & D)	1195030000

**Note**

**Accessories**

Mounting plates and fastening screws	Order No.
Steel sheet, zinc plated	1193990000
With hole pattern, sheet steel, galvanised	2022590000
Stainless steel 1.4301 natural	1193860000
With hole pattern, natural stainless steel 1.4301	1257700000
Fastening screws for mounting plates	0642600000
Fastening screws for terminal rails*	1274150000

Mounting rails**, TS35x7.5	Order No.
Horizontally	8000006724
Vertical	8000006713

Stainless steel spacer M6 x 8, Set of 4	Order No.
10 mm length	0935110000
15 mm length	0935120000
20 mm length	0935130000
30 mm length	0935140000

Gland plates - 3 mm with M6 earth studs	Order No.
Top and bottom sides (A & B), electropolished stainless steel 1.4404	2023490000
Left and right sides (C & D), electropolished stainless steel 1.4404	2023500000

Gland plates and screws - 6 mm	Order No.
Top and bottom sides (A & B), electropolished stainless steel 1.4404	1256480000
Left and right sides (C & D), electropolished stainless steel 1.4404	1256490000
Mounting screw, stainless steel 1.4404	1253230000

Rain hoods	Order No.
Stainless steel 1.4301, mirror-polished	1281450000
Stainless steel 1.4404, electro-polished	1314190000

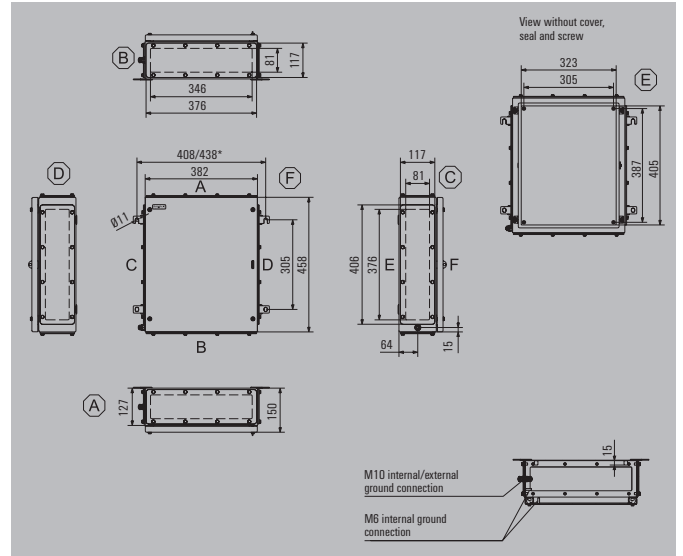
Label holder	Order No.
70 x 70 angled stainless steel 1.4301	1279320000
130x50 stainless steel 1.4301	1283450000
100x25 stainless steel 1.4301	1257640000

Document holders	Order No.
For DIN A6 size documents	1252780000
For DIN A5 size documents	1252750000

Set of fixings*	Order No.
For label holders, rain hoods and document holders (rivet)	1252190000
For plastic (Trafolyte), identification plate (screw)	1285200000

Earthing stud	Order No.
Stainless steel 1.4404, M10	1192690000

**Note** \*Packing unit (PU) = 20 pcs., sufficient for 10 fixtures  
\*\*Packing unit (PU) = 20 pcs., fixing screws 1274150000 available separately



**Guide value for max. number of terminals (industry)**

Assembly with terminal	vertical	horizontal
2.5 mm <sup>2</sup>	3x71	4x54
4 mm <sup>2</sup>	2x59	3x46
6 mm <sup>2</sup>	2x44	3x34
10 mm <sup>2</sup>	2x36	2x27
16 mm <sup>2</sup>	2x29	2x22
35 mm <sup>2</sup>	1x22	1x17

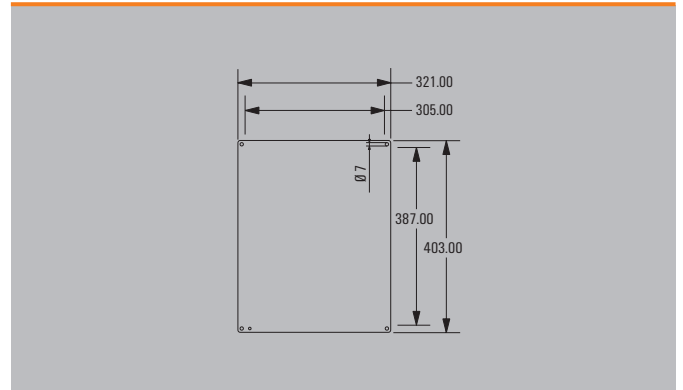
**Note** \*For the enclosure versions with no, one or two gland plates, the horizontal distance of the mounting feet is reduced by 30 mm. When mounting modular terminals please leave a distance of 10 mm to the ends of the DIN rail. Ordering recommendations: TS 35 Mounting rail with clamping yoke technology WDU, spring-cage terminal ZDU or PUSH IN technology AZC TS 32 Mounting rail with clamping yoke technology SAK TS 15 Mounting rail with clamping yoke technology AKZ Order information for terminal blocks, please refer to online catalogue

**Guide value for max. number of cable entries**

Cable entries	A / B	C / D
M12	30	33
M16	17	19
M20	15	16
M25	6	7
M32	5	6
M40	4	5
M50	4	4
M63	0	0
M75	0	0

**Note** Our IP 68 brass cable glands serve as a reference for these recommended values.

**Dimensions of mounting plate**





Height / Width / Depth 458 / 382 / 200 mm

**Ordering data**

Stainless steel 1.4404 316L, electropolished	Order No.
0 gland plates	1195050000
1 gland plate - positioned at the bottom (B)	1195060000
3 gland plates - positioned at bottom, left and right (B, C & D)	1195080000

**Note**

**Accessories**

Mounting plates and fastening screws	Order No.
Steel sheet, zinc plated	1193990000
With hole pattern, sheet steel, galvanised	2022590000
Stainless steel 1.4301 natural	1193860000
With hole pattern, natural stainless steel 1.4301	1257700000
Fastening screws for mounting plates	0642600000
Fastening screws for terminal rails*	1274150000

Mounting rails**, TS35x7.5	Order No.
Horizontally	8000006724
Vertical	8000006713

Stainless steel spacer M6 x 8, Set of 4	Order No.
10 mm length	0935110000
15 mm length	0935120000
20 mm length	0935130000
30 mm length	0935140000

Gland plates - 3 mm with M6 earth studs	Order No.
Top and bottom sides (A & B), electropolished stainless steel 1.4404	2023510000
Left and right sides (C & D), electropolished stainless steel 1.4404	2023520000

Gland plates and screws - 6 mm	Order No.
Top and bottom sides (A & B), electropolished stainless steel 1.4404	1256510000
Left and right sides (C & D), electropolished stainless steel 1.4404	1256520000
Mounting screw, stainless steel 1.4404	1253230000

Rain hoods	Order No.
Stainless steel 1.4301, mirror-polished	1281460000
Stainless steel 1.4404, electro-polished	1314200000

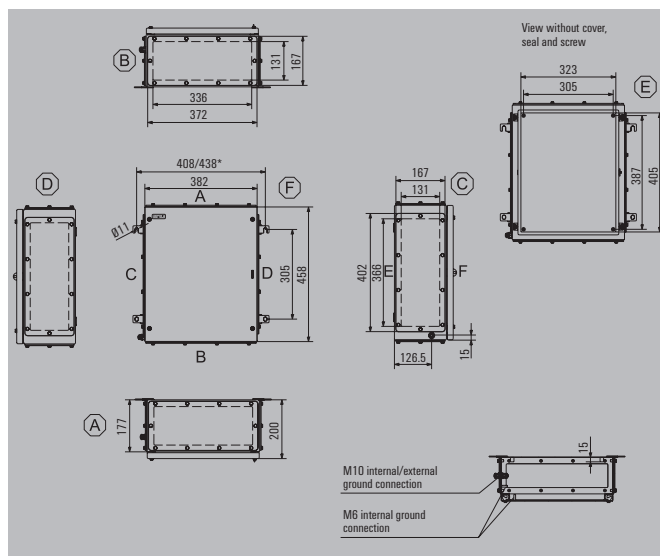
Label holder	Order No.
70 x 70 angled stainless steel 1.4301	1279320000
130x50 stainless steel 1.4301	1283450000
100x25 stainless steel 1.4301	1257640000

Document holders	Order No.
For DIN A6 size documents	1252780000
For DIN A5 size documents	1252750000

Set of fixings*	Order No.
For label holders, rain hoods and document holders (rivet)	1252190000
For plastic (Trafolyte), identification plate (screw)	1285200000

Earthing stud	Order No.
Stainless steel 1.4404, M10	1192690000

**Note** \*Packing unit (PU) = 20 pcs., sufficient for 10 fixtures  
\*\*Packing unit (PU) = 20 pcs., fixing screws 1274150000 available separately



**Guide value for max. number of terminals (industry)**

Assembly with terminal	vertical	horizontal
2.5 mm <sup>2</sup>	3x71	4x54
4 mm <sup>2</sup>	2x59	3x46
6 mm <sup>2</sup>	2x44	3x34
10 mm <sup>2</sup>	2x36	2x27
16 mm <sup>2</sup>	2x29	2x22
35 mm <sup>2</sup>	1x22	1x17

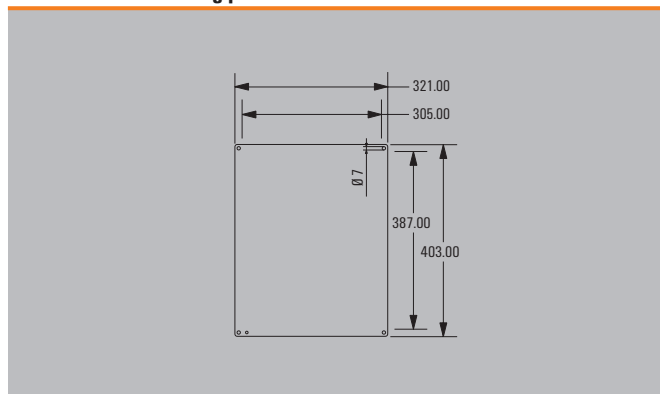
**Note** \*For the enclosure versions with no, one or two gland plates, the horizontal distance of the mounting feet is reduced by 30 mm. When mounting modular terminals please leave a distance of 10 mm to the ends of the DIN rail. Ordering recommendations: TS 35 Mounting rail with clamping yoke technology WDU, spring-cage terminal ZDU or PUSH IN technology AZC TS 32 Mounting rail with clamping yoke technology SAK TS 15 Mounting rail with clamping yoke technology AKZ Order information for terminal blocks, please refer to online catalogue

**Guide value for max. number of cable entries**

Cable entries	A / B	C / D
M12	50	55
M16	34	38
M20	23	24
M25	18	21
M32	10	11
M40	8	9
M50	4	4
M63	3	3
M75	2	3

**Note** Our IP 68 brass cable glands serve as a reference for these recommended values.

**Dimensions of mounting plate**



Klippon® TB MH 484815

Depth 150 mm



Height / Width / Depth 480 / 480 / 150 mm

**Ordering data**

Stainless steel 1.4404 316L, electropolished	Order No.
0 gland plates	1195100000
1 gland plate - positioned at the bottom (B)	1195110000
3 gland plates - positioned at bottom, left and right (B, C & D)	1195130000

**Note**

**Accessories**

Mounting plates and fastening screws	Order No.
Steel sheet, zinc plated	1194000000
With hole pattern, sheet steel, galvanised	2022610000
Stainless steel 1.4301 natural	1193870000
With hole pattern, natural stainless steel 1.4301	1257710000
Fastening screws for mounting plates	0642600000
Fastening screws for terminal rails*	1274150000

Mounting rails**, TS35x7.5	Order No.
Vertical	8000006714
Horizontally	8000006725

Stainless steel spacer M6 x 8, Set of 4	Order No.
10 mm length	0935110000
15 mm length	0935120000
20 mm length	0935130000
30 mm length	0935140000

Gland plates - 3 mm with M6 earth studs	Order No.
Top and bottom sides (A & B), electropolished stainless steel 1.4404	2023530000
Left and right sides (C & D), electropolished stainless steel 1.4404	2023540000

Gland plates and screws - 6 mm	Order No.
Top and bottom sides (A & B), electropolished stainless steel 1.4404	1256530000
Left and right sides (C & D), electropolished stainless steel 1.4404	1256540000
Mounting screw, stainless steel 1.4404	1253230000

Rain hoods	Order No.
Stainless steel 1.4301, mirror-polished	1281470000
Stainless steel 1.4404, electro-polished	1314220000

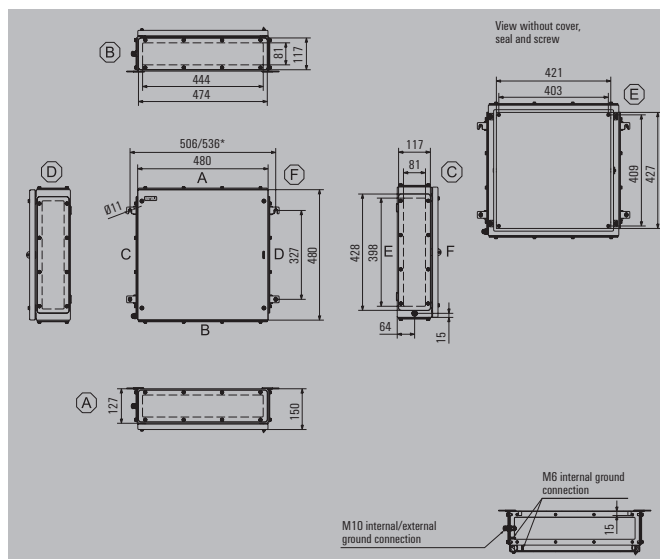
Label holder	Order No.
70 x 70 angled stainless steel 1.4301	1279320000
130x50 stainless steel 1.4301	1283450000
100x25 stainless steel 1.4301	1257640000

Document holders	Order No.
For DIN A6 size documents	1252780000
For DIN A5 size documents	1252750000
For DIN A4 size documents	1252730000

Set of fixings*	Order No.
For label holders, rain hoods and document holders (rivet)	1252190000
For plastic (Trafolyte), identification plate (screw)	1285200000

Earthing stud	Order No.
Stainless steel 1.4404, M10	1192690000

**Note** \*Packing unit (PU) = 20 pcs., sufficient for 10 fixtures  
\*\*Packing unit (PU) = 20 pcs., fixing screws 1274150000 available separately



**Guide value for max. number of terminals (industry)**

Assembly with terminal	vertical	horizontal
2.5 mm <sup>2</sup>	4x75	4x74
4 mm <sup>2</sup>	3x62	3x62
6 mm <sup>2</sup>	3x47	3x46
10 mm <sup>2</sup>	2x38	3x37
16 mm <sup>2</sup>	2x31	2x31
35 mm <sup>2</sup>	1x23	2x23

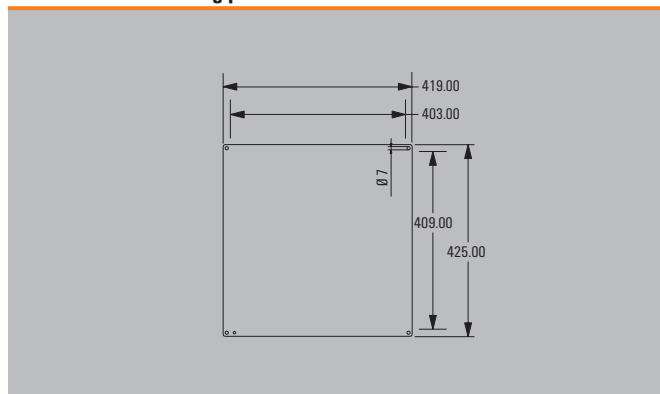
**Note** \*For the enclosure versions with no, one or two gland plates, the horizontal distance of the mounting feet is reduced by 30 mm. When mounting modular terminals please leave a distance of 10 mm to the ends of the DIN rail. Ordering recommendations: TS 35 Mounting rail with clamping yoke technology WDU, spring-cage terminal ZDU or PUSH IN technology AZC TS 32 Mounting rail with clamping yoke technology SAK TS 15 Mounting rail with clamping yoke technology AKZ Order information for terminal blocks, please refer to online catalogue

**Guide value for max. number of cable entries**

Cable entries	A / B	C / D
M12	39	36
M16	22	20
M20	19	17
M25	8	7
M32	7	6
M40	6	5
M50	5	4
M63	0	0
M75	0	0

**Note** Our IP 68 brass cable glands serve as a reference for these recommended values.

**Dimensions of mounting plate**





Height / Width / Depth 480 / 480 / 200 mm

Ordering data

Stainless steel 1.4404 316L, electropolished	Order No.
0 gland plates	1195150000
1 gland plate - positioned at the bottom (B)	1195160000
3 gland plates - positioned at bottom, left and right (B, C & D)	1195180000

**Note**

Accessories

Mounting plates and fastening screws	Order No.
Steel sheet, zinc plated	1194000000
With hole pattern, sheet steel, galvanised	2022610000
Stainless steel 1.4301 natural	1193870000
With hole pattern, natural stainless steel 1.4301	1257710000
Fastening screws for mounting plates	0642600000
Fastening screws for terminal rails*	1274150000

Mounting rails**, TS35x7.5	Order No.
Horizontally	8000006725
Vertical	8000006714

Stainless steel spacer M6 x 8, Set of 4	Order No.
10 mm length	0935110000
15 mm length	0935120000
20 mm length	0935130000
30 mm length	0935140000

Gland plates - 3 mm with M6 earth studs	Order No.
Top and bottom sides (A & B), electropolished stainless steel 1.4404	2023580000
Left and right sides (C & D), electropolished stainless steel 1.4404	2023620000

Gland plates and screws - 6 mm	Order No.
Top and bottom sides (A & B), electropolished stainless steel 1.4404	1256550000
Left and right sides (C & D), electropolished stainless steel 1.4404	1256560000
Mounting screw, stainless steel 1.4404	1253230000

Rain hoods	Order No.
Stainless steel 1.4301, mirror-polished	1281480000
Stainless steel 1.4404, electro-polished	1314230000

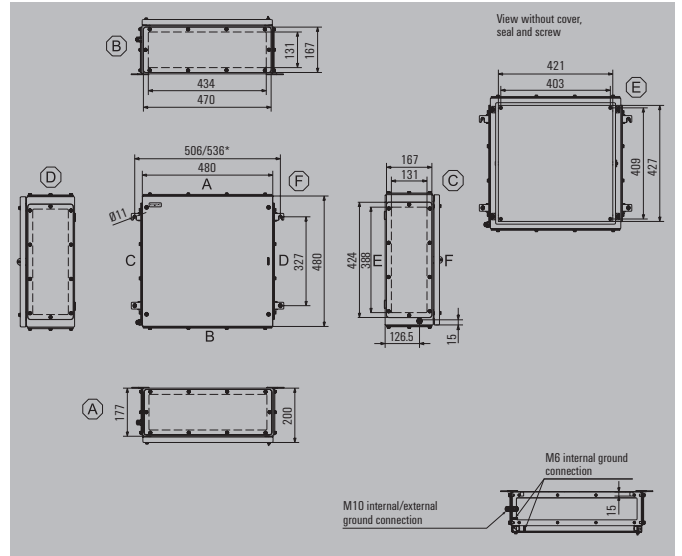
Label holder	Order No.
70 x 70 angled stainless steel 1.4301	1279320000
130x50 stainless steel 1.4301	1283450000
100x25 stainless steel 1.4301	1257640000

Document holders	Order No.
For DIN A6 size documents	1252780000
For DIN A5 size documents	1252750000
For DIN A4 size documents	1252730000

Set of fixings*	Order No.
For label holders, rain hoods and document holders (rivet)	1252190000
For plastic (Trafolyte), identification plate (screw)	1285200000

Earthing stud	Order No.
Stainless steel 1.4404, M10	1192690000

**Note** \*Packing unit (PU) = 20 pcs., sufficient for 10 fixtures  
\*\*Packing unit (PU) = 20 pcs., fixing screws 1274150000 available separately



Guide value for max. number of terminals (industry)

Assembly with terminal	vertical	horizontal
2.5 mm <sup>2</sup>	4x75	4x74
4 mm <sup>2</sup>	3x62	3x62
6 mm <sup>2</sup>	3x47	3x46
10 mm <sup>2</sup>	2x38	3x37
16 mm <sup>2</sup>	2x31	2x31
35 mm <sup>2</sup>	1x23	2x23

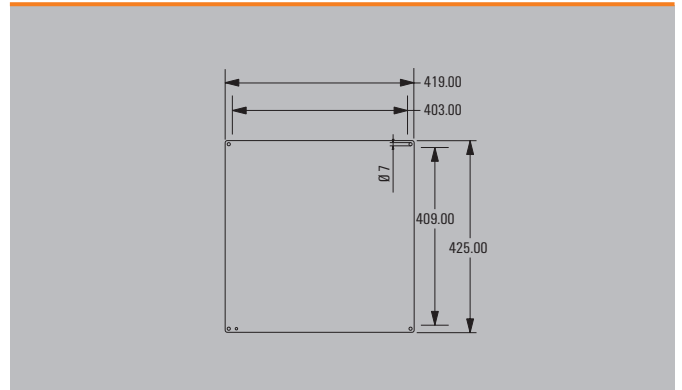
**Note** \*For the enclosure versions with no, one or two gland plates, the horizontal distance of the mounting feet is reduced by 30 mm.  
When mounting modular terminals please leave a distance of 10 mm to the ends of the DIN rail.  
Ordering recommendations:  
TS 35 Mounting rail with clamping yoke technology WDU, spring-cage terminal ZDU or PUSH IN technology AZC  
TS 32 Mounting rail with clamping yoke technology SAK  
TS 15 Mounting rail with clamping yoke technology AKZ  
Order information for terminal blocks, please refer to online catalogue

Guide value for max. number of cable entries

Cable entries	A / B	C / D
M12	65	60
M16	44	40
M20	29	26
M25	24	21
M32	13	12
M40	11	10
M50	5	4
M63	4	4
M75	3	3

**Note** Our IP 68 brass cable glands serve as a reference for these recommended values.

Dimensions of mounting plate





Height / Width / Depth 550 / 350 / 150 mm

**Ordering data**

Stainless steel 1.4404 316L, electropolished	Order No.
0 gland plates	1195200000
1 gland plate - positioned at the bottom (B)	1195210000
3 gland plates - positioned at bottom, left and right (B, C & D)	1195230000

**Note**

**Accessories**

Mounting plates and fastening screws	Order No.
Steel sheet, zinc plated	1194010000
With hole pattern, sheet steel, galvanised	2022650000
Stainless steel 1.4301 natural	1193880000
With hole pattern, natural stainless steel 1.4301	1257720000
Fastening screws for mounting plates	0642600000
Fastening screws for terminal rails*	1274150000

Mounting rails**, TS35x7.5	Order No.
Horizontally	8000006726
Vertical	8000006715

Stainless steel spacer M6 x 8, Set of 4	Order No.
10 mm length	0935110000
15 mm length	0935120000
20 mm length	0935130000
30 mm length	0935140000

Gland plates - 3 mm with M6 earth studs	Order No.
Top and bottom sides (A & B), electropolished stainless steel 1.4404	2023660000
Left and right sides (C & D), electropolished stainless steel 1.4404	2023670000

Gland plates and screws - 6 mm	Order No.
Top and bottom sides (A & B), electropolished stainless steel 1.4404	1256570000
Left and right sides (C & D), electropolished stainless steel 1.4404	1256580000
Mounting screw, stainless steel 1.4404	1253230000

Rain hoods	Order No.
Stainless steel 1.4301, mirror-polished	1281490000
Stainless steel 1.4404, electro-polished	1314240000

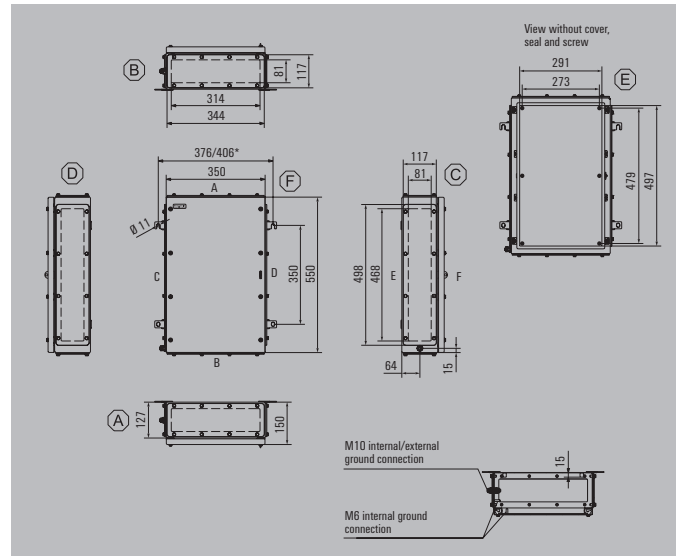
Label holder	Order No.
70 x 70 angled stainless steel 1.4301	1279320000
130x50 stainless steel 1.4301	1283450000
100x25 stainless steel 1.4301	1257640000

Document holders	Order No.
For DIN A6 size documents	1252780000
For DIN A5 size documents	1252750000
For DIN A4 size documents	1252730000

Set of fixings*	Order No.
For label holders, rain hoods and document holders (rivet)	1252190000
For plastic (Trafolyte), identification plate (screw)	1285200000

Earthing stud	Order No.
Stainless steel 1.4404, M10	1192690000

**Note** \*Packing unit (PU) = 20 pcs., sufficient for 10 fixtures  
\*\*Packing unit (PU) = 20 pcs., fixing screws 1274150000 available separately



**Guide value for max. number of terminals (industry)**

Assembly with terminal	vertical	horizontal
2.5 mm <sup>2</sup>	2x89	4x48
4 mm <sup>2</sup>	2x73	4x40
6 mm <sup>2</sup>	2x55	4x30
10 mm <sup>2</sup>	2x45	3x24
16 mm <sup>2</sup>	1x37	3x20
35 mm <sup>2</sup>	1x28	2x15

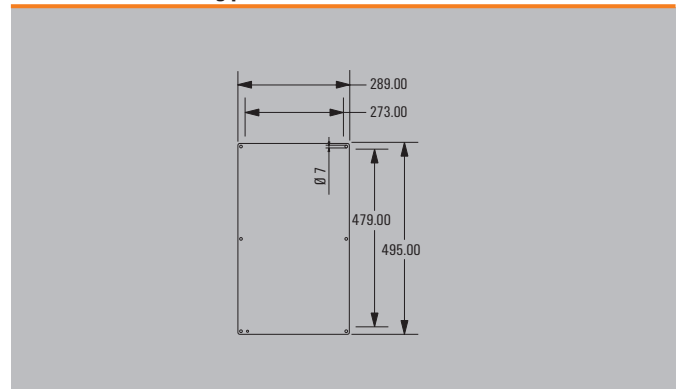
**Note** \*For the enclosure versions with no, one or two gland plates, the horizontal distance of the mounting feet is reduced by 30 mm. When mounting modular terminals please leave a distance of 10 mm to the ends of the DIN rail. Ordering recommendations: TS 35 Mounting rail with clamping yoke technology WDU, spring-cage terminal ZDU or PUSH IN technology AZC TS 32 Mounting rail with clamping yoke technology SAK TS 15 Mounting rail with clamping yoke technology AKZ Order information for terminal blocks, please refer to online catalogue

**Guide value for max. number of cable entries**

Cable entries	A / B	C / D
M12	27	42
M16	15	24
M20	13	20
M25	6	9
M32	5	7
M40	4	6
M50	3	5
M63	0	0
M75	0	0

**Note** Our IP 68 brass cable glands serve as a reference for these recommended values.

**Dimensions of mounting plate**





Height / Width / Depth 550 / 350 / 200 mm

**Ordering data**

Stainless steel 1.4404 316L, electropolished	Order No.
0 gland plates	1195250000
1 gland plate - positioned at the bottom (B)	1195260000
3 gland plates - positioned at bottom, left and right (B, C & D)	1195280000

**Note**

**Accessories**

Mounting plates and fastening screws	Order No.
Steel sheet, zinc plated	1194010000
With hole pattern, sheet steel, galvanised	2022650000
Stainless steel 1.4301 natural	1193880000
With hole pattern, natural stainless steel 1.4301	1257720000
Fastening screws for mounting plates	0642600000
Fastening screws for terminal rails*	1274150000

Mounting rails**, TS35x7.5	Order No.
Horizontally	8000006726
Vertical	8000006715

Stainless steel spacer M6 x 8, Set of 4	Order No.
10 mm length	0935110000
15 mm length	0935120000
20 mm length	0935130000
30 mm length	0935140000

Gland plates - 3 mm with M6 earth studs	Order No.
Top and bottom sides (A & B), electropolished stainless steel 1.4404	2023740000
Left and right sides (C & D), electropolished stainless steel 1.4404	2023790000

Gland plates and screws - 6 mm	Order No.
Top and bottom sides (A & B), electropolished stainless steel 1.4404	1256590000
Left and right sides (C & D), electropolished stainless steel 1.4404	1256610000
Mounting screw, stainless steel 1.4404	1253230000

Rain hoods	Order No.
Stainless steel 1.4301, mirror-polished	1281500000
Stainless steel 1.4404, electro-polished	1314250000

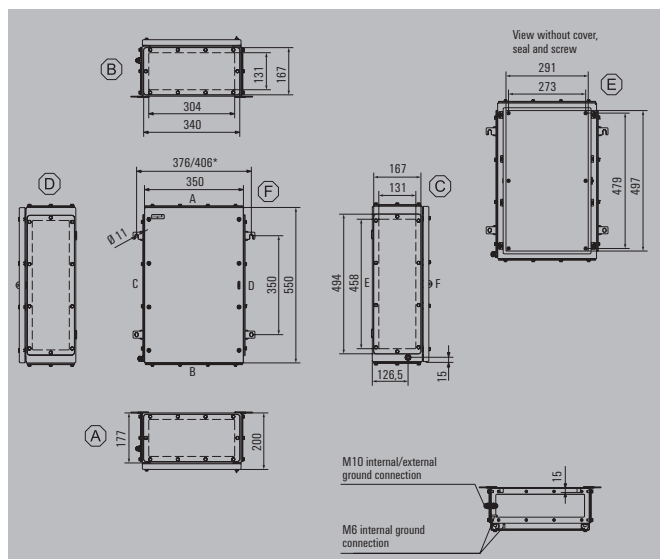
Label holder	Order No.
70 x 70 angled stainless steel 1.4301	1279320000
130x50 stainless steel 1.4301	1283450000
100x25 stainless steel 1.4301	1257640000

Document holders	Order No.
For DIN A6 size documents	1252780000
For DIN A5 size documents	1252750000
For DIN A4 size documents	1252730000

Set of fixings*	Order No.
For label holders, rain hoods and document holders (rivet)	1252190000
For plastic (Trafolyte), identification plate (screw)	1285200000

Earthing stud	Order No.
Stainless steel 1.4404, M10	1192690000

**Note** \*Packing unit (PU) = 20 pcs., sufficient for 10 fixtures  
\*\*Packing unit (PU) = 20 pcs., fixing screws 1274150000 available separately



**Guide value for max. number of terminals (industry)**

Assembly with terminal	vertical	horizontal
2.5 mm <sup>2</sup>	2x89	4x48
4 mm <sup>2</sup>	2x73	4x40
6 mm <sup>2</sup>	2x55	4x30
10 mm <sup>2</sup>	2x45	3x24
16 mm <sup>2</sup>	1x37	3x20
35 mm <sup>2</sup>	1x28	2x15

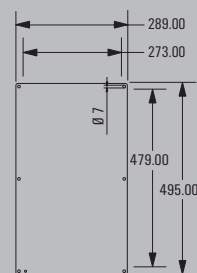
**Note** \*For the enclosure versions with no, one or two gland plates, the horizontal distance of the mounting feet is reduced by 30 mm. When mounting modular terminals please leave a distance of 10 mm to the ends of the DIN rail. Ordering recommendations: TS 35 Mounting rail with clamping yoke technology WDU, spring-cage terminal ZDU or PUSH IN technology AZC TS 32 Mounting rail with clamping yoke technology SAJ TS 15 Mounting rail with clamping yoke technology AKZ Order information for terminal blocks, please refer to online catalogue

**Guide value for max. number of cable entries**

Cable entries	A / B	C / D
M12	45	70
M16	30	48
M20	20	30
M25	17	26
M32	9	14
M40	7	12
M50	3	5
M63	3	4
M75	2	3

**Note** Our IP 68 brass cable glands serve as a reference for these recommended values.

**Dimensions of mounting plate**





Klippon® TB MH 355520

Depth 200 mm



Height / Width / Depth 350 / 550 / 200 mm

Ordering data

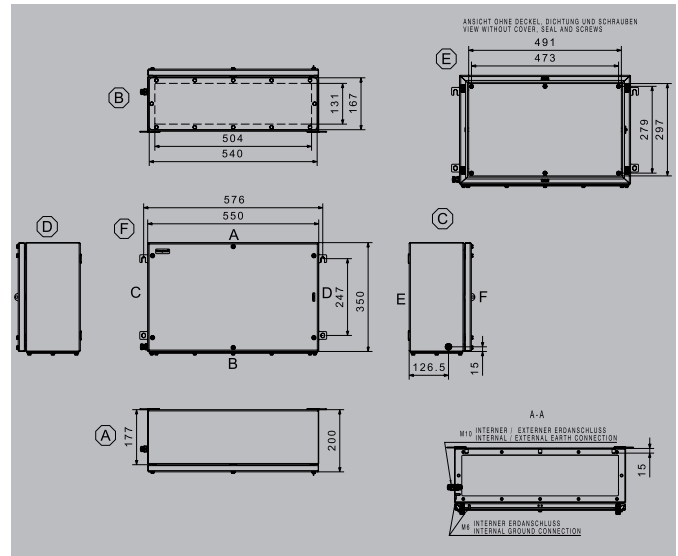
Stainless steel 1.4404 316L, electropolished	Order No.
0 gland plates	2698040000
1 gland plate - positioned at the bottom (B)	2698050000

Note

Accessories

Mounting plates and fastening screws	Order No.
With hole pattern, sheet steel, galvanised	2716090000
Steel sheet, zinc plated	2715560000
Fastening screws for terminal rails*	1274150000
Mounting rails**, TS35x7.5	Order No.
Horizontally	8000073447
Label holder	Order No.
100x25 stainless steel 1.4301	1257640000
130x50 stainless steel 1.4301	1283450000
70 x 70 angled stainless steel 1.4301	1279320000
Set of fixings*	Order No.
For label holders, rain hoods and document holders (rivet)	1252190000
Document holders	Order No.
For DIN A6 size documents	1252780000
For DIN A5 size documents	1252750000
For DIN A4 size documents	1252730000
Set of fixings*	Order No.
For plastic (Trafolyte), identification plate (screw)	1285200000
Earthing stud	Order No.
Stainless steel 1.4404, M10	1192690000

Note \*Packing unit (PU) = 20 pcs., sufficient for 10 fixtures  
\*\*Packing unit (PU) = 20 pcs., fixing screws 1274150000 available separately



Guide value for max. number of terminals (industry)

Assembly with terminal	vertical	horizontal
2.5 mm <sup>2</sup>	4x52	2x91
4 mm <sup>2</sup>	4x43	2x76
6 mm <sup>2</sup>	4x32	2x58
10 mm <sup>2</sup>	3x26	2x46
16 mm <sup>2</sup>	3x22	1x39
35 mm <sup>2</sup>	2x16	1x29

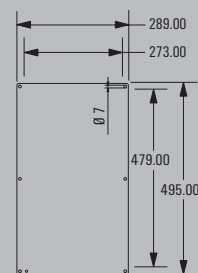
Note \*For the enclosure versions with no, one or two gland plates, the horizontal distance of the mounting feet is reduced by 30 mm.  
When mounting modular terminals please leave a distance of 10 mm to the ends of the DIN rail.  
Ordering recommendations:  
TS 35 Mounting rail with clamping yoke technology WDU, spring-cage terminal ZDU or PUSH IN technology AZC  
TS 32 Mounting rail with clamping yoke technology SAK  
TS 15 Mounting rail with clamping yoke technology AKZ  
Order information for terminal blocks, please refer to online catalogue

Guide value for max. number of cable entries

Cable entries	A / B	C / D
M12	70	45
M16	48	30
M20	30	20
M25	26	17
M32	14	9
M40	12	7
M50	5	3
M63	4	3
M75	3	2

Note

Dimensions of mounting plate





Height / Width / Depth 620 / 450 / 150 mm

**Ordering data**

Stainless steel 1.4404 316L, electropolished	Order No.
0 gland plates	1195300000
1 gland plate - positioned at the bottom (B)	1195310000
3 gland plates - positioned at bottom, left and right (B, C & D)	1195330000

**Note**

**Accessories**

Mounting plates and fastening screws	Order No.
Steel sheet, zinc plated	1194020000
With hole pattern, sheet steel, galvanised	2022670000
Stainless steel 1.4301 natural	1193890000
With hole pattern, natural stainless steel 1.4301	1257740000
Fastening screws for mounting plates	0642600000
Fastening screws for terminal rails*	1274150000

Mounting rails**, TS35x7.5	Order No.
Horizontally	8000006727
Vertical	8000006716

Stainless steel spacer M6 x 8, Set of 4	Order No.
10 mm length	0935110000
15 mm length	0935120000
20 mm length	0935130000
30 mm length	0935140000

Gland plates - 3 mm with M6 earth studs	Order No.
Top and bottom sides (A & B), electropolished stainless steel 1.4404	2023820000
Left and right sides (C & D), electropolished stainless steel 1.4404	2023870000

Gland plates and screws - 6 mm	Order No.
Top and bottom sides (A & B), electropolished stainless steel 1.4404	1256620000
Left and right sides (C & D), electropolished stainless steel 1.4404	1256630000
Mounting screw, stainless steel 1.4404	1253230000

Rain hoods	Order No.
Stainless steel 1.4301, mirror-polished	1281510000
Stainless steel 1.4404, electro-polished	1314270000

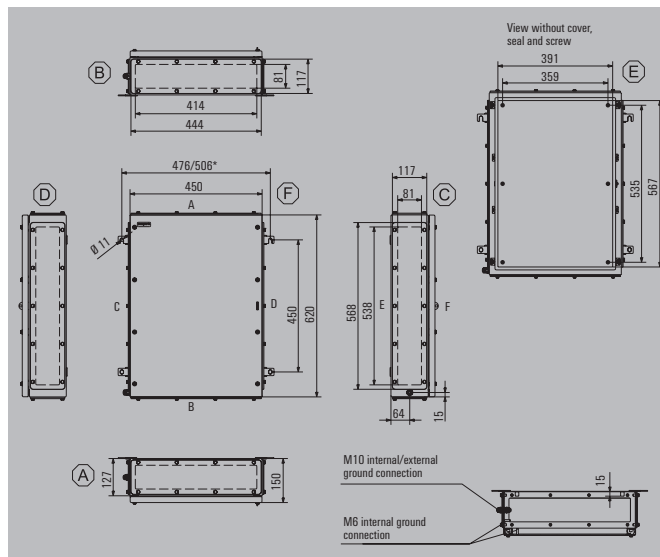
Label holder	Order No.
70 x 70 angled stainless steel 1.4301	1279320000
130x50 stainless steel 1.4301	1283450000
100x25 stainless steel 1.4301	1257640000

Document holders	Order No.
For DIN A6 size documents	1252780000
For DIN A5 size documents	1252750000
For DIN A4 size documents	1252730000

Set of fixings*	Order No.
For label holders, rain hoods and document holders (rivet)	1252190000
For plastic (Trafolyte), identification plate (screw)	1285200000

Earthing stud	Order No.
Stainless steel 1.4404, M10	1192690000

**Note** \*Packing unit (PU) = 20 pcs., sufficient for 10 fixtures  
 \*\*Packing unit (PU) = 20 pcs., fixing screws 1274150000 available separately



**Guide value for max. number of terminals (industry)**

Assembly with terminal	vertical	horizontal
2.5 mm <sup>2</sup>	3x101	5x65
4 mm <sup>2</sup>	3x83	5x54
6 mm <sup>2</sup>	3x62	4x41
10 mm <sup>2</sup>	2x49	4x33
16 mm <sup>2</sup>	2x42	3x26
35 mm <sup>2</sup>	1x31	2x20

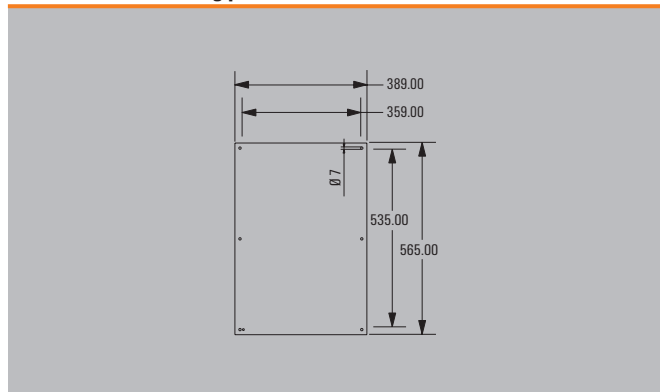
**Note** \*For the enclosure versions with no, one or two gland plates, the horizontal distance of the mounting feet is reduced by 30 mm.  
 When mounting modular terminals please leave a distance of 10 mm to the ends of the DIN rail.  
 Ordering recommendations:  
 TS 35 Mounting rail with clamping yoke technology WDU, spring-cage terminal ZDU or PUSH IN technology AZC  
 TS 32 Mounting rail with clamping yoke technology SAK  
 TS 15 Mounting rail with clamping yoke technology AKZ  
 Order information for terminal blocks, please refer to online catalogue

**Guide value for max. number of cable entries**

Cable entries	A / B	C / D
M12	38	48
M16	21	27
M20	18	24
M25	8	10
M32	6	9
M40	5	7
M50	4	6
M63	0	0
M75	0	0

**Note** Our IP 68 brass cable glands serve as a reference for these recommended values.

**Dimensions of mounting plate**





Height / Width / Depth 620 / 450 / 200 mm

**Ordering data**

Stainless steel 1.4404 316L, electropolished	Order No.
0 gland plates	1195350000
1 gland plate - positioned at the bottom (B)	1195360000
3 gland plates - positioned at bottom, left and right (B, C & D)	1195380000

**Note**

**Accessories**

Mounting plates and fastening screws	Order No.
Steel sheet, zinc plated	1194020000
With hole pattern, sheet steel, galvanised	2022670000
Stainless steel 1.4301 natural	1193890000
With hole pattern, natural stainless steel 1.4301	1257740000
Fastening screws for mounting plates	0642600000
Fastening screws for terminal rails*	1274150000

Mounting rails**, TS35x7.5	Order No.
Horizontally	8000006727
Vertical	8000006716

Stainless steel spacer M6 x 8, Set of 4	Order No.
10 mm length	0935110000
15 mm length	0935120000
20 mm length	0935130000
30 mm length	0935140000

Gland plates - 3 mm with M6 earth studs	Order No.
Top and bottom sides (A & B), electropolished stainless steel 1.4404	2023880000
Left and right sides (C & D), electropolished stainless steel 1.4404	2023930000

Gland plates and screws - 6 mm	Order No.
Top and bottom sides (A & B), electropolished stainless steel 1.4404	1256640000
Left and right sides (C & D), electropolished stainless steel 1.4404	1256650000
Mounting screw, stainless steel 1.4404	1253230000

Rain hoods	Order No.
Stainless steel 1.4301, mirror-polished	1281520000
Stainless steel 1.4404, electro-polished	1314280000

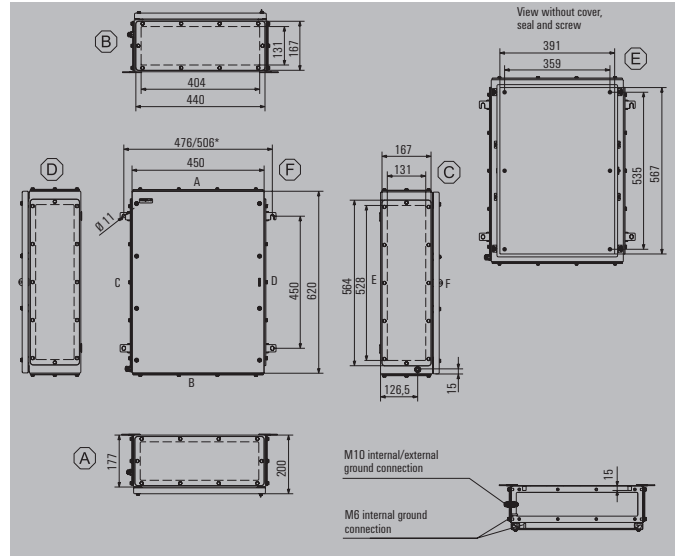
Label holder	Order No.
70 x 70 angled stainless steel 1.4301	1279320000
130x50 stainless steel 1.4301	1283450000
100x25 stainless steel 1.4301	1257640000

Document holders	Order No.
For DIN A6 size documents	1252780000
For DIN A5 size documents	1252750000
For DIN A4 size documents	1252730000

Set of fixings*	Order No.
For label holders, rain hoods and document holders (rivet)	1252190000
For plastic (Trafolyte), identification plate (screw)	1285200000

Earthing stud	Order No.
Stainless steel 1.4404, M10	1192690000

**Note** \*Packing unit (PU) = 20 pcs., sufficient for 10 fixtures  
\*\*Packing unit (PU) = 20 pcs., fixing screws 1274150000 available separately



**Guide value for max. number of terminals (industry)**

Assembly with terminal	vertical	horizontal
2.5 mm <sup>2</sup>	3x101	5x65
4 mm <sup>2</sup>	3x83	5x54
6 mm <sup>2</sup>	3x62	4x41
10 mm <sup>2</sup>	2x49	4x33
16 mm <sup>2</sup>	2x42	3x26
35 mm <sup>2</sup>	1x31	2x20

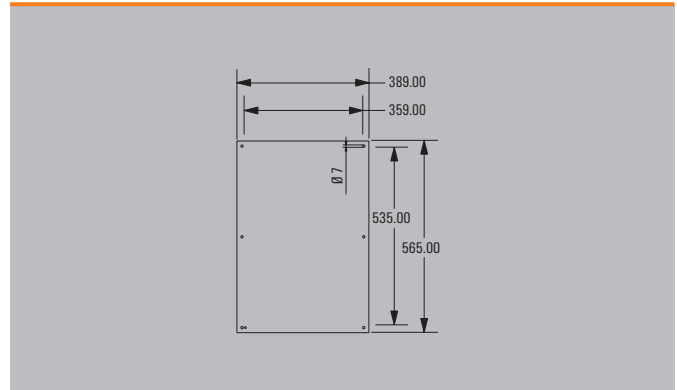
**Note** \*For the enclosure versions with no, one or two gland plates, the horizontal distance of the mounting feet is reduced by 30 mm. When mounting modular terminals please leave a distance of 10 mm to the ends of the DIN rail. Ordering recommendations: TS 35 Mounting rail with clamping yoke technology WDU, spring-cage terminal ZDU or PUSH IN technology AZC TS 32 Mounting rail with clamping yoke technology SAK TS 15 Mounting rail with clamping yoke technology AKZ Order information for terminal blocks, please refer to online catalogue

**Guide value for max. number of cable entries**

Cable entries	A / B	C / D
M12	63	80
M16	42	54
M20	27	36
M25	23	30
M32	12	17
M40	10	14
M50	4	6
M63	4	5
M75	3	4

**Note** Our IP 68 brass cable glands serve as a reference for these recommended values.

**Dimensions of mounting plate**





Height / Width / Depth 450 / 620 / 200 mm

**Ordering data**

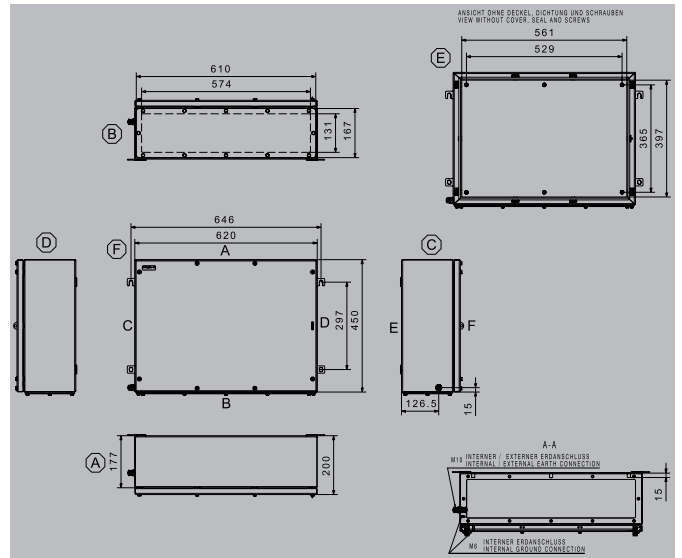
Stainless steel 1.4404 316L, electropolished	Order No.
0 gland plates	2698060000
1 gland plate - positioned at the bottom (B)	2698070000

**Note**

**Accessories**

<b>Mounting plates and fastening screws</b>	Order No.
Steel sheet, zinc plated	2716100000
With hole pattern, sheet steel, galvanised	2716110000
Fastening screws for terminal rails*	1274150000
<b>Label holder</b>	
100x25 stainless steel 1.4301	1257640000
130x50 stainless steel 1.4301	1283450000
70 x 70 angled stainless steel 1.4301	1279320000
<b>Set of fixings*</b>	
For label holders, rain hoods and document holders (rivet)	1252190000
<b>Document holders</b>	
For DIN A6 size documents	1252780000
For DIN A5 size documents	1252750000
For DIN A4 size documents	1252730000
<b>Set of fixings*</b>	
For plastic (Trafolyte), identification plate (screw)	1285200000
<b>Earthing stud</b>	
Stainless steel 1.4404, M10	1192690000

**Note** \*Packing unit (PU) = 20 pcs., sufficient for 10 fixtures  
 \*\*Packing unit (PU) = 20 pcs., fixing screws 1274150000 available separately



**Guide value for max. number of terminals (industry)**

Assembly with terminal	vertical	horizontal
2.5 mm <sup>2</sup>	5x71	3x105
4 mm <sup>2</sup>	5x59	3x88
6 mm <sup>2</sup>	4x45	3x66
10 mm <sup>2</sup>	4x36	2x53
16 mm <sup>2</sup>	3x30	2x44
35 mm <sup>2</sup>	2x22	1x33

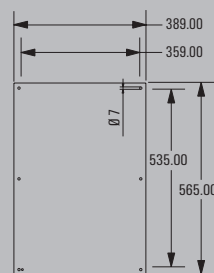
**Note** \*For the enclosure versions with no, one or two gland plates, the horizontal distance of the mounting feet is reduced by 30 mm.  
 When mounting modular terminals please leave a distance of 10 mm to the ends of the DIN rail.  
 Ordering recommendations:  
 TS 35 Mounting rail with clamping yoke technology WDU, spring-cage terminal ZDU or PUSH IN technology AZC  
 TS 32 Mounting rail with clamping yoke technology SAK  
 TS 15 Mounting rail with clamping yoke technology AKZ  
 Order information for terminal blocks, please refer to online catalogue

**Guide value for max. number of cable entries**

Cable entries	A / B	C / D
M12	80	63
M16	54	42
M20	36	27
M25	30	23
M32	17	12
M40	14	10
M50	6	4
M63	5	4
M75	4	3

**Note**

**Dimensions of mounting plate**



Klippon® TB MH 765015

Depth 150 mm



Height / Width / Depth 762 / 508 / 150 mm

Ordering data

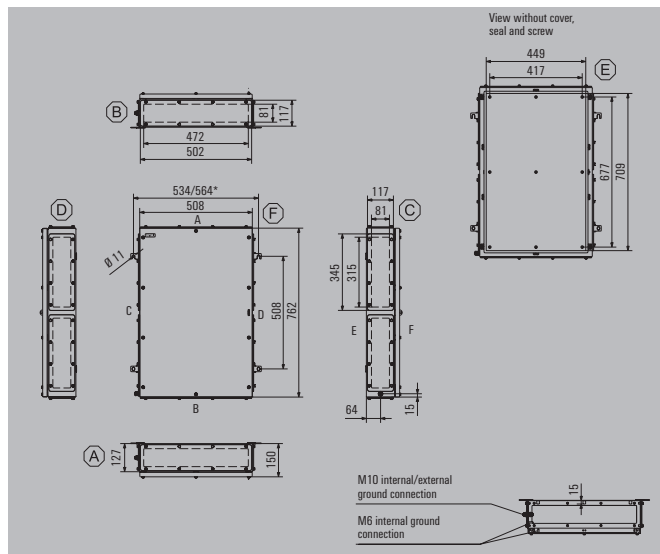
Stainless steel 1.4404 316L, electropolished	Order No.
0 gland plates	1195400000
1 gland plate - positioned at the bottom (B)	1195410000
3 gland plates - positioned at bottom, left and right (B, C & D)	1195430000

Note

Accessories

<b>Mounting plates and fastening screws</b>		<b>Order No.</b>
Steel sheet, zinc plated		1194030000
With hole pattern, sheet steel, galvanised		2022680000
Stainless steel 1.4301 natural		1193900000
With hole pattern, natural stainless steel 1.4301		1257750000
Fastening screws for mounting plates		0642600000
Fastening screws for terminal rails*		1274150000
<b>Mounting rails**, TS35x7.5</b>		
Horizontally		8000006728
Vertical		8000006717
<b>Stainless steel spacer M6 x 8, Set of 4</b>		
10 mm length		0935110000
15 mm length		0935120000
20 mm length		0935130000
30 mm length		0935140000
<b>Gland plates - 3 mm with M6 earth studs</b>		
Top and bottom sides (A & B), electropolished stainless steel 1.4404		2024040000
Left and right sides (C & D), electropolished stainless steel 1.4404		2024090000
<b>Gland plates and screws - 6 mm</b>		
Top and bottom sides (A & B), electropolished stainless steel 1.4404		1256660000
Left and right sides (C & D), electropolished stainless steel 1.4404		1256670000
Mounting screw, stainless steel 1.4404		1253230000
<b>Rain hoods</b>		
Stainless steel 1.4301, mirror-polished		1281530000
Stainless steel 1.4404, electro-polished		1314290000
<b>Label holder</b>		
70 x 70 angled stainless steel 1.4301		1279320000
130x50 stainless steel 1.4301		1283450000
100x25 stainless steel 1.4301		1257640000
<b>Document holders</b>		
For DIN A6 size documents		1252780000
For DIN A5 size documents		1252750000
For DIN A4 size documents		1252730000
<b>Set of fixings*</b>		
For label holders, rain hoods and document holders (rivet)		1252190000
For plastic (Trafolyte), identification plate (screw)		1285200000
<b>Earthing stud</b>		
Stainless steel 1.4404, M10		1192690000

Note \*Packing unit (PU) = 20 pcs., sufficient for 10 fixtures  
 \*\*Packing unit (PU) = 20 pcs., fixing screws 1274150000 available separately



Guide value for max. number of terminals (industry)

Assembly with terminal	vertical	horizontal
2.5 mm <sup>2</sup>	4x128	7x78
4 mm <sup>2</sup>	4x107	6x64
6 mm <sup>2</sup>	3x80	5x48
10 mm <sup>2</sup>	3x65	5x39
16 mm <sup>2</sup>	2x53	4x32
35 mm <sup>2</sup>	2x40	3x24

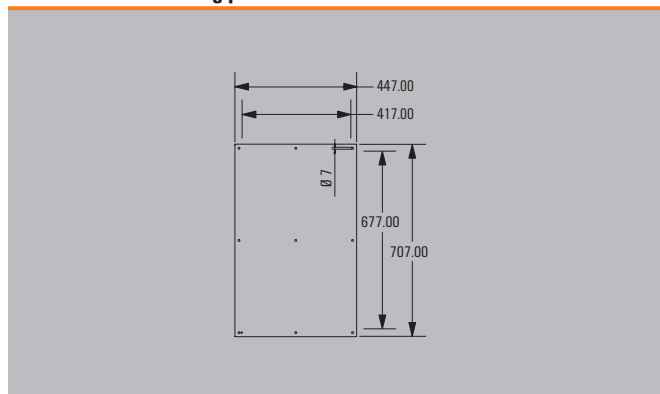
Note \*For the enclosure versions with no, one or two gland plates, the horizontal distance of the mounting feet is reduced by 30 mm. When mounting modular terminals please leave a distance of 10 mm to the ends of the DIN rail. Ordering recommendations: TS 35 Mounting rail with clamping yoke technology WDU, spring-cage terminal ZDU or PUSH IN technology AZC TS 32 Mounting rail with clamping yoke technology SAK TS 15 Mounting rail with clamping yoke technology AKZ Order information for terminal blocks, please refer to online catalogue

Guide value for max. number of cable entries

Cable entries	A / B	C / D
M12	42	58
M16	24	32
M20	21	26
M25	9	12
M32	7	10
M40	6	8
M50	5	6
M63	0	0
M75	0	0

Note Our IP 68 brass cable glands serve as a reference for these recommended values.

Dimensions of mounting plate





Height / Width / Depth 762 / 508 / 200 mm

**Ordering data**

Stainless steel 1.4404 316L, electropolished	Order No.
0 gland plates	1195450000
1 gland plate - positioned at the bottom (B)	1195460000
3 gland plates - positioned at bottom, left and right (B, C & D)	1195480000

**Note**

**Accessories**

Mounting plates and fastening screws	Order No.
Steel sheet, zinc plated	1194030000
With hole pattern, sheet steel, galvanised	2022680000
Stainless steel 1.4301 natural	1193900000
With hole pattern, natural stainless steel 1.4301	1257750000
Fastening screws for mounting plates	0642600000
Fastening screws for terminal rails*	1274150000

Mounting rails**, TS35x7.5	Order No.
Horizontally	8000006728
Vertical	8000006717

Stainless steel spacer M6 x 8, Set of 4	Order No.
10 mm length	0935110000
15 mm length	0935120000
20 mm length	0935130000
30 mm length	0935140000

Gland plates - 3 mm with M6 earth studs	Order No.
Top and bottom sides (A & B), electropolished stainless steel 1.4404	2024100000
Left and right sides (C & D), electropolished stainless steel 1.4404	2024140000

Gland plates and screws - 6 mm	Order No.
Top and bottom sides (A & B), electropolished stainless steel 1.4404	1256680000
Left and right sides (C & D), electropolished stainless steel 1.4404	1256690000
Mounting screw, stainless steel 1.4404	1253230000

Rain hoods	Order No.
Stainless steel 1.4301, mirror-polished	1281540000
Stainless steel 1.4404, electro-polished	1314300000

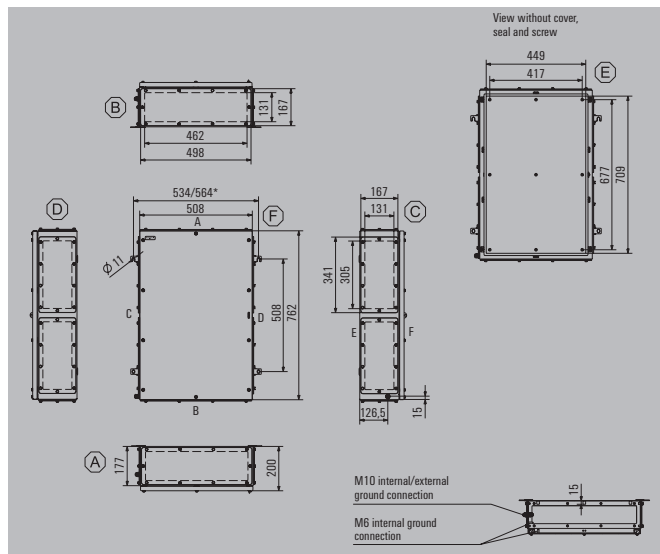
Label holder	Order No.
70 x 70 angled stainless steel 1.4301	1279320000
130x50 stainless steel 1.4301	1283450000
100x25 stainless steel 1.4301	1257640000

Document holders	Order No.
For DIN A6 size documents	1252780000
For DIN A5 size documents	1252750000
For DIN A4 size documents	1252730000

Set of fixings*	Order No.
For label holders, rain hoods and document holders (rivet)	1252190000
For plastic (Trafolyte), identification plate (screw)	1285200000

Earthing stud	Order No.
Stainless steel 1.4404, M10	1192690000

**Note** \*Packing unit (PU) = 20 pcs., sufficient for 10 fixtures  
 \*\*Packing unit (PU) = 20 pcs., fixing screws 1274150000 available separately



**Guide value for max. number of terminals (industry)**

Assembly with terminal	vertical	horizontal
2.5 mm <sup>2</sup>	4x128	7x78
4 mm <sup>2</sup>	4x107	6x64
6 mm <sup>2</sup>	3x80	5x48
10 mm <sup>2</sup>	3x65	5x39
16 mm <sup>2</sup>	2x53	4x32
35 mm <sup>2</sup>	2x40	3x24

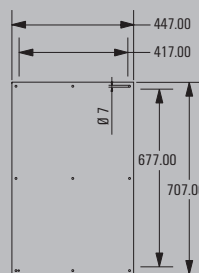
**Note** \*For the enclosure versions with no, one or two gland plates, the horizontal distance of the mounting feet is reduced by 30 mm.  
 When mounting modular terminals please leave a distance of 10 mm to the ends of the DIN rail.  
 Ordering recommendations:  
 TS 35 Mounting rail with clamping yoke technology WDU, spring-cage terminal ZDU or PUSH IN technology AZC  
 TS 32 Mounting rail with clamping yoke technology SAK  
 TS 15 Mounting rail with clamping yoke technology AKZ  
 Order information for terminal blocks, please refer to online catalogue

**Guide value for max. number of cable entries**

Cable entries	A / B	C / D
M12	70	96
M16	48	64
M20	32	40
M25	26	34
M32	14	18
M40	12	14
M50	5	6
M63	4	6
M75	3	4

**Note** Our IP 68 brass cable glands serve as a reference for these recommended values.

**Dimensions of mounting plate**



Klippon® TB MH 507620

Depth 200 mm



Height / Width / Depth 500 / 760 / 200 mm

Ordering data

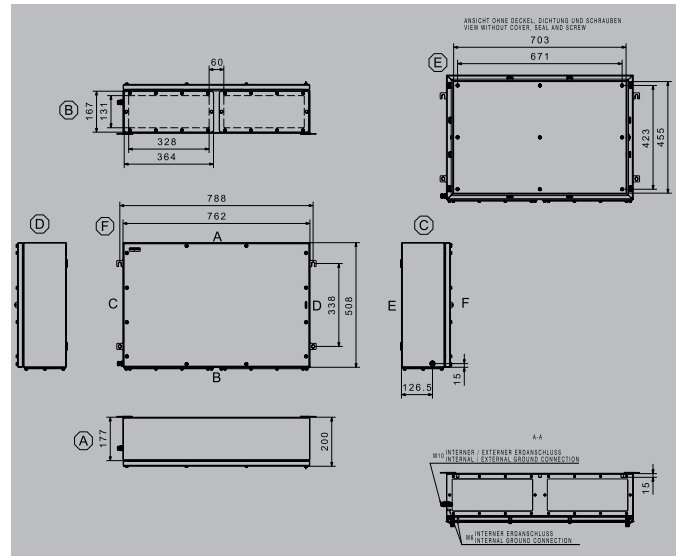
Stainless steel 1.4404 316L, electropolished	Order No.
0 gland plates	2698080000
1 gland plate - positioned at the bottom (B)	2698090000

Note

Accessories

Mounting plates and fastening screws	Order No.
Steel sheet, zinc plated	2716120000
With hole pattern, sheet steel, galvanised	2716130000
Fastening screws for terminal rails*	1274150000
Mounting rails**, TS35x7.5	Order No.
Vertical	8000073449
Label holder	Order No.
100x25 stainless steel 1.4301	1257640000
130x50 stainless steel 1.4301	1283450000
70 x 70 angled stainless steel 1.4301	1279320000
Set of fixings*	Order No.
For label holders, rain hoods and document holders (rivet)	1252190000
Document holders	Order No.
For DIN A6 size documents	1252780000
For DIN A5 size documents	1252750000
For DIN A4 size documents	1252730000
Set of fixings*	Order No.
For plastic (Trafolyte), identification plate (screw)	1285200000
Earthing stud	Order No.
Stainless steel 1.4404, M10	1192690000

Note \*Packing unit (PU) = 20 pcs., sufficient for 10 fixtures  
\*\*Packing unit (PU) = 20 pcs., fixing screws 1274150000 available separately



Guide value for max. number of terminals (industry)

Assembly with terminal	vertical	horizontal
2.5 mm <sup>2</sup>	7x82	4x132
4 mm <sup>2</sup>	6x69	4x111
6 mm <sup>2</sup>	5x52	3x83
10 mm <sup>2</sup>	5x42	3x67
16 mm <sup>2</sup>	4x35	2x56
35 mm <sup>2</sup>	3x26	2x42

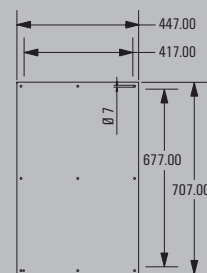
Note \*For the enclosure versions with no, one or two gland plates, the horizontal distance of the mounting feet is reduced by 30 mm. When mounting modular terminals please leave a distance of 10 mm to the ends of the DIN rail. Ordering recommendations: TS 35 Mounting rail with clamping yoke technology WDU, spring-cage terminal ZDU or PUSH IN technology AZC TS 32 Mounting rail with clamping yoke technology SAK TS 15 Mounting rail with clamping yoke technology AKZ Order information for terminal blocks, please refer to online catalogue

Guide value for max. number of cable entries

Cable entries	A / B	C / D
M12	96	70
M16	64	48
M20	40	32
M25	34	26
M32	18	14
M40	14	12
M50	6	5
M63	6	4
M75	4	3

Note

Dimensions of mounting plate





Height / Width / Depth 914 / 610 / 150 mm

**Ordering data**

Stainless steel 1.4404 316L, electropolished	Order No.
0 gland plates	1195500000
1 gland plate - positioned at the bottom (B)	1195510000
3 gland plates - positioned at bottom, left and right (B, C & D)	1195530000

**Note**

**Accessories**

Mounting plates and fastening screws	Order No.
Steel sheet, zinc plated	1194040000
With hole pattern, sheet steel, galvanised	2022740000
Stainless steel 1.4301 natural	1193910000
With hole pattern, natural stainless steel 1.4301	1257760000
Fastening screws for mounting plates	0642600000
Fastening screws for terminal rails*	1274150000

Mounting rails**, TS35x7.5	Order No.
Horizontally	8000006729
Vertical	8000006718

Stainless steel spacer M6 x 8, Set of 4	Order No.
10 mm length	0935110000
15 mm length	0935120000
20 mm length	0935130000
30 mm length	0935140000

Gland plates - 3 mm with M6 earth studs	Order No.
Top and bottom sides (A & B), electropolished stainless steel 1.4404	2024150000
Left and right sides (C & D), electropolished stainless steel 1.4404	2024300000

Gland plates and screws - 6 mm	Order No.
Top and bottom sides (A & B), electropolished stainless steel 1.4404	1256710000
Left and right sides (C & D), electropolished stainless steel 1.4404	1256720000
Mounting screw, stainless steel 1.4404	1253230000

Rain hoods	Order No.
Stainless steel 1.4301, mirror-polished	1281550000
Stainless steel 1.4404, electro-polished	1314320000

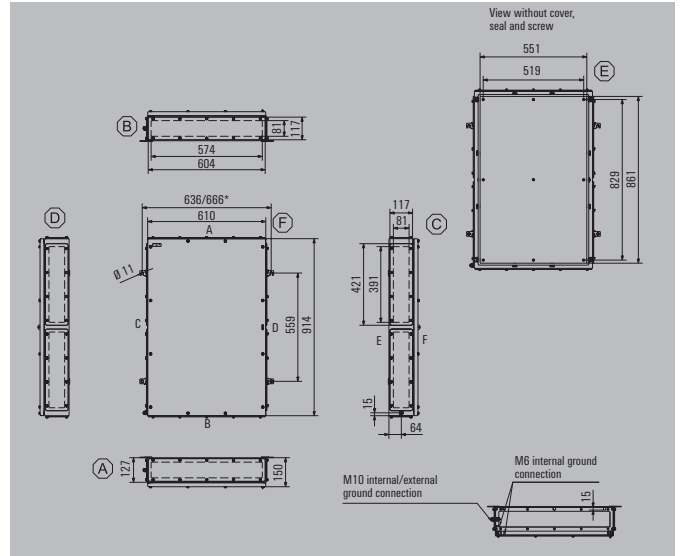
Label holder	Order No.
70 x 70 angled stainless steel 1.4301	1279320000
130x50 stainless steel 1.4301	1283450000
100x25 stainless steel 1.4301	1257640000

Document holders	Order No.
For DIN A6 size documents	1252780000
For DIN A5 size documents	1252750000
For DIN A4 size documents	1252730000

Set of fixings*	Order No.
For label holders, rain hoods and document holders (rivet)	1252190000
For plastic (Trafolyte), identification plate (screw)	1285200000

Earthing stud	Order No.
Stainless steel 1.4404, M10	1192690000

**Note** \*Packing unit (PU) = 20 pcs., sufficient for 10 fixtures  
\*\*Packing unit (PU) = 20 pcs., fixing screws 1274150000 available separately



**Guide value for max. number of terminals (industry)**

Assembly with terminal	vertical	horizontal
2.5 mm <sup>2</sup>	5x157	8x99
4 mm <sup>2</sup>	4x132	7x80
6 mm <sup>2</sup>	4x100	7x62
10 mm <sup>2</sup>	3x85	6x50
16 mm <sup>2</sup>	3x66	5x40
35 mm <sup>2</sup>	2x49	4x30

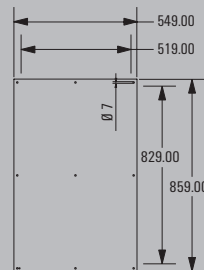
**Note** \*For the enclosure versions with no, one or two gland plates, the horizontal distance of the mounting feet is reduced by 30 mm. When mounting modular terminals please leave a distance of 10 mm to the ends of the DIN rail. Ordering recommendations: TS 35 Mounting rail with clamping yoke technology WDU, spring-cage terminal ZDU or PUSH IN technology AZC TS 32 Mounting rail with clamping yoke technology SAK TS 15 Mounting rail with clamping yoke technology AKZ Order information for terminal blocks, please refer to online catalogue

**Guide value for max. number of cable entries**

Cable entries	A / B	C / D
M12	53	70
M16	29	40
M20	25	34
M25	11	14
M32	9	12
M40	8	10
M50	6	8
M63	0	0
M75	0	0

**Note** Our IP 68 brass cable glands serve as a reference for these recommended values.

**Dimensions of mounting plate**







Height / Width / Depth 914 / 610 / 200 mm

**Ordering data**

Stainless steel 1.4404 316L, electropolished	Order No.
0 gland plates	119550000
1 gland plate - positioned at the bottom (B)	1195560000
3 gland plates - positioned at bottom, left and right (B, C & D)	1195580000

**Note**

**Accessories**

Mounting plates and fastening screws	Order No.
Steel sheet, zinc plated	119404000
With hole pattern, sheet steel, galvanised	2022740000
Stainless steel 1.4301 natural	1193910000
With hole pattern, natural stainless steel 1.4301	1257760000
Fastening screws for mounting plates	0642600000
Fastening screws for terminal rails*	1274150000

Mounting rails**, TS35x7.5	Order No.
Horizontally	8000006729
Vertical	8000006718

Stainless steel spacer M6 x 8, Set of 4	Order No.
10 mm length	0935110000
15 mm length	0935120000
20 mm length	0935130000
30 mm length	0935140000

Gland plates - 3 mm with M6 earth studs	Order No.
Top and bottom sides (A & B), electropolished stainless steel 1.4404	2024470000
Left and right sides (C & D), electropolished stainless steel 1.4404	2024490000

Gland plates and screws - 6 mm	Order No.
Top and bottom sides (A & B), electropolished stainless steel 1.4404	1256730000
Left and right sides (C & D), electropolished stainless steel 1.4404	1256740000
Mounting screw, stainless steel 1.4404	1253230000

Rain hoods	Order No.
Stainless steel 1.4301, mirror-polished	1281570000
Stainless steel 1.4404, electro-polished	1314330000

Label holder	Order No.
70 x 70 angled stainless steel 1.4301	1279320000
130x50 stainless steel 1.4301	1283450000
100x25 stainless steel 1.4301	1257640000

Document holders	Order No.
For DIN A6 size documents	1252780000
For DIN A5 size documents	1252750000
For DIN A4 size documents	1252730000

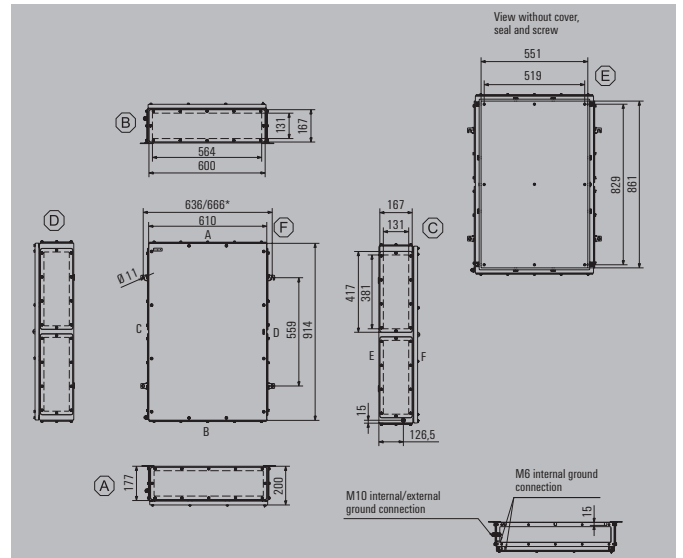
  

Set of fixings*	Order No.
For label holders, rain hoods and document holders (rivet)	1252190000
For plastic (Trafolyte), identification plate (screw)	1285200000

Earthing stud	Order No.
Stainless steel 1.4404, M10	1192690000

**Note**  
 \*Packing unit (PU) = 20 pcs., sufficient for 10 fixtures  
 \*\*Packing unit (PU) = 20 pcs., fixing screws 1274150000 available separately



**Guide value for max. number of terminals (industry)**

Assembly with terminal	vertical	horizontal
2.5 mm <sup>2</sup>	5x157	8x99
4 mm <sup>2</sup>	4x132	7x80
6 mm <sup>2</sup>	4x100	7x62
10 mm <sup>2</sup>	3x85	6x50
16 mm <sup>2</sup>	3x66	5x40
35 mm <sup>2</sup>	2x49	4x30

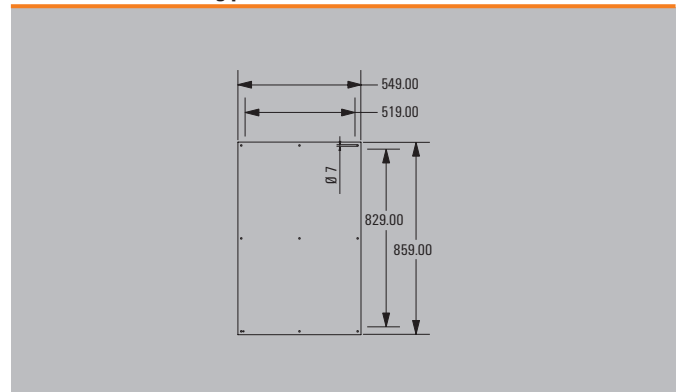
**Note**  
 \*For the enclosure versions with no, one or two gland plates, the horizontal distance of the mounting feet is reduced by 30 mm.  
 When mounting modular terminals please leave a distance of 10 mm to the ends of the DIN rail.  
 Ordering recommendations:  
 TS 35 Mounting rail with clamping yoke technology WDU, spring-cage terminal ZDU or PUSH IN technology AZC  
 TS 32 Mounting rail with clamping yoke technology SAK  
 TS 15 Mounting rail with clamping yoke technology AKZ  
 Order information for terminal blocks, please refer to online catalogue

**Guide value for max. number of cable entries**

Cable entries	A / B	C / D
M12	88	116
M16	58	80
M20	38	52
M25	33	42
M32	18	24
M40	15	20
M50	6	8
M63	5	6
M75	4	6

**Note**  
 Our IP 68 brass cable glands serve as a reference for these recommended values.

**Dimensions of mounting plate**





980 / 740 / 200 mm

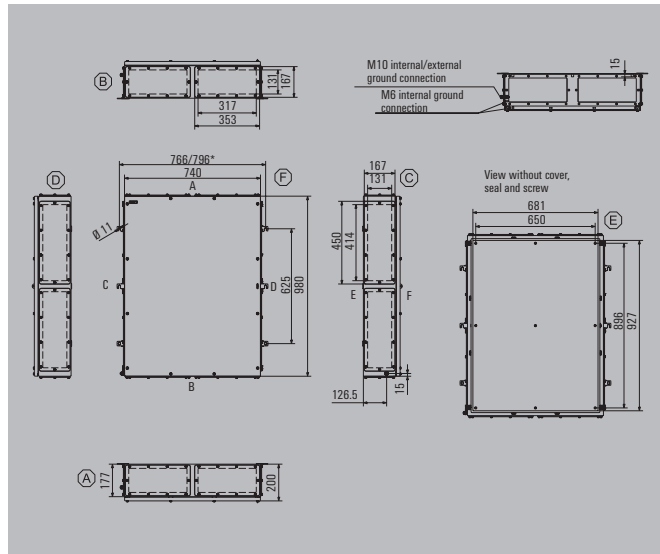
**Ordering data**

Stainless steel 1.4404 316L, electropolished		Order No.
	0 gland plates	1195600000
	1 gland plate - positioned at the bottom (B)	1195610000
	3 gland plates - positioned at bottom, left and right (B, C & D)	1195630000
<b>Note</b>		

**Accessories**

Mounting plates and fastening screws		Order No.
	Steel sheet, zinc plated	1194050000
	With hole pattern, sheet steel, galvanised	2022760000
	Stainless steel 1.4301 natural	1193920000
	With hole pattern, natural stainless steel 1.4301	1257770000
	Fastening screws for mounting plates	0642600000
	Fastening screws for terminal rails*	1274150000
<b>Mounting rails**, TS35x7.5</b>		
	Horizontally	8000006730
	Vertical	8000006719
<b>Stainless steel spacer M6 x 8, Set of 4</b>		
	10 mm length	0935110000
	15 mm length	0935120000
	20 mm length	0935130000
	30 mm length	0935140000
<b>Gland plates - 3 mm with M6 earth studs</b>		
	Top and bottom sides (A & B), electropolished stainless steel 1.4404	2024560000
	Left and right sides (C & D), electropolished stainless steel 1.4404	2024590000
<b>Gland plates and screws - 6 mm</b>		
	Top and bottom sides (A & B), electropolished stainless steel 1.4404	1256750000
	Left and right sides (C & D), electropolished stainless steel 1.4404	1256760000
	Mounting screw, stainless steel 1.4404	1253230000
<b>Rain hoods</b>		
	Stainless steel 1.4301, mirror-polished	1281580000
	Stainless steel 1.4404, electro-polished	1314340000
<b>Label holder</b>		
	70 x 70 angled stainless steel 1.4301	1279320000
	130x50 stainless steel 1.4301	1283450000
	100x25 stainless steel 1.4301	1257640000
<b>Document holders</b>		
	For DIN A6 size documents	1252780000
	For DIN A5 size documents	1252750000
	For DIN A4 size documents	1252730000
<b>Set of fixings*</b>		
	For label holders, rain hoods and document holders (rivet)	1252190000
	For plastic (Trafolyte), identification plate (screw)	1285200000
<b>Earthing stud</b>		
	Stainless steel 1.4404, M10	1192690000

**Note** \*Packing unit (PU) = 20 pcs., sufficient for 10 fixtures  
 \*\*Packing unit (PU) = 20 pcs., fixing screws 1274150000 available separately



**Guide value for max. number of terminals (industry)**

Assembly with terminal	vertical	horizontal
2.5 mm <sup>2</sup>	6x174	9x127
4 mm <sup>2</sup>	6x146	8x99
6 mm <sup>2</sup>	5x108	7x78
10 mm <sup>2</sup>	4x85	6x63
16 mm <sup>2</sup>	4x72	5x51
35 mm <sup>2</sup>	3x54	4x38

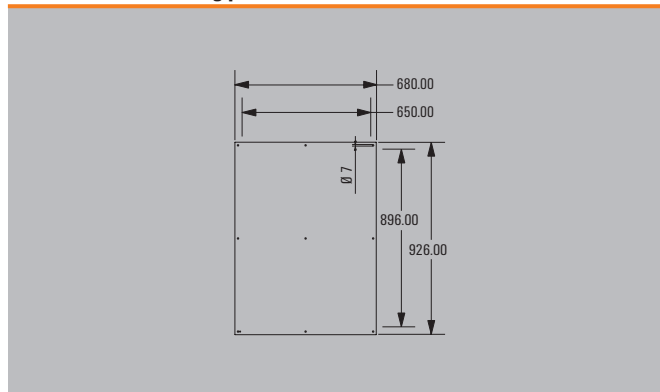
**Note** \*For the enclosure versions with no, one or two gland plates, the horizontal distance of the mounting feet is reduced by 30 mm.  
 When mounting modular terminals please leave a distance of 10 mm to the ends of the DIN rail.  
 Ordering recommendations:  
 TS 35 Mounting rail with clamping yoke technology WDU, spring-cage terminal ZDU or PUSH IN technology AZC  
 TS 32 Mounting rail with clamping yoke technology SAK  
 TS 15 Mounting rail with clamping yoke technology AKZ  
 Order information for terminal blocks, please refer to online catalogue

**Guide value for max. number of cable entries**

Cable entries	A / B	C / D
M12	96	126
M16	64	84
M20	42	54
M25	36	48
M32	20	26
M40	16	22
M50	6	10
M63	6	8
M75	4	6

**Note** Our IP 68 brass cable glands serve as a reference for these recommended values.

**Dimensions of mounting plate**





# Klippon® TB QL – Quarter Lock

## Stainless steel enclosures for industrial areas and potentially explosive atmospheres

The potentially explosive atmospheres of process industry and power generation plants are subject to difficult environmental conditions and growing safety requirements. With their outstanding performance features, Klippon® TB enclosures are ideally suited to meet these challenges. The tried-and-tested and market-leading product range has now been improved in a number of ways.

We manufacture and deliver the enclosures according to your individual requirements - fully assembled with terminal blocks, electronic components and cable glands.

### Features:

- Available in 12 standard sizes with 3 standard depths
- Custom sizes available on request
- Equipped with up to four flange plates
- Gasket with compression protection
- Cover quick release with slot
- Improved temperature performance
- High IP66 protection class
- Integrated earth studs in the cover and lower section
- Welded mounting feet



**i** Use our online catalogue to find additional product details, technical information and additional services:  
[www.weidmueller.com/klippontb](http://www.weidmueller.com/klippontb)



You can find this product family in our Weidmüller Configurator:  
[www.weidmueller.com/wmc](http://www.weidmueller.com/wmc)

### Overview of enclosures

#### Ordering data

Description	Height x width x depth in mm	0 Gland Plates	1 Gland Plate (below)	2 Gland Plates (above + below)	3 Gland plates (below + sides)	4 Gland plates (all sides)
KTB QL 221513 S4E_*	229 x 152 x 133	1199850000	1199860000	1199870000	1199880000	1199890000
KTB QL 262615 S4E_*	260 x 260 x 150	1199900000	1199910000	1199920000	1199930000	1199940000
KTB QL 262620 S4E_*	260 x 260 x 200	1199950000	1199960000	1199970000	1199980000	1199990000
KTB QL 303015 S4E_*	306 x 306 x 150	1200010000	1200020000	1200030000	1200040000	1200050000
KTB QL 303020 S4E_*	306 x 306 x 200	1200060000	1200070000	1200080000	1200090000	1200100000
KTB QL 352615 S4E_*	350 x 260 x 150	1200110000	1200120000	1200130000	1200140000	1200150000
KTB QL 352620 S4E_*	350 x 260 x 200	1200160000	1200170000	1200180000	1200190000	1200210000
KTB QL 403015 S4E_*	400 x 300 x 150	1200220000	1200230000	1200240000	1200250000	1200260000
KTB QL 403020 S4E_*	400 x 300 x 200	1200270000	1200280000	1200290000	1200310000	1200320000
KTB QL 453815 S4E_*	458 x 382 x 150	1200330000	1200340000	1200350000	1200360000	1200370000
KTB QL 453820 S4E_*	458 x 382 x 200	1200380000	1200390000	1200410000	1200420000	1200430000
KTB QL 484815 S4E_*	480 x 480 x 150	1200440000	1200450000	1200460000	1200470000	1200480000
KTB QL 484820 S4E_*	480 x 480 x 200	1200490000	1200510000	1200520000	1200530000	1200540000
KTB QL 553515 S4E_*	550 x 350 x 150	1200550000	1200560000	1200570000	1200580000	1200590000
KTB QL 553520 S4E_*	550 x 350 x 200	1200610000	1200620000	1200630000	1200640000	1200650000
KTB QL 624515 S4E_*	620 x 450 x 150	1200660000	1200670000	1200680000	1200690000	1200710000
KTB QL 624520 S4E_*	620 x 450 x 200	1200720000	1200730000	1200740000	1200750000	1200760000
KTB QL 765015 S4E_*	762 x 508 x 150	1200770000	1200780000	1200790000	1200810000	1200820000
KTB QL 765020 S4E_*	762 x 508 x 200	1200830000	1200840000	1200850000	1200860000	1200870000
KTB QL 916115 S4E_*	914 x 610 x 150	1200940000	1200950000	1200910000	1200920000	1200930000
KTB QL 916120 S4E_*	914 x 610 x 200	1200880000	1200950000	1200960000	1200970000	1200980000
KTB QL 987420 S4E_*	980 x 740 x 200	1200990000	1201010000	1201020000	1201030000	1201040000

**Note** \* Placeholder for the number of gland plates (0, 1, 2, 3, 4). The Klippon® TB QL enclosures are subject to minimum order quantities.

## Technical Overview

### Technical data

Enclosure material*	Stainless steel 1.4404 (316L) 1.5 mm
Surface finish	electropolished
IP protection class	IP66 to DIN EN 60529
NEMA protection classes	3, 4x, 12
Gland plates	1-4 (fixed with M6 hexagon head screws with 10 mm heads), optionally without a gland plate
Gland plate thickness	3 mm (other thickness are available on request)
Earthing inside	Enclosure base and lid: welded M6 stainless steel earth studs
Earthing outside	Continuous M10 brass earth stud (optionally with stainless-steel earth stud)
Installation mounting	4 or 9 mounting bolts with M6 threaded holes to attach the mounting plate or mounting rail
Enclosure attachment	4 or 6 welded mounting feet with 1.1-mm holes (2 slotted and 2 cross-shaped openings)
Lid opening	Lid can be fully removed without the use of tools, can be fitted on both sides, lid opening angle: 130°
Cover attachment	Quarter-turn lock with slotted insert (other inserts available on request)
Impact resistance	7 J to IEC 60079-0, IK 09 (10J) to DIN EN 50102
Gasket material	Silicone
Operating temperature range	-60 °C...+135 °C
Torque - lid and gland plate screws	2.5 Nm
<b>Note</b>	* Painted enclosures are available on request.

### Approvals for empty enclosures

ATEX certificate	IBExU14ATEX1028 U	EAC	C-DE.HB07.B.00089/20 / C-DE.AQ54.B.00251/19
ATEX marking	II 2G Ex eb IIC Gb II 2D Ex tb IIIC Db	cULus DNV GL	E243298 TAED00013S
IECEx certificate	IECEx IBE 14.0004U		
IECEx marking	Ex eb IIC Gb Ex tb IIIC Db	CCOE INMETRO	In preparation IEx 17.0020U
CCCEX certificate	2020322303002357	AEx	E223792
CCCEX marking	Ex e IIC Gb, Ex tD A21 IP66/67	Miscellaneous	EN 45545, DIN EN 15085-2/CL2
<b>Note</b>	The Klippon® TB enclosure range can be pre-fitted in our customer specific production department according to your wishes.		

### Approvals for control and distribution box

ATEX certificate	IBExU14ATEX1050	IECEx certificate	IECEx IBE 14.0013
ATEX marking	⊕ II 2G Ex eb IIC/IIA T6/T5/T4 Gb ⊕ II 1G Ex ia IIC/IIA T6/T5/T4 Ga ⊕ II 2G Ex eb ia IIC/IIA T6/T5/T4 Gb ⊕ II 2D Ex tb IIIC T80°C/T95°C/T135°C Db ⊕ II 1D Ex ia IIIC T80°C/T95°C/T135°C Da -60 °C ≤ Ta ≤ +40/+55/+90 °C	IECEx marking	Ex eb IIC/IIA T6/T5/T4 Gb Ex ia IIC/IIA T6/T5/T4 Ga Ex eb ia IIC/IIA T6/T5/T4 Gb Ex tb IIIC T80°C/T95°C/T135°C Db Ex ia IIIC T80°C/T95°C/T135°C Da -60 °C...+40/+55/+90 °C
CCCEX certificate	2020322303002358	INMETRO certificate	IEx 17.0021
CCCEX marking	Ex e IIC/IIA T6/T5/T4 Gb Ex ia IIC/IIA T6/T5/T4 Ga Ex e ia IIC/IIA T6/T5/T4 Gb	INMETRO marking	Ex eb IIC T6/T5/T4 Gb Ex ia IIC T6/T5/T4 Ga Ex eb ia IIC T6/T5/T4 Gb Ex tb IIIC 85°C/100°C/135°C Db IP66/IP67 Ex ia IIIC 85°C/100°C/135°C Da
EAC certificate	C-DE.HB07.B.00089/20	AEx certificate	E223792
EAC marking	1Ex e IIC/IIA T6/T5/T4 Gb 0Ex ia IIC/IIA T6/T5/T4 Ga 1Ex e ia IIC/IIA T6/T5/T4 Gb Ex tb IIIC T80°C/T95°C/T135°C Db Ex ia IIIC T80°C/T95°C/T135°C Da	AEx marking	Class I, Zone 1, AEx e IIC Gb T6..T4 Class I, Zone 2, AEx e IIC Gc T6..T4 Class I Div.2 Group A,B,C,D T6...T4 Class II Div.2 Group F,G Zone 21, AEx tb IIIC Db
KOSHA certificate	16-AV4B0-0245X		
KOSHA marking	Ex eb IIC/IIA T6/T5/T4 Gb Ex ia IIC/IIA T6/T5/T4 Ga Ex eb ia IIC/IIA T6/T5/T4 Gb Ex tb IIIC T80°C/T95°C/T135°C Db Ex ia IIIC T80°C/T95°C/T135°C Da -60 °C...+40/+55/+90 °C		
<b>Note</b>	Labelling depends on the application layout. For information about power loss, please contact your Weidmüller contact person. Additional approvals available on request.		

# Klippon® TB FS – Fixing Screw

## Stainless steel enclosures for industrial areas and potentially explosive atmospheres

Growing safety requirements and challenging environmental conditions in the potentially explosive atmospheres of process industry and power generation plants place special demands on enclosure solutions. Klippon® TB enclosures have special performance features that enable them to meet these demands.

The Klippon® TB FS enclosure series complements our Klippon® TB MH and Klippon® TB QL standard enclosures. On request, we manufacture and deliver these enclosures custom-assembled with terminal blocks, electronic components and cable glands.

### Features:

- Available in 12 sizes and 3 standard depths
- Equipped with up to four flange plates
- Gasket with compression protection
- Cover lock outside the sealed zone
- Improved temperature performance
- High protection classes: IP66 and IP67
- Integrated earth studs in the cover and lower section
- Welded mounting feet



**i** Use our online catalogue to find additional product details, technical information and additional services:  
[www.weidmueller.com/klippontb](http://www.weidmueller.com/klippontb)

**WMC** You can find this product family in our Weidmüller Configurator:  
[www.weidmueller.com/wmc](http://www.weidmueller.com/wmc)

### Overview of enclosures

#### Ordering data

Description	Height x width x depth in mm	0 Gland Plates	1 Gland Plate (below)	2 Gland Plates (above + below)	3 Gland plates (below + sides)	4 Gland plates (all sides)
KTB FS 221513 S4E_*	229 x 152 x 133	1195650000	1195660000	1195670000	1195680000	1195690000
KTB FS 262615 S4E_*	260 x 260 x 150	1195700000	1195710000	1195720000	1195730000	1195740000
KTB FS 262620 S4E_*	260 x 260 x 200	1195750000	1195760000	1195770000	1195780000	1195790000
KTB FS 303015 S4E_*	306 x 306 x 150	1195800000	1195810000	1195820000	1195830000	1195840000
KTB FS 303020 S4E_*	306 x 306 x 200	1195850000	1195860000	1195870000	1195880000	1195890000
KTB FS 352615 S4E_*	350 x 260 x 150	1195900000	1195910000	1195920000	1195930000	1195940000
KTB FS 352620 S4E_*	350 x 260 x 200	1195950000	1195960000	1195970000	1195980000	1195990000
KTB FS 403015 S4E_*	400 x 300 x 150	1196000000	1196010000	1196020000	1196030000	1196040000
KTB FS 403020 S4E_*	400 x 300 x 200	1196050000	1196060000	1196070000	1196080000	1196090000
KTB FS 453815 S4E_*	458 x 382 x 150	1196100000	1196110000	1196120000	1196130000	1196140000
KTB FS 453820 S4E_*	458 x 382 x 200	1196150000	1196160000	1196170000	1196180000	1196190000
KTB FS 484815 S4E_*	480 x 480 x 150	1196200000	1196210000	1196220000	1196230000	1196240000
KTB FS 484820 S4E_*	480 x 480 x 200	1196250000	1196260000	1196270000	1196280000	1196290000
KTB FS 553515 S4E_*	550 x 350 x 150	1196300000	1196310000	1196320000	1196330000	1196340000
KTB FS 553520 S4E_*	550 x 350 x 200	1196350000	1196360000	1196370000	1196380000	1196390000
KTB FS 624515 S4E_*	620 x 450 x 150	1196400000	1196410000	1196420000	1196430000	1196440000
KTB FS 624520 S4E_*	620 x 450 x 200	1196450000	1196460000	1196470000	1196480000	1196490000
KTB FS 765015 S4E_*	762 x 508 x 150	1196500000	1196510000	1196520000	1196530000	1196540000
KTB FS 765020 S4E_*	762 x 508 x 200	1196550000	1196560000	1196570000	1196580000	1196590000
KTB FS 916115 S4E_*	914 x 610 x 150	1196600000	1196610000	1196620000	1196630000	1196640000
KTB FS 916120 S4E_*	914 x 610 x 200	1196650000	1196660000	1196670000	1196680000	1196690000
KTB FS 987420 S4E_*	980 x 740 x 200	1196700000	1196710000	1196720000	1196730000	1196740000

Note \* Placeholder for the number of gland plates (0, 1, 2, 3, 4). The Klippon® TB QL enclosures are subject to minimum order quantities.

## Technical Overview

### Technical data

Enclosure material*	Stainless steel 1.4404 (316L) 1.5 mm
Surface finish	electropolished
IP protection class	IP66 / IP67 to DIN EN 60529
NEMA protection classes	3, 4x, 12
Gland plates	1-4 (fixed with M6 hexagon head screws with 10 mm heads), optionally without a gland plate
Gland plate thickness	3 mm (other thickness are available on request)
Earthing inside	Enclosure base and lid: welded M6 stainless steel earth studs
Earthing outside	Continuous M10 brass earth stud (optionally with stainless-steel earth stud)
Installation mounting	4 or 9 mounting bolts with M6 threaded holes to attach the mounting plate or mounting rail
Enclosure attachment	4 or 6 welded mounting feet with 11-mm holes (2 slotted and 2 cross-shaped openings)
Lid opening	Lid can be fully removed without the use of tools
Cover attachment	M6 hexagonal slotted screws AF 10
Impact resistance	7J to IEC 60079-0, IK 09 (10J) to DIN EN 50102
Gasket material	Silicone
Operating temperature range	-60 °C...+105 °C (IP66/IP67), -60 °C...+135 °C (IP66)
Torque – lid and gland plate screws	2.5 Nm
<b>Note</b>	* Painted enclosures are available on request.

### Approvals for empty enclosures

ATEX certificate	IBExU14ATEX1028 U	EAC	C-DE.HB07.B.00089/20 / C-DE.AQ54.B.00251/19
ATEX marking	II 2G Ex eb IIC Gb II 2D Ex tb IIIC Db	cULus	E256877
		DNV GL	TAE000013S
IECEX certificate	IECEX IBE 14.0004U		
IECEX marking	Ex eb IIC Gb Ex tb IIIC Db	CCOE	In preparation
		INMETRO	IEx 17.0020U
CCCEX certificate	2020322303002357	AEx	E223792
CCCEX marking	Ex e IIC Gb, Ex tD A21 IP66/67	Miscellaneous	EN 45545, DIN EN 15085-2/CL2
<b>Note</b>	The Klippon® TB enclosure range can be pre-fitted in our customer specific production department according to your wishes.		

### Approvals for control and distribution box

ATEX certificate	IBExU14ATEX1050	IECEX certificate	IECEX IBE 14.0013
ATEX marking	⊕ II 2G Ex eb IIC/IIB/IIA T6/T5/T4 Gb ⊕ II 1G Ex ia IIC/IIB/IIA T6/T5/T4 Ga ⊕ II 2G Ex eb ia IIC/IIB/IIA T6/T5/T4 Gb ⊕ II 2D Ex tb IIIC T80°C/T95°C/T135°C Db ⊕ II 1D Ex ia IIIC T80°C/T95°C/T135°C Da -60 °C ≤ Ta ≤ +40/+55/+90 °C	IECEX marking	Ex eb IIC/IIB/IIA T6/T5/T4 Gb Ex ia IIC/IIB/IIA T6/T5/T4 Ga Ex eb ia IIC/IIB/IIA T6/T5/T4 Gb Ex tb IIIC T80°C/T95°C/T135°C Db Ex ia IIIC T80°C/T95°C/T135°C Da -60 °C...+40/+55/+90 °C
CCCEX certificate	2020322303002358	INMETRO certificate	IEx 17.0021
CCCEX marking	Ex e IIC/IIB/IIA T6/T5/T4 Gb Ex ia IIC/IIB/IIA T6/T5/T4 Ga Ex e ia IIC/IIB/IIA T6/T5/T4 Gb	INMETRO marking	Ex eb IIC T6/T5/T4 Gb Ex ia IIC T6/T5/T4 Ga Ex eb ia IIC T6/T5/T4 Gb Ex tb IIIC 85°C/100°C/135°C Db IP66/IP67 Ex ia IIIC 85°C/100°C/135°C Da
EAC certificate	C-DE.HB07.B.00089/20	AEx certificate	E223792
EAC marking	1Ex e IIC/IIB/IIA T6/T5/T4 Gb 0Ex ia IIC/IIB/IIA T6/T5/T4 Ga 1Ex e ia IIC/IIB/IIA T6/T5/T4 Gb Ex tb IIIC T80°C/T95°C/T135°C Db Ex ia IIIC T80°C/T95°C/T135°C Da	AEx marking	Class I, Zone 1, AEx e IIC Gb T6..T4 Class I, Zone 2, AEx e IIC Gc T6..T4 Class I Div.2 Group A,B,C,D T6...T4 Class II Div.2 Group F,G Zone 21, AEx tb IIIC Db
KOSHA certificate	16-AV4B0-0245X		
KOSHA marking	Ex eb IIC/IIB/IIA T6/T5/T4 Gb Ex ia IIC/IIB/IIA T6/T5/T4 Ga Ex eb ia IIC/IIB/IIA T6/T5/T4 Gb Ex tb IIIC T80°C/T95°C/T135°C Db Ex ia IIIC T80°C/T95°C/T135°C Da -60 °C...+40/+55/+90 °C		
<b>Note</b>	Labelling depends on the application layout. For information about power loss, please contact your Weidmüller contact person. Additional approvals available on request.		

# Klippon® Protect – terminal boxes

## Product overview of stainless steel enclosures

Various types of terminal boxes are available for installing signal / power supplies or distributors in potentially explosive atmospheres.

The terminal boxes are explosion-protected equipment approved for use in EX areas in zones 0, 1, 2 and 20, 21, 22.

They are approved in accordance with current international standards Ex e, Ex ia and Ex tb. Customer-specific configuration means these terminal boxes are the ideal solution for all applications. Use the product overview to find the right solution for you!

Combine enclosures with or without threaded holes with a suitable mounting rail or a pre-assembled terminal strip.

We have put together a small selection for you, but we are happy to configure your own customised solution.

**Features:**

- Available in a wide range of designs to meet customer requirements
- Additional international approvals alongside IECEx, ATEX and EAC also available
- High quality thanks to the use of tried-and-tested basic products of the Klippon® brand



**i** Use our online catalogue to find additional product details, technical information and additional services:  
[www.weidmuller.com/externalbox](http://www.weidmuller.com/externalbox)

**Overview of enclosures**

**Terminal boxes based on the Klippon® TB enclosure series**

Description	Height x width x depth in mm	Labelling	Approval	Order No.
KTb MH 221513 Exia	229 x 152 x 133	Ex ia IIC T4 Ga	IECEX, ATEX, EAC	8000028398
KTb MH 262615 Exia	260 x 260 x 150	Ex ia IIC T4 Ga	IECEX, ATEX, EAC	8000028399
KTb QL 484820 Exe	480 x 480 x 200	Ex eb IIC T6 Gb	IECEX, ATEX, EAC	8000028401
<b>Note</b>				

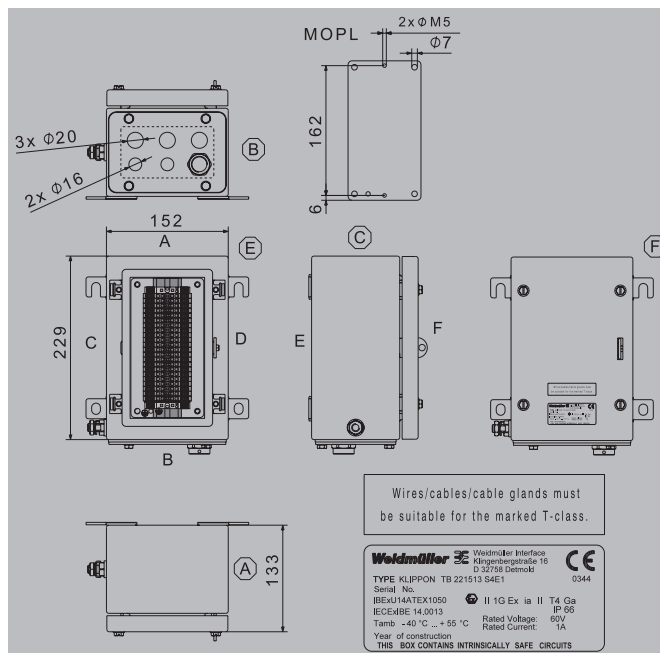


**Technical Overview****Technical data**

<b>Enclosure</b>	
Material	Stainless steel 1.4404 (316L) 1.5 mm
Surface finish	electropolished (Klippon® TB)
IP protection class	IP66 / IP67 to DIN EN 60529
Gasket material	Silicone
<b>Modular terminal</b>	
Material	Wemid
Colour	beige, blue or green/yellow
Connection technology	Screw connection
Clamped conductors (H05V/H07V)	Solid, flexible and flexible with wire-end ferrule
<b>Note</b>	

**Approvals for Klippon® TB**

ATEX certificate	IBExU14ATEX1050
IECEx certificate	IECEx IBE 14.0013
EAC certificate	C-DE.HB07.B.00089/20
<b>Note</b>	
Labelling depends on the application layout. For information about power loss, please contact your Weidmüller contact person.	



Height / Width / Depth	229 / 152 / 133 mm
------------------------	--------------------

**Ordering data**

	Order No.
KTB MH 221513 EXIA	<b>8000028398</b>

**Note**

**Technical data**

Article - short description	Klippon TB (Terminal Box), Terminal Box, stainless steel enclosure, Height: 229 mm, Width: 152 mm, Depth: 133 mm, Gland plates: Bottom, Material: Stainless steel 1.4404 (316L), electropolished, silver
Identification	Ex ia IIC T4 Ga
Certificate no. Terminal Box (ATEX)	IBExU14ATEX1050
Certificate no. Terminal Box (IECEX)	IECEX IBE 14.0013
Standards	IEC 60079-0, IEC 60079-7, IEC 60079-11, IEC 60079-31, EN 60079-0, EN 60079-7, EN 60079-11, EN 60079-31, EN/IEC 60079-26
Ambient temperature	Tamb -40°C...+55°C
Type label material	Polyester coated with aluminium
Protection class	IP66
<b>Assembly</b>	
Modular terminal blocks	1x22
Rated cross-section	4 mm²
Rated voltage	60 V
Rated current	1 A
Drill holes side A	none
Drill holes side B	2 x M16, 3 x M20, 1 x BDX
<b>Technical data, enclosure</b>	
Material	Stainless steel 1.4404 (316L)
Surface finish	electropolished
Material thickness	1.5 mm
Material thickness of flange	3 mm
Gland plates	Bottom
Seal material	Silicone
Enclosure attachment	4 welded-on mounting feet with 11 mm hole size
Mounting dimension - height / -width	152 mm / 178 mm
Lid attachment	4 hinges and M6 hex-head slotted screws SW10
Access opening: height / Access opening: width	176 mm / 93 mm
Earth, enclosure, external	Continuous M10 earth stud in body enclosure
Earth, enclosure, internal	Welded-on M6 stainless-steel earth stud in enclosure body and lid.

**Note**

**Reference products**

	Order No.
KTB MH 221513 S4E1	<b>1194560000</b>
WDU 4 BL	<b>1020180000</b>
KLIPPON BDX M20 S	<b>2519550000</b>

**Note**

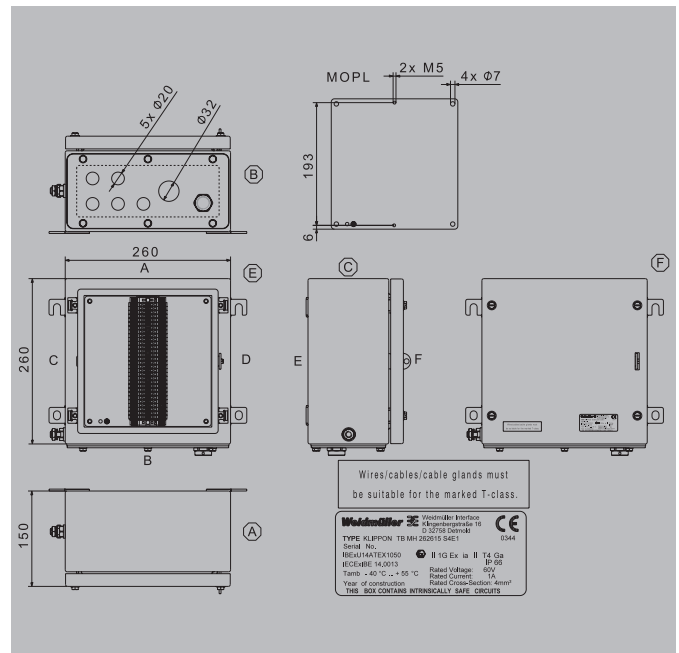
**Accessories**

	Order No.
<b>Mounting plates and fastening screws</b>	
Stainless steel 1.4301 natural	<b>1193810000</b>
Fastening screws for mounting plates	<b>0642600000</b>
<b>Gland plate 3 mm</b>	
Top and bottom sides (A & B), electropolished stainless steel 1.4404	<b>1280890000</b>
<b>Gland plates and screws - 6 mm</b>	
Top and bottom sides (A & B), electropolished stainless steel 1.4404	<b>1256270000</b>
Mounting screw, stainless steel 1.4404	<b>1253230000</b>
<b>Rain hoods</b>	
Stainless steel 1.4301, mirror-polished	<b>1281360000</b>
<b>Label holder</b>	
70 x 70 angled stainless steel 1.4301	<b>1279320000</b>
<b>Earthing stud</b>	
Stainless steel 1.4404, M10	<b>1192690000</b>
<b>Pressure compensating element with drainage function</b>	
M20, brass	<b>2519520000</b>
<b>Cable glands</b>	
Nickel-plated brass, Ex e, M16, 3-12 mm	<b>1460040000</b>
Nickel-plated brass, Ex e, M20, 3-12 mm	<b>1460050000</b>
<b>Blanking plugs</b>	
Nickel-plated brass, Ex e, M16	<b>1218940000</b>
Nickel-plated brass, Ex e, M20	<b>1218950000</b>
<b>Locknuts</b>	
Nickel-plated brass, M16	<b>1736990000</b>
Nickel-plated brass, M20	<b>1737000000</b>

**Note**

## Klippon® TB MH 262615 Ex ia terminal box

Depth 150 mm



Height / Width / Depth 260 / 260 / 150 mm

## Ordering data

	Order No.
KTB MH 262615 EXIA	8000028399

## Note

## Technical data

Article - short description	Klippon TB (Terminal Box), Terminal Box, stainless steel enclosure, Height: 260 mm, Width: 260 mm, Depth: 150 mm, Gland plates: Bottom, Material: Stainless steel 1.4404 (316L), electropolished, silver
Identification	Ex ia IIC T4 Ga
Certificate no. Terminal Box (ATEX)	IBExU14ATEX1050
Certificate no. Terminal Box (IECEx)	IECEx IBE 14.0013
Standards	IEC 60079-0, IEC 60079-7, IEC 60079-11, IEC 60079-31, EN 60079-0, EN 60079-7, EN 60079-11, EN 60079-31, EN/IEC 60079-26
Ambient temperature	Tamb -40°C...+55°C
Type label material	Polyester coated with aluminium
Protection class	IP66
<b>Assembly</b>	
Modular terminal blocks	1x30
Rated cross-section	4 mm <sup>2</sup>
Rated voltage	60 V
Rated current	1 A
Drill holes side A	none
Drill holes side B	5 x M20, 1 x M32, 1 x BDX
<b>Technical data, enclosure</b>	
Material	Stainless steel 1.4404 (316L)
Surface finish	electropolished
Material thickness	1.5 mm
Material thickness of flange	3 mm
Gland plates	Bottom
Seal material	Silicone
Enclosure attachment	4 welded-on mounting feet with 11 mm hole size
Mounting dimension - height / -width	170 mm / 286 mm
Lid attachment	4 hinges and M6 hex-head slotted screws SW10
Access opening: height / Access opening: width	207 mm / 201 mm
Earth, enclosure, external	Continuous M10 earth stud in body enclosure
Earth, enclosure, internal	Welded-on M6 stainless-steel earth stud in enclosure body and lid.

## Note

## Reference products

	Order No.
KTB MH 262615 S4E1	1194610000
WDU 4 BL	1020180000
KLIPPON BDX M20 S	2519550000

## Note

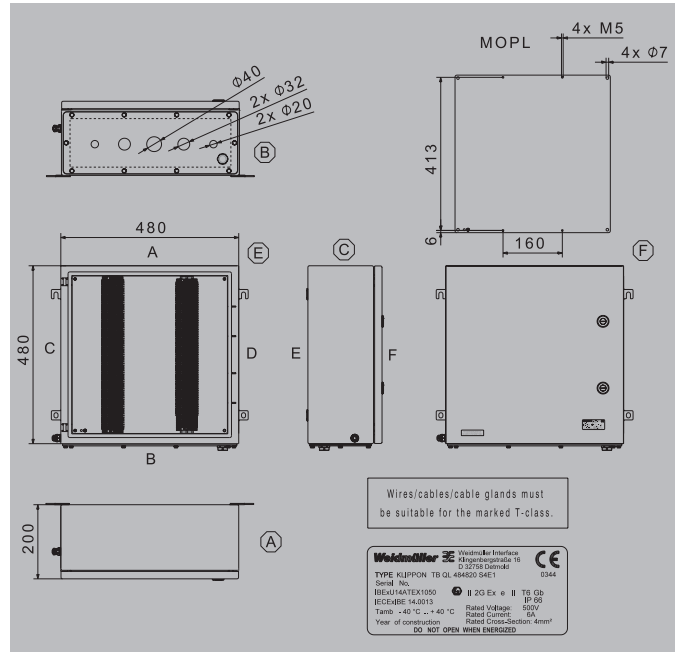
## Accessories

Mounting plates and fastening screws	Order No.
Stainless steel 1.4301 natural	1193820000
Fastening screws for mounting plates	0642600000
<b>Gland plate 3 mm</b>	
Top and bottom sides (A & B), electropolished stainless steel 1.4404	1280910000
<b>Gland plates and screws - 6 mm</b>	
Top and bottom sides (A & B), electropolished stainless steel 1.4404	1256290000
Mounting screw, stainless steel 1.4404	1253230000
<b>Rain hoods</b>	
Stainless steel 1.4301, mirror-polished	1281370000
<b>Label holder</b>	
100x25 stainless steel 1.4301	1257640000
130x50 stainless steel 1.4301	1283450000
70 x 70 angled stainless steel 1.4301	1279320000
<b>Earthing stud</b>	
Stainless steel 1.4404, M10	1192690000
<b>Document holders</b>	
For DIN A6 size documents	1252780000
<b>Pressure compensating element with drainage function</b>	
M20, brass	2519520000
<b>Cable glands</b>	
Nickel-plated brass, Ex e, M20, 3-12 mm	1460050000
Nickel-plated brass, Ex e, M32, 14-24 mm	1460080000
<b>Blanking plugs</b>	
Nickel-plated brass, Ex e, M20	1218950000
Nickel-plated brass, Ex e, M32	1218970000
<b>Locknuts</b>	
Nickel-plated brass, M20	1737000000
Nickel-plated brass, M32	1737020000

## Note

Klippon® TB QL 484820 Ex e terminal box

Depth 200 mm



480 / 480 / 200 mm

Ordering data

	Order No.
KTBL QL 484820 EXE	8000028401

Note

Technical data

Article - short description	Klippon TB (Terminal Box), Terminal Box, stainless steel enclosure, Height: 480 mm, Width: 480 mm, Depth: 200 mm, Gland plates: Bottom, Material: Stainless steel 1.4404 (316L), electropolished, silver
Identification	Ex eb IIC T6 Gb
Certificate no. Terminal Box (ATEX)	IBExU14ATEX1050
Certificate no. Terminal Box (IECEx)	IECEx IBE 14.0013
Standards	IEC 60079-0, IEC 60079-7, IEC 60079-31, EN 60079-0, EN 60079-7, EN 60079-31
Ambient temperature	Tamb -40°C...+40°C
Type label material	Polyester coated with aluminium
Protection class	IP66
<b>Assembly</b>	
Modular terminal blocks	1x66, 1x59, 5 x PE
Rated cross-section	4 mm²
Rated voltage	550 V
Rated current	6 A
Drill holes side A	none
Drill holes side B	2 x M20, 2 x M25, 1 x M40, 1 x BDX
<b>Technical data, enclosure</b>	
Material	Stainless steel 1.4404 (316L)
Surface finish	electropolished
Material thickness	1.5 mm
Material thickness of flange	3 mm
Gland plates	Bottom
Seal material	Silicone
Enclosure attachment	4 welded-on mounting feet with 11 mm hole size
Mounting dimension - height / -width	327 mm / 506 mm
Lid attachment	Quarter-turn fastener with slotted insert
Access opening: height / Access opening: width	427 mm / 421 mm
Earth, enclosure, external	Continuous M10 earth stud in body enclosure
Earth, enclosure, internal	Welded-on M6 stainless-steel earth stud in enclosure body and lid.

Note

Reference products

	Order No.
KTBL QL 484820 S4E1	1200510000
WDU 4	1020100000
WPE 4	1010100000
KLIPPON BDX M20 S	2519550000

Note

Accessories

	Order No.
<b>Mounting plates and fastening screws</b>	
Stainless steel 1.4301 natural	1193870000
Fastening screws for mounting plates	0642600000
<b>Gland plate 3 mm</b>	
Top and bottom sides (A & B), electropolished stainless steel 1.4404	1281130000
<b>Gland plates and screws - 6 mm</b>	
Top and bottom sides (A & B), electropolished stainless steel 1.4404	1256550000
Mounting screw, stainless steel 1.4404	1253230000
<b>Rain hoods</b>	
Stainless steel 1.4301, mirror-polished	1281480000
<b>Label holder</b>	
100x25 stainless steel 1.4301	1257640000
130x50 stainless steel 1.4301	1283450000
70 x 70 angled stainless steel 1.4301	1279320000
<b>Document holders</b>	
For DIN A6 size documents	1252780000
For DIN A4 size documents	1252730000
<b>Earthing stud</b>	
Stainless steel 1.4404, M10	1192690000
<b>Pressure compensating element with drainage function</b>	
M20, brass	2519520000
<b>Cable glands</b>	
Nickel-plated brass, Ex e, M20, 3-12 mm	1460050000
Nickel-plated brass, Ex e, M25, 10-18 mm	1460070000
Nickel-plated brass, Ex e, M40, 22-32 mm	1460090000
<b>Blanking plugs</b>	
Nickel-plated brass, Ex e, M20	1218950000
Nickel-plated brass, Ex e, M25	1218960000
Nickel-plated brass, Ex e, M40	1218980000
<b>Locknuts</b>	
Nickel-plated brass, M20	1737000000
Nickel-plated brass, M25	1737010000
Nickel-plated brass, M40	1737030000

Note



# Klippon® TB Railway for the railway technology of the future

## Customised enclosure solutions for tunnels, trains and tracks

The mobility needs of our society are growing. At the same time, the demands placed on safety, speed, comfort and efficiency are also increasing. Whether for rail vehicles, stationary systems or signalling equipment: As a leading supplier of connection solutions, we provide you with an extensive range of innovative products for the safe and reliable connection of signals, data or energy for the diverse systems and components required in the railway sector. We enhance the competitive edge of our customers with simple, optimised interfaces and connection solutions.

The experts in our assembly team will work together with you to develop exactly the industry-specific solutions you need for your railway application. Our new certified Klippon® TB Railway portfolio provides the perfect basis for this. This series was specially developed for applications on tracks, in trains and in tunnel systems. The extensive range enables our international experts to realise customer-specific projects quickly and efficiently. We can provide you with a complete range of services on request – from consulting and development to production and certification. With us, you get fast, uncomplicated and professional services from a single, competent source.



### Your special advantage:

- Application-specific consulting by a competent sales team
- Global network for development and certification
- Efficient, solution-oriented development on the basis of our existing portfolio
- Profound project maturity and extensive documentation aids
- International IRIS-certified project management
- Type and qualification testing services by an accredited laboratory



Use our online catalogue to find additional product details, technical information and additional services:

[www.weidmueller.com/klipponrailway](http://www.weidmueller.com/klipponrailway)

### Overview of enclosures

Description	Design	Additional assembly options (on request)	Order No.
<b>Boxes for rolling stock</b>			
KTB FS 262615 S2N2 TRAINBOX SMALL	Enclosures	HV 4000, vertical, up to 3-pole	8000080478
KTB FS 352615 S2P2 TRAINBOX HV	Terminal boxes, fitted with HV 4000, 4-pin	-	8000080479
KTB FS 453815 S2N2 TRAINBOX BIG	Enclosures	HV 4000, vertical, up to 5-pole	8000080863
KTB FS 302915 S2N2 ANGLEDBOX EDGE HV	Terminal boxes, fitted with HV 2700	-	8000092462
<b>Boxes for trackside</b>			
KTB FS 262615 S2B1 TRACKBOX SMALL	Enclosures	Vertical with feed-through terminal blocks (A-Series or W-Series)	8000080480
KTB FS 553518 S2B1 TRACKBOX EQP	Terminal boxes, fitted with A2C and OVP	-	8000080481
KTB FS 624515 S2B1 TRACKBOX BIG	Enclosures	Vertical with feed-through terminal blocks (A-Series or W-Series)	8000080482
<b>Boxes for tunnel installation</b>			
KTB FS 221513 S2B2 TUBEBOX	Enclosures	Vertical with ceramic feed-through terminal blocks	8000080476
KTB FS 262615 S2B2 TUBEBOX SAKK 10	Terminal boxes, fitted with SAKK 10	-	8000080477
<b>Note</b>			

## Enclosure solutions for use in tunnels



**Application focus 1:** Connection boxes for modern train protection systems, antennas and further trackside equipment in tunnels

**Your special advantages:**

- Durable protection of the electrical installation in demanding tunnel environments
- No compromises to visibility thanks to non-reflective surfaces
- Resistant to vibrations and falling rocks in the vicinity of the track

**Application focus 2:** Connection boxes for the fail-safe supply of power to emergency systems in tunnels

**Your special advantages:**

- Certified fireproof uninterruptible emergency power supply (acc. to EN 455455 HL3)

## Enclosure solutions for on-vehicle use



**Application focus 1:** Motor connection boxes for DC, three-phase and AC drives

**Your special advantages:**

- Space-saving design, flexible use of installation space
- Current load tolerance for lower heat and higher resistance

**Application focus 2:** Gangway connection box for distributing supply voltage in train sets

**Your special advantages:**

- Robust and secure protection for the power supply of trains
- Space-saving design, flexible use of installation space

## Enclosure solutions for trackside use



**Application focus:** Small, medium and large connection terminals for antennas, axle counters, point machines and other components along the track

**Your special advantages:**

- Protection of electrical installations in the harsh environment of railway tracks
- Secure EMC protection
- High level of resistance, even with intensive solar radiation

# Klippon® TB Railway – Stainless steel enclosure

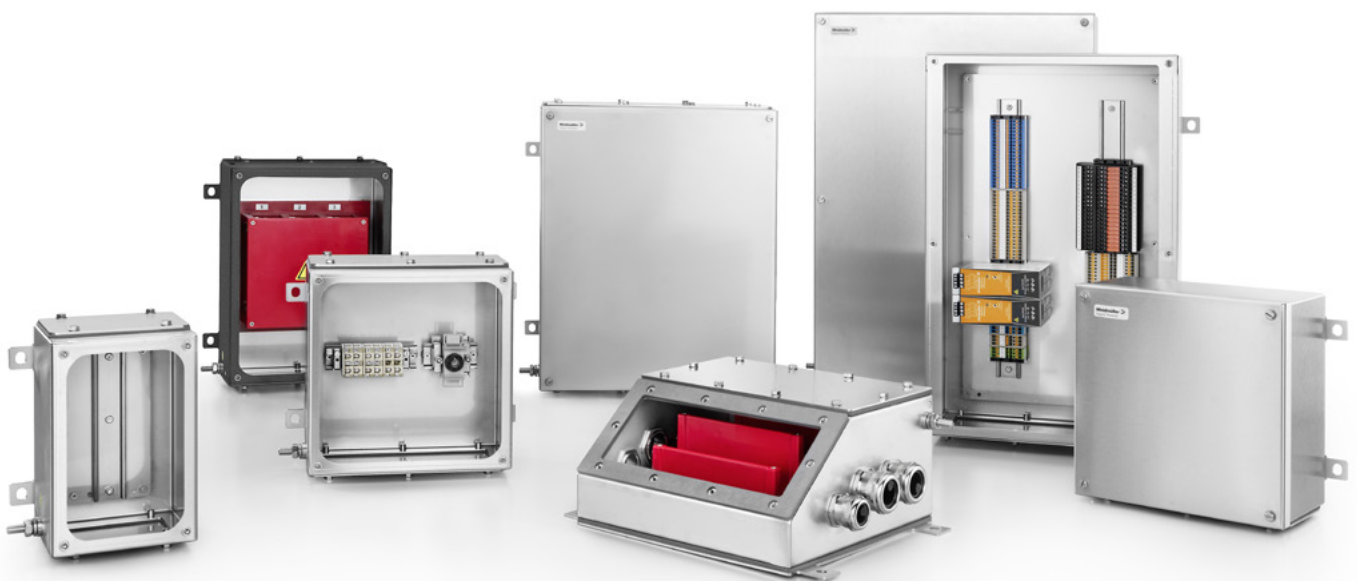
the basis of our enclosure solutions for the mobility of the future

## Technical Overview

### Technical data

Enclosure material	Stainless steel 1.4404 (316L) 1.5 mm
Surface finish outside	brushed, natural or painted, depending on the variant
Surface finish inside	Natural
IP protection class	IP66 / IP67 to DIN EN 60529
NEMA protection classes	3, 4x, 12
Gland plates	0 / 2 (top/bottom) or 0 / 1 (bottom), depending on the variant
Gland plate thickness	3 mm
Earthing outside	M10 stainless steel bolt, extended
Mounting plate	optional
Installation mounting	4 or 9 mounting bolts with M6 threaded holes to attach the mounting plate or mounting rail
Enclosure attachment	4 or 6 welded mounting feet with 11-mm holes (2 slotted and 2 cross-shaped openings)
Lid opening	Lid can be fully removed without the use of tools
Cover attachment	M6 hexagonal slotted screws AF 10
Impact resistance	10J to DIN EN 50102
Gasket material	Silicone
Operating temperature range	-60 °C...+105 °C (IP66/IP67), -60 °C...+135 °C (IP66)
Torque – lid and gland plate screws	2.5 Nm
Fire protection class acc. to	EN 45545 HL3
Vibration resistance acc. to	EN 61373 1b for vehicle applications or EN 60068 (< 1m) for tunnel and trackside applications
Welding standard	EN 15085 CL2 for vehicle applications or ISO DIN EN 3834-3 for tunnel and trackside applications

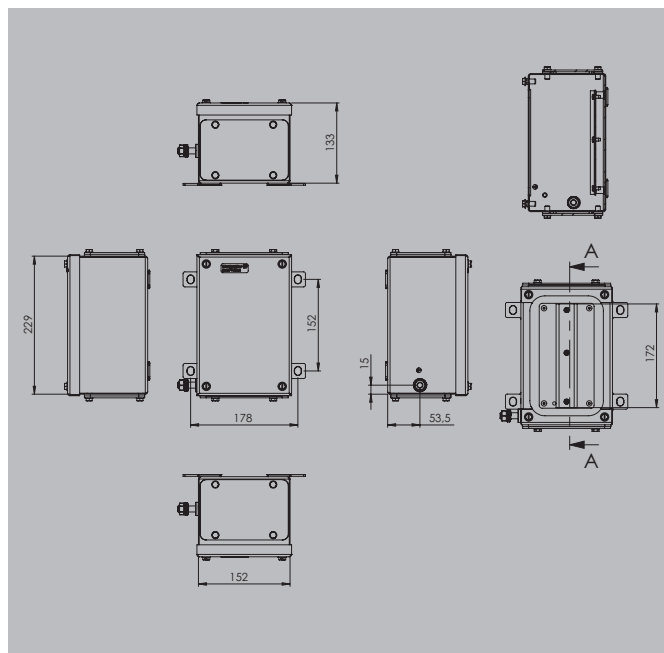
### Note





**KTB FS 221513 S2B2 TUBEBOX**

Depth **133 mm**



Height / Width / Depth 229 / 152 / 133 mm

**Ordering data**

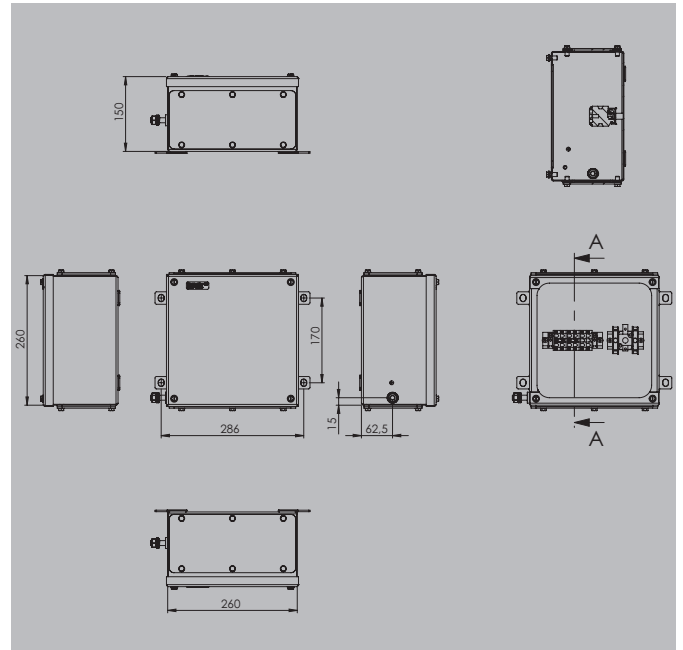
	Order No.
KTB FS 221513 S2B2 TUBEBOX	<b>800080476</b>

**Note**

**Technical data**

Article - short description	Enclosures, Height: 229 mm, Width: 152 mm, Depth: 133 mm, Gland plates: Bottom, top, Material: Stainless steel 1.4301 (304), Brushed, silver
Ambient temperature	-60 °C...135 °C
Protection class	IP66, IP67
Standards	EN 60068 ≤1m from the track
Impact resistance	10 J version standard
<b>Assembly</b>	
Fuse holder available	No
Drill holes side A	none
Drill holes side B	none
<b>Technical data, enclosure</b>	
Material	Stainless steel 1.4301 (304)
Surface finish	Brushed
Seal material	Silicone
Lid attachment	M6 hex-head slotted screws SW10
Flange plate	Yes

**Note**



Height / Width / Depth 260 / 260 / 150 mm

**Ordering data**

	Order No.
KTB FS 262615 S2B2 TUBEBOX SAKK 10	800080477
<b>Note</b>	

**Reference products**

	Order No.
SAKK 10	9502610000
<b>Note</b>	

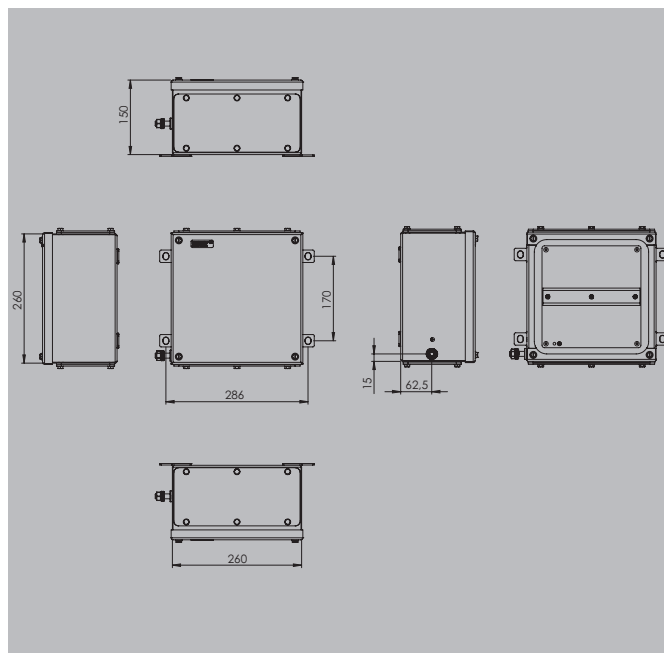
**Technical data**

Article - short description	Enclosures, Height: 260 mm, Width: 260 mm, Depth: 150 mm, Gland plates: Bottom, top, Material: Stainless steel 1.4301 (304), Brushed, silver
Ambient temperature	-60 °C...135 °C
Protection class	IP66, IP67
Standards	EN 60068 ≤1m from the track
Impact resistance	10 J version standard
<b>Assembly</b>	
Fuse holder available	Yes
SAKK 10	1x6
Drill holes side A	none
Drill holes side B	none
<b>Technical data, enclosure</b>	
Material	Stainless steel 1.4301 (304)
Surface finish	Brushed
Seal material	Silicone
Lid attachment	M6 hex-head slotted screws SW10
Flange plate	Yes

**Note**

**KTB FS 262615 S2N2 TRAINBOX SMALL**

**Depth 150 mm**



Height / Width / Depth 260 / 260 / 150 mm

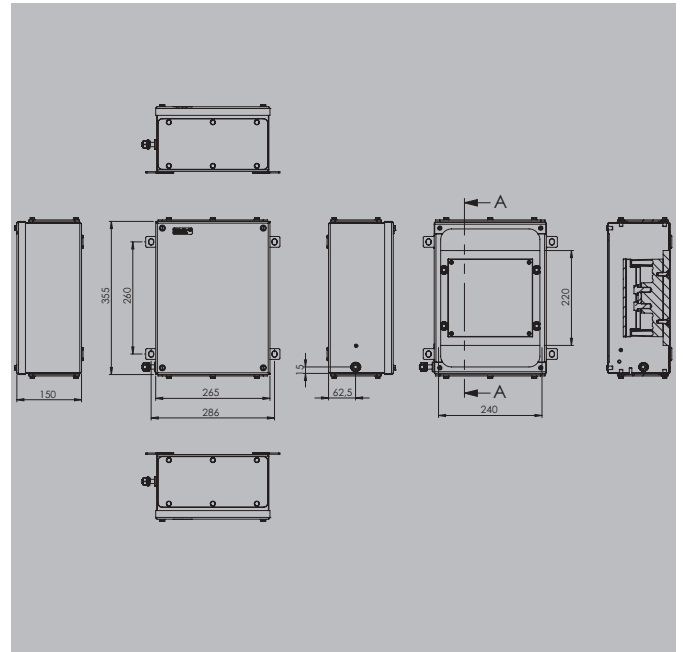
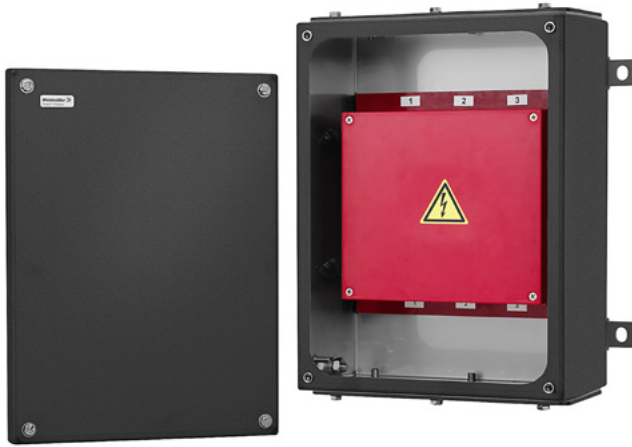
**Ordering data**

	Order No.
KTB FS 262615 S2N2 TRAINBOX SMALL	<b>8000080478</b>
<b>Note</b>	

**Technical data**

Article - short description	Enclosures, Height: 260 mm, Width: 260 mm, Depth: 150 mm, Gland plates: Bottom, top, Material: Stainless steel 1.4301 (304), untreated, silver
Ambient temperature	-60 °C...135 °C
Protection class	IP66, IP67
Standards	EN 61373 1b, EN 45545 HL3, EN 15085 CL2
Impact resistance	10 J version standard
<b>Assembly</b>	
Fuse holder available	No
Drill holes side A	none
Drill holes side B	none
<b>Technical data, enclosure</b>	
Material	Stainless steel 1.4301 (304)
Surface finish	untreated
Seal material	Silicone
Lid attachment	M6 hex-head slotted screws SW10
Flange plate	Yes

**Note**



Height / Width / Depth 350 / 260 / 150 mm

**Ordering data**

	Order No.
KTB FS 352615 S2P2 TRAINBOX HV	<b>8000080479</b>
<b>Note</b>	

**Reference products**

	Order No.
HV MUSTERLEISTE M8/M10/M12	<b>8000073249</b>
<b>Note</b>	

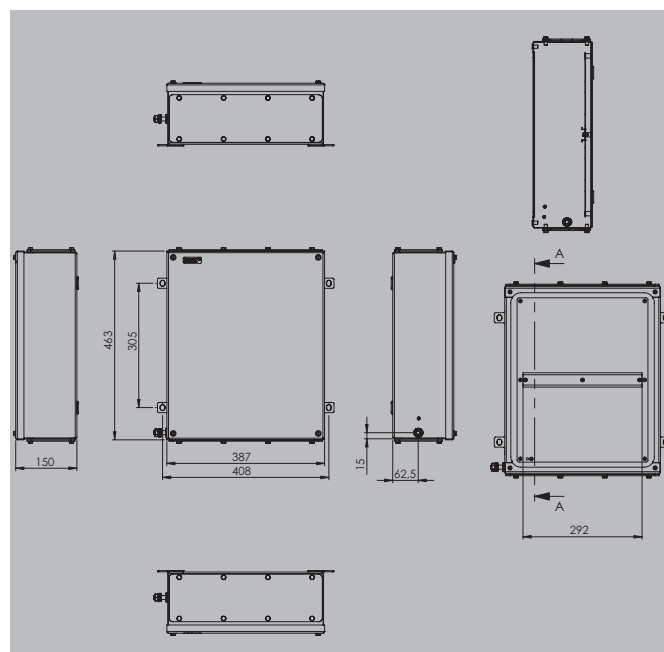
**Technical data**

Article - short description	Enclosures, Height: 350 mm, Width: 260 mm, Depth: 150 mm, Gland plates: Bottom, top, Material: Stainless steel 1.4301 (304), lacquered, silver
Ambient temperature	-60 °C...135 °C
Protection class	IP66, IP67
Standards	EN 61373 1b, EN 45545 HL3, EN 15085 CL2
Impact resistance	10 J version standard
<b>Assembly</b>	
Fuse holder available	No
HV 4000	1x3
Drill holes side A	none
Drill holes side B	none
<b>Technical data, enclosure</b>	
Material	Stainless steel 1.4301 (304)
Surface finish	lacquered
Seal material	Silicone
Lid attachment	M6 hex-head slotted screws SW10
Flange plate	Yes

**Note**

## KTB FS 453815 S2N2 TRAINBOX BIG

Depth 150 mm



Height / Width / Depth 458 / 382 / 150 mm

## Ordering data

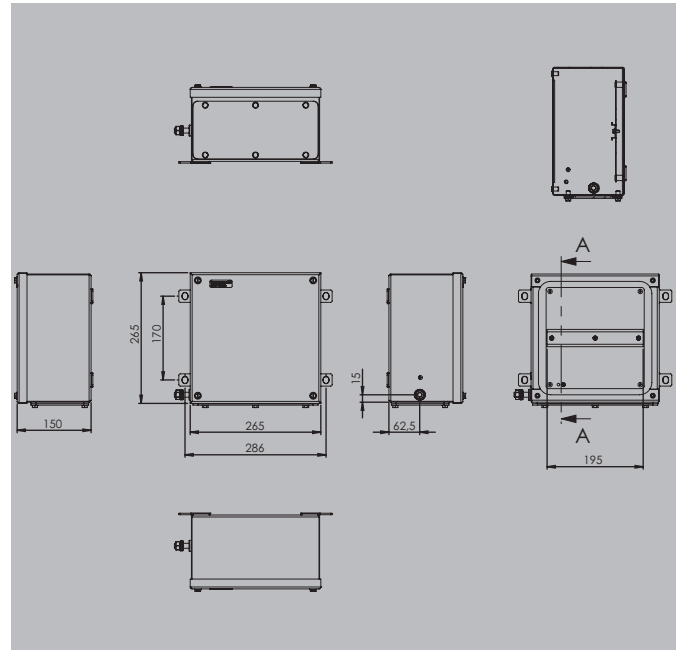
	Order No.
KTB FS 453815 S2N2 TRAINBOX BIG	8000080863

## Note

## Technical data

Article - short description	Enclosures, Height: 458 mm, Width: 382 mm, Depth: 150 mm, Gland plates: Bottom, top, Material: Stainless steel 1.4301 (304), untreated, silver
Ambient temperature	-60 °C...135 °C
Protection class	IP66, IP67
Standards	EN 61373 1b, EN 45545 HL3, EN 15085 CL2
Impact resistance	10 J version standard
<b>Assembly</b>	
Fuse holder available	No
Drill holes side A	none
Drill holes side B	none
<b>Technical data, enclosure</b>	
Material	Stainless steel 1.4301 (304)
Surface finish	untreated
Seal material	Silicone
Lid attachment	M6 hex-head slotted screws SW10
Flange plate	Yes

## Note



Height / Width / Depth 260 / 260 / 150 mm

**Ordering data**

	Order No.
KTB FS 262615 S2B1 TRACKBOX SMALL	8000080480
<b>Note</b>	

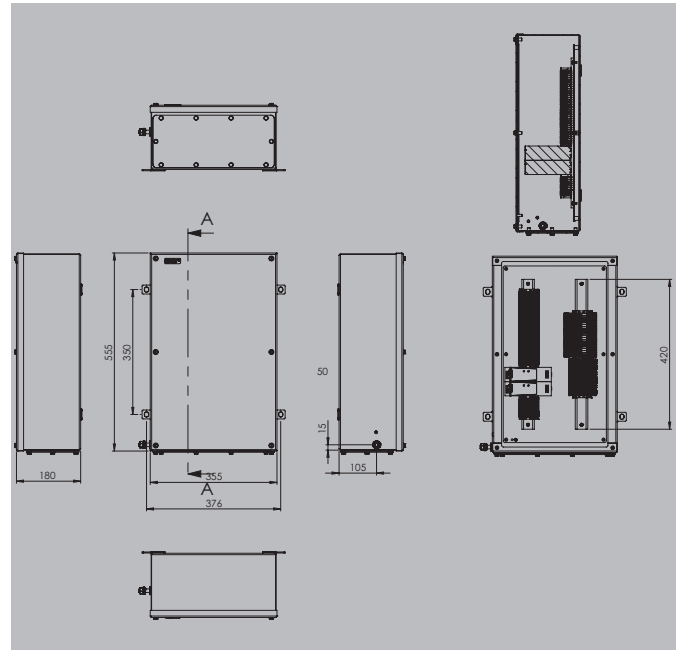
**Technical data**

Article - short description	Enclosures, Height: 260 mm, Width: 260 mm, Depth: 150 mm, Gland plates: Bottom, Material: Stainless steel 1.4301 (304), Brushed, silver
Ambient temperature	-60 °C...135 °C
Protection class	IP66, IP67
Standards	EN 60068 ≤1m from the track, EN 45545 HL3
Impact resistance	10 J version standard
<b>Assembly</b>	
Fuse holder available	No
Drill holes side A	none
Drill holes side B	none
<b>Technical data, enclosure</b>	
Material	Stainless steel 1.4301 (304)
Surface finish	Brushed
Seal material	Silicone
Lid attachment	M6 hex-head slotted screws SW10
Flange plate	Yes

**Note**

**KTB FS 553518 S2B1 TRACKBOX EQP**

**Depth 180 mm**



Height / Width / Depth 550 / 350 / 180 mm

**Ordering data**

	Order No.
KTB FS 553518 S2B1 TRACKBOX EQP	<b>8000080481</b>

**Note**

**Technical data**

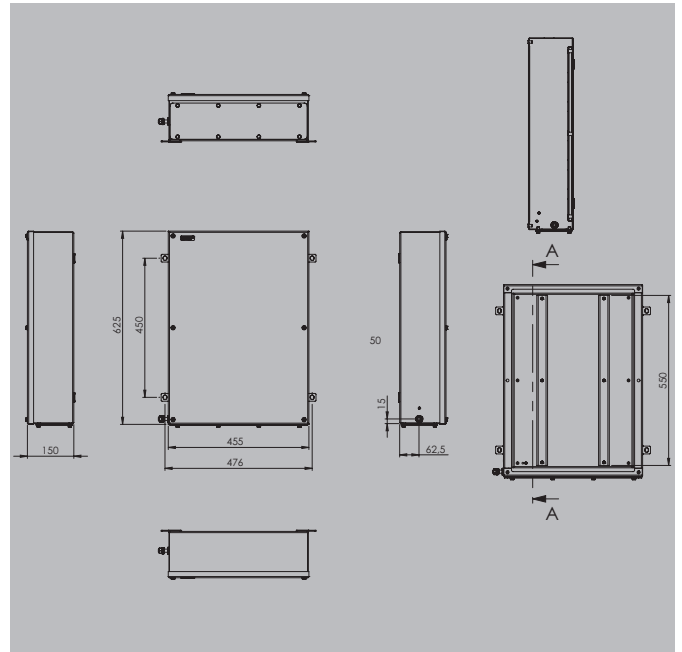
Article - short description	Enclosures, Height: 550 mm, Width: 350 mm, Depth: 180 mm, Gland plates: Bottom, Material: Stainless steel 1.4301 (304), Brushed, silver
Ambient temperature	-60 °C...135 °C
Protection class	IP66, IP67
Standards	EN 60068 ≤1m from the track, EN 45545 HL3
Impact resistance	10 J version standard
<b>Assembly</b>	
Fuse holder available	No
Electronic components	PRO MAX 120W 24V 5A, ADT 2.5 2C, MCZ OVP CL 24VDC 0,5A
Drill holes side A	none
Drill holes side B	none
<b>Technical data, enclosure</b>	
Material	Stainless steel 1.4301 (304)
Surface finish	Brushed
Seal material	Silicone
Lid attachment	M6 hex-head slotted screws SW10
Flange plate	Yes

**Reference products**

	Order No.
PRO MAX 120W 24V 5A	<b>1478110000</b>
ADT 2.5 2C	<b>1989800000</b>
MCZ OVP CL 24VDC 0,5A	<b>8448920000</b>

**Note**

**Note**



Height / Width / Depth 620 / 450 / 150 mm

**Ordering data**

	Order No.
KTB FS 624515 S2B1 TRACKBOX BIG	8000080482
<b>Note</b>	

**Technical data**

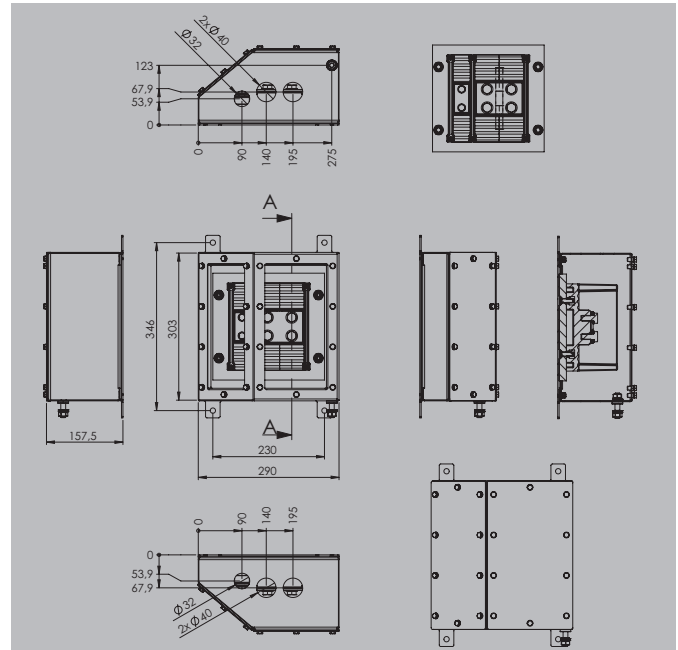
Article - short description	Enclosures, Height: 620 mm, Width: 450 mm, Depth: 150 mm, Gland plates: Bottom, Material: Stainless steel 1.4301 (304), Brushed, silver
Ambient temperature	-60 °C...135 °C
Protection class	IP66, IP67
Standards	EN 60068 ≤1m from the track, EN 45545 HL3
Impact resistance	10 J version standard
<b>Assembly</b>	
Fuse holder available	No
Drill holes side A	none
Drill holes side B	none
<b>Technical data, enclosure</b>	
Material	Stainless steel 1.4301 (304)
Surface finish	Brushed
Seal material	Silicone
Lid attachment	M6 hex-head slotted screws SW10
Flange plate	Yes

**Note**



**KTB FS 302915 S2N2 ANGLED BOX HV**

**Depth 150 mm**



Height / Width / Depth 350 / 260 / 150 mm

**Ordering data**

	Order No.
KTB FS 302915 S2N2 ANGLED BOX EDGE HV	<b>8000092462</b>

**Note**

**Reference products**

	Order No.
HV MUSTERLEISTE M8/M10/M12	<b>8000073249</b>

**Note**

**Technical data**

Article - short description	Enclosures, Height: 303 mm, Width: 290 mm, Depth: 157.5 mm, Gland plates: Bottom, top, Material: Stainless steel 1.4301 (304), untreated, silver
Ambient temperature	-60 °C...135 °C
Protection class	IP66, IP67
Standards	EN 61373 1b, EN 45545 HL3, EN 15085 CL2
Impact resistance	10 J version standard
<b>Assembly</b>	
Fuse holder available	No
HV 4000	1x4
Drill holes side A	1x M32, 2x M40
Drill holes side B	1x M32, 2x M40
<b>Technical data, enclosure</b>	
Material	Stainless steel 1.4301 (304)
Surface finish	untreated
Seal material	Silicone
Lid attachment	M6 hex-head slotted screws SW10
Flange plate	Yes

**Note**

# Klippon® TB Large

## Certified control enclosure for industrial and Ex applications

Whether indoors or outdoors: To ensure installation components function reliably over the long term in harsh environments, they must be optimally protected from environmental influences. Our high-size enclosures meet the most stringent requirements and are well-thought-out down to the last detail.

We offer you DCS (Decentralised Control Station) enclosures and terminal boxes for potentially explosive atmospheres or safety-relevant areas in mechanical engineering and the process industry. All products are manufactured from high-quality stainless steel and are available in three standard sizes. They comply with protection classes IP66 and type 4x, are temperature-resistant from -50 °C to +135 °C and meet the global standards ATEX, IECEx and cULus.

### Features:

- Manufactured from corrosion-resistant stainless steel 316L
- In accordance with international standards such as IEC 62208, IECEx, ATEX and cULus
- Extremely temperature-resistant silicone seals
- Stainless steel compression locks with IP66 for soft and secure closing
- Custom manufacture of intermediate sizes possible
- Optional benefits and services, e.g. installation, wiring, testing and certification



**ATEX**



Use our online catalogue to find additional product details, technical information and additional services:

[www.weidmuller.com/klipponlarge](http://www.weidmuller.com/klipponlarge)

### Overview of enclosures

#### Ordering data

Description	Height x width x depth in mm	Order No.
KTBLQL1005030S4B1 LL1	1000 x 500 x 300	2698400000
KTBLQL1258040S4B1 LL1	1250 x 800 x 400	2698420000
KTBLQL15010050S4B1 LL1	1500 x 1000 x 500	2698430000
<b>Note</b>		



**Doorstop** - To prevent the door from being blown closed while performing maintenance work



**Support wheel** - For easy door closing



**Document holder** - Size A4 and made of stainless steel 1.4404 (316L)

## Technical Overview

### Technical data

Enclosure material*	Stainless steel 1.4404 (316L) 1.5 mm
Surface finish	brushed (K240)
IP protection class	IP66 to DIN EN 60529
NEMA protection classes	3, 4x, 12
Gland plates	1 (fixed with M6 hexagonal screws with 10 mm spanner size), optionally without flange plates
Gland plate thickness	3 mm (other thickness are available on request)
Earthing inside	Enclosure base and lid: welded M6 stainless steel earth studs
Earthing outside	Continuous M10 brass earth stud (optionally with stainless-steel earth stud)
Installation mounting	4 or 9 mounting bolts with M8 threaded holes to attach the mounting plate or mounting rail
Enclosure attachment	4 or 6 welded mounting feet with 14 mm holes
Lid opening	Cover opening angle 110°
Cover attachment	Double quarter lock (180° turn lock) with spring loading (180° rotation), compression lock
Impact resistance	7J to IEC 60079-0, IK 09 (10J) to DIN EN 50102
Gasket material	Silicone
Operating temperature range	-50 °C to +135 °C
Torque – lid and gland plate screws	2.5 Nm
<b>Note</b>	* Painted enclosures are available on request. additional properties: doorstop, auxiliary wheel for easy door closing, rain hood , document holder, pad eyes, QL key, door handle, auxiliary frame in the door, seal compression protection

### Approvals for empty enclosures

ATEX certificate	IBExU14ATEX1028 U	EAC	C-DE.HB07.B.00089/20 / C-DE.AQ54.B.00251/19
ATEX marking	II 2G Ex eb IIC Gb II 2D Ex tb IIIC Db	cULus DNV GL	E508186 TAE000013S
IECEX certificate	IECEX IBE 14.0004U		
IECEX marking	Ex eb IIC Gb Ex tb IIIC Db	CCOE INMETRO	In preparation IEx 17.0020U
CCCEX certificate	2020322303002357	AEx	E223792
CCCEX marking	Ex e IIC Gb, Ex tD A21 IP66/67	Miscellaneous	
<b>Note</b>	The Klippon® TB enclosure range can be pre-fitted in our customer specific production department according to your wishes.		

### Approvals for control and distribution box

ATEX certificate	IBExU14ATEX1050	IECEX certificate	IECEX IBE 14.0013
ATEX marking	⊕ II 2G Ex eb IIC/IIB/IIA T6/T5/T4 Gb ⊕ II 1G Ex ia IIC/IIB/IIA T6/T5/T4 Ga ⊕ II 2G Ex eb ia IIC/IIB/IIA T6/T5/T4 Gb ⊕ II 2D Ex tb IIIC T80°C/T95°C/T135°C Db ⊕ II 1D Ex ia IIIC T80°C/T95°C/T135°C Da -60 °C ≤ Ta ≤ +40/+55/+90 °C	IECEX marking	Ex eb IIC/IIB/IIA T6/T5/T4 Gb Ex ia IIC/IIB/IIA T6/T5/T4 Ga Ex eb ia IIC/IIB/IIA T6/T5/T4 Gb Ex tb IIIC T80°C/T95°C/T135°C Db Ex ia IIIC T80°C/T95°C/T135°C Da -60 °C...+40/+55/+90 °C
CCCEX certificate	2020322303002358	INMETRO certificate	IEx 17.0021
CCCEX marking	Ex e IIC/IIB/IIA T6/T5/T4 Gb Ex ia IIC/IIB/IIA T6/T5/T4 Ga Ex e ia IIC/IIB/IIA T6/T5/T4 Gb	INMETRO marking	Ex eb IIC T6/T5/T4 Gb Ex ia IIC T6/T5/T4 Ga Ex eb ia IIC T6/T5/T4 Gb Ex tb IIIC 85°C/100°C/135°C Db IP66/IP67 Ex ia IIIC 85°C/100°C/135°C Da
EAC certificate	C-DE.HB07.B.00089/20	AEx certificate	E223792
EAC marking	1Ex e IIC/IIB/IIA T6/T5/T4 Gb 0Ex ia IIC/IIB/IIA T6/T5/T4 Ga 1Ex e ia IIC/IIB/IIA T6/T5/T4 Gb Ex tb IIIC T80°C/T95°C/T135°C Db Ex ia IIIC T80°C/T95°C/T135°C Da	AEx marking	Class I, Zone 1, AEx e IIC Gb T6..T4 Class I, Zone 2, AEx e IIC Gc T6..T4 Class I Div.2 Group A,B,C,D T6..T4 Class II Div.2 Group F,G Zone 21, AEx tb IIIC Db
KOSHA certificate	16-AV4B0-0245X		
KOSHA marking	Ex eb IIC/IIB/IIA T6/T5/T4 Gb Ex ia IIC/IIB/IIA T6/T5/T4 Ga Ex eb ia IIC/IIB/IIA T6/T5/T4 Gb Ex tb IIIC T80°C/T95°C/T135°C Db Ex ia IIIC T80°C/T95°C/T135°C Da -60 °C...+40/+55/+90 °C		
<b>Note</b>	Labelling depends on the application layout. For information about power loss, please contact your Weidmüller contact person. Additional approvals available on request.		

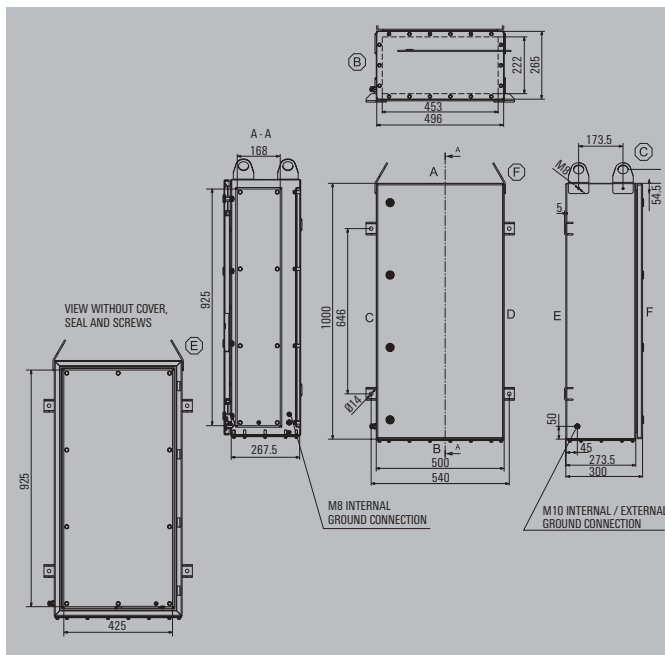
KTBLQL1005030S4B1 LL1

Depth 300 mm



KTBLQL1258040S4B1 LL1

Depth 400 mm



Height / Width / Depth 1000 / 500 / 300 mm

Ordering data

Stainless steel 1.4404 316L, electropolished	Order No.
1 gland plate - positioned at the bottom (B)	<b>2698400000</b>

Note

Guide value for max. number of cable entries

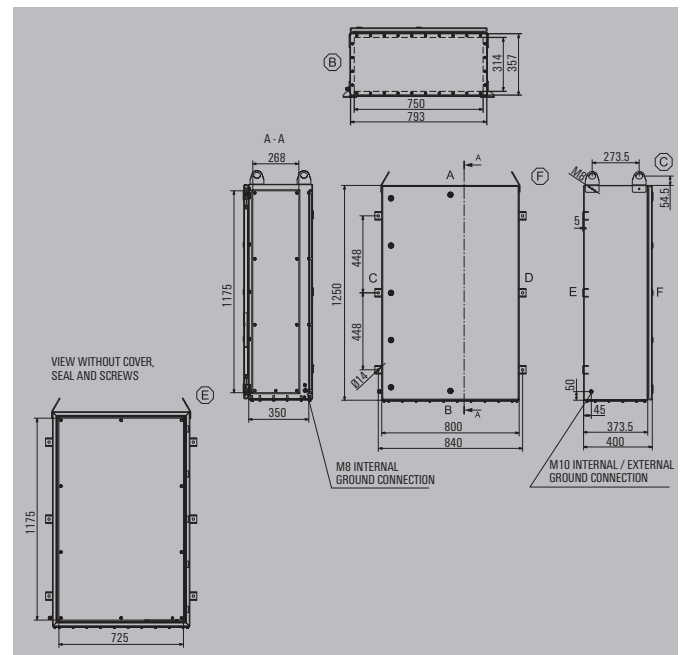
Cable entries	A / B
M12	220
M16	149
M20	116
M25	84
M32	50
M40	36
M50	28
M63	18
M75	10

Note

Accessories

Rain hoods	Order No.
Stainless steel 1.4404, electro-polished	<b>2698520000</b>

Note



Height / Width / Depth 1250 / 800 / 400 mm

Ordering data

Stainless steel 1.4404 316L, electropolished	Order No.
1 gland plate - positioned at the bottom (B)	<b>2698420000</b>

Note

Guide value for max. number of cable entries

Cable entries	A / B
M12	536
M16	364
M20	270
M25	205
M32	136
M40	102
M50	60
M63	40
M75	32

Note

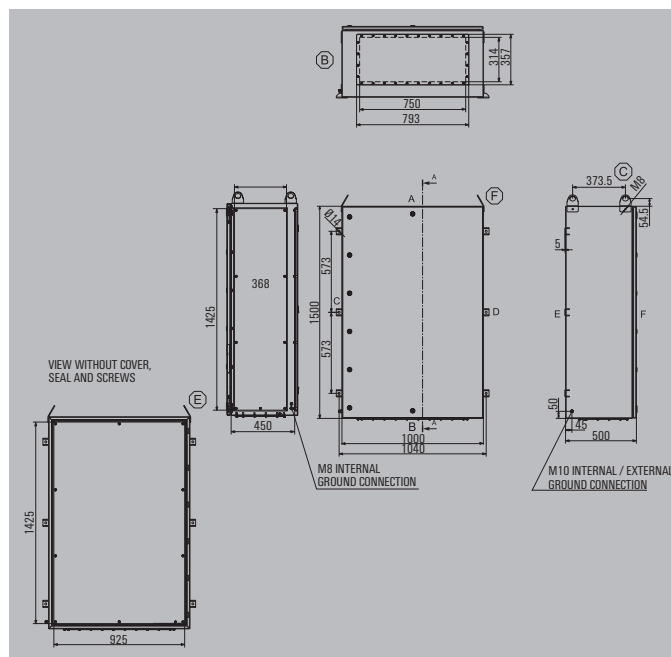
Accessories

Rain hoods	Order No.
Stainless steel 1.4404, electro-polished	<b>2698530000</b>

Note

KTBLQL15010050S4B1 LL1

Depth 500 mm



1500 / 1000 / 500 mm

**Ordering data**

Stainless steel 1.4404 316L, electropolished	Order No.
1 gland plate - positioned at the bottom (B)	<b>2698430000</b>

**Note**

**Guide value for max. number of cable entries**

Cable entries	A / B
M12	536
M16	364
M20	270
M25	205
M32	136
M40	102
M50	60
M63	40
M75	32



**Note**

**Accessories**

Rain hoods	Order No.
Stainless steel 1.4404, electro-polished	<b>2698540000</b>

**Note**

# Klippon® EBx – Integrate, expand, and customise: The perfect supplement to every application

The fully structured range of system accessories for the Klippon® EBx enclosure range allows you to easily adapt the enclosure to meet the specific requirements of every application.

The following options are available:

## 1 Document holder

Document holders for storage of important documents in the enclosure.

## 2 Earthing studs

Earthing studs are replaceable. Available in two versions – brass and stainless steel.

## 3 Gland plates

Flange plates in two thicknesses designed for easy on -replacement.

## 4 Mounting plates

Mounting plates with and without a drilling pattern, for horizontal and vertical mounting of rails, or components fitted directly.

## 5 Mounting hardware kits

Mounting hardware kits are available for quick and easy installation of label holders, mounting plates, gland plates, document holders, and rain hoods.

## 6 Type label holder

A range of nameplate holders are available for the prominent display of required and additional nameplates.

## 7 Rain hoods

The rain hood provides an ideal, additional level of protection for the enclosure. Particularly useful against heavy rainfall or extreme levels of direct sunlight.

## 8 Viewing window in the enclosure cover

Viewing window in the enclosure cover for the easy monitoring of active components or operating status.

## 9 EMC optimisation

For the improved electromagnetic shielding of sensitive components, we offer individual EMC optimisations, e.g. special EMC gaskets.

## 10 Laboratory tests

Thanks to our accredited laboratory, we can carry further customised tests and approvals.



# Klippon® EBx – Hinged Screws

## The practical box for potentially explosive atmospheres

Profitability also plays a major role in potentially explosive atmospheres in the process industry. For this reason, we have added the Klippon® EBx series to our portfolio of stainless steel enclosures for the process industry. Compared to our premium Klippon® TB series, we have simplified the design and concentrated on the essentials. Optimising development and production processes has allowed us to reduce the complexity and number of variants of this enclosure series, thereby achieving significantly accelerated throughput times.

The Klippon® EBx is the perfect choice for all projects where high efficiency is required. We can produce these enclosures efficiently in large batch sizes, which enables us to lower the price to a particularly attractive level. In addition, we supplement our products in this series with competent project management and technical support.

**Features:**

- Available in 11 HS variants with hinged screws
- Seal compression protection
- Integrated dust and moisture channel
- High temperature resistance
- Impermeability according to IP66
- International approvals



Use our online catalogue to find additional product details, technical information and additional services:

[www.weidmuller.com/klipponebx](http://www.weidmuller.com/klipponebx)

### Overview of enclosures Klippon® EBx

#### Ordering data – HS variants

Description	Height x width x depth in mm	1 Gland Plate (below)
KEBxHS202015S4B1 AK	200 x 200 x 150	8000071017
KEBxHS303015S4B1 AK	300 x 300 x 150	8000071018
KEBxHS303020S4B1 AK	300 x 300 x 200	8000071019
KEBxHS404020S4B1 AK	400 x 300 x 200	8000071020
KEBxHS404020S4B1 AK	400 x 400 x 200	8000071021
KEBxHS406020S4B1 AK	400 x 600 x 200	8000071022
KEBxHS504020S4B1 AK	500 x 400 x 200	8000071023
KEBxHS505020S4B1 AK	500 x 500 x 200	8000071024
KEBxHS506020S4B1 AK	500 x 600 x 200	8000071026
KEBxHS604020S4B1 AK	600 x 400 x 200	8000071029
KEBxHS806020S4B1 AK	800 x 600 x 200	8000071030

**Note:** Variants without gland plate on request



## Technical Overview

### Technical data

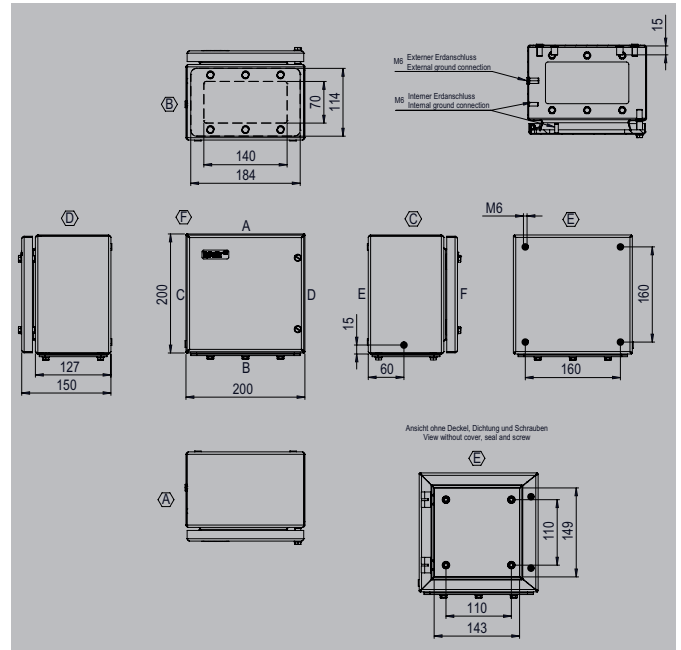
Enclosure material	Stainless steel 1.4404 (316L) 1.5 mm
Surface finish	brushed (K240)
Gasket material	Silicone
Gland plates	1 (fixed with M6 hexagonal screws with 10 mm spanner size), optionally without flange plates
Gland plate thickness	3 mm
Earthing inside	welded M6 stainless steel earth stud in enclosure base and cover
Earthing outside	External earthing position - suitable for M6 screw (as accessory: M10 earth stud)
Installation mounting	4 or 9 mounting bolts with M6 threaded holes to attach the mounting plate or mounting rail
Enclosure attachment	4 additional external mounting lugs
Lid opening	Hinge with screw plug (HS - hinged screws)
Cover attachment	M6 hexagonal screws (AF 10) with slot
Impact resistance	7 J to IEC 60079-0, IK 09 (10J) to DIN EN 50102
IP protection class	IP66
Operating temperature range	-55 °C to +135 °C
Torque - lid and gland plate screws	2.5 Nm
<b>Note</b>	

### Approvals for empty enclosures

ATEX certificate	IBExU 21ATEX1016 U	EAC	In preparation
ATEX marking	II 2G Ex eb IIC Gb	cULus	In preparation
	II 2D Ex tb IIIC Db	UK CA	In preparation
IECEx certificate	IECEx IBE 21.0006U	INMETRO	In preparation
IECEx marking	Ex eb IIC Gb		
	Ex tb IIIC Db		
<b>Note</b>			

### Approvals for control and distribution box

ATEX certificate	IBExU 21ATEX1017 X	IECEx certificate	IECEx IBE 21.0012X
ATEX marking	⊕ II 2G Ex eb IIC or IIB or IIA T6...T4 Gb	IECEx marking	Ex eb IIC or IIB or IIA T6...T4 Gb
	⊕ II 2(1)G Ex eb ia IIC or IIB or IIA T6...T4 Gb		Ex ia IIC or IIB or IIA T6...T4 Ga
	⊕ II 1G Ex ia IIC or IIB or IIA T6...T Ga		Ex eb ia IIC or IIB or IIA T6...T4 Gb
	⊕ II 1D Ex ia IIIC T80°C...T135°C Da		Ex ia IIIC T80°C...T135°C Da
	⊕ II 2D Ex tb IIIC T80°C...T135°C Db		Ex tb IIIC T80°C...T135°C Db
	-55°C ≤ Tamb ≤ +40°C...+90°C		
<b>Note</b>			



Height / Width / Depth 200 / 200 / 150 mm

**Ordering data**

Stainless steel 1.4404 316L, brushed	Order No.
1 gland plate - positioned at the bottom (B)	8000071017

**Note**

**Accessories**

Mounting plates and fastening screws	Order No.
Steel sheet, zinc plated	8000074117
With hole pattern, natural stainless steel 1.4301	8000074314
Fastening screws for mounting plates	2704960000
Fastening screws for terminal rails*	1274150000
<b>Mounting foot</b>	<b>2660200318</b>
<b>Screwdriver</b>	<b>2749640000</b>
Standard	

**Guide value for max. number of terminals (industry)**

Assembly with terminal	vertical	horizontal
2.5 mm <sup>2</sup>	1x22	1x22
4 mm <sup>2</sup>	1x18	1x18
6 mm <sup>2</sup>	1x13	1x13
10 mm <sup>2</sup>	1x10	1x10
16 mm <sup>2</sup>	1x8	1x8
35 mm <sup>2</sup>	1x6	1x6

**Note** When mounting modular terminals please leave a distance of 10 mm to the ends of the DIN rail. Ordering recommendations: TS 35 Mounting rail with clamping yoke technology WDU, spring-cage terminal ZDU or PUSH IN technology AZC TS 32 Mounting rail with clamping yoke technology SAK TS 15 Mounting rail with clamping yoke technology AKZ Order information for terminal blocks, please refer to online catalogue

**Guide value for max. number of cable entries**

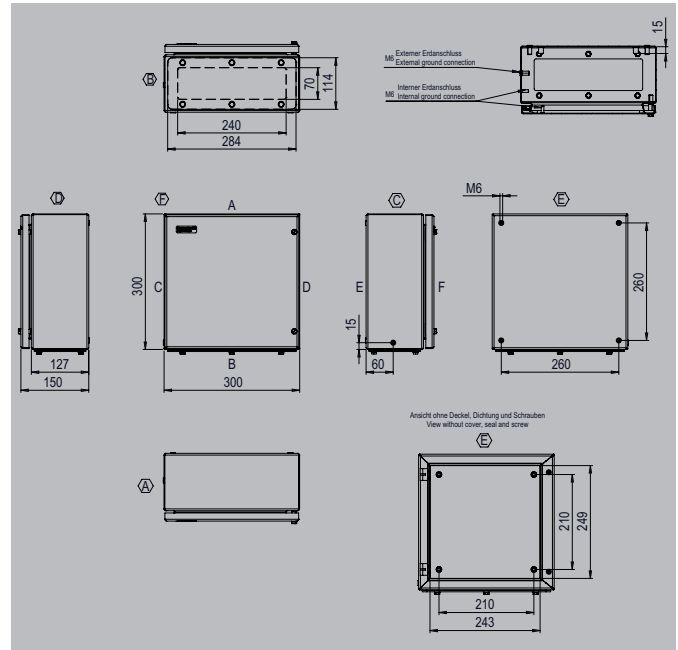
Cable entries	A / B	C / D
M12	30	40
M16	17	24
M20	8	14
M25	3	7
M32	3	5
M40	2	2
M50		2
M63		
M75		

**Note** Our IP 68 brass cable glands serve as a reference for these recommended values.

**Note** \*Packing unit (PU) = 20 pcs.

KEBXHS303015S4B1 AK

Depth 150 mm



Height / Width / Depth 300 / 300 / 150 mm

**Ordering data**

Stainless steel 1.4404 316L, brushed	Order No.
1 gland plate - positioned at the bottom (B)	<b>8000071018</b>

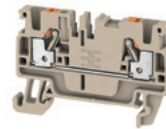
**Note**

**Accessories**

<b>Mounting plates and fastening screws</b>	Order No.
Steel sheet, zinc plated	<b>8000074171</b>
With hole pattern, natural stainless steel 1.4301	<b>8000074316</b>
Fastening screws for mounting plates	<b>2704960000</b>
Fastening screws for terminal rails*	<b>1274150000</b>
<b>Mounting foot</b>	<b>2660200318</b>
<b>Screwdriver</b>	Standard <b>2749640000</b>

**Guide value for max. number of terminals (industry)**

Assembly with terminal	vertical	horizontal
2.5 mm <sup>2</sup>	3x41	3x41
4 mm <sup>2</sup>	3x34	3x34
6 mm <sup>2</sup>	3x25	3x25
10 mm <sup>2</sup>	3x20	3x20
16 mm <sup>2</sup>	3x17	3x17
35 mm <sup>2</sup>	3x12	3x12



**Note**

When mounting modular terminals please leave a distance of 10 mm to the ends of the DIN rail. Ordering recommendations: TS 35 Mounting rail with clamping yoke technology WDU, spring-cage terminal ZDU or PUSH IN technology AZC TS 32 Mounting rail with clamping yoke technology SAK TS 15 Mounting rail with clamping yoke technology AKZ Order information for terminal blocks, please refer to online catalogue

**Guide value for max. number of cable entries**

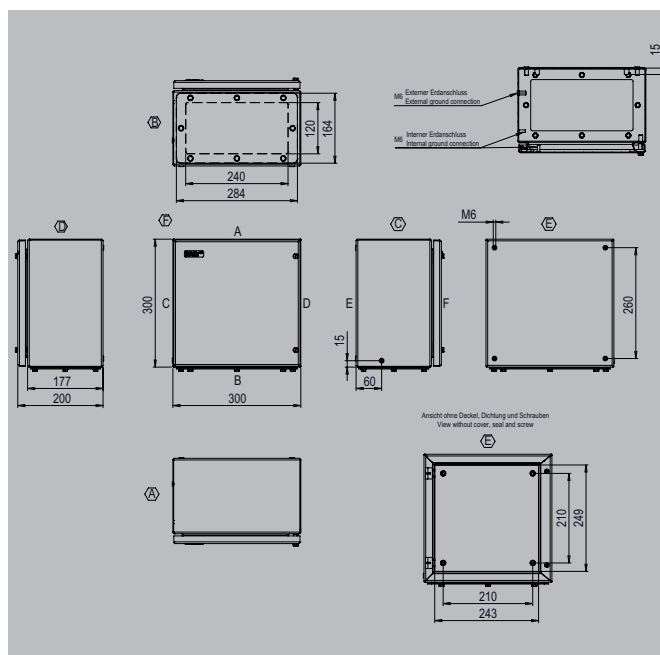
Cable entries	A / B	C / D
M12	54	70
M16	30	42
M20	15	24
M25	6	13
M32	5	10
M40	4	4
M50		3
M63		
M75		



**Note**

Our IP 68 brass cable glands serve as a reference for these recommended values.

**Note** \*Packing unit (PU) = 20 pcs.



Height / Width / Depth 300 / 300 / 200 mm

**Ordering data**

Stainless steel 1.4404 316L, brushed	Order No.
1 gland plate - positioned at the bottom (B)	<b>8000071019</b>

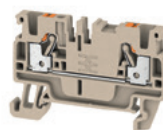
**Note**

**Accessories**

Mounting plates and fastening screws	Order No.
Steel sheet, zinc plated	<b>8000074171</b>
With hole pattern, natural stainless steel 1.4301	<b>8000074316</b>
Fastening screws for mounting plates	<b>2704960000</b>
Fastening screws for terminal rails*	<b>1274150000</b>
<b>Mounting foot</b>	<b>2660200318</b>
<b>Screwdriver</b>	Standard <b>2749640000</b>

**Guide value for max. number of terminals (industry)**

Assembly with terminal	vertical	horizontal
2.5 mm <sup>2</sup>	3x41	3x41
4 mm <sup>2</sup>	3x34	3x34
6 mm <sup>2</sup>	3x25	3x25
10 mm <sup>2</sup>	3x20	3x20
16 mm <sup>2</sup>	3x17	3x17
35 mm <sup>2</sup>	3x12	3x12



**Note** When mounting modular terminals please leave a distance of 10 mm to the ends of the DIN rail. Ordering recommendations: TS 35 Mounting rail with clamping yoke technology WDU, spring-cage terminal ZDU or PUSH IN technology AZC TS 32 Mounting rail with clamping yoke technology SAK TS 15 Mounting rail with clamping yoke technology AKZ Order information for terminal blocks, please refer to online catalogue

**Guide value for max. number of cable entries**

Cable entries	A / B	C / D
M12	95	126
M16	50	63
M20	30	40
M25	18	26
M32	9	15
M40	7	7
M50	3	6
M63	2	2
M75	2	2

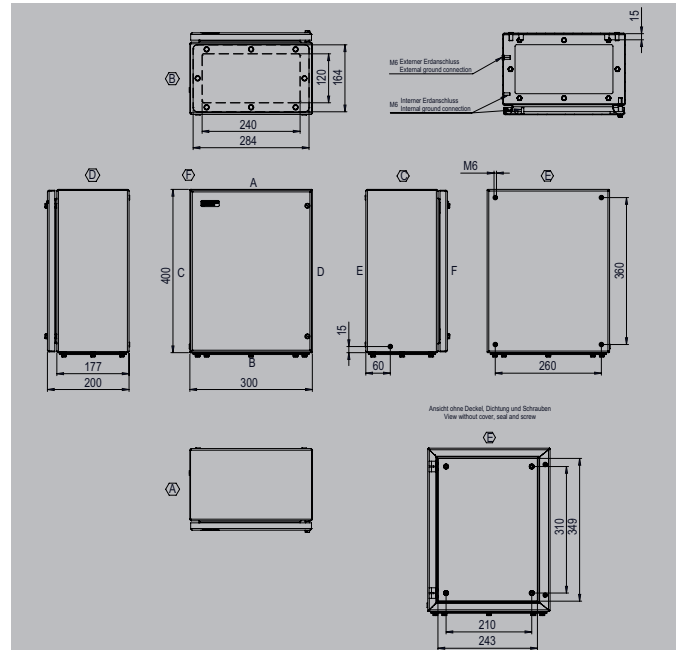


**Note** Our IP 68 brass cable glands serve as a reference for these recommended values.

**Note** \*Packing unit (PU) = 20 pcs.

KEBXHS403020S4B1 AK

Depth 200 mm



Height / Width / Depth 400 / 300 / 200 mm

**Ordering data**

<b>Stainless steel 1.4404 316L, brushed</b>	<b>Order No.</b>
1 gland plate - positioned at the bottom (B)	<b>8000071020</b>

**Note**

**Accessories**

<b>Mounting plates and fastening screws</b>	<b>Order No.</b>
Steel sheet, zinc plated	<b>8000074172</b>
With hole pattern, natural stainless steel 1.4301	<b>8000074318</b>
Fastening screws for mounting plates	<b>2704960000</b>
Fastening screws for terminal rails*	<b>1274150000</b>
<b>Mounting foot</b>	<b>2660200318</b>
<b>Screwdriver</b>	<b>2749640000</b>
Standard	

**Guide value for max. number of terminals (industry)**

Assembly with terminal	vertical	horizontal
2.5 mm <sup>2</sup>	3x61	4x41
4 mm <sup>2</sup>	3x51	4x34
6 mm <sup>2</sup>	3x38	4x25
10 mm <sup>2</sup>	3x30	4x20
16 mm <sup>2</sup>	3x25	4x17
35 mm <sup>2</sup>	3x18	4x12

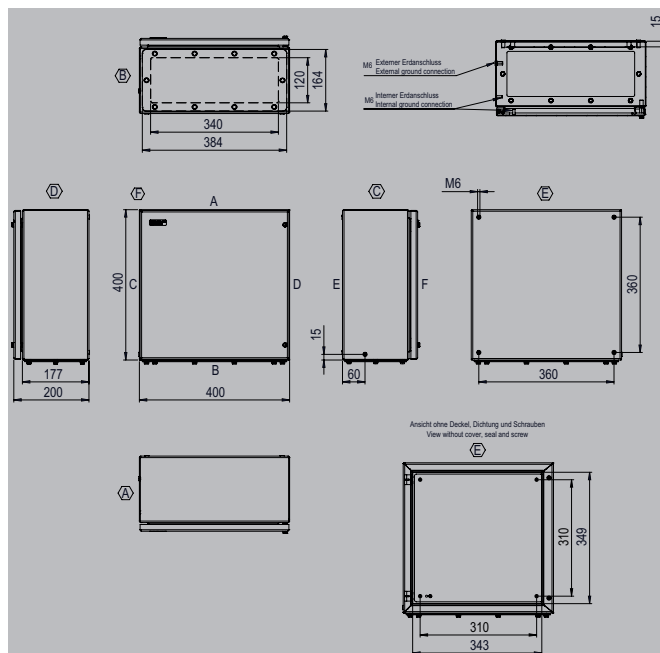
**Note** When mounting modular terminals please leave a distance of 10 mm to the ends of the DIN rail. Ordering recommendations: TS 35 Mounting rail with clamping yoke technology WDU, spring-cage terminal ZDU or PUSH IN technology AZC TS 32 Mounting rail with clamping yoke technology SAK TS 15 Mounting rail with clamping yoke technology AKZ Order information for terminal blocks, please refer to online catalogue

**Guide value for max. number of cable entries**

Cable entries	A / B	C / D
M12	95	180
M16	50	87
M20	30	58
M25	18	36
M32	9	21
M40	7	11
M50	3	8
M63	2	3
M75	2	3

**Note** Our IP 68 brass cable glands serve as a reference for these recommended values.

**Note** \*Packing unit (PU) = 20 pcs.



Height / Width / Depth 400 / 400 / 200 mm

**Ordering data**

Stainless steel 1.4404 316L, brushed	Order No.
1 gland plate - positioned at the bottom (B)	<b>8000071021</b>

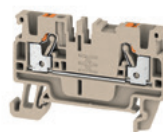
**Note**

**Accessories**

Mounting plates and fastening screws	Order No.
Steel sheet, zinc plated	<b>8000074173</b>
With hole pattern, natural stainless steel 1.4301	<b>8000074319</b>
Fastening screws for mounting plates	<b>2704960000</b>
Fastening screws for terminal rails*	<b>1274150000</b>
<b>Mounting foot</b>	<b>2660200318</b>
<b>Screwdriver</b>	Standard <b>2749640000</b>

**Guide value for max. number of terminals (industry)**

Assembly with terminal	vertical	horizontal
2.5 mm <sup>2</sup>	4x61	4x61
4 mm <sup>2</sup>	4x51	4x51
6 mm <sup>2</sup>	4x38	4x38
10 mm <sup>2</sup>	4x30	4x30
16 mm <sup>2</sup>	4x25	4x25
35 mm <sup>2</sup>	4x18	4x18



**Note** When mounting modular terminals please leave a distance of 10 mm to the ends of the DIN rail. Ordering recommendations: TS 35 Mounting rail with clamping yoke technology WDU, spring-cage terminal ZDU or PUSH IN technology AZC TS 32 Mounting rail with clamping yoke technology SAK TS 15 Mounting rail with clamping yoke technology AKZ Order information for terminal blocks, please refer to online catalogue

**Guide value for max. number of cable entries**

Cable entries	A / B	C / D
M12	137	140
M16	73	87
M20	46	58
M25	27	36
M32	14	21
M40	11	11
M50	4	8
M63	3	3
M75	3	3

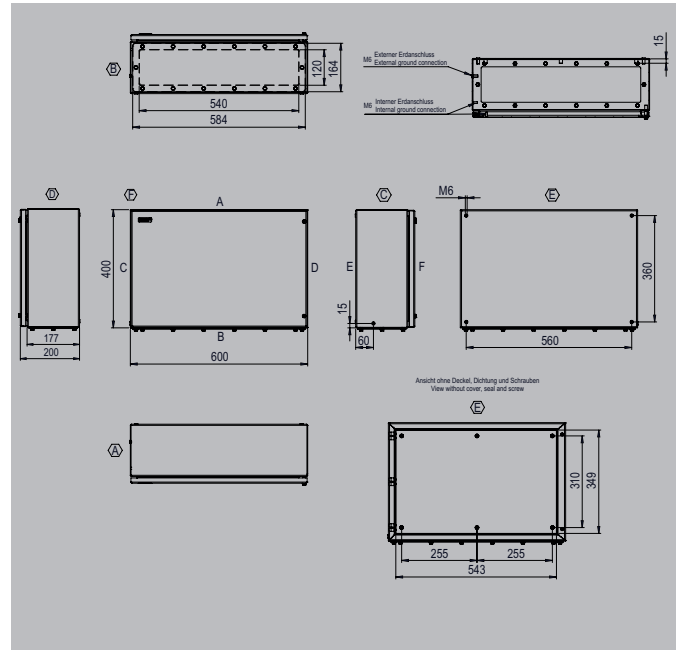


**Note** Our IP 68 brass cable glands serve as a reference for these recommended values.

**Note** \*Packing unit (PU) = 20 pcs.

KEBXHS406020S4B1 AK

Depth 200 mm



Height / Width / Depth 400 / 600 / 200 mm

**Ordering data**

<b>Stainless steel 1.4404 316L, brushed</b>	<b>Order No.</b>
1 gland plate - positioned at the bottom (B)	<b>8000071022</b>

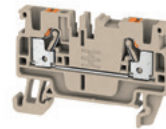
**Note**

**Accessories**

<b>Mounting plates and fastening screws</b>	<b>Order No.</b>
Steel sheet, zinc plated	<b>8000074174</b>
With hole pattern, natural stainless steel 1.4301	<b>8000074320</b>
Fastening screws for mounting plates	<b>2704960000</b>
Fastening screws for terminal rails*	<b>1274150000</b>
<b>Mounting foot</b>	<b>2660200318</b>
<b>Screwdriver</b>	<b>2749640000</b>
Standard	

**Guide value for max. number of terminals (industry)**

Assembly with terminal	vertical	horizontal
2.5 mm <sup>2</sup>	6x61	4x98
4 mm <sup>2</sup>	6x51	4x82
6 mm <sup>2</sup>	6x38	4x61
10 mm <sup>2</sup>	6x30	4x49
16 mm <sup>2</sup>	6x25	4x41
35 mm <sup>2</sup>	6x18	4x30



**Note** When mounting modular terminals please leave a distance of 10 mm to the ends of the DIN rail. Ordering recommendations: TS 35 Mounting rail with clamping yoke technology WDU, spring-cage terminal ZDU or PUSH IN technology AZC TS 32 Mounting rail with clamping yoke technology SAK TS 15 Mounting rail with clamping yoke technology AKZ Order information for terminal blocks, please refer to online catalogue

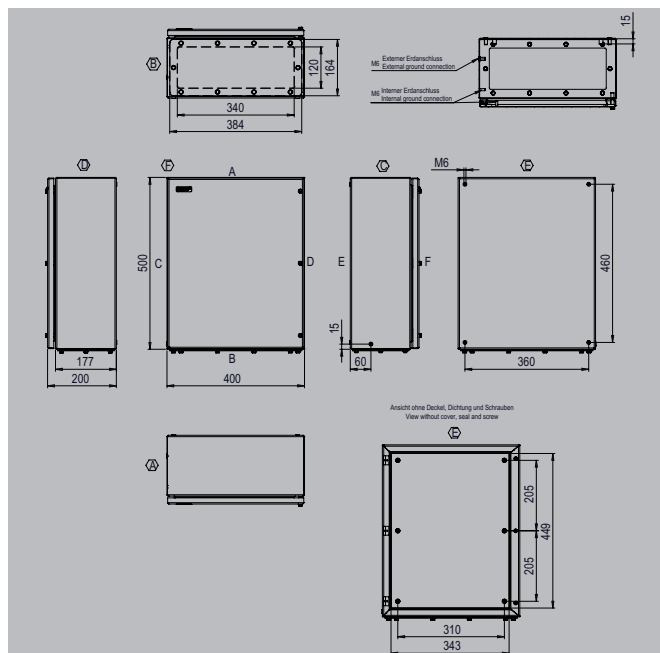
**Guide value for max. number of cable entries**

Cable entries	A / B	C / D
M12	217	180
M16	115	87
M20	74	58
M25	45	36
M32	22	21
M40	18	11
M50	7	8
M63	6	3
M75	5	3



**Note** Our IP 68 brass cable glands serve as a reference for these recommended values.

**Note** \*Packing unit (PU) = 20 pcs.



Height / Width / Depth 500 / 400 / 200 mm

**Ordering data**

Stainless steel 1.4404 316L, brushed	Order No.
1 gland plate - positioned at the bottom (B)	<b>8000071023</b>

**Note**

**Accessories**

<b>Mounting plates and fastening screws</b>	Order No.
Steel sheet, zinc plated	<b>8000074175</b>
With hole pattern, natural stainless steel 1.4301	<b>8000074321</b>
Fastening screws for mounting plates	<b>2704960000</b>
Fastening screws for terminal rails*	<b>1274150000</b>
<b>Mounting foot</b>	<b>2660200318</b>
<b>Screwdriver</b>	Standard <b>2749640000</b>

**Guide value for max. number of terminals (industry)**

Assembly with terminal	vertical	horizontal
2.5 mm <sup>2</sup>	4x80	6x61
4 mm <sup>2</sup>	4x67	6x51
6 mm <sup>2</sup>	4x50	6x38
10 mm <sup>2</sup>	4x40	6x30
16 mm <sup>2</sup>	4x33	6x25
35 mm <sup>2</sup>	4x25	6x18

**Note** When mounting modular terminals please leave a distance of 10 mm to the ends of the DIN rail. Ordering recommendations: TS 35 Mounting rail with clamping yoke technology WDU, spring-cage terminal ZDU or PUSH IN technology AZC TS 32 Mounting rail with clamping yoke technology SAK TS 15 Mounting rail with clamping yoke technology AKZ Order information for terminal blocks, please refer to online catalogue

**Guide value for max. number of cable entries**

Cable entries	A / B	C / D
M12	137	234
M16	73	114
M20	46	75
M25	27	48
M32	14	27
M40	11	14
M50	4	11
M63	3	5
M75	3	4

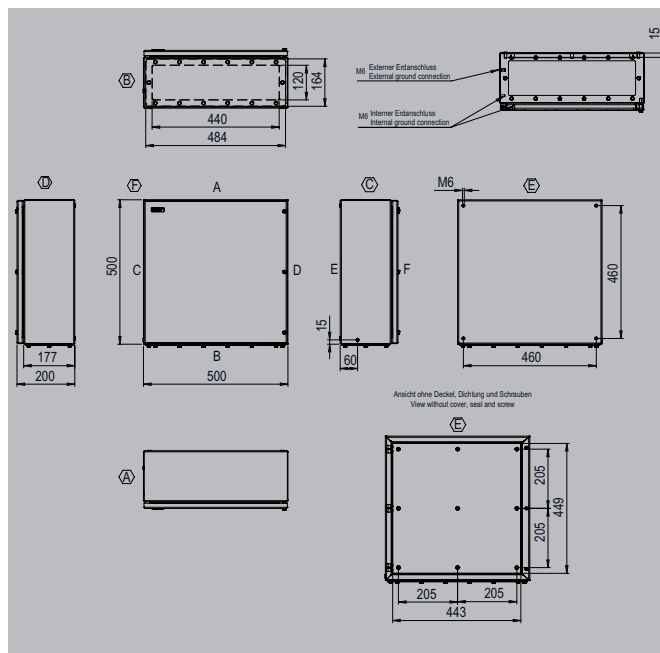
**Note** Our IP 68 brass cable glands serve as a reference for these recommended values.

**Note** \*Packing unit (PU) = 20 pcs.



KEBXHS505020S4B1 AK

Depth 200 mm



Height / Width / Depth 500 / 500 / 200 mm

**Ordering data**

<b>Stainless steel 1.4404 316L, brushed</b>	<b>Order No.</b>
1 gland plate - positioned at the bottom (B)	<b>8000071024</b>

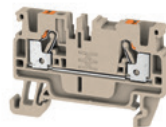
**Note**

**Accessories**

<b>Mounting plates and fastening screws</b>	<b>Order No.</b>
Steel sheet, zinc plated	<b>8000074176</b>
With hole pattern, natural stainless steel 1.4301	<b>8000074322</b>
Fastening screws for mounting plates	<b>2704960000</b>
Fastening screws for terminal rails*	<b>1274150000</b>
<b>Mounting foot</b>	<b>2660200318</b>
<b>Screwdriver</b>	<b>2749640000</b>
Standard	

**Guide value for max. number of terminals (industry)**

Assembly with terminal	vertical	horizontal
2.5 mm <sup>2</sup>	4x80	4x80
4 mm <sup>2</sup>	4x67	4x67
6 mm <sup>2</sup>	4x50	4x50
10 mm <sup>2</sup>	4x40	4x40
16 mm <sup>2</sup>	4x33	4x33
35 mm <sup>2</sup>	4x25	4x25



**Note** When mounting modular terminals please leave a distance of 10 mm to the ends of the DIN rail.  
 Ordering recommendations:  
 TS 35 Mounting rail with clamping yoke technology WDU, spring-cage terminal ZDU or PUSH IN technology AZC  
 TS 32 Mounting rail with clamping yoke technology SAK  
 TS 15 Mounting rail with clamping yoke technology AKZ  
 Order information for terminal blocks, please refer to online catalogue

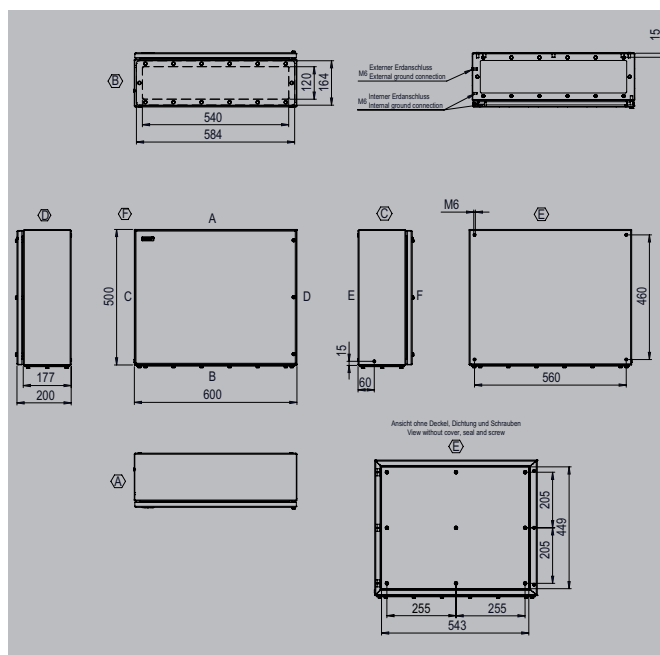
**Guide value for max. number of cable entries**

Cable entries	A / B	C / D
M12	175	234
M16	93	114
M20	60	75
M25	35	48
M32	18	27
M40	14	14
M50	6	11
M63	4	5
M75	4	4



**Note** Our IP 68 brass cable glands serve as a reference for these recommended values.

**Note** \*Packing unit (PU) = 20 pcs.



Height / Width / Depth 500 / 600 / 200 mm

Ordering data

Stainless steel 1.4404 316L, brushed	Order No.
1 gland plate - positioned at the bottom (B)	8000071026

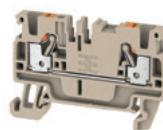
Note

Accessories

<b>Mounting plates and fastening screws</b>	<b>Order No.</b>
Steel sheet, zinc plated	8000074177
With hole pattern, natural stainless steel 1.4301	8000074323
Fastening screws for mounting plates	2704960000
Fastening screws for terminal rails*	1274150000
<b>Mounting foot</b>	<b>2660200318</b>
<b>Screwdriver</b>	<b>Standard 2749640000</b>

Guide value for max. number of terminals (industry)

Assembly with terminal	vertical	horizontal
2.5 mm <sup>2</sup>	6x80	6x98
4 mm <sup>2</sup>	6x67	6x82
6 mm <sup>2</sup>	6x50	6x61
10 mm <sup>2</sup>	6x40	6x49
16 mm <sup>2</sup>	6x33	6x41
35 mm <sup>2</sup>	6x25	6x30



**Note** When mounting modular terminals please leave a distance of 10 mm to the ends of the DIN rail. Ordering recommendations: TS 35 Mounting rail with clamping yoke technology WDU, spring-cage terminal ZDU or PUSH IN technology AZC TS 32 Mounting rail with clamping yoke technology SAK TS 15 Mounting rail with clamping yoke technology AKZ Order information for terminal blocks, please refer to online catalogue

Guide value for max. number of cable entries

Cable entries	A / B	C / D
M12	217	234
M16	115	114
M20	74	75
M25	45	48
M32	22	27
M40	18	14
M50	7	11
M63	6	5
M75	5	4



**Note** Our IP 68 brass cable glands serve as a reference for these recommended values.

**Note** \*Packing unit (PU) = 20 pcs.

KEBXHS604020S4B1 AK

Depth 200 mm



Height / Width / Depth 600 / 400 / 200 mm

**Ordering data**

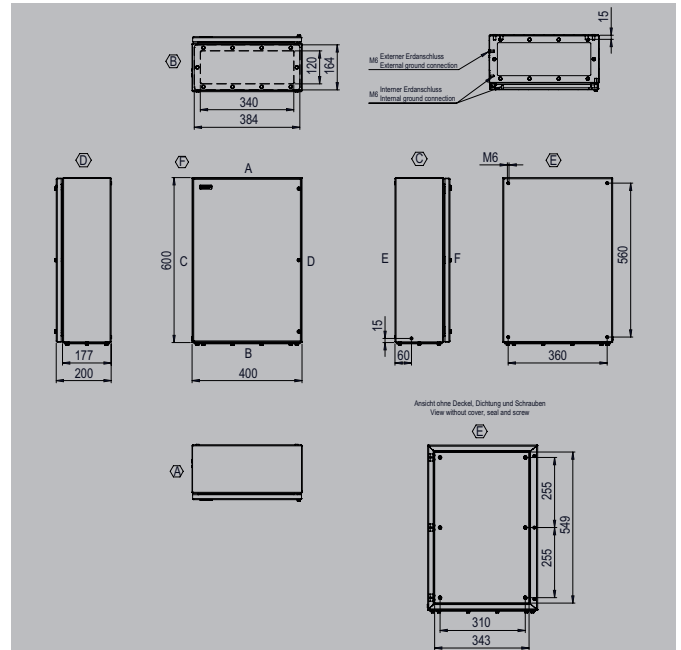
<b>Stainless steel 1.4404 316L, brushed</b>	<b>Order No.</b>
1 gland plate - positioned at the bottom (B)	<b>8000071029</b>

**Note**

**Accessories**

<b>Mounting plates and fastening screws</b>	<b>Order No.</b>
Steel sheet, zinc plated	<b>8000074178</b>
With hole pattern, natural stainless steel 1.4301	<b>8000074324</b>
Fastening screws for mounting plates	<b>2704960000</b>
Fastening screws for terminal rails*	<b>1274150000</b>
<b>Mounting foot</b>	<b>2660200318</b>
<b>Screwdriver</b>	Standard <b>2749640000</b>

**Note** \*Packing unit (PU) = 20 pcs.



**Guide value for max. number of terminals (industry)**

Assembly with terminal	vertical	horizontal
2.5 mm <sup>2</sup>	5x98	8x61
4 mm <sup>2</sup>	5x82	8x51
6 mm <sup>2</sup>	5x61	8x38
10 mm <sup>2</sup>	5x49	8x30
16 mm <sup>2</sup>	5x41	8x25
35 mm <sup>2</sup>	5x30	8x18

**Note** When mounting modular terminals please leave a distance of 10 mm to the ends of the DIN rail. Ordering recommendations: TS 35 Mounting rail with clamping yoke technology WDU, spring-cage terminal ZDU or PUSH IN technology AZC TS 32 Mounting rail with clamping yoke technology SAK TS 15 Mounting rail with clamping yoke technology AKZ Order information for terminal blocks, please refer to online catalogue

**Guide value for max. number of cable entries**

Cable entries	A / B	C / D
M12	137	180
M16	73	87
M20	46	58
M25	27	36
M32	14	21
M40	11	11
M50	4	8
M63	3	3
M75	3	3

**Note** Our IP 68 brass cable glands serve as a reference for these recommended values.



800 / 600 / 200 mm

**Ordering data**

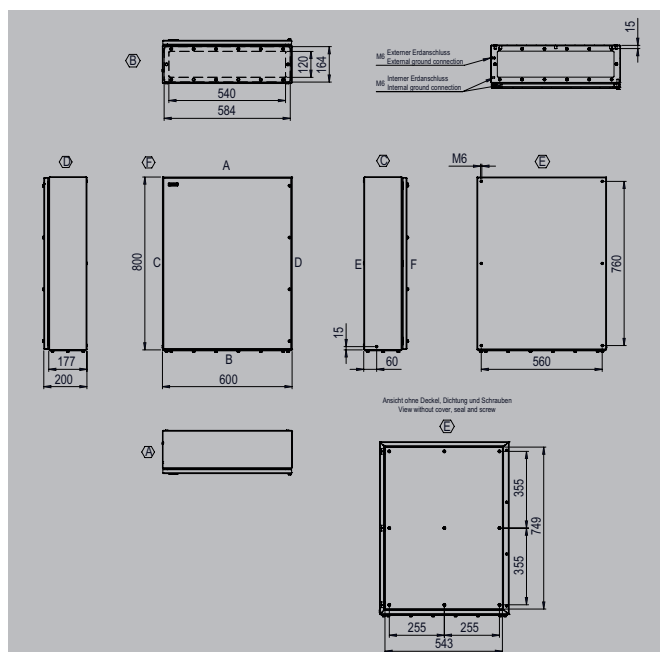
Stainless steel 1.4404 316L, brushed	Order No.
1 gland plate - positioned at the bottom (B)	<b>8000071030</b>

**Note**

**Accessories**

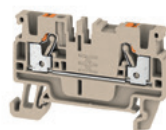
Mounting plates and fastening screws	Order No.
Steel sheet, zinc plated	<b>8000074179</b>
With hole pattern, natural stainless steel 1.4301	<b>8000074325</b>
Fastening screws for mounting plates	<b>2704960000</b>
Fastening screws for terminal rails*	<b>1274150000</b>
<b>Mounting foot</b>	<b>2660200318</b>
<b>Screwdriver</b>	Standard <b>2749640000</b>

**Note** \*Packing unit (PU) = 20 pcs.



**Guide value for max. number of terminals (industry)**

Assembly with terminal	vertical	horizontal
2.5 mm <sup>2</sup>	6x138	8x98
4 mm <sup>2</sup>	6x115	8x82
6 mm <sup>2</sup>	6x86	8x61
10 mm <sup>2</sup>	6x69	8x49
16 mm <sup>2</sup>	6x58	8x41
35 mm <sup>2</sup>	6x43	8x30



**Note** When mounting modular terminals please leave a distance of 10 mm to the ends of the DIN rail. Ordering recommendations: TS 35 Mounting rail with clamping yoke technology WDU, spring-cage terminal ZDU or PUSH IN technology AZC TS 32 Mounting rail with clamping yoke technology SAK TS 15 Mounting rail with clamping yoke technology AKZ Order information for terminal blocks, please refer to online catalogue

**Guide value for max. number of cable entries**

Cable entries	A / B	C / D
M12	217	392
M16	115	195
M20	74	130
M25	44	82
M32	22	48
M40	18	25
M50	7	20
M63	6	8
M75	5	7



**Note** Our IP 68 brass cable glands serve as a reference for these recommended values.



# Klippon® EBx – Quarter Lock

## The practical box for potentially explosive atmospheres

Profitability also plays a major role in potentially explosive atmospheres in the process industry. For this reason, we have added the Klippon® EBx series to our portfolio of stainless steel enclosures for the process industry. Compared to our premium Klippon® TB series, we have simplified the design and concentrated on the essentials. Optimising development and production processes has allowed us to reduce the complexity and number of variants of this enclosure series, thereby achieving significantly accelerated throughput times.

The Klippon® EBx is the perfect choice for all projects where high efficiency is required. We can produce these enclosures efficiently in large batch sizes, which enables us to lower the price to a particularly attractive level. In addition, we supplement our products in this series with competent project management and technical support.

### Features:

- Available in 10 QL variants with quarter lock
- Integrated dust and moisture channel
- High temperature resistance
- Impermeability according to IP66
- International approvals



Use our online catalogue to find additional product details, technical information and additional services:

[www.weidmuller.com/klipponebx](http://www.weidmuller.com/klipponebx)

### Overview of enclosures Klippon® EBx

#### Ordering data – QL variants

Description	Height x width x depth in mm	1 Gland Plate (below)
KEBxQL202020S4B1 AK	200 x 200 x 200	8000071033
KEBxQL303020S4B1 AK	300 x 300 x 200	8000071034
KEBxQL403030S4B1 AK	400 x 300 x 300	8000071035
KEBxQL404030S4B1 AK	400 x 400 x 300	8000071036
KEBxQL406030S4B1 AK	400 x 600 x 300	8000071037
KEBxQL504030S4B1 AK	500 x 400 x 300	8000071038
KEBxQL505030S4B1 AK	500 x 500 x 300	8000071039
KEBxQL506030S4B1 AK	500 x 600 x 300	8000071040
KEBxQL604030S4B1 AK	600 x 400 x 300	8000071042
KEBxQL806030S4B1 AK	800 x 600 x 300	8000071043

**Note:** Variants without gland plate on request

## Technical Overview

### Technical data

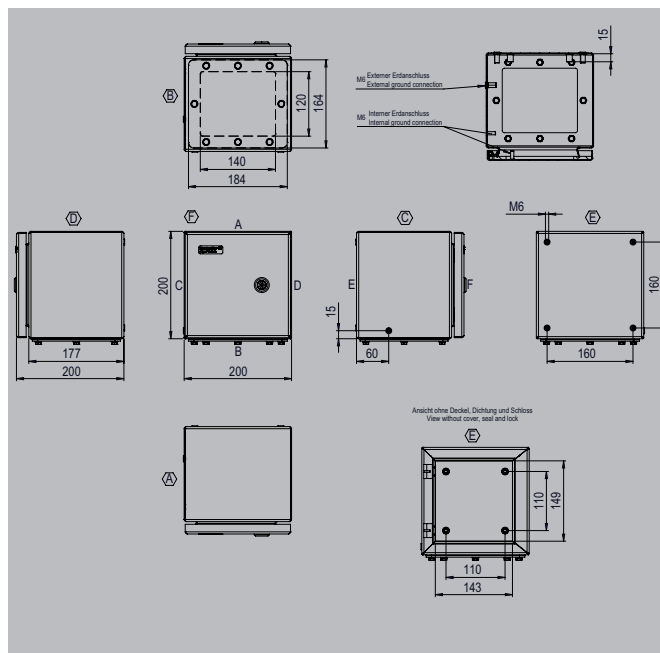
Enclosure material	Stainless steel 1.4404 (316L) 1.5 mm
Surface finish	brushed (K240)
Gasket material	Silicone
Gland plates	1 (fixed with M6 hexagonal screws with 10 mm spanner size), optionally without flange plates
Gland plate thickness	3 mm
Earthing inside	welded M6 stainless steel earth stud in enclosure base and cover
Earthing outside	External earthing position - suitable for M6 screw (as accessory: M10 earth stud)
Installation mounting	4 or 9 mounting bolts with M6 threaded holes to attach the mounting plate or mounting rail
Enclosure attachment	4 additional external mounting lugs
Lid opening	Quarter lock (QL) with double bit (DB3)
Cover attachment	M6 hexagonal screws (AF 10) with slot
Impact resistance	7 J to IEC 60079-0, IK 09 (10J) to DIN EN 50102
IP protection class	IP66
Operating temperature range	-55°C to +135°C
Torque - lid and gland plate screws	2.5 Nm
<b>Note</b>	

### Approvals for empty enclosures

ATEX certificate	IBExU 21ATEX1016 U	EAC	In preparation
ATEX marking	II 2G Ex eb IIC Gb	cULus	In preparation
	II 2D Ex tb IIIC Db	UK CA	In preparation
IECEx certificate	IECEx IBE 21.0006U	INMETRO	In preparation
IECEx marking	Ex eb IIC Gb		
	Ex tb IIIC Db		
<b>Note</b>			

### Approvals for control and distribution box

ATEX certificate	IBExU 21ATEX1017 X	IECEx certificate	IECEx IBE 21.0012X
ATEX marking	⊕ II 2G Ex eb IIC or IIB or IIA T6...T4 Gb	IECEx marking	Ex eb IIC or IIB or IIA T6...T4 Gb
	⊕ II 2(1)G Ex eb ia IIC or IIB or IIA T6...T4 Gb		Ex ia IIC or IIB or IIA T6...T4 Ga
	⊕ II 1G Ex ia IIC or IIB or IIA T6...T Ga		Ex eb ia IIC or IIB or IIA T6...T4 Gb
	⊕ II 1D Ex ia IIIC T80°C...T135°C Da		Ex ia IIIC T80°C...T135°C Da
	⊕ II 2D Ex tb IIIC T80°C...T135°C Db		Ex tb IIIC T80°C...T135°C Db
	-55°C ≤ Tamb ≤ +40°C...+90°C		
<b>Note</b>			



Height / Width / Depth 200 / 200 / 200 mm

**Ordering data**

<b>Stainless steel 1.4404 316L, brushed</b>	<b>Order No.</b>
1 gland plate - positioned at the bottom (B)	<b>8000071033</b>

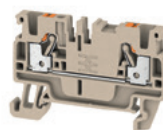
**Note**

**Accessories**

<b>Double-bit key</b>	<b>Order No.</b>
	<b>2473930000</b>
<b>Mounting plates and fastening screws</b>	
Steel sheet, zinc plated	<b>8000074117</b>
With hole pattern, natural stainless steel 1.4301	<b>8000074314</b>
Fastening screws for terminal rails*	<b>1274150000</b>
Fastening screws for mounting plates	<b>2704960000</b>
<b>Mounting foot</b>	<b>2660200318</b>

**Guide value for max. number of terminals (industry)**

Assembly with terminal	vertical	horizontal
2.5 mm <sup>2</sup>	1x22	1x22
4 mm <sup>2</sup>	1x18	1x18
6 mm <sup>2</sup>	1x13	1x13
10 mm <sup>2</sup>	1x10	1x10
16 mm <sup>2</sup>	1x8	1x8
35 mm <sup>2</sup>	1x6	1x6



**Note** When mounting modular terminals please leave a distance of 10 mm to the ends of the DIN rail. Ordering recommendations: TS 35 Mounting rail with clamping yoke technology WDU, spring-cage terminal ZDU or PUSH IN technology AZC TS 32 Mounting rail with clamping yoke technology SAK TS 15 Mounting rail with clamping yoke technology AKZ Order information for terminal blocks, please refer to online catalogue

**Guide value for max. number of cable entries**

Cable entries	A / B	C / D
M12	53	72
M16	28	36
M20	16	23
M25	9	14
M32	5	8
M40	3	4
M50	1	5
M63	1	1
M75	1	1



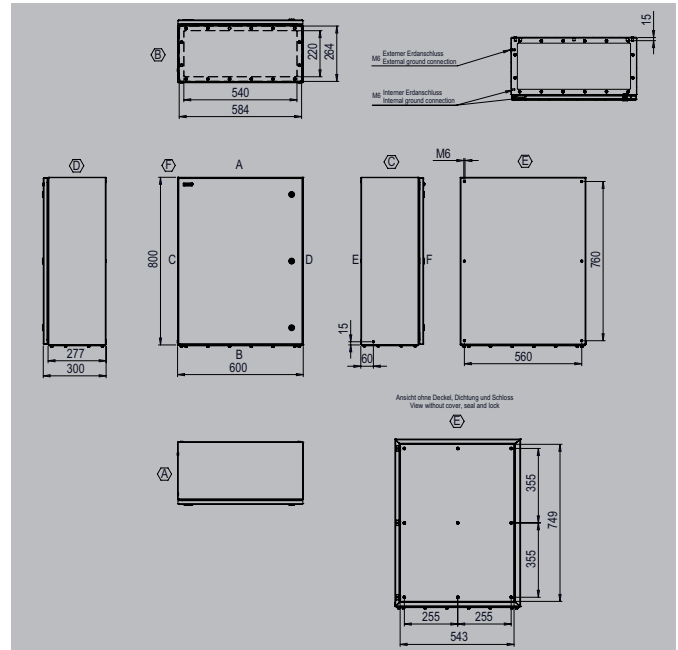
**Note** Our IP 68 brass cable glands serve as a reference for these recommended values.

**Note** \*Packing unit (PU) = 20 pcs.



KEBXQL303020S4B1 AK

Depth 200 mm



Height / Width / Depth 300 / 300 / 200 mm

**Ordering data**

Stainless steel 1.4404 316L, brushed	Order No.
1 gland plate - positioned at the bottom (B)	8000071034

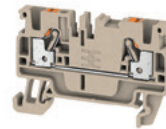
**Note**

**Accessories**

Double-bit key	Order No.
	2473930000
<b>Mounting plates and fastening screws</b>	
Steel sheet, zinc plated	8000074171
With hole pattern, natural stainless steel 1.4301	8000074316
Fastening screws for terminal rails*	1274150000
Fastening screws for mounting plates	2704960000
Mounting foot	2660200318

**Guide value for max. number of terminals (industry)**

Assembly with terminal	vertical	horizontal
2.5 mm <sup>2</sup>	3x41	3x41
4 mm <sup>2</sup>	3x34	3x34
6 mm <sup>2</sup>	3x25	3x25
10 mm <sup>2</sup>	3x20	3x20
16 mm <sup>2</sup>	3x17	3x17
35 mm <sup>2</sup>	3x12	3x12



**Note** When mounting modular terminals please leave a distance of 10 mm to the ends of the DIN rail. Ordering recommendations: TS 35 Mounting rail with clamping yoke technology WDU, spring-cage terminal ZDU or PUSH IN technology AZC TS 32 Mounting rail with clamping yoke technology SAK TS 15 Mounting rail with clamping yoke technology AKZ Order information for terminal blocks, please refer to online catalogue

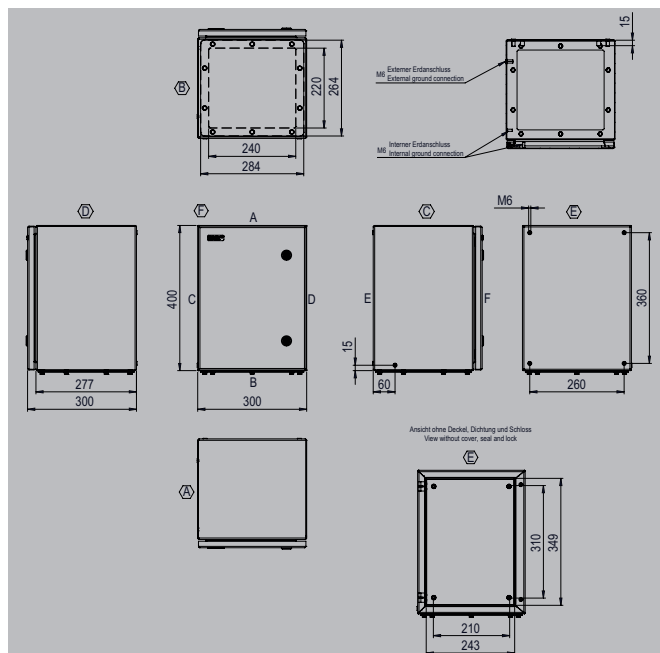
**Guide value for max. number of cable entries**

Cable entries	A / B	C / D
M12	95	126
M16	50	63
M20	30	40
M25	18	26
M32	9	15
M40	7	7
M50	3	9
M63	2	2
M75	2	2



**Note** Our IP 68 brass cable glands serve as a reference for these recommended values.

**Note** \*Packing unit (PU) = 20 pcs.



Height / Width / Depth 400 / 300 / 300 mm

**Ordering data**

<b>Stainless steel 1.4404 316L, brushed</b>	<b>Order No.</b>
1 gland plate - positioned at the bottom (B)	<b>8000071035</b>

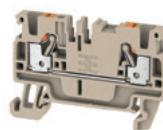
**Note**

**Accessories**

<b>Double-bit key</b>	<b>Order No.</b>
	<b>2473930000</b>
<b>Mounting plates and fastening screws</b>	
Steel sheet, zinc plated	<b>8000074172</b>
With hole pattern, natural stainless steel 1.4301	<b>8000074318</b>
Fastening screws for terminal rails*	<b>1274150000</b>
Fastening screws for mounting plates	<b>2704960000</b>
<b>Mounting foot</b>	<b>2660200318</b>

**Guide value for max. number of terminals (industry)**

Assembly with terminal	vertical	horizontal
2.5 mm <sup>2</sup>	3x61	4x41
4 mm <sup>2</sup>	3x51	4x34
6 mm <sup>2</sup>	3x38	4x25
10 mm <sup>2</sup>	3x30	4x20
16 mm <sup>2</sup>	3x25	4x17
35 mm <sup>2</sup>	3x18	4x12



**Note** When mounting modular terminals please leave a distance of 10 mm to the ends of the DIN rail.  
 Ordering recommendations:  
 TS 35 Mounting rail with clamping yoke technology WDU, spring-cage terminal ZDU or PUSH IN technology AZC  
 TS 32 Mounting rail with clamping yoke technology SAK  
 TS 15 Mounting rail with clamping yoke technology AKZ  
 Order information for terminal blocks, please refer to online catalogue

**Guide value for max. number of cable entries**

Cable entries	A / B	C / D
M12	189	300
M16	100	160
M20	60	104
M25	36	63
M32	23	35
M40	14	22
M50	8	12
M63	4	6
M75	3	5



**Note** Our IP 68 brass cable glands serve as a reference for these recommended values.

**Note** \*Packing unit (PU) = 20 pcs.

KEBXQL404030S4B1 AK

Depth 300 mm



Height / Width / Depth 400 / 400 / 300 mm

**Ordering data**

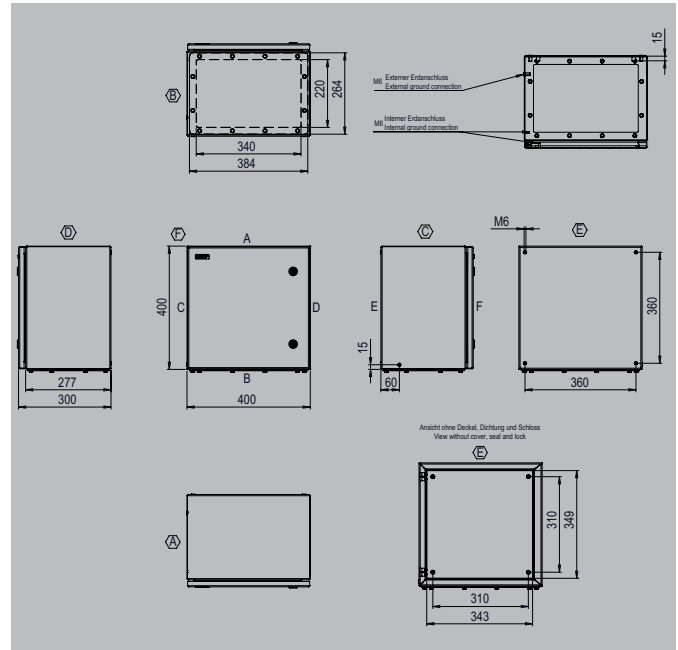
Stainless steel 1.4404 316L, brushed	Order No.
1 gland plate - positioned at the bottom (B)	<b>8000071036</b>

**Note**

**Accessories**

Double-bit key	Order No.
	<b>2473930000</b>
<b>Mounting plates and fastening screws</b>	
Steel sheet, zinc plated	<b>8000074173</b>
With hole pattern, natural stainless steel 1.4301	<b>8000074319</b>
Fastening screws for terminal rails*	<b>1274150000</b>
Fastening screws for mounting plates	<b>2704960000</b>
Mounting foot	<b>2660200318</b>

**Note** \*Packing unit (PU) = 20 pcs.



**Guide value for max. number of terminals (industry)**

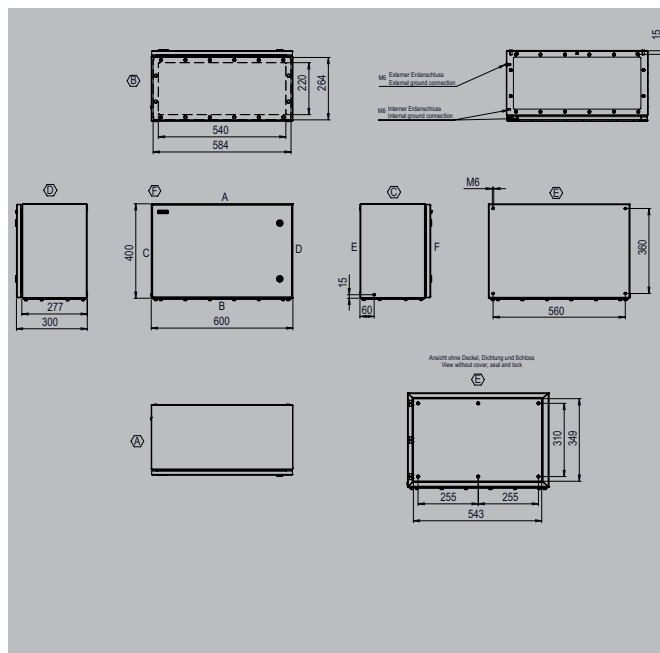
Assembly with terminal	vertical	horizontal
2.5 mm <sup>2</sup>	4x61	4x61
4 mm <sup>2</sup>	4x51	4x51
6 mm <sup>2</sup>	4x38	4x38
10 mm <sup>2</sup>	4x30	4x30
16 mm <sup>2</sup>	4x25	4x25
35 mm <sup>2</sup>	4x18	4x18

**Note** When mounting modular terminals please leave a distance of 10 mm to the ends of the DIN rail. Ordering recommendations: TS 35 Mounting rail with clamping yoke technology WDU, spring-cage terminal ZDU or PUSH IN technology AZC TS 32 Mounting rail with clamping yoke technology SAK TS 15 Mounting rail with clamping yoke technology AKZ Order information for terminal blocks, please refer to online catalogue

**Guide value for max. number of cable entries**

Cable entries	A / B	C / D
M12	273	300
M16	145	160
M20	92	104
M25	48	63
M32	35	35
M40	22	22
M50	12	12
M63	6	6
M75	5	5

**Note** Our IP 68 brass cable glands serve as a reference for these recommended values.



Height / Width / Depth 400 / 600 / 300 mm

**Ordering data**

<b>Stainless steel 1.4404 316L, brushed</b>	<b>Order No.</b>
1 gland plate - positioned at the bottom (B)	<b>8000071037</b>

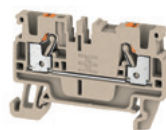
**Note**

**Accessories**

<b>Double-bit key</b>	<b>Order No.</b>
	<b>2473930000</b>
<b>Mounting plates and fastening screws</b>	
Steel sheet, zinc plated	<b>8000074174</b>
With hole pattern, natural stainless steel 1.4301	<b>8000074320</b>
Fastening screws for terminal rails*	<b>1274150000</b>
Fastening screws for mounting plates	<b>2704960000</b>
<b>Mounting foot</b>	<b>2660200318</b>

**Guide value for max. number of terminals (industry)**

Assembly with terminal	vertical	horizontal
2.5 mm <sup>2</sup>	6x61	4x98
4 mm <sup>2</sup>	6x51	4x82
6 mm <sup>2</sup>	6x38	4x61
10 mm <sup>2</sup>	6x30	4x49
16 mm <sup>2</sup>	6x25	4x41
35 mm <sup>2</sup>	6x18	4x30



**Note** When mounting modular terminals please leave a distance of 10 mm to the ends of the DIN rail.  
 Ordering recommendations:  
 TS 35 Mounting rail with clamping yoke technology WDU, spring-cage terminal ZDU or PUSH  
 IN technology AZC  
 TS 32 Mounting rail with clamping yoke technology SAK  
 TS 15 Mounting rail with clamping yoke technology AKZ  
 Order information for terminal blocks, please refer to online catalogue

**Guide value for max. number of cable entries**

Cable entries	A / B	C / D
M12	434	300
M16	230	160
M20	148	104
M25	87	63
M32	55	35
M40	36	22
M50	21	12
M63	11	6
M75	9	5

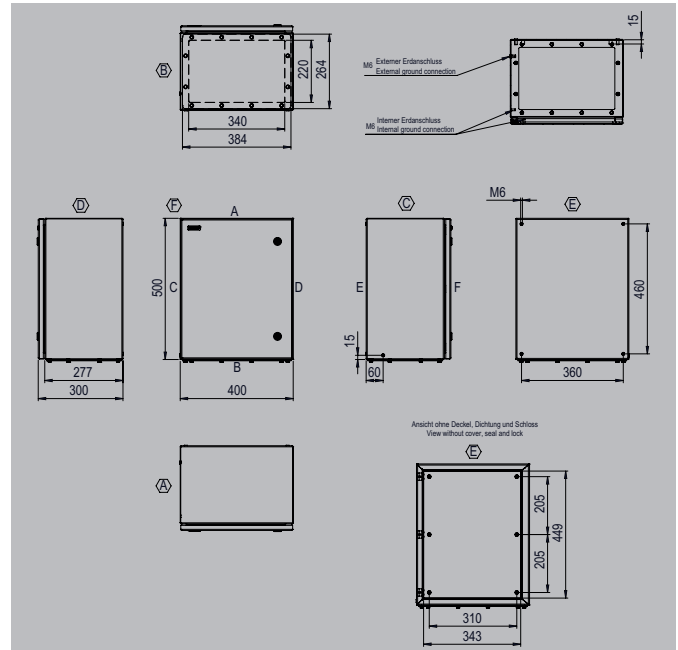


**Note** Our IP 68 brass cable glands serve as a reference for these recommended values.

**Note** \*Packing unit (PU) = 20 pcs.

KEBXQL504030S4B1 AK

Depth 300 mm



Height / Width / Depth 500 / 400 / 300 mm

**Ordering data**

Stainless steel 1.4404 316L, brushed	Order No.
1 gland plate - positioned at the bottom (B)	<b>8000071038</b>

Note

**Accessories**

Double-bit key	Order No.
	<b>2473930000</b>
<b>Mounting plates and fastening screws</b>	
Steel sheet, zinc plated	<b>8000074175</b>
With hole pattern, natural stainless steel 1.4301	<b>8000074321</b>
Fastening screws for terminal rails*	<b>1274150000</b>
Fastening screws for mounting plates	<b>2704960000</b>
Mounting foot	<b>2660200318</b>

**Guide value for max. number of terminals (industry)**

Assembly with terminal	vertical	horizontal
2.5 mm <sup>2</sup>	4x80	6x61
4 mm <sup>2</sup>	4x67	6x51
6 mm <sup>2</sup>	4x50	6x38
10 mm <sup>2</sup>	4x40	6x30
16 mm <sup>2</sup>	4x33	6x25
35 mm <sup>2</sup>	4x25	6x18

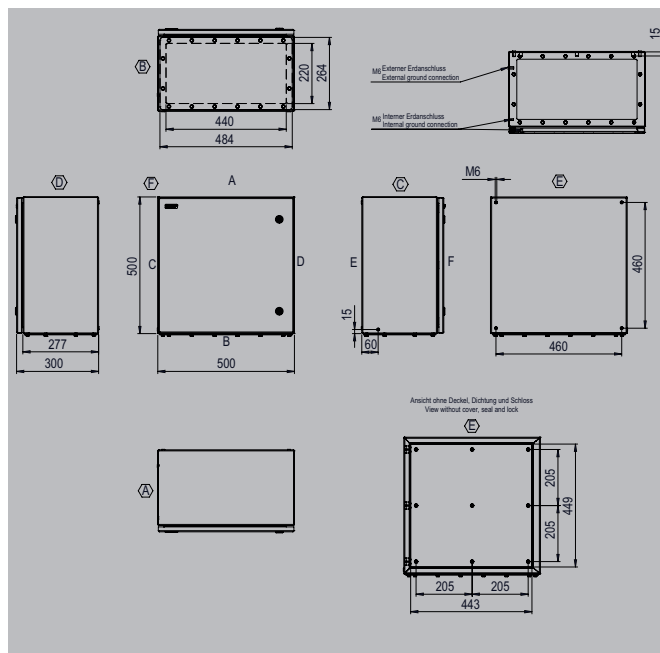
Note  
When mounting modular terminals please leave a distance of 10 mm to the ends of the DIN rail.  
Ordering recommendations:  
TS 35 Mounting rail with clamping yoke technology WDU, spring-cage terminal ZDU or PUSH IN technology AZC  
TS 32 Mounting rail with clamping yoke technology SAK  
TS 15 Mounting rail with clamping yoke technology AKZ  
Order information for terminal blocks, please refer to online catalogue

**Guide value for max. number of cable entries**

Cable entries	A / B	C / D
M12	273	390
M16	145	209
M20	92	135
M25	48	84
M32	35	45
M40	22	30
M50	12	17
M63	6	9
M75	5	7

Note  
Our IP 68 brass cable glands serve as a reference for these recommended values.

Note \*Packing unit (PU) = 20 pcs.



Height / Width / Depth 500 / 500 / 300 mm

**Ordering data**

<b>Stainless steel 1.4404 316L, brushed</b>	<b>Order No.</b>
1 gland plate - positioned at the bottom (B)	<b>8000071039</b>

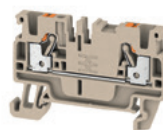
**Note**

**Accessories**

<b>Double-bit key</b>	<b>Order No.</b>
	<b>2473930000</b>
<b>Mounting plates and fastening screws</b>	
Steel sheet, zinc plated	<b>8000074176</b>
With hole pattern, natural stainless steel 1.4301	<b>8000074322</b>
Fastening screws for terminal rails*	<b>1274150000</b>
Fastening screws for mounting plates	<b>2704960000</b>
<b>Mounting foot</b>	<b>2660200318</b>

**Guide value for max. number of terminals (industry)**

Assembly with terminal	vertical	horizontal
2.5 mm <sup>2</sup>	4x80	4x80
4 mm <sup>2</sup>	4x67	4x67
6 mm <sup>2</sup>	4x50	4x50
10 mm <sup>2</sup>	4x40	4x40
16 mm <sup>2</sup>	4x33	4x33
35 mm <sup>2</sup>	4x25	4x25



**Note** When mounting modular terminals please leave a distance of 10 mm to the ends of the DIN rail.  
 Ordering recommendations:  
 TS 35 Mounting rail with clamping yoke technology WDU, spring-cage terminal ZDU or PUSH IN technology AZC  
 TS 32 Mounting rail with clamping yoke technology SAK  
 TS 15 Mounting rail with clamping yoke technology AKZ  
 Order information for terminal blocks, please refer to online catalogue

**Guide value for max. number of cable entries**

Cable entries	A / B	C / D
M12	350	390
M16	185	209
M20	120	135
M25	69	84
M32	45	45
M40	28	30
M50	17	17
M63	8	9
M75	7	7

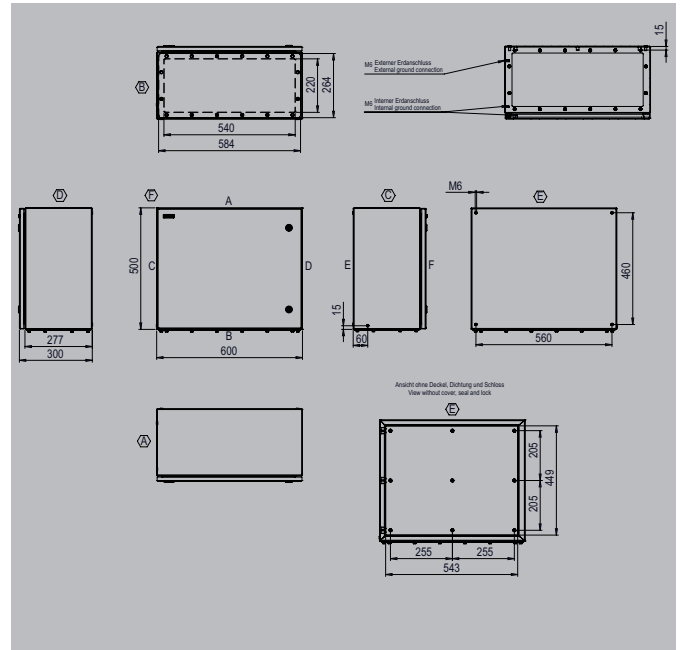


**Note** Our IP 68 brass cable glands serve as a reference for these recommended values.

**Note** \*Packing unit (PU) = 20 pcs.

KEBXQL506030S4B1 AK

Depth 300 mm



Height / Width / Depth 500 / 600 / 300 mm

**Ordering data**

<b>Stainless steel 1.4404 316L, brushed</b>	<b>Order No.</b>
1 gland plate - positioned at the bottom (B)	<b>8000071040</b>

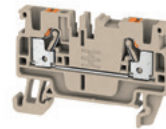
**Note**

**Accessories**

<b>Double-bit key</b>	<b>Order No.</b>
	<b>2473930000</b>
<b>Mounting plates and fastening screws</b>	
Steel sheet, zinc plated	<b>8000074177</b>
With hole pattern, natural stainless steel 1.4301	<b>8000074323</b>
Fastening screws for terminal rails*	<b>1274150000</b>
Fastening screws for mounting plates	<b>2704960000</b>
<b>Mounting foot</b>	<b>2660200318</b>

**Guide value for max. number of terminals (industry)**

Assembly with terminal	vertical	horizontal
2.5 mm <sup>2</sup>	6x80	6x98
4 mm <sup>2</sup>	6x67	6x82
6 mm <sup>2</sup>	6x50	6x61
10 mm <sup>2</sup>	6x40	6x49
16 mm <sup>2</sup>	6x33	6x41
35 mm <sup>2</sup>	6x25	6x30



**Note**

When mounting modular terminals please leave a distance of 10 mm to the ends of the DIN rail.  
 Ordering recommendations:  
 TS 35 Mounting rail with clamping yoke technology WDU, spring-cage terminal ZDU or PUSH IN technology AZC  
 TS 32 Mounting rail with clamping yoke technology SAK  
 TS 15 Mounting rail with clamping yoke technology AKZ  
 Order information for terminal blocks, please refer to online catalogue

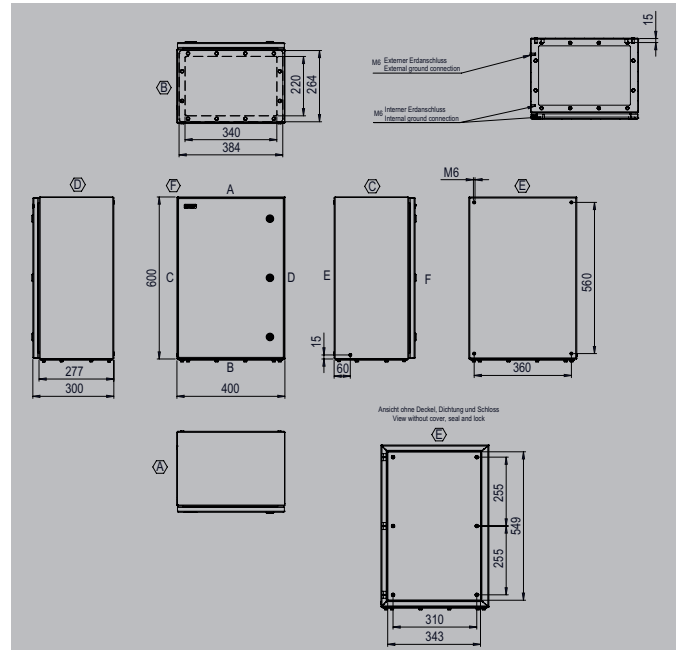
**Guide value for max. number of cable entries**

Cable entries	A / B	C / D
M12	434	390
M16	230	209
M20	148	135
M25	87	84
M32	55	45
M40	36	30
M50	21	17
M63	11	9
M75	9	7

**Note**

Our IP 68 brass cable glands serve as a reference for these recommended values.

**Note** \*Packing unit (PU) = 20 pcs.



Height / Width / Depth 600 / 400 / 300 mm

**Ordering data**

<b>Stainless steel 1.4404 316L, brushed</b>	<b>Order No.</b>
1 gland plate - positioned at the bottom (B)	<b>8000071042</b>

**Note**

**Accessories**

<b>Double-bit key</b>	<b>Order No.</b>
	<b>2473930000</b>
<b>Mounting plates and fastening screws</b>	
Steel sheet, zinc plated	<b>8000074178</b>
With hole pattern, natural stainless steel 1.4301	<b>8000074324</b>
Fastening screws for terminal rails*	<b>1274150000</b>
Fastening screws for mounting plates	<b>2704960000</b>
<b>Mounting foot</b>	<b>2660200318</b>

**Guide value for max. number of terminals (industry)**

Assembly with terminal	vertical	horizontal
2.5 mm <sup>2</sup>	5x98	8x61
4 mm <sup>2</sup>	5x82	8x51
6 mm <sup>2</sup>	5x61	8x38
10 mm <sup>2</sup>	5x49	8x30
16 mm <sup>2</sup>	5x41	8x25
35 mm <sup>2</sup>	5x30	8x18

**Note** When mounting modular terminals please leave a distance of 10 mm to the ends of the DIN rail. Ordering recommendations: TS 35 Mounting rail with clamping yoke technology WDU, spring-cage terminal ZDU or PUSH IN technology AZC TS 32 Mounting rail with clamping yoke technology SAK TS 15 Mounting rail with clamping yoke technology AKZ Order information for terminal blocks, please refer to online catalogue

**Guide value for max. number of cable entries**

Cable entries	A / B	C / D
M12	273	480
M16	145	259
M20	92	171
M25	48	105
M32	35	58
M40	22	36
M50	12	21
M63	6	11
M75	5	9

**Note** Our IP 68 brass cable glands serve as a reference for these recommended values.

**Note** \*Packing unit (PU) = 20 pcs.



KEBXQL806030S4B1 AK

Depth 300 mm



Height / Width / Depth 800 / 600 / 300 mm

**Ordering data**

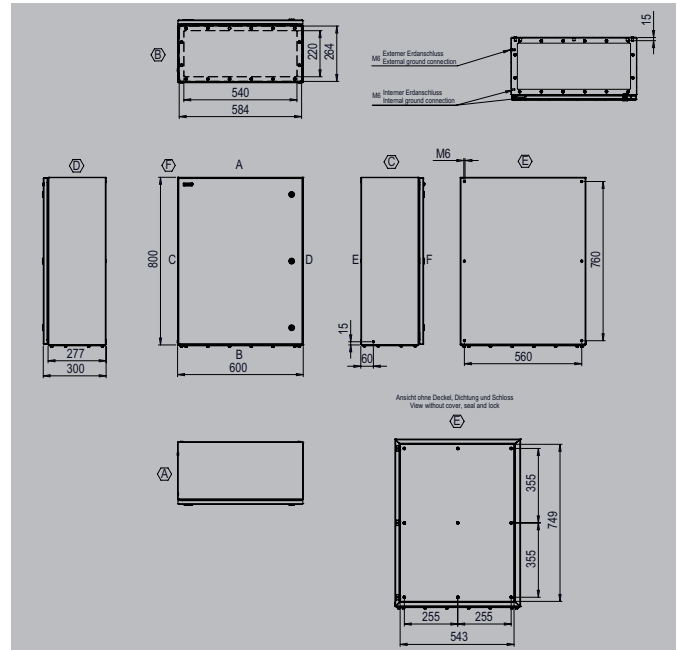
<b>Stainless steel 1.4404 316L, brushed</b>	<b>Order No.</b>
1 gland plate - positioned at the bottom (B)	<b>8000071043</b>

**Note**

**Accessories**

<b>Double-bit key</b>	<b>Order No.</b>
	<b>2473930000</b>
<b>Mounting plates and fastening screws</b>	
Steel sheet, zinc plated	<b>8000074179</b>
With hole pattern, natural stainless steel 1.4301	<b>8000074325</b>
Fastening screws for terminal rails*	<b>1274150000</b>
Fastening screws for mounting plates	<b>2704960000</b>
<b>Mounting foot</b>	<b>2660200318</b>

**Note** \*Packing unit (PU) = 20 pcs.



**Guide value for max. number of terminals (industry)**

Assembly with terminal	vertical	horizontal
2.5 mm <sup>2</sup>	6x138	8x98
4 mm <sup>2</sup>	6x115	8x82
6 mm <sup>2</sup>	6x86	8x61
10 mm <sup>2</sup>	6x69	8x49
16 mm <sup>2</sup>	6x58	8x41
35 mm <sup>2</sup>	6x43	8x30

**Note** When mounting modular terminals please leave a distance of 10 mm to the ends of the DIN rail. Ordering recommendations: TS 35 Mounting rail with clamping yoke technology WDU, spring-cage terminal ZDU or PUSH IN technology AZC TS 32 Mounting rail with clamping yoke technology SAK TS 15 Mounting rail with clamping yoke technology AKZ Order information for terminal blocks, please refer to online catalogue

**Guide value for max. number of cable entries**

Cable entries	A / B	C / D
M12	434	653
M16	230	358
M20	148	234
M25	87	144
M32	55	80
M40	36	50
M50	21	30
M63	11	24
M75	9	13

**Note** Our IP 68 brass cable glands serve as a reference for these recommended values.

# Perfect protection for your components

## Klippon® EBi stainless steel enclosures for industrial applications

**C** Industrial environments place high demands on the enclosures. Even moderate environmental conditions require sophisticated measures for protecting the internal components from dust and moisture to ensure trouble-free operation.

Klippon® EBi stainless steel enclosures provide perfect protection for instrumentation, distribution, and control applications. All versions are dust- and water ingress-proof to IP66 or NEMA 4X and impact-resistant to IK09. They are made of durable 1.4301 stainless steel and comply with the latest international standards. The Klippon® EBi enclosures are available with or without a bottom gland plate. Lid fixing options include either a quarter lock (QL) as standard or a fixing screw (FS) version which is available on a request basis.

### Your special advantages:

- Protection class IP66 / NEMA 4X
- Impact resistance according to IK09
- International conformity according to EN 62208, DNV GL and UL
- Operating temperatures from -40 °C to +85 °C
- PUR cover gasket for protection and safety
- Flexible wall assembly thanks to rear mounting holes or mounting feet (optional)
- Individual configuration supported by the Weidmüller Configurator (WMC)



Use our online catalogue to find additional product details, technical information and additional services:

[www.weidmueller.com/klipponebi](http://www.weidmueller.com/klipponebi)



**Quarter Lock Insert**

Hinged door with a quarter lock facility ensures safe and easy accessibility. If required, hinges can be placed on either side of the enclosure to support side by side placement.



**Gland plate with Torx® screws**

Torx® screws (M5/T20) are used for gland plate mounting to facilitate compliance with the required torque.



**Flexible mounting**

A dedicated mounting profile facilitates the flexible, simple and secure installation of mounting rails or mounting plates for component installation within the enclosure.

# Klippon® EBi QL – Quarter Lock

## Stainless steel enclosures for use within harsh industrial environments

Even under moderate environmental conditions, there is an increasing need for complex, individual automated solutions. A harsh industrial environment places additional, heavy demands on applications and determines the design of the industrial enclosures to meet these demands. With complete protection and excellent durability, our Klippon® EBi stainless steel enclosures offer the best protection for the components inside them.

- Available in 11 sizes and 2 depths
- Impact resistance IK09 (10J) in accordance with DIN EN 50102 for industrial applications
- Dedicated internal mounting support bracket for fixing terminal rail or mounting plates with self forming screws
- Concealed hinges
- Supplied in 0 or 1 gland plate version
- Direct enclosure mounting is provided via the fixing positions placed into the rear of the enclosure
- Mounting feet in stainless steel are optionally available and can be rotated 90°
- Dust and moisture channel
- Double-bit locking system

Our assembly service can supply these enclosure preassembled with terminals, electronics and cable glands.



**i** Use our online catalogue to find additional product details, technical information and additional services:  
[www.weidmueller.com/klipponebi](http://www.weidmueller.com/klipponebi)



You can find this product family in our Weidmüller Configurator:  
[www.weidmueller.com/wmc](http://www.weidmueller.com/wmc)

## Overview of enclosures

### Ordering data

Description	Height x width x depth in mm	0 Gland Plate	1 Gland Plate (below)
KEBi QL 302015 S2B_***	300 x 200 x 150	2470690000	2470800000
KEBi QL 303015 S2B_***	300 x 300 x 150	2470700000	2470810000
KEBi QL 303022 S2B_***	300 x 300 x 220	2470710000	2470820000
KEBi QL 403015 S2B_*	400 x 300 x 150	2470720000	2470830000
KEBi QL 403022 S2B_*	400 x 300 x 220	2470730000	2470840000
KEBi QL 404022 S2B_*	400 x 400 x 220	2470740000	2470850000
KEBi QL 504022 S2B_*	500 x 400 x 220	2470750000	2470860000
KEBi QL 505022 S2B_*	500 x 500 x 220	2470760000	2470870000
KEBi QL 604022 S2B_*	600 x 400 x 220	2470770000	2470880000
KEBi QL 606022 S2B_*	600 x 600 x 220	2470780000	2470890000
KEBi QL 806022 S2B_*	800 x 600 x 220	2470790000	2470900000

**Note** \*Placeholder for the number of gland plates (0 or 1), \*\*smaller reference size for material thickness

## Technical Overview

### Features

- Available in 11 sizes and 2 standard depths
- Welded mounting bracket for securing the mounting plate or mounting rail by means of self-tapping screws
- External earth - M6 earth rivet
- Concealed hinges
- M6 earthing bolt welded in the cover and base of the enclosure
- Available with 0 or 1 gland plates
- Optimised laser welding, high quality standard
- Direct mounting of the enclosure with rear mounting holes
- Mounting feet in stainless steel are optionally available, and can be rotated by 90°
- Moisture and dust channel
- Double-bit locking system
- Permanent labelling of items
- Key included for sash lock
- Packaging optimally designed for enclosure

#### Note

### Technical data

Material	Stainless steel 1.4301 (304) 1.5 mm (1.25 mm for smaller sizes**)
Surface	Brushed – grain size 240
IP protection class	IP 66 to DIN EN 60529
NEMA Rating	3, 4x, 5
Gland plates	Stainless steel 1.4301 (304) 2 mm, fitted with M5 Torx T20 screws
Earthing inside	Welded-on M6 stainless-steel earth stud in enclosure lid and base
Earthing outside	External earth position – suitable for M6 threaded screw
Installation mounting	Welded mounting bracket for flexible mounting of the mounting plate, rails or TAS 20 rails. They contain 4.51 mm drill holes for accommodating the mounting plate or TS/TAS by means of self-tapping screws (1274150000)
Enclosure attachment	Direct mounting (9 mm mounting holes on rear wall) or via mounting feet (optionally available), adjustable by 90°
Lid opening	125°
Lid fixing	Quarter lock with double bit
Impact resistance	IK09 (10J) to DIN EN 50102
Gasket material	Polyurethane (PUR) foam (cover), EPDM flat gasket (gland plate)
Operating temperature range	-40 °C ... +85 °C
Tightening torque of gland plates screws*	2.5 Nm
<b>Note</b>	*SD T20 Screwdriver (2749520000) optionally available

### Approvals for empty enclosures

Empty enclosure standard	DIN EN 62208
DNV GL	TAE00002RN
cULus	E 243298
<b>Note</b>	For details of power dissipation, please contact your Weidmüller representative.



Height / Width / Depth 300 / 200 / 150 mm

Ordering data

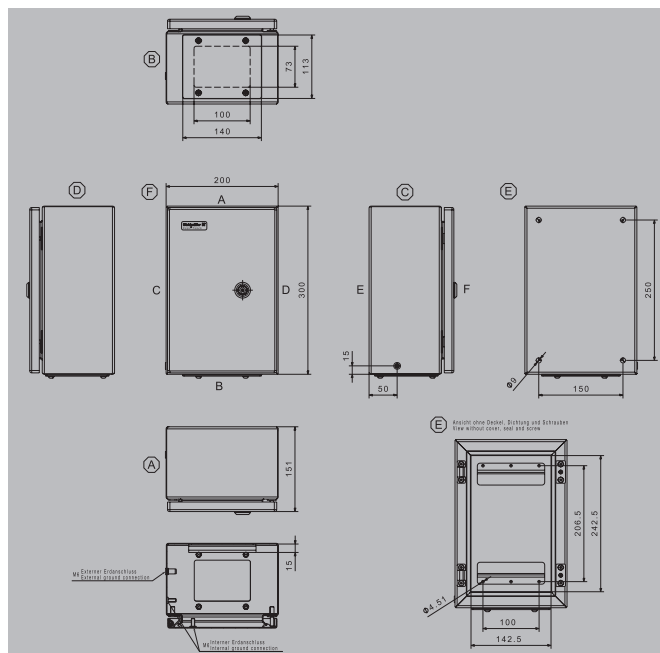
Stainless steel 1.4301 (304), brushed	Order No.
0 gland plates	2470690000
1 gland plate - positioned at the bottom (B)	2470800000

Note

Accessories

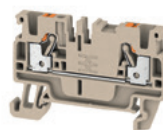
Mounting plates and fastening screws	Order No.
Steel sheet, zinc plated	1309690000
Stainless steel 1.4301 natural	1309700000
Fastening screws for terminal rails*	1274150000
Mounting rails**, TS35x7.5	
Vertical	8000037556
Stainless steel spacer M6 x 8, Set of 4	
10 mm length	0935110000
15 mm length	0935120000
20 mm length	0935130000
30 mm length	0935140000
Mild steel nickel plated Spacer M6 x 8, set of 2	
15 mm length	3896100000
20 mm length	3896200000
30 mm length	3896300000
Mounting feet, set containing 4 pieces each	
Stainless steel 1.4301 natural	1289180000
Pressure compensation elements	
Polyamide 6, M12	1868570000
Stainless steel 1.4305, M12	1868550000
Double-bit key	2473930000

Note \*Packing unit (PU) = 20 pcs., sufficient for 10 fixtures  
\*\*Packing unit (PU) = 20 pcs., fixing screws 1274150000 available separately



Guide value for max. number of terminals (industry)

Assembly with terminal	vertical	horizontal
2.5 mm <sup>2</sup>	1x36	3x17
4 mm <sup>2</sup>	1x30	3x14
6 mm <sup>2</sup>	1x23	3x11
10 mm <sup>2</sup>	1x18	3x9
16 mm <sup>2</sup>	1x15	3x7
35 mm <sup>2</sup>	1x11	3x5



Note The assembly with modular terminals gives consideration to a distance of 10 mm from the end of each mounting rail. Order recommendations:  
TS 35 Mounting rail with clamping yoke technology WDU, spring-cage terminal ZDU or PUSH IN technology AZC  
TS 32 Mounting rail with clamping yoke technology SAK  
TS 15 Mounting rail with clamping yoke technology AKZ  
Order information for terminal blocks, please refer to online catalogue

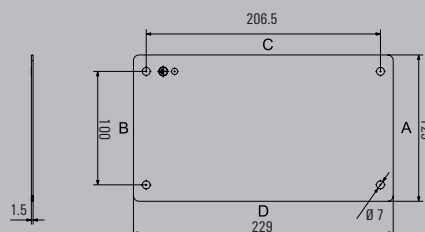
Guide value for max. number of cable entries

Cable entries	A / B	C / D
M12	21	33
M16	15	27
M20	8	14
M25	6	12
M32	3	5
M40	2	4
M50	2	3
M63	1	2
M75		



Note Our IP 68 brass cable glands are used as the reference for these guideline values.

Dimensions of mounting plate





Height / Width / Depth 300 / 300 / 150 mm

**Ordering data**

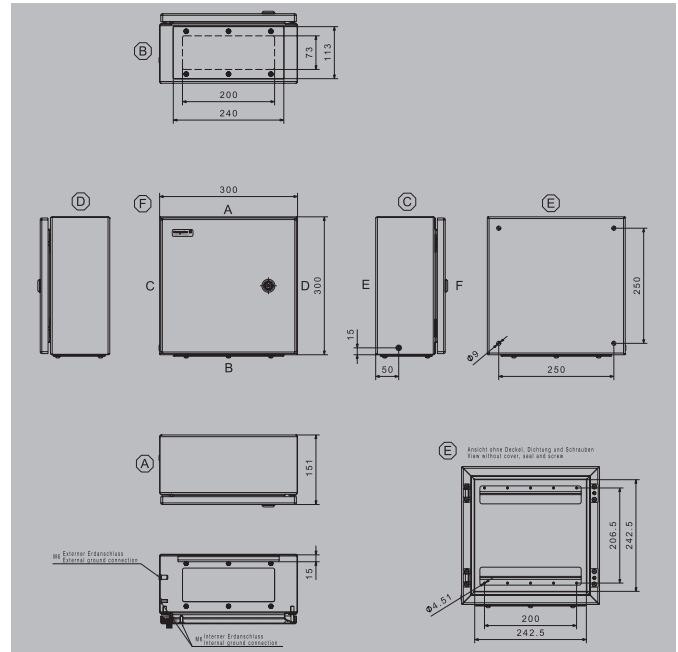
Stainless steel 1.4301 (304), brushed	Order No.
0 gland plates	2470700000
1 gland plate - positioned at the bottom (B)	2470810000

**Note**

**Accessories**

Mounting plates and fastening screws	Order No.
Steel sheet, zinc plated	1310410000
Stainless steel 1.4301 natural	1310320000
Fastening screws for terminal rails*	1274150000
Mounting rails**, TS35x7.5	
Vertical	8000037556
Stainless steel spacer M6 x 8, Set of 4	
10 mm length	0935110000
15 mm length	0935120000
20 mm length	0935130000
30 mm length	0935140000
Mild steel nickel plated Spacer M6 x 8, set of 2	
15 mm length	3896100000
20 mm length	3896200000
30 mm length	3896300000
Mounting feet, set containing 4 pieces each	
Stainless steel 1.4301 natural	1289180000
Pressure compensation elements	
Polyamide 6, M12	1868570000
Stainless steel 1.4305, M12	1868550000
Double-bit key	2473930000

**Note** \*Packing unit (PU) = 20 pcs., sufficient for 10 fixtures  
\*\*Packing unit (PU) = 20 pcs., fixing screws 1274150000 available separately



**Guide value for max. number of terminals (industry)**

Assembly with terminal	vertical	horizontal
2.5 mm <sup>2</sup>	3x36	3x36
4 mm <sup>2</sup>	3x30	3x30
6 mm <sup>2</sup>	3x23	3x23
10 mm <sup>2</sup>	3x18	3x18
16 mm <sup>2</sup>	3x15	3x15
35 mm <sup>2</sup>	3x11	3x11

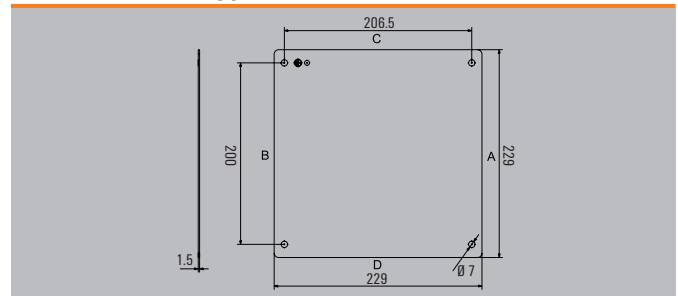
**Note** The assembly with modular terminals gives consideration to a distance of 10 mm from the end of each mounting rail. Order recommendations:  
TS 35 Mounting rail with clamping yoke technology WDU, spring-cage terminal ZDU or PUSH IN technology AZC  
TS 32 Mounting rail with clamping yoke technology SAK  
TS 15 Mounting rail with clamping yoke technology AKZ  
Order information for terminal blocks, please refer to online catalogue

**Guide value for max. number of cable entries**

Cable entries	A / B	C / D
M12	33	33
M16	27	27
M20	14	14
M25	12	12
M32	5	5
M40	4	4
M50	3	3
M63	2	2
M75		

**Note** Our IP 68 brass cable glands are used as the reference for these guideline values.

**Dimensions of mounting plate**





Height / Width / Depth 300 / 300 / 220 mm

**Ordering data**

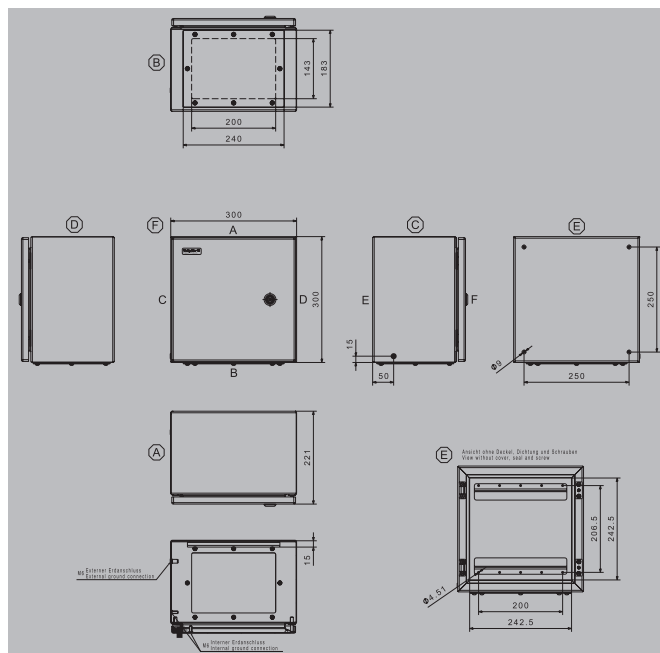
Stainless steel 1.4301 (304), brushed	Order No.
0 gland plates	2470710000
1 gland plate - positioned at the bottom (B)	2470820000

**Note**

**Accessories**

Mounting plates and fastening screws	Order No.
Steel sheet, zinc plated	1310410000
Stainless steel 1.4301 natural	1310320000
Fastening screws for terminal rails*	1274150000
Mounting rails**, TS35x7.5	
Vertical	8000037556
Stainless steel spacer M6 x 8, Set of 4	
10 mm length	0935110000
15 mm length	0935120000
20 mm length	0935130000
30 mm length	0935140000
Mild steel nickel plated Spacer M6 x 8, set of 2	
15 mm length	3896100000
20 mm length	3896200000
30 mm length	3896300000
Mounting feet, set containing 4 pieces each	
Stainless steel 1.4301 natural	1289180000
Pressure compensation elements	
Polyamide 6, M12	1868570000
Stainless steel 1.4305, M12	1868550000
Double-bit key	2473930000

**Note** \*Packing unit (PU) = 20 pcs., sufficient for 10 fixtures  
\*\*Packing unit (PU) = 20 pcs., fixing screws 1274150000 available separately



**Guide value for max. number of terminals (industry)**

Assembly with terminal	vertical	horizontal
2.5 mm <sup>2</sup>	3x36	3x36
4 mm <sup>2</sup>	3x30	3x30
6 mm <sup>2</sup>	3x23	3x23
10 mm <sup>2</sup>	3x18	3x18
16 mm <sup>2</sup>	3x15	3x15
35 mm <sup>2</sup>	3x11	3x11

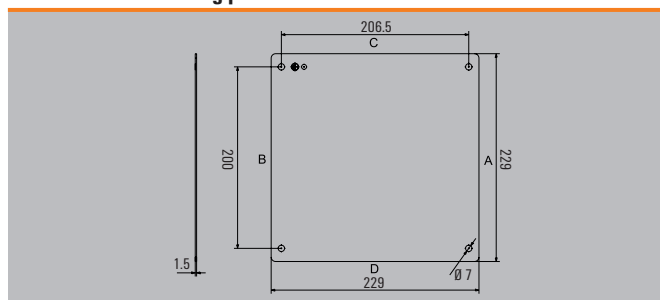
**Note** The assembly with modular terminals gives consideration to a distance of 10 mm from the end of each mounting rail. Order recommendations:  
TS 35 Mounting rail with clamping yoke technology WDU, spring-cage terminal ZDU or PUSH IN technology AZC  
TS 32 Mounting rail with clamping yoke technology SAK  
TS 15 Mounting rail with clamping yoke technology AKZ  
Order information for terminal blocks, please refer to online catalogue

**Guide value for max. number of cable entries**

Cable entries	A / B	C / D
M12	76	76
M16	45	45
M20	28	28
M25	18	18
M32	15	15
M40	8	8
M50	6	6
M63	2	2
M75	2	2

**Note** Our IP 68 brass cable glands are used as the reference for these guideline values.

**Dimensions of mounting plate**







Height / Width / Depth 400 / 300 / 150 mm

**Ordering data**

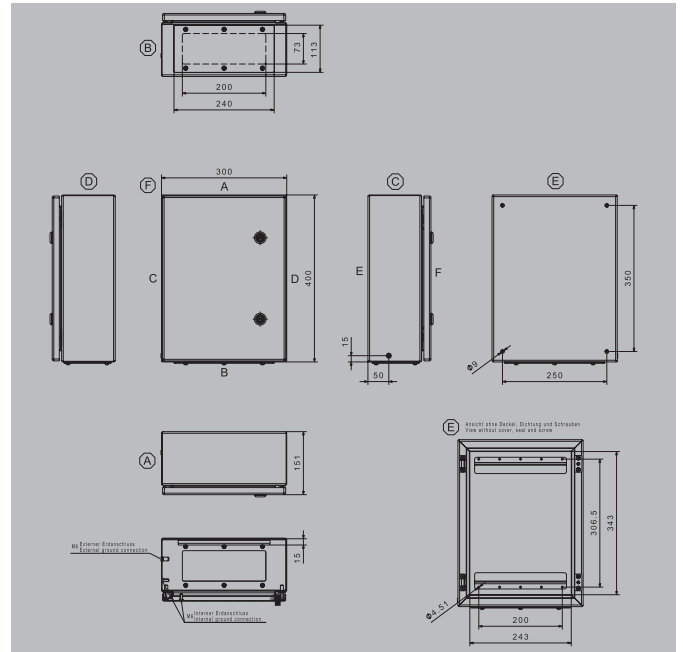
Stainless steel 1.4301 (304), brushed	Order No.
0 gland plates	2470720000
1 gland plate - positioned at the bottom (B)	2470830000

**Note**

**Accessories**

Mounting plates and fastening screws	Order No.
Steel sheet, zinc plated	1310420000
Stainless steel 1.4301 natural	1310330000
Fastening screws for terminal rails*	1274150000
Mounting rails**, TS35x7.5	
Vertical	8000037555
Stainless steel spacer M6 x 8, Set of 4	
10 mm length	0935110000
15 mm length	0935120000
20 mm length	0935130000
30 mm length	0935140000
Mild steel nickel plated Spacer M6 x 8, set of 2	
15 mm length	3896100000
20 mm length	3896200000
30 mm length	3896300000
Mounting feet, set containing 4 pieces each	
Stainless steel 1.4301 natural	1289180000
Pressure compensation elements	
Polyamide 6, M12	1868570000
Stainless steel 1.4305, M12	1868550000
Double-bit key	2473930000

**Note** \*Packing unit (PU) = 20 pcs., sufficient for 10 fixtures  
\*\*Packing unit (PU) = 20 pcs., fixing screws 1274150000 available separately



**Guide value for max. number of terminals (industry)**

Assembly with terminal	vertical	horizontal
2.5 mm <sup>2</sup>	3x56	4x36
4 mm <sup>2</sup>	3x47	4x30
6 mm <sup>2</sup>	3x35	4x23
10 mm <sup>2</sup>	3x28	4x18
16 mm <sup>2</sup>	3x23	4x15
35 mm <sup>2</sup>	3x18	4x11

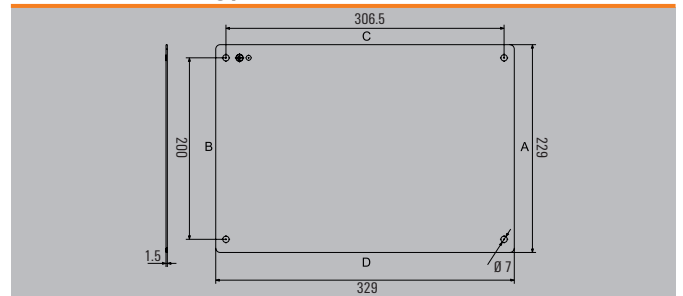
**Note** The assembly with modular terminals gives consideration to a distance of 10 mm from the end of each mounting rail. Order recommendations:  
TS 35 Mounting rail with clamping yoke technology WDU, spring-cage terminal ZDU or PUSH IN technology AZC  
TS 32 Mounting rail with clamping yoke technology SAK  
TS 15 Mounting rail with clamping yoke technology AKZ  
Order information for terminal blocks, please refer to online catalogue

**Guide value for max. number of cable entries**

Cable entries	A / B	C / D
M12	33	48
M16	27	39
M20	14	20
M25	12	16
M32	5	7
M40	4	5
M50	3	4
M63	2	3
M75		

**Note** Our IP 68 brass cable glands are used as the reference for these guideline values.

**Dimensions of mounting plate**





Height / Width / Depth 400 / 300 / 220 mm

**Ordering data**

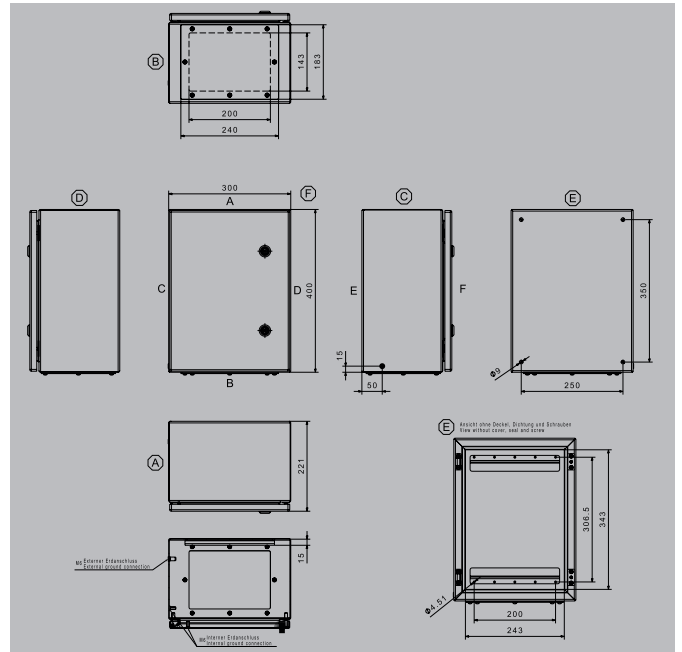
Stainless steel 1.4301 (304), brushed	Order No.
0 gland plates	2470730000
1 gland plate - positioned at the bottom (B)	2470840000

**Note**

**Accessories**

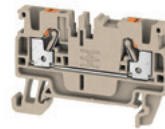
Mounting plates and fastening screws	Order No.
Steel sheet, zinc plated	1310420000
Stainless steel 1.4301 natural	1310330000
Fastening screws for terminal rails*	1274150000
Mounting rails**, TS35x7.5	
Vertical	8000037555
Stainless steel spacer M6 x 8, Set of 4	
10 mm length	0935110000
15 mm length	0935120000
20 mm length	0935130000
30 mm length	0935140000
Mild steel nickel plated Spacer M6 x 8, set of 2	
15 mm length	3896100000
20 mm length	3896200000
30 mm length	3896300000
Mounting feet, set containing 4 pieces each	
Stainless steel 1.4301 natural	1289180000
Pressure compensation elements	
Polyamide 6, M12	1868570000
Stainless steel 1.4305, M12	1868550000
Double-bit key	2473930000

**Note** \*Packing unit (PU) = 20 pcs., sufficient for 10 fixtures  
\*\*Packing unit (PU) = 20 pcs., fixing screws 1274150000 available separately



**Guide value for max. number of terminals (industry)**

Assembly with terminal	vertical	horizontal
2.5 mm <sup>2</sup>	3x56	4x36
4 mm <sup>2</sup>	3x47	4x30
6 mm <sup>2</sup>	3x35	4x23
10 mm <sup>2</sup>	3x28	4x18
16 mm <sup>2</sup>	3x23	4x15
35 mm <sup>2</sup>	3x18	4x11



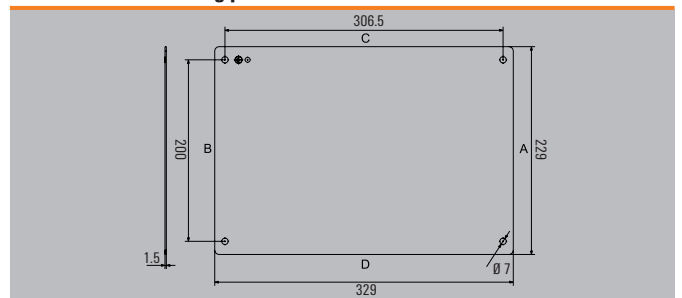
**Note** The assembly with modular terminals gives consideration to a distance of 10 mm from the end of each mounting rail. Order recommendations:  
TS 35 Mounting rail with clamping yoke technology WDU, spring-cage terminal ZDU or PUSH IN technology AZC  
TS 32 Mounting rail with clamping yoke technology SAK  
TS 15 Mounting rail with clamping yoke technology AKZ  
Order information for terminal blocks, please refer to online catalogue

**Guide value for max. number of cable entries**

Cable entries	A / B	C / D
M12	76	112
M16	45	65
M20	28	40
M25	18	24
M32	15	21
M40	8	10
M50	6	8
M63	2	3
M75	2	2

**Note** Our IP 68 brass cable glands are used as the reference for these guideline values.

**Dimensions of mounting plate**





Height / Width / Depth 400 / 400 / 220 mm

**Ordering data**

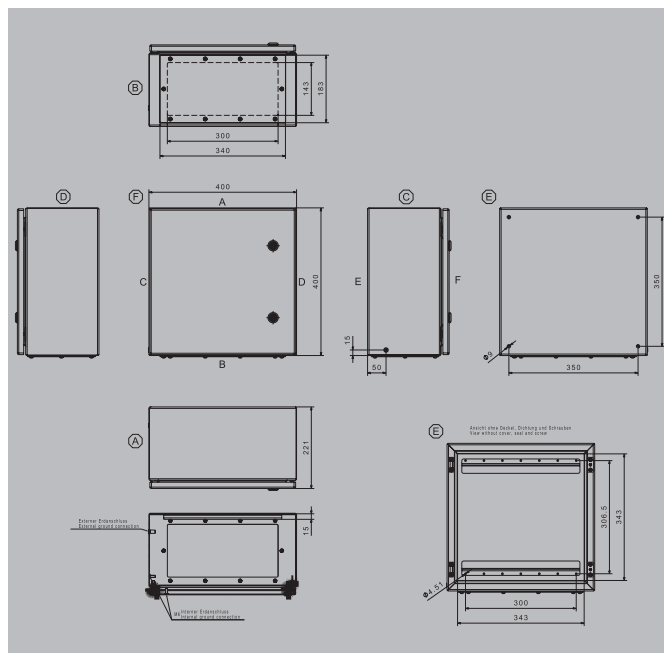
Stainless steel 1.4301 (304), brushed	Order No.
0 gland plates	2470740000
1 gland plate - positioned at the bottom (B)	2470850000

**Note**

**Accessories**

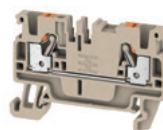
Mounting plates and fastening screws	Order No.
Steel sheet, zinc plated	1310430000
Stainless steel 1.4301 natural	1310340000
Fastening screws for terminal rails*	1274150000
Mounting rails**, TS35x7.5	
Vertical	8000037555
Stainless steel spacer M6 x 8, Set of 4	
10 mm length	0935110000
15 mm length	0935120000
20 mm length	0935130000
30 mm length	0935140000
Mild steel nickel plated Spacer M6 x 8, set of 2	
15 mm length	3896100000
20 mm length	3896200000
30 mm length	3896300000
Mounting feet, set containing 4 pieces each	
Stainless steel 1.4301 natural	1289180000
Pressure compensation elements	
Polyamide 6, M12	1868570000
Stainless steel 1.4305, M12	1868550000
Double-bit key	2473930000

**Note** \*Packing unit (PU) = 20 pcs., sufficient for 10 fixtures  
\*\*Packing unit (PU) = 20 pcs., fixing screws 1274150000 available separately



**Guide value for max. number of terminals (industry)**

Assembly with terminal	vertical	horizontal
2.5 mm <sup>2</sup>	4x56	4x56
4 mm <sup>2</sup>	4x47	4x47
6 mm <sup>2</sup>	4x35	4x35
10 mm <sup>2</sup>	4x28	4x28
16 mm <sup>2</sup>	4x23	4x23
35 mm <sup>2</sup>	4x18	4x18



**Note** The assembly with modular terminals gives consideration to a distance of 10 mm from the end of each mounting rail. Order recommendations:  
TS 35 Mounting rail with clamping yoke technology WDU, spring-cage terminal ZDU or PUSH IN technology AZC  
TS 32 Mounting rail with clamping yoke technology SAK  
TS 15 Mounting rail with clamping yoke technology AKZ  
Order information for terminal blocks, please refer to online catalogue

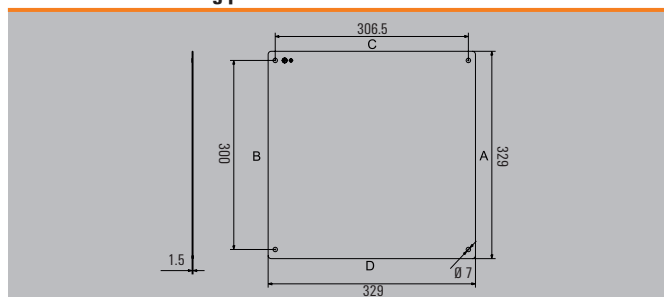
**Guide value for max. number of cable entries**

Cable entries	A / B	C / D
M12	112	112
M16	65	65
M20	40	40
M25	24	24
M32	21	21
M40	10	10
M50	8	8
M63	3	3
M75	2	2



**Note** Our IP 68 brass cable glands are used as the reference for these guideline values.

**Dimensions of mounting plate**





Height / Width / Depth 500 / 400 / 220 mm

**Ordering data**

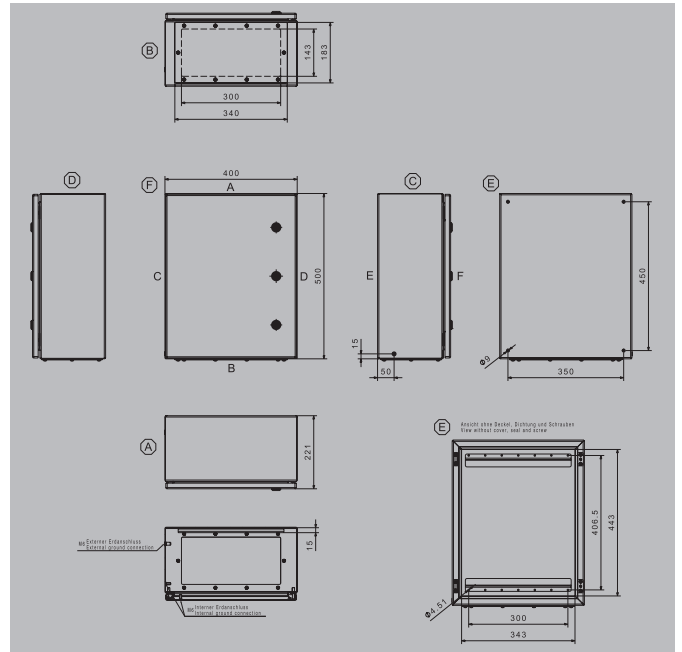
Stainless steel 1.4301 (304), brushed	Order No.
0 gland plates	2470750000
1 gland plate - positioned at the bottom (B)	2470860000

**Note**

**Accessories**

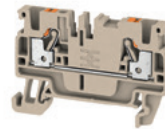
Mounting plates and fastening screws	Order No.
Steel sheet, zinc plated	1310440000
Stainless steel 1.4301 natural	1310350000
Fastening screws for terminal rails*	1274150000
Mounting rails**, TS35x7.5	
Vertical	8000037554
Stainless steel spacer M6 x 8, Set of 4	
10 mm length	0935110000
15 mm length	0935120000
20 mm length	0935130000
30 mm length	0935140000
Mild steel nickel plated Spacer M6 x 8, set of 2	
15 mm length	3896100000
20 mm length	3896200000
30 mm length	3896300000
Mounting feet, set containing 4 pieces each	
Stainless steel 1.4301 natural	1289180000
Pressure compensation elements	
Polyamide 6, M12	1868570000
Stainless steel 1.4305, M12	1868550000
Double-bit key	2473930000

**Note** \*Packing unit (PU) = 20 pcs., sufficient for 10 fixtures  
\*\*Packing unit (PU) = 20 pcs., fixing screws 1274150000 available separately



**Guide value for max. number of terminals (industry)**

Assembly with terminal	vertical	horizontal
2.5 mm <sup>2</sup>	4x75	6x56
4 mm <sup>2</sup>	4x63	6x47
6 mm <sup>2</sup>	4x47	6x35
10 mm <sup>2</sup>	4x38	6x28
16 mm <sup>2</sup>	4x32	6x23
35 mm <sup>2</sup>	4x24	6x18



**Note** The assembly with modular terminals gives consideration to a distance of 10 mm from the end of each mounting rail. Order recommendations:  
TS 35 Mounting rail with clamping yoke technology WDU, spring-cage terminal ZDU or PUSH IN technology AZC  
TS 32 Mounting rail with clamping yoke technology SAK  
TS 15 Mounting rail with clamping yoke technology AKZ  
Order information for terminal blocks, please refer to online catalogue

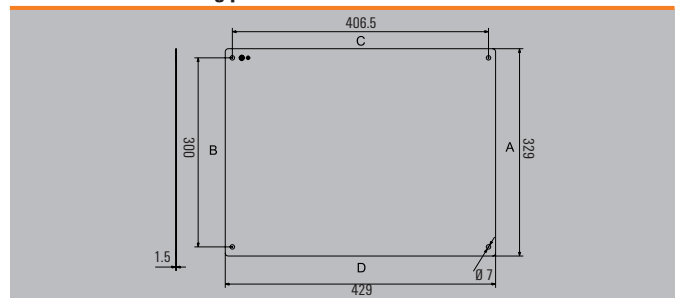
**Guide value for max. number of cable entries**

Cable entries	A / B	C / D
M12	112	140
M16	65	85
M20	40	52
M25	24	33
M32	21	27
M40	10	14
M50	8	10
M63	3	4
M75	2	3



**Note** Our IP 68 brass cable glands are used as the reference for these guideline values.

**Dimensions of mounting plate**





Height / Width / Depth 500 / 500 / 220 mm

**Ordering data**

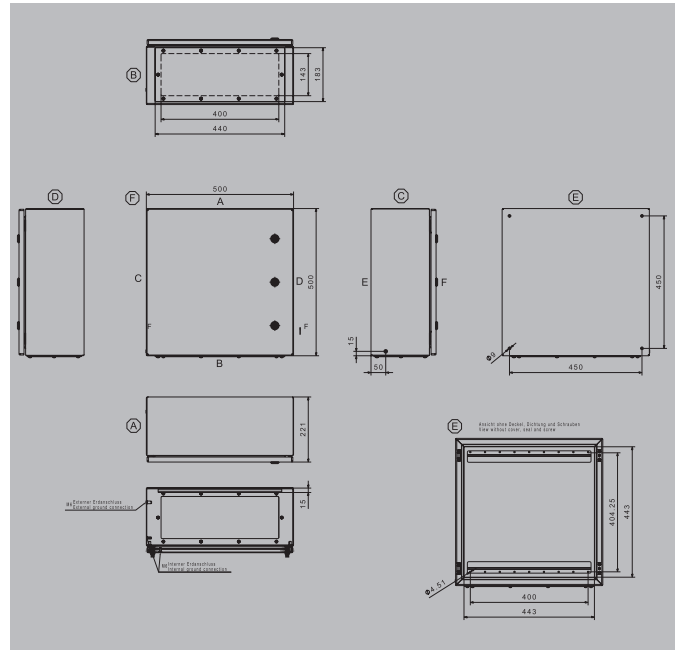
Stainless steel 1.4301 (304), brushed	Order No.
0 gland plates	2470760000
1 gland plate - positioned at the bottom (B)	2470870000

**Note**

**Accessories**

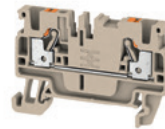
Mounting plates and fastening screws	Order No.
Steel sheet, zinc plated	1310450000
Stainless steel 1.4301 natural	1310360000
Fastening screws for terminal rails*	1274150000
Mounting rails**, TS35x7.5	
Vertical	8000037554
Stainless steel spacer M6 x 8, Set of 4	
10 mm length	0935110000
15 mm length	0935120000
20 mm length	0935130000
30 mm length	0935140000
Mild steel nickel plated Spacer M6 x 8, set of 2	
15 mm length	3896100000
20 mm length	3896200000
30 mm length	3896300000
Mounting feet, set containing 4 pieces each	
Stainless steel 1.4301 natural	1289180000
Pressure compensation elements	
Polyamide 6, M12	1868570000
Stainless steel 1.4305, M12	1868550000
Double-bit key	2473930000

**Note** \*Packing unit (PU) = 20 pcs., sufficient for 10 fixtures  
\*\*Packing unit (PU) = 20 pcs., fixing screws 1274150000 available separately



**Guide value for max. number of terminals (industry)**

Assembly with terminal	vertical	horizontal
2.5 mm <sup>2</sup>	6x75	6x75
4 mm <sup>2</sup>	6x63	6x63
6 mm <sup>2</sup>	6x47	6x47
10 mm <sup>2</sup>	6x38	6x38
16 mm <sup>2</sup>	6x32	6x32
35 mm <sup>2</sup>	6x24	6x24



**Note** The assembly with modular terminals gives consideration to a distance of 10 mm from the end of each mounting rail. Order recommendations:  
TS 35 Mounting rail with clamping yoke technology WDU, spring-cage terminal ZDU or PUSH IN technology AZC  
TS 32 Mounting rail with clamping yoke technology SAJ  
TS 15 Mounting rail with clamping yoke technology AKZ  
Order information for terminal blocks, please refer to online catalogue

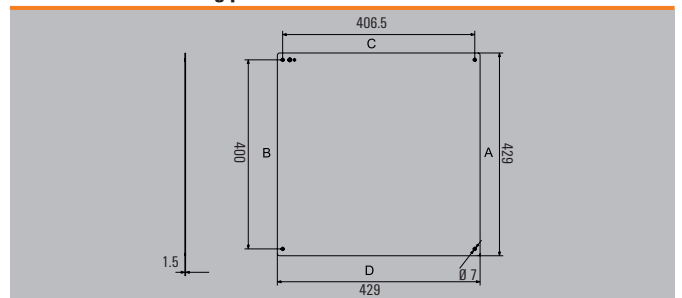
**Guide value for max. number of cable entries**

Cable entries	A / B	C / D
M12	140	140
M16	85	85
M20	52	52
M25	33	33
M32	27	27
M40	14	14
M50	10	10
M63	4	4
M75	3	3



**Note** Our IP 68 brass cable glands are used as the reference for these guideline values.

**Dimensions of mounting plate**





Height / Width / Depth 600 / 400 / 220 mm

**Ordering data**

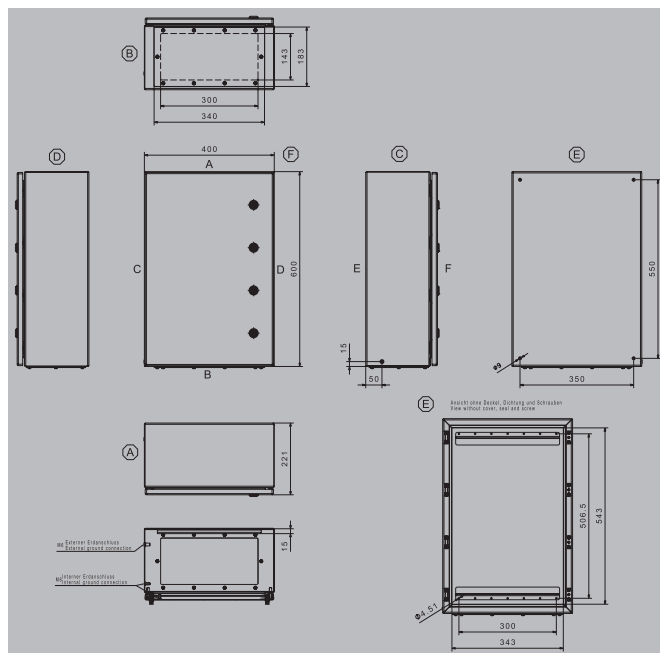
Stainless steel 1.4301 (304), brushed	Order No.
0 gland plates	2470770000
1 gland plate - positioned at the bottom (B)	2470880000

**Note**

**Accessories**

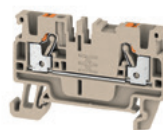
Mounting plates and fastening screws	Order No.
Steel sheet, zinc plated	1310460000
Stainless steel 1.4301 natural	1310370000
Fastening screws for terminal rails*	1274150000
Mounting rails**, TS35x7.5	
Vertical	8000037553
Stainless steel spacer M6 x 8, Set of 4	
10 mm length	0935110000
15 mm length	0935120000
20 mm length	0935130000
30 mm length	0935140000
Mild steel nickel plated Spacer M6 x 8, set of 2	
15 mm length	3896100000
20 mm length	3896200000
30 mm length	3896300000
Mounting feet, set containing 4 pieces each	
Stainless steel 1.4301 natural	1289180000
Pressure compensation elements	
Polyamide 6, M12	1868570000
Stainless steel 1.4305, M12	1868550000
Double-bit key	2473930000

**Note** \*Packing unit (PU) = 20 pcs., sufficient for 10 fixtures  
\*\*Packing unit (PU) = 20 pcs., fixing screws 1274150000 available separately



**Guide value for max. number of terminals (industry)**

Assembly with terminal	vertical	horizontal
2.5 mm <sup>2</sup>	4x94	8x56
4 mm <sup>2</sup>	4x79	8x47
6 mm <sup>2</sup>	4x60	8x35
10 mm <sup>2</sup>	4x48	8x28
16 mm <sup>2</sup>	4x40	8x23
35 mm <sup>2</sup>	4x30	8x18



**Note** The assembly with modular terminals gives consideration to a distance of 10 mm from the end of each mounting rail. Order recommendations:  
TS 35 Mounting rail with clamping yoke technology WDU, spring-cage terminal ZDU or PUSH IN technology AZC  
TS 32 Mounting rail with clamping yoke technology SAK  
TS 15 Mounting rail with clamping yoke technology AKZ  
Order information for terminal blocks, please refer to online catalogue

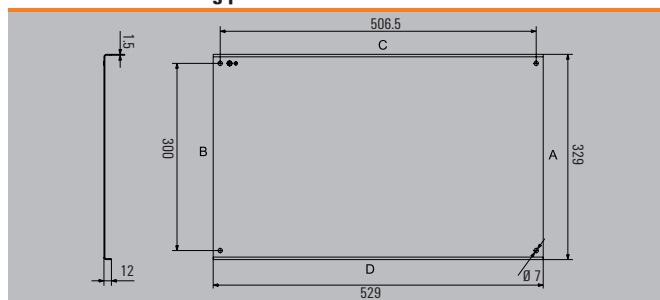
**Guide value for max. number of cable entries**

Cable entries	A / B	C / D
M12	112	176
M16	65	96
M20	40	64
M25	24	39
M32	21	33
M40	10	16
M50	8	14
M63	3	5
M75	2	4



**Note** Our IP 68 brass cable glands are used as the reference for these guideline values.

**Dimensions of mounting plate**





Height / Width / Depth 600 / 600 / 220 mm

**Ordering data**

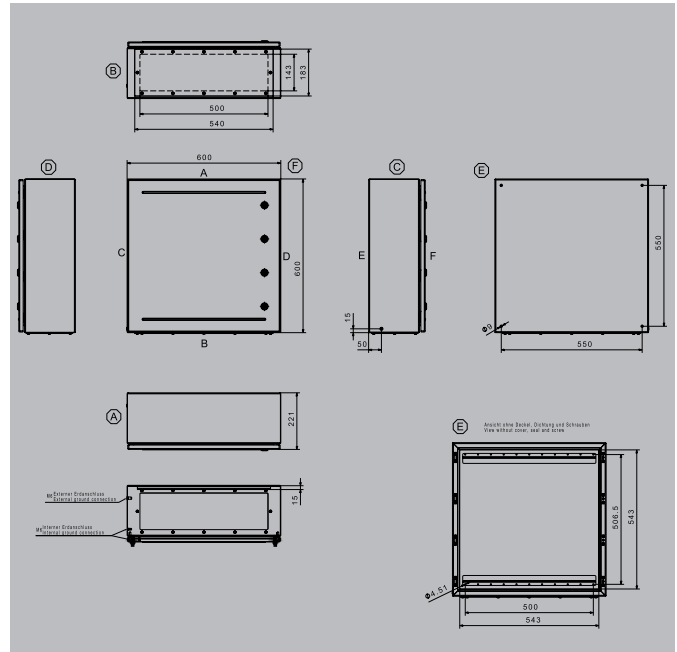
Stainless steel 1.4301 (304), brushed	Order No.
0 gland plates	2470780000
1 gland plate - positioned at the bottom (B)	2470890000

**Note**

**Accessories**

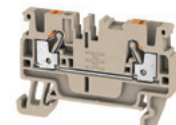
Mounting plates and fastening screws	Order No.
Steel sheet, zinc plated	1310470000
Stainless steel 1.4301 natural	1310380000
Fastening screws for terminal rails*	1274150000
Mounting rails**, TS35x7.5	
Vertical	8000037553
Stainless steel spacer M6 x 8, Set of 4	
10 mm length	0935110000
15 mm length	0935120000
20 mm length	0935130000
30 mm length	0935140000
Mild steel nickel plated Spacer M6 x 8, set of 2	
15 mm length	3896100000
20 mm length	3896200000
30 mm length	3896300000
Mounting feet, set containing 4 pieces each	
Stainless steel 1.4301 natural	1289180000
Pressure compensation elements	
Polyamide 6, M12	1868570000
Stainless steel 1.4305, M12	1868550000
Double-bit key	2473930000

**Note** \*Packing unit (PU) = 20 pcs., sufficient for 10 fixtures  
\*\*Packing unit (PU) = 20 pcs., fixing screws 1274150000 available separately



**Guide value for max. number of terminals (industry)**

Assembly with terminal	vertical	horizontal
2.5 mm <sup>2</sup>	8x94	8x94
4 mm <sup>2</sup>	8x79	8x79
6 mm <sup>2</sup>	8x60	8x60
10 mm <sup>2</sup>	8x48	8x48
16 mm <sup>2</sup>	8x40	8x40
35 mm <sup>2</sup>	8x30	8x30



**Note** The assembly with modular terminals gives consideration to a distance of 10 mm from the end of each mounting rail. Order recommendations:  
TS 35 Mounting rail with clamping yoke technology WDU, spring-cage terminal ZDU or PUSH IN technology AZC  
TS 32 Mounting rail with clamping yoke technology SAK  
TS 15 Mounting rail with clamping yoke technology AKZ  
Order information for terminal blocks, please refer to online catalogue

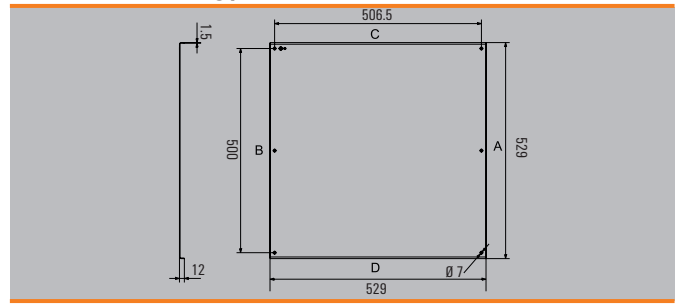
**Guide value for max. number of cable entries**

Cable entries	A / B	C / D
M12	165	176
M16	96	96
M20	64	64
M25	39	39
M32	33	33
M40	16	16
M50	14	14
M63	5	5
M75	4	4



**Note** Our IP 68 brass cable glands are used as the reference for these guideline values.

**Dimensions of mounting plate**





800 / 600 / 220 mm

**Ordering data**

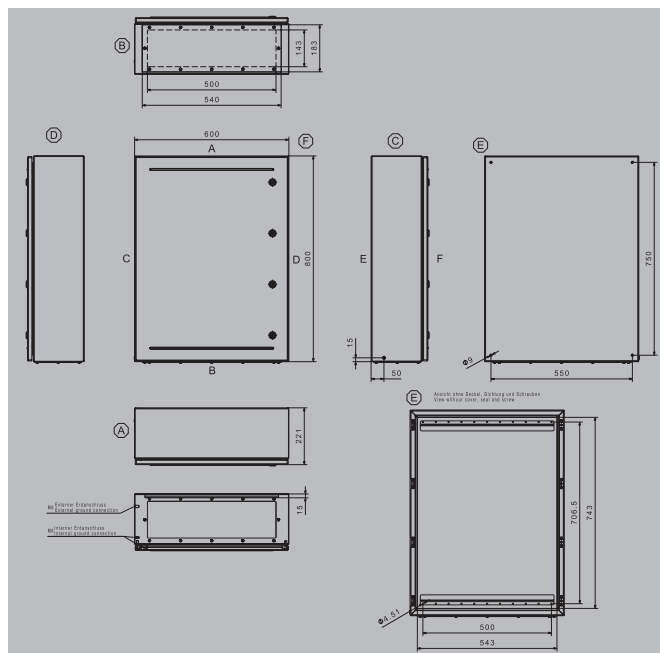
Stainless steel 1.4301 (304), brushed	Order No.
0 gland plates	2470790000
1 gland plate - positioned at the bottom (B)	2470900000

**Note**

**Accessories**

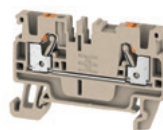
<b>Mounting plates and fastening screws</b>	Order No.
Steel sheet, zinc plated	1310480000
Stainless steel 1.4301 natural	1310390000
Fastening screws for terminal rails*	1274150000
<b>Mounting rails**, TS35x7.5</b>	
Vertical	8000037552
<b>Stainless steel spacer M6 x 8, Set of 4</b>	
10 mm length	0935110000
15 mm length	0935120000
20 mm length	0935130000
30 mm length	0935140000
<b>Mild steel nickel plated Spacer M6 x 8, set of 2</b>	
15 mm length	3896100000
20 mm length	3896200000
30 mm length	3896300000
<b>Mounting feet, set containing 4 pieces each</b>	
Stainless steel 1.4301 natural	1289180000
<b>Pressure compensation elements</b>	
Polyamide 6, M12	1868570000
Stainless steel 1.4305, M12	1868550000
<b>Double-bit key</b>	2473930000

**Note** \*Packing unit (PU) = 20 pcs., sufficient for 10 fixtures  
\*\*Packing unit (PU) = 20 pcs., fixing screws 1274150000 available separately



**Guide value for max. number of terminals (industry)**

Assembly with terminal	vertical	horizontal
2.5 mm <sup>2</sup>	8x133	11x94
4 mm <sup>2</sup>	8x111	11x79
6 mm <sup>2</sup>	8x84	11x60
10 mm <sup>2</sup>	8x67	11x48
16 mm <sup>2</sup>	8x56	11x40
35 mm <sup>2</sup>	8x42	11x30



**Note** The assembly with modular terminals gives consideration to a distance of 10 mm from the end of each mounting rail. Order recommendations: TS 35 Mounting rail with clamping yoke technology WDU, spring-cage terminal ZDU or PUSH IN technology AZC; TS 32 Mounting rail with clamping yoke technology SAK; TS 15 Mounting rail with clamping yoke technology AKZ. Order information for terminal blocks, please refer to online catalogue

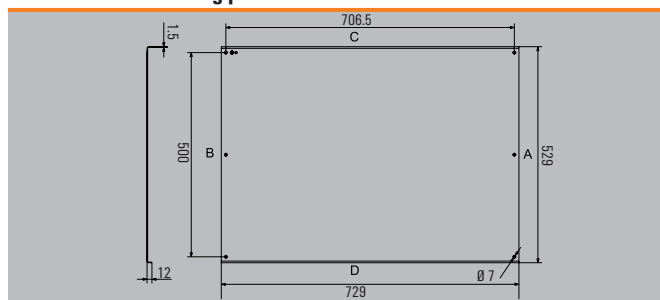
**Guide value for max. number of cable entries**

Cable entries	A / B	C / D
M12	165	222
M16	96	140
M20	64	88
M25	39	54
M32	33	45
M40	16	22
M50	14	18
M63	5	7
M75	4	5



**Note** Our IP 68 brass cable glands are used as the reference for these guideline values.

**Dimensions of mounting plate**







# Klippon® STB stainless and sheet steel enclosures

## Protection for industrial standard applications and potentially explosive atmospheres

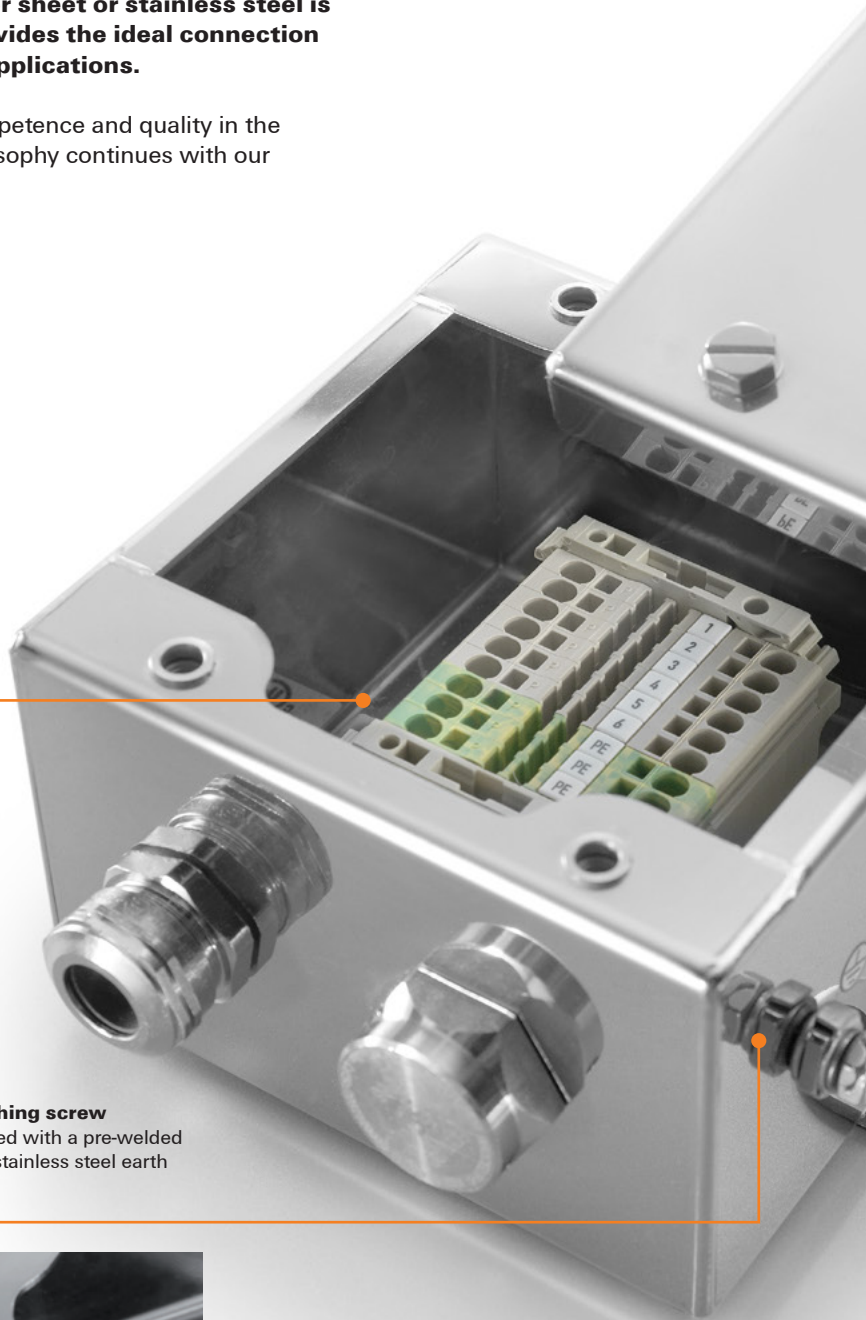
### C

The Klippon® STB range manufactured from either sheet or stainless steel is the perfectly designed Small Terminal Box. It provides the ideal connection point for either industrial or harsh environment applications.

The name Klippon® has long been synonymous for competence and quality in the supply of enclosures and customer solutions. This philosophy continues with our Klippon® STB range of enclosures.

#### Flexible, internal mounting options

Terminal rails can be installed on the industry standard mounting rails using the provided fixing set with welded C-profile (TAS 20). A maximum possible internal working area is provided while ensuring a stable and flexible area for the rail assembly.



#### Internal / external earthing screw

The enclosures are supplied with a pre-welded internal and external M6 stainless steel earth stud.



**Approvals**

Klippon® STB enclosures have the latest international approvals.



**Enhanced sealing performance**

The new silicon seal has impressive thermal properties and can withstand temperatures from -60 °C to +100 °C (+120 °C). Compression protection ensures the complete functionality of the seal.



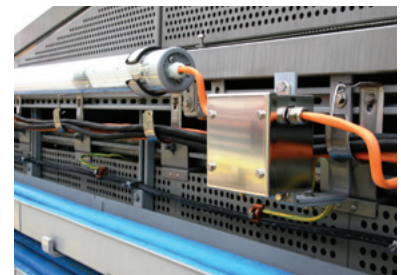
**Mounting lugs**

Mounting lugs are pre-fitted as standard. They are vibration and shock resistant and designed to be secure in operation.



**Industries**

Klippon® STB enclosures can be used in a variety of applications. For example, they are ideal for use in standard applications such as machine construction or transportation. They can also be used in explosive risk zones in the process and petrochemical industry.



**Customised solutions**

Weidmüller delivers enclosures in the Klippon® STB series connection ready. With Klippon Services, Weidmüller offers extensive consultation, engineering and installation services for modified enclosures. Depending on the customer- and industry-specific application, the enclosures can be modified and, subject to international specifications and regulations, sent worldwide together with a wide range of accessories.



# Klippon® STB – Small Terminal Box

## Steel enclosures

Ideally suited for the energy and process industry and transportation, the Klippon® STB range is the perfect complement to our existing Klippon® enclosure product line. Enclosures of this range comply with international standards.

Some of the many advantages of these cases are:

- Available in stainless steel or in steel sheet
- Higher temperature resistant seals than the standard
- Flexible options when mounting the internal rail
- The gasket is protected against compression; this ensures that a permanent and secure seal is maintained.
- Earth studs in the lid and in the enclosure base
- Lasered welding seams offer improved quality
- Delivered with welded mounting feet to ensure an sturdy enclosure installation

Weidmüller can manufacture and supply this enclosure to match customer specifications and fitted with all necessary terminals and cable glands.



**i** Use our online catalogue to find additional product details, technical information and additional services:  
[www.weidmueller.com/klipponstb](http://www.weidmueller.com/klipponstb)

**WMC** You can find this product family in our Weidmüller Configurator:  
[www.weidmueller.com/wmc](http://www.weidmueller.com/wmc)

## Overview of enclosures

### Ordering data

Description	Height x width x depth in mm	Mirror-polish	Electropolished	Powder-coated (RAL7032)
Klippon® STB 1	120 x 120 x 80	1002690000	1058810000	1024970000
Klippon® STB 1.1	150 x 120 x 80	1002750000	1058820000	1024980000
Klippon® STB 2	150 x 150 x 90	1002740000	1058830000	1024990000
Klippon® STB 2.1	190 x 150 x 90	1002730000	1058840000	1025010000
Klippon® STB 3	190 x 190 x 100	1002720000	1058850000	1025020000
Klippon® STB 4	250 x 250 x 120	1002710000	1058860000	1025030000
Klippon® STB 5	160 x 380 x 120	1002700000	1058880000	1025040000
Klippon® STB 6	250 x 400 x 130	1002760000	1058870000	1025050000
<b>Note</b>				

## Technical Overview

### Features

- Mirror-polished or electropolished stainless steel 1.4404 (316L) or powder coated steel sheet 1.0330
- Fitted with a welded, internal C-profile rail (TAS 20) and mounting feet
- Laser cut weld seams
- Approved according to the latest international standards

**Note** We deliver enclosures through our assembly service which are ready to be connected and suitable for every application

### Technical data

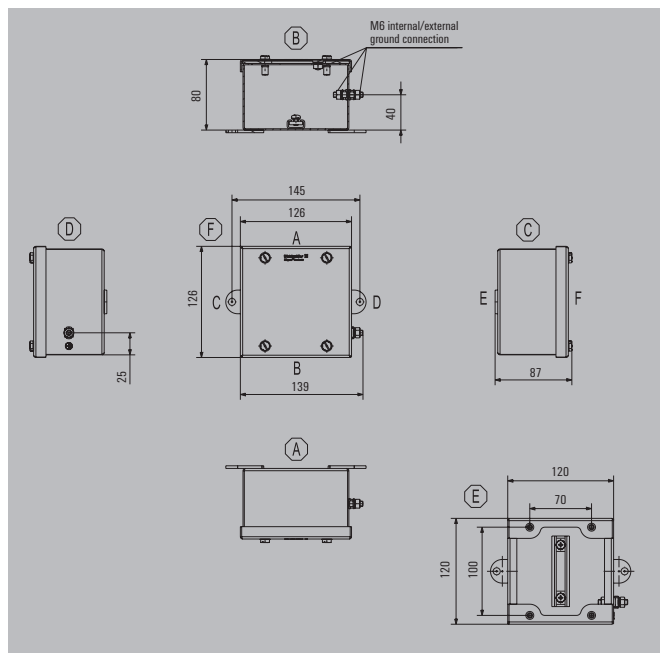
	Stainless steel	Sheet steel
Enclosure material	Stainless steel 1.4404 (316L) in 1.50 mm	Steel sheet 1.0330 in 1.50 mm
Surface finish	Mirror-polished, electropolished	Powder-coated RAL 7032
IP protection class	IP 66	IP 66
NEMA Rating	4, 4x	
Earthing	Enclosure base part: internal / external M6 stainless steel Lid: M6 x 10 stainless steel	Enclosure base part: internal / external M6 stainless steel Lid: M6 x 10 stainless steel
Installation mounting	Welded C-profile rail	Welded C-profile rail
Enclosure attachment	2 external mounting feet with 8 mm holes	2 external mounting feet with 8 mm holes
Lid opening	Completely removable lid with 4 x M5 screws	Completely removable lid with 4 x M5 screws
Impact resistance	7J in accordance with IEC 60079-0	10J industrial version in accordance with DIN EN 50102
Gasket material	Silicone -60 °C...+100 °C *	Silicone -60 °C...+120 °C
Lid screws, torque	2.5 Nm	2.5 Nm
<b>Note</b>	* +120 °C only for industrial applications	

### Approvals for empty enclosures

	Stainless steel	Sheet steel
ATEX certificate	IBExU07ATEX1147 U	
ATEX marking	Ⓜ II 2G Ex eb IIC Gb , Ⓜ II 1G Ex ia IIC Ga, Ⓜ II 2D Ex tb IIIC Db	
IECEx certificate	IECEx IBE 09.0018U	
IECEx marking	Ex eb IIC Gb, Ex ia IIC Ga, Ex tb IIIC Db	
AEx	E223792	
cULus	E197061 and E256877	
Lloyds Register	08/20032	08/20032
INMETRO	in preparation	
EAC	C-DE.HB07.B.00089/20 / C-DE.AJ54.B.00251/19	C-DE.HB07.B.00089/20 / C-DE.AJ54.B.00251/19
<b>Note</b>	This enclosure range is component certified. If other electrical components are inserted into the case, additional certification is required.	

### Approvals for control and distribution box

	Stainless steel		
ATEX certificate	IBExU07ATEX1148	INMETRO certificate	LMP 21.0018
ATEX marking	Ⓜ II 2G Ex eb IIC T6/T5/T4 Gb Ⓜ II 2(1)G Ex eb ia [Ga] IIC T6/T5/T4 Gb Ⓜ II 1G Ex ia IIC T6/T5/T4 Ga Ⓜ II 2D Ex tb IIIC T80°C/T95°C/T100°C Db -60°C ≤ Ta ≤ +40/+55/+60 °C	INMETRO marking	Ex eb IIC T6/T5/T4 Gb Ex e [ia Ga] IIC T6/T5/T4 Gb Ex ia IIC T6/T5/T4 Ga Ex tb IIIC T80°C/95°C/120°C Db IP66
IECEx certificate	IECEx IBE 09.0019	EAC certificate	C-DE.HB07.B.00089/20
IECEx marking	Ex eb IIC T6/T5/T4 Gb Ex eb ia [Ga] IIC T6/T5/T4 Gb Ex ia IIC T6/T5/T4 Ga Ex tb IIIC T80°C/T95°C/T100°C Db -60°C ≤ Ta ≤ +40/+55/+60 °C	EAC marking	1Ex e IIC/IIA T6/T5/T4 Gb 0Ex ia IIC/IIA T6/T5/T4 Ga 1Ex e [ia Ga] IIC/IIA T6/T5/T4 Gb Ex tb IIIC T80°C/T95°C/T135°C Db
KOSHA certificate	16-AV4B0-247X	AEx certificate	E223792
KOSHA marking	Ex eb IIC T6/T5/T4 Gb Ex eb ia [Ga] IIC T6/T5/T4 Gb Ex ia IIC T6/T5/T4 Ga Ex tb IIIC T80°C/T95°C/T100°C Db -60°C ≤ Ta ≤ +40/+55/+60 °C	AEx marking	Class I, Zone 1, AEx e IIC Gb T6..T4 Class I, Zone 2, AEx e IIC Gc T6..T4 Class I Div.2 Group A,B,C,D T6...T4 Class II Div.2 Group F,G Zone 21, AEx tb IIIC Db
<b>Note</b>	If you have specific requirements for equipment operating in explosive hazard areas, please contact us at Weidmüller to receive a full copy of the certification. For details of power dissipation, please contact your Weidmüller representative.		



Height / Width / Depth 120 / 120 / 80 mm

**Ordering data**

Stainless steel 1.4404 (316L)	Order No.
mirror-polished	1002690000
electro-polished	1058810000
Sheet steel, powder-coated (RAL 7032)	Order No.
powder-coated	1024970000

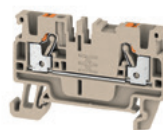
**Note** The colours of painted enclosures may vary under certain circumstances.

**Accessories**

Mounting rails, TS35x7.5	Order No.
Vertical	8683740000
Sliding fixing nut with screw	Order No.
M5	0433500000
Pressure compensation elements	Order No.
Polyamide 6, M12	1868570000
Stainless steel 1.4305, M12	1868550000
Pressure compensating element with drainage function	Order No.
M20, stainless steel 1.4404 (316L)	2519550000

**Guide value for max. number of terminals (industry)**

Assembly with terminal	vertical	horizontal
2.5 mm <sup>2</sup>	1x17	
4 mm <sup>2</sup>	1x14	
6 mm <sup>2</sup>	1x11	
10 mm <sup>2</sup>	1x8	
16 mm <sup>2</sup>	1x7	



**Note** The mounting rails are designed to be installed directly. Assembly with terminals provides for 10 mm clearance to the ends of the mounting rail. Recommended order: TS 35 Mounting rail with clamping yoke technology WDU, spring-cage terminal ZDU or PUSH IN technology AZC TS 32 Mounting rail with clamping yoke technology SAK TS 15 Mounting rail with clamping yoke technology AKZ Order information for terminal blocks, please refer to online catalogue

**Guide value for max. number of cable entries**

Cable entries	A / B	C / D
M12	10	8
M16	6	4
M20	6	4
M25	3	2
M32	2	1
M40	2	1
M50		
M63		

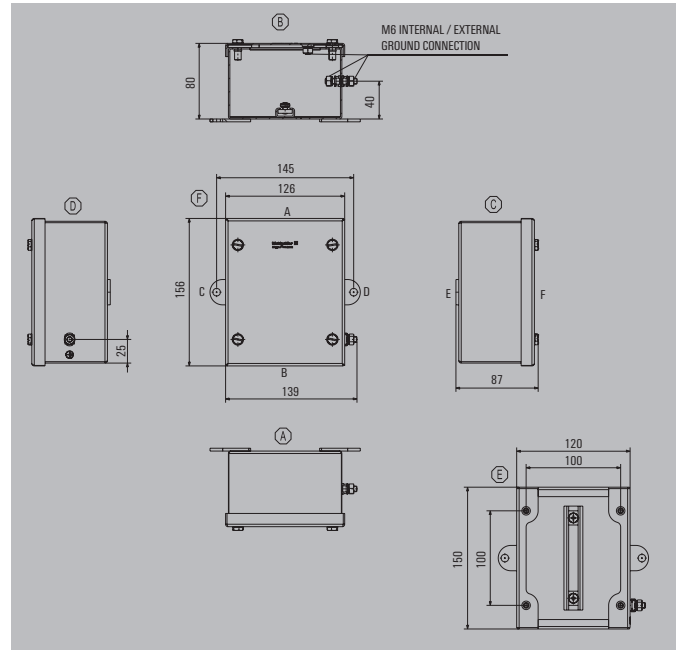


**Note**

**Note** The enclosure is supplied with a set of sliding fixing nuts, washer, screws M5, to fix the mounting rail TS 35 or TS 32 into the C-Profile.

Klippon® STB 1.1

Depth **80 mm**



Height / Width / Depth 150 / 120 / 80 mm

**Ordering data**

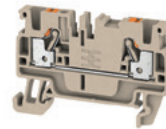
Stainless steel 1.4404 (316L)		Order No.
	mirror-polished	1002750000
	electro-polished	1058820000
Sheet steel, powder-coated (RAL 7032)		
	powder-coated	1024980000
<b>Note</b>	The colours of painted enclosures may vary under certain circumstances.	

**Accessories**

Mounting rails, TS35x7.5		Order No.
	Vertical	8683740000
Sliding fixing nut with screw		
	M5	0433500000
Pressure compensation elements		
	Polyamide 6, M12	1868570000
	Stainless steel 1.4305, M12	1868550000
Pressure compensating element with drainage function		
	M20, stainless steel 1.4404 (316L)	2519550000

**Guide value for max. number of terminals (industry)**

Assembly with terminal	vertical	horizontal
	2.5 mm <sup>2</sup>	1x23
	4 mm <sup>2</sup>	1x19
	6 mm <sup>2</sup>	1x14
	10 mm <sup>2</sup>	1x11
	16 mm <sup>2</sup>	1x9



**Note** The mounting rails are designed to be installed directly. Assembly with terminals provides for 10 mm clearance to the ends of the mounting rail. Recommended order: TS 35 Mounting rail with clamping yoke technology WDU, spring-cage terminal ZDU or PUSH IN technology AZC TS 32 Mounting rail with clamping yoke technology SAK TS 15 Mounting rail with clamping yoke technology AKZ Order information for terminal blocks, please refer to online catalogue

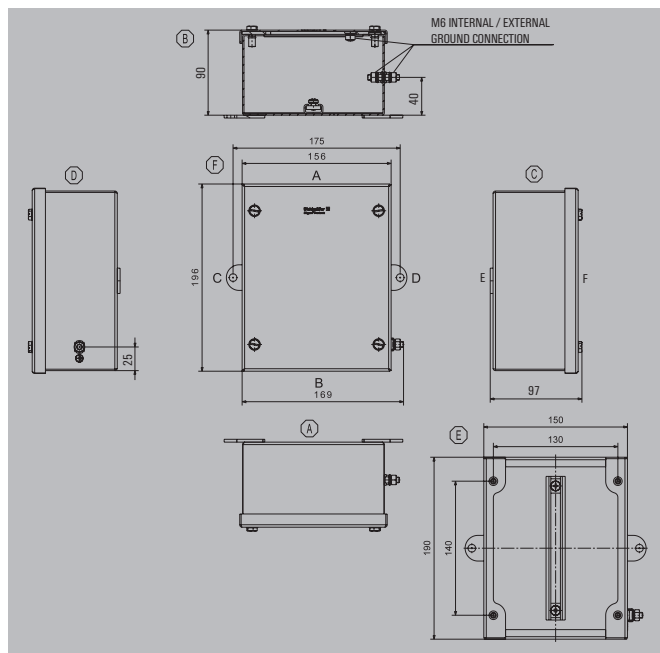
**Guide value for max. number of cable entries**

Cable entries	A / B	C / D
	M12	10
	M16	6
	M20	6
	M25	3
	M32	2
	M40	2
	M50	1
	M63	



**Note**

**Note** The enclosure is supplied with a set of sliding fixing nuts, washer, screws M5, to fix the mounting rail TS 35 or TS 32 into the C-Profile.



Height / Width / Depth 150 / 150 / 90 mm

**Ordering data**

Material	Finish	Order No.
Stainless steel 1.4404 (316L)	mirror-polished	1002740000
	electro-polished	1058830000
Sheet steel, powder-coated (RAL 7032)	powder-coated	1024990000

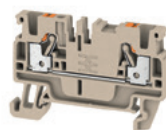
**Note** The colours of painted enclosures may vary under certain circumstances.

**Accessories**

Accessory	Order No.
Mounting rails, TS35x7.5	8683740000
Sliding fixing nut with screw	0433500000
Pressure compensation elements	
Polyamide 6, M12	1868570000
Stainless steel 1.4305, M12	1868550000
Pressure compensating element with drainage function	
M20, stainless steel 1.4404 (316L)	2519550000

**Guide value for max. number of terminals (industry)**

Assembly with terminal	vertical	horizontal
2.5 mm <sup>2</sup>	1x23	
4 mm <sup>2</sup>	1x19	
6 mm <sup>2</sup>	1x14	
10 mm <sup>2</sup>	1x11	
16 mm <sup>2</sup>	1x9	



**Note** The mounting rails are designed to be installed directly. Assembly with terminals provides for 10 mm clearance to the ends of the mounting rail. Recommended order: TS 35 Mounting rail with clamping yoke technology WDU, spring-cage terminal ZDU or PUSH IN technology AZC. TS 32 Mounting rail with clamping yoke technology SAK. TS 15 Mounting rail with clamping yoke technology AKZ. Order information for terminal blocks, please refer to online catalogue.

**Guide value for max. number of cable entries**

Cable entries	A / B	C / D
M12	15	15
M16	10	8
M20	8	6
M25	3	2
M32	3	2
M40	2	2
M50	1	1
M63		



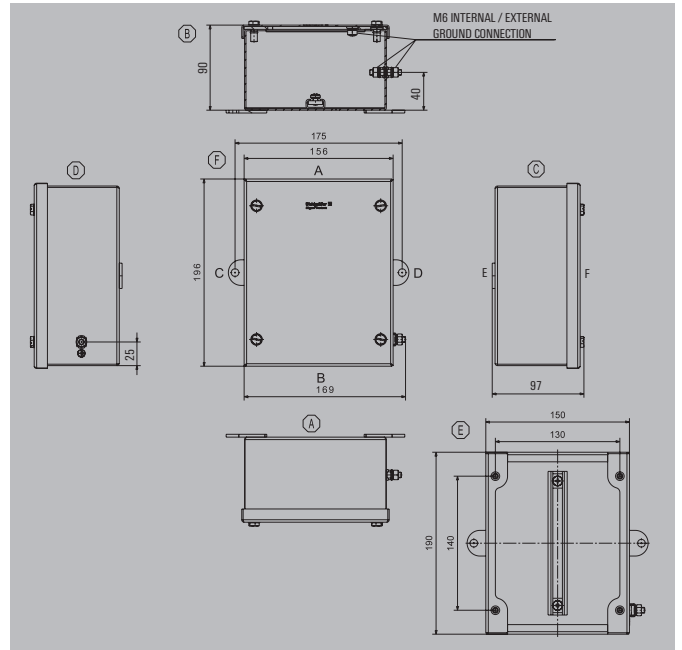
**Note**

**Note** The enclosure is supplied with a set of sliding fixing nuts, washer, screws M5, to fix the mounting rail TS 35 or TS 32 into the C-Profile.



Klippon® STB 2.1

Depth **90 mm**



Height / Width / Depth 190 / 150 / 90 mm

**Ordering data**

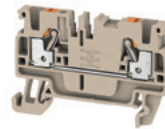
Stainless steel 1.4404 (316L)		Order No.
	mirror-polished	1002730000
	electro-polished	1058840000
Sheet steel, powder-coated (RAL 7032)		
	powder-coated	1025010000
<b>Note</b> The colours of painted enclosures may vary under certain circumstances.		

**Accessories**

Mounting rails, TS35x7.5		Order No.
	Vertical	1567660000
Sliding fixing nut with screw		
	M5	0433500000
Pressure compensation elements		
	Polyamide 6, M12	1868570000
	Stainless steel 1.4305, M12	1868550000
Pressure compensating element with drainage function		
	M20, stainless steel 1.4404 (316L)	2519550000

**Guide value for max. number of terminals (industry)**

Assembly with terminal	vertical	horizontal
	2.5 mm <sup>2</sup>	1x30
	4 mm <sup>2</sup>	1x25
	6 mm <sup>2</sup>	1x20
	10 mm <sup>2</sup>	1x15
	16 mm <sup>2</sup>	1x13



**Note** The mounting rails are designed to be installed directly. Assembly with terminals provides for 10 mm clearance to the ends of the mounting rail. Recommended order: TS 35 Mounting rail with clamping yoke technology WDU, spring-cage terminal ZDU or PUSH IN technology AZC TS 32 Mounting rail with clamping yoke technology SAK TS 15 Mounting rail with clamping yoke technology AKZ Order information for terminal blocks, please refer to online catalogue

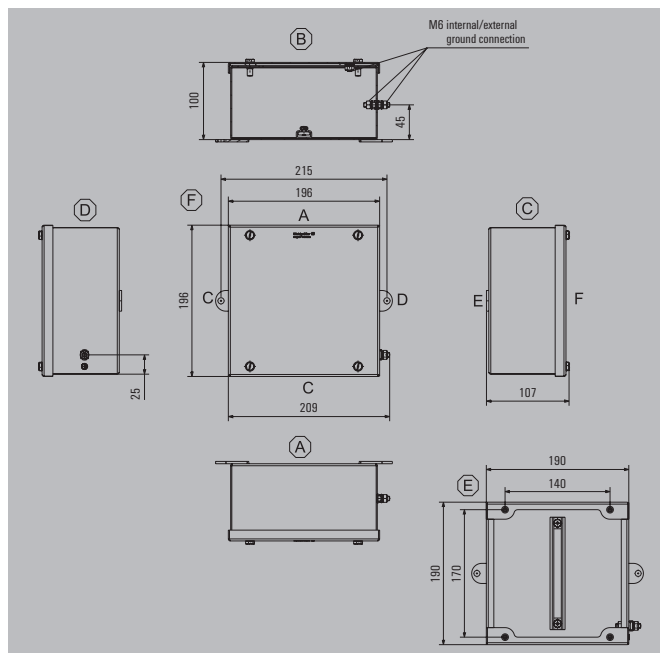
**Guide value for max. number of cable entries**

Cable entries	A / B	C / D
	M12	15
	M16	10
	M20	8
	M25	3
	M32	3
	M40	2
	M50	1
	M63	



**Note**

**Note** The enclosure is supplied with a set of sliding fixing nuts, washer, screws M5, to fix the mounting rail TS 35 or TS 32 into the C-Profile.



Height / Width / Depth 190 / 190 / 100 mm

**Ordering data**

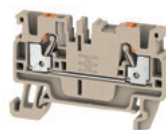
Stainless steel 1.4404 (316L)		Order No.
	mirror-polished	1002720000
	electro-polished	1058850000
Sheet steel, powder-coated (RAL 7032)		
	powder-coated	1025020000
<b>Note</b> The colours of painted enclosures may vary under certain circumstances.		

**Accessories**

Mounting rails, TS35x7.5		Order No.
	Vertical	1567660000
Sliding fixing nut with screw		
	M5	0433500000
Pressure compensation elements		
	Polyamide 6, M12	1868570000
	Stainless steel 1.4305, M12	1868550000
Pressure compensating element with drainage function		
	M20, stainless steel 1.4404 (316L)	2519550000

**Guide value for max. number of terminals (industry)**

Assembly with terminal	vertical	horizontal
	2.5 mm <sup>2</sup>	1x30
	4 mm <sup>2</sup>	1x25
	6 mm <sup>2</sup>	1x20
	10 mm <sup>2</sup>	1x15
	16 mm <sup>2</sup>	1x13



**Note** The mounting rails are designed to be installed directly. Assembly with terminals provides for 10 mm clearance to the ends of the mounting rail. Recommended order: TS 35 Mounting rail with clamping yoke technology WDU, spring-cage terminal ZDU or PUSH IN technology AZC TS 32 Mounting rail with clamping yoke technology SAK TS 15 Mounting rail with clamping yoke technology AKZ Order information for terminal blocks, please refer to online catalogue

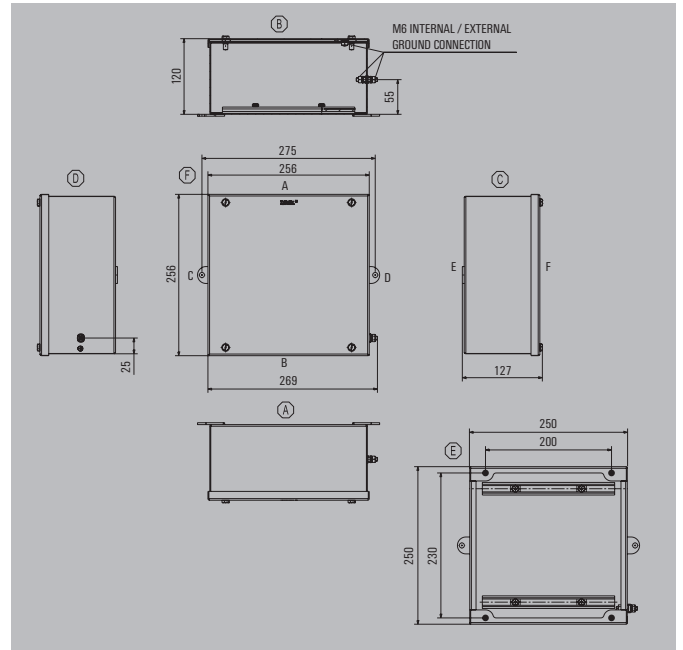
**Guide value for max. number of cable entries**

Cable entries	A / B	C / D
	M12	21
	M16	15
	M20	10
	M25	8
	M32	3
	M40	3
	M50	2
	M63	1



**Note**

**Note** The enclosure is supplied with a set of sliding fixing nuts, washer, screws M5, to fix the mounting rail TS 35 or TS 32 into the C-Profile.



Height / Width / Depth 250 / 250 / 120 mm

**Ordering data**

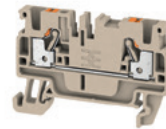
Stainless steel 1.4404 (316L)		Order No.
	mirror-polished	1002710000
	electro-polished	1058860000
Sheet steel, powder-coated (RAL 7032)		
	powder-coated	1025030000
<b>Note</b> The colours of painted enclosures may vary under certain circumstances.		

**Accessories**

Mounting rails, TS35x7.5		Order No.
	Horizontally	8563410000
	Vertical	8803610000
Sliding fixing nut with screw		
	M5	0433500000
Pressure compensation elements		
	Polyamide 6, M12	1868570000
	Stainless steel 1.4305, M12	1868550000
Pressure compensating element with drainage function		
	M20, stainless steel 1.4404 (316L)	2519550000

**Guide value for max. number of terminals (industry)**

Assembly with terminal	vertical	horizontal
2.5 mm <sup>2</sup>	2x42	2x42
4 mm <sup>2</sup>	2x35	2x35
6 mm <sup>2</sup>	2x27	2x27
10 mm <sup>2</sup>	2x22	2x22
16 mm <sup>2</sup>	2x18	2x18



**Note** The mounting rails are designed to be installed directly. Assembly with terminals provides for 10 mm clearance to the ends of the mounting rail. Recommended order: TS 35 Mounting rail with clamping yoke technology WDU, spring-cage terminal ZDU or PUSH IN technology AZC TS 32 Mounting rail with clamping yoke technology SAK TS 15 Mounting rail with clamping yoke technology AKZ Order information for terminal blocks, please refer to online catalogue

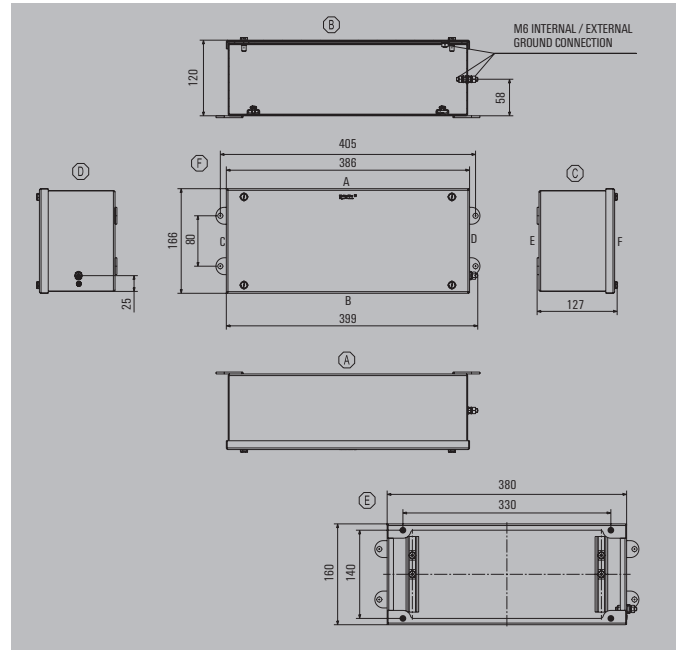
**Guide value for max. number of cable entries**

Cable entries	A / B	C / D
M12	24	24
M16	21	21
M20	12	12
M25	10	10
M32	8	8
M40	3	3
M50	3	2
M63	2	1



**Note**

**Note** The enclosure is supplied with a set of sliding fixing nuts, washer, screws M5, to fix the mounting rail TS 35 or TS 32 into the C-Profile.



Height / Width / Depth 160 / 380 / 120 mm

**Ordering data**

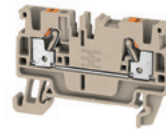
Stainless steel 1.4404 (316L)		Order No.
	mirror-polished	1002700000
	electro-polished	1058880000
Sheet steel, powder-coated (RAL 7032)		
	powder-coated	1025040000
<b>Note</b> The colours of painted enclosures may vary under certain circumstances.		

**Accessories**

Mounting rails, TS35x7.5		Order No.
	Horizontally	8563410000
	Vertical	8803610000
Sliding fixing nut with screw		
	M5	0433500000
Pressure compensation elements		
	Polyamide 6, M12	1868570000
	Stainless steel 1.4305, M12	1868550000
Pressure compensating element with drainage function		
	M20, stainless steel 1.4404 (316L)	2519550000

**Guide value for max. number of terminals (industry)**

Assembly with terminal	vertical	horizontal
2.5 mm <sup>2</sup>	3x25	1x68
4 mm <sup>2</sup>	3x21	1x57
6 mm <sup>2</sup>	3x16	1x44
10 mm <sup>2</sup>	3x12	1x35
16 mm <sup>2</sup>	3x10	1x29



**Note** The mounting rails are designed to be installed directly. Assembly with terminals provides for 10 mm clearance to the ends of the mounting rail. Recommended order: TS 35 Mounting rail with clamping yoke technology WDU, spring-cage terminal ZDU or PUSH IN technology AZC TS 32 Mounting rail with clamping yoke technology SAK TS 15 Mounting rail with clamping yoke technology AKZ Order information for terminal blocks, please refer to online catalogue

**Guide value for max. number of cable entries**

Cable entries	A / B	C / D
M12	64	20
M16	33	12
M20	30	12
M25	16	6
M32	10	4
M40	6	2
M50	4	1
M63	2	1

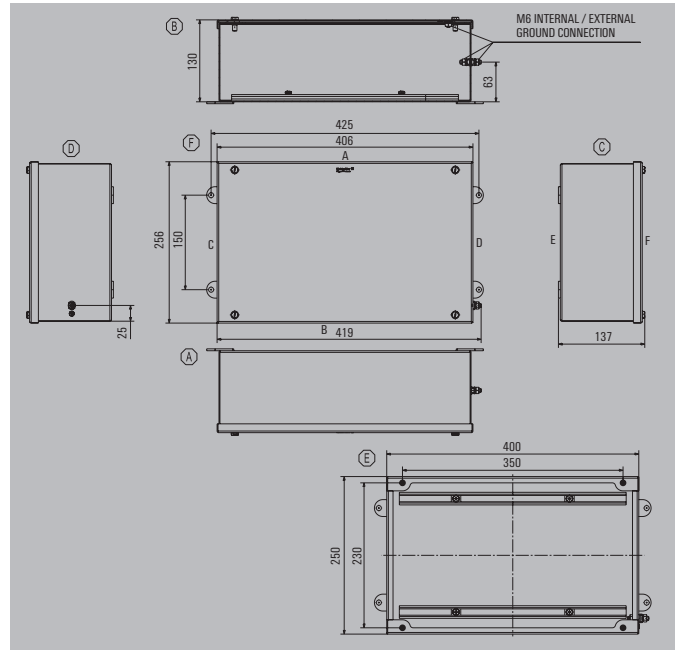


**Note**

**Note** The enclosure is supplied with a set of sliding fixing nuts, washer, screws M5, to fix the mounting rail TS 35 or TS 32 into the C-Profile.

Klippon® STB 6

Depth 130 mm



Height / Width / Depth 250 / 400 / 130 mm

**Ordering data**

Stainless steel 1.4404 (316L)	Order No.
mirror-polished	1002760000
electro-polished	1058870000
Sheet steel, powder-coated (RAL 7032)	Order No.
powder-coated	1025050000

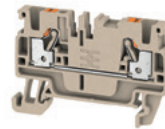
**Note** The colours of painted enclosures may vary under certain circumstances.

**Accessories**

Mounting rails, TS35x7.5	Order No.
Vertical	8803610000
Horizontally	8563410000
Sliding fixing nut with screw	Order No.
M5	0433500000
Pressure compensation elements	Order No.
Polyamide 6, M12	1868570000
Stainless steel 1.4305, M12	1868550000
Pressure compensating element with drainage function	Order No.
M20, stainless steel 1.4404 (316L)	2519550000

**Guide value for max. number of terminals (industry)**

Assembly with terminal	vertical	horizontal
2.5 mm <sup>2</sup>	3x42	2x72
4 mm <sup>2</sup>	3x35	2x60
6 mm <sup>2</sup>	3x27	2x46
10 mm <sup>2</sup>	3x22	2x37
16 mm <sup>2</sup>	3x18	2x30



**Note** The mounting rails are designed to be installed directly. Assembly with terminals provides for 10 mm clearance to the ends of the mounting rail. Recommended order: TS 35 Mounting rail with clamping yoke technology WDU, spring-cage terminal ZDU or PUSH IN technology AZC TS 32 Mounting rail with clamping yoke technology SAK TS 15 Mounting rail with clamping yoke technology AKZ Order information for terminal blocks, please refer to online catalogue

**Guide value for max. number of cable entries**

Cable entries	A / B	C / D
M12	64	36
M16	33	21
M20	30	18
M25	16	10
M32	10	8
M40	6	3
M50	4	2
M63	2	2



**Note**

**Note** The enclosure is supplied with a set of sliding fixing nuts, washer, screws M5, to fix the mounting rail TS 35 or TS 32 into the C-Profile.

# Klippon® Protect – Terminal Boxes

## Product overview Steel enclosures

Various types of terminal boxes are available for installing signal / power supplies or distributors in explosive risk zones.

The terminal boxes are explosion-protected equipment approved for use in Ex areas in zones 0, 1, 2 and 20, 21, 22.

They are certified in accordance with the latest international standards Ex e, Ex ia and Ex tb. Customer-specific configuration means these terminal boxes are the optimum solution for all applications. Use the product overview to find the right solution for you!

Combine the enclosure, with or without threaded holes, a suitable mounting rail or pre-fitted strip terminals.

We have put together a small selection for you, but we are happy to configure a bespoke solution for you.

### Features:

- Available in a wide range of versions to meet customer requirements
- Additional international approvals alongside IECEx, ATEX and EAC also available
- Increased quality thanks to the use of established basic products in the Klippon® brand



Use our online catalogue to find additional product details, technical information and additional services:

[www.weidmuller.com/externalbox](http://www.weidmuller.com/externalbox)

### Overview of enclosures

#### Terminal boxes based on the Klippon® STB range of enclosures

Description	Height x width x depth in mm	Marking	Approval	Order No.
STB 2 Exe	150 x 150 x 90	Ex eb IIC T6 Gb	IECEX, ATEX, EAC	8000028395
STB 3 Exe	190 x 190 x 100	Ex eb IIC T6 Gb	IECEX, ATEX, EAC	8000028396
STB 4 Exe	250 x 250 x 120	Ex eb IIC T6 Gb	IECEX, ATEX, EAC	8000028397
<b>Note</b>				

## Technical Overview

### Technical data

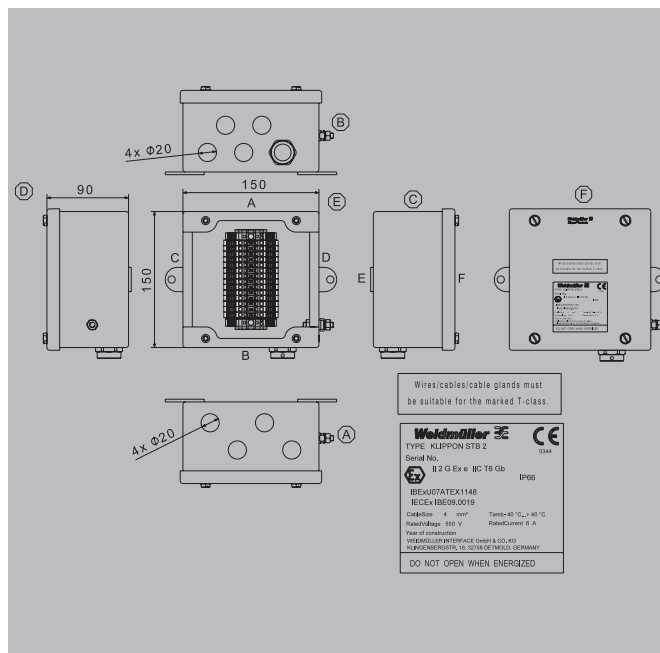
Enclosures	
Material	Stainless steel 1.4404 (316L) 1.5 mm
Surface finish	Mirror-polished (Klippon® STB)
IP protection class	IP66 to DIN EN 60529
Gasket material	Silicone
Terminal block	
Material	Wemid
Colour	beige, blue or green/yellow
Connection system	screw connection
Clampable wires (H05V/H07V)	solid, flexible and flexible with ferrule
<b>Note</b>	

### Approvals for Klippon® STB

ATEX certificate	IBExU07ATEX1148
IECEX certificate	IECEX IBE 09.0019
EAC certificate	C-DE.HB07.B.00089/20
<b>Note</b>	
Labelling depends on the application layout. For details of power dissipation, please contact your Weidmüller representative.	

Klippon® STB 2 Ex e terminal box

Depth 90 mm



Height / Width / Depth 150 / 150 / 90 mm

Ordering data

	Order No.
STB 2 EXE	8000028395

Note

Technical data

Article - short description	Klippon STB (Small Terminal Box), Terminal Box, stainless steel enclosure, Height: 150 mm, Width: 150 mm, Depth: 90 mm, Material: Stainless steel 1.4404 (316L), Mirror polished, silver
Identification	Ex eb IIC T6 Gb
Certificate no. Terminal Box (ATEX)	IBExU 07ATEX1148
Certificate no. Terminal Box (IECEX)	IECEX IBE09.0019
Standards	IEC 60079-0, IEC 60079-7, IEC 60079-11, IEC 60079-31, EN 60079-0, EN 60079-7, EN 60079-11, EN 60079-31
Ambient temperature	Tamb -40°C...+40°C
Type label material	Polyester coated with aluminium
Protection class	IP66
<b>Assembly</b>	
Modular terminal blocks	1x14
Rated cross-section	4 mm²
Rated voltage	550 V
Rated current	6 A
Drill holes side A	4 x M20
Drill holes side B	4 x M20, 1 x BDX
<b>Technical data, enclosure</b>	
Material	Stainless steel 1.4404 (316L)
Surface finish	Mirror polished
Material thickness	1.5 mm
Seal material	Silicone
Enclosure attachment	Welded-on mounting foot with 8-mm holes
Mounting dimension - height / -width	75 mm / 175 mm
Lid attachment	M5 hex-head slotted screws SW10
Access opening: width / Access opening: height	130 mm / 130 mm
Earth, enclosure, external	Welded-on M6 x 16 stainless-steel bolts
Earth, enclosure, internal	Welded-on M6 x 16 stainless-steel bolts

Note

Reference products

	Order No.
KLIPPON STB 2 SS	1002740000
WDU 4	1020100000
KLIPPON BDX M20 S	2519550000

Note

Accessories

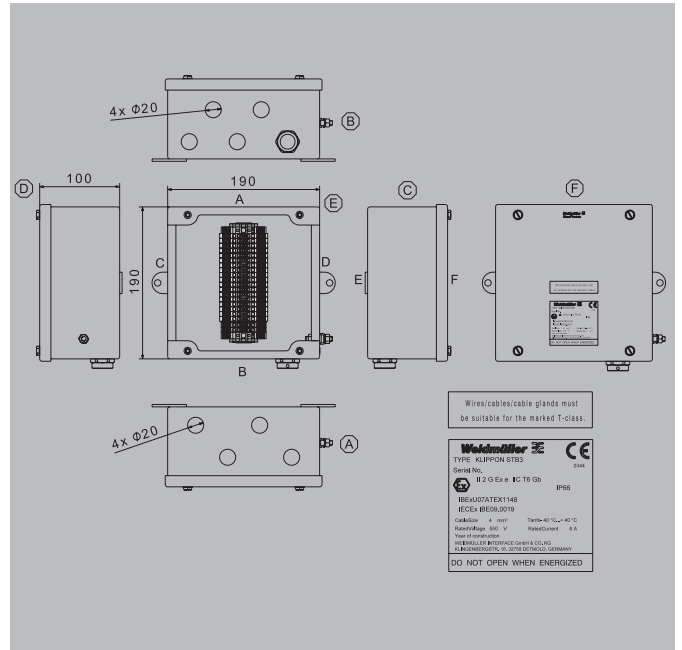
<b>Pressure compensating element with drainage function</b>	Order No.
M20, brass	2519520000
<b>Cable glands</b>	Nickel-plated brass, Ex e, M20, 3-12 mm
	1460050000
<b>Blanking plugs</b>	Nickel-plated brass, Ex e, M20
	1218950000
<b>Locknuts</b>	Nickel-plated brass, M20
	1737000000

Note



Klippon® STB 3 Ex e terminal box

Depth 100 mm



Height / Width / Depth 190 / 190 / 100 mm

Ordering data

	Order No.
STB 3 EXE	8000028396

Note

Technical data

Article - short description	Klippon STB (Small Terminal Box), Terminal Box, stainless steel enclosure, Height: 190 mm, Width: 190 mm, Depth: 100 mm, Material: Stainless steel 1.4404 (316L), Mirror polished, silver
Identification	Ex eb IIC T6 Gb
Certificate no. Terminal Box (ATEX)	IBExU 07ATEX1148
Certificate no. Terminal Box (IECEX)	IECEX IBE09.0019
Standards	IEC 60079-0, IEC 60079-7, IEC 60079-11, IEC 60079-31, EN 60079-0, EN 60079-7, EN 60079-11, EN 60079-31
Ambient temperature	Tamb -40°C...+40°C
Type label material	Polyester coated with aluminium
Protection class	IP66
<b>Assembly</b>	
Modular terminal blocks	1x18, 2 x PE
Rated cross-section	4 mm²
Rated voltage	550 V
Rated current	6 A
Drill holes side A	4 x M20
Drill holes side B	4 x M20, 1 x BDX
<b>Technical data, enclosure</b>	
Material	Stainless steel 1.4404 (316L)
Surface finish	Mirror polished
Material thickness	1.5 mm
Seal material	Silicone
Enclosure attachment	Welded-on mounting foot with 8-mm holes
Mounting dimension - height / -width	95 mm / 215 mm
Lid attachment	M5 hex-head slotted screws SW10
Access opening: width / Access opening: height	170 mm / 170 mm
Earth, enclosure, external	Welded-on M6 x 16 stainless-steel bolts
Earth, enclosure, internal	Welded-on M6 x 16 stainless-steel bolts

Note

Reference products

	Order No.
KLIPPON STB 3 SS	1002720000
WDU 4	1020100000
WPE 4	1010100000
KLIPPON BDM M20 S	2519550000

Note

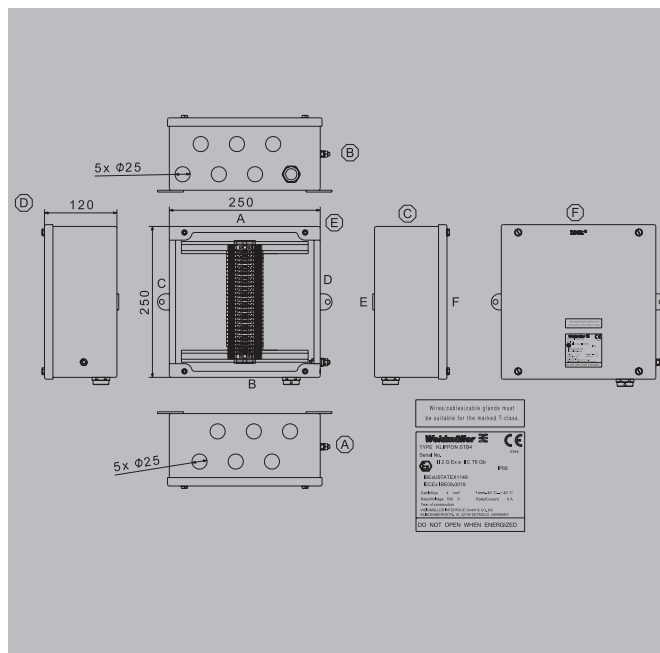
Accessories

<b>Pressure compensating element with drainage function</b>		Order No.
	M20, brass	2519520000
<b>Cable glands</b>	Nickel-plated brass, Ex e, M20, 3-12 mm	1460050000
<b>Blanking plugs</b>	Nickel-plated brass, Ex e, M20	1218950000
<b>Locknuts</b>	Nickel-plated brass, M20	1737000000

Note

Klippon® STB 4 Ex e terminal box

Depth 120 mm



250 / 250 / 120 mm

Ordering data

	Order No.
STB 4 EXE	8000028397

Note

Technical data

Article - short description	Klippon STB (Small Terminal Box), Terminal Box, stainless steel enclosure, Height: 250 mm, Width: 250 mm, Depth: 120 mm, Material: Stainless steel 1.4404 (316L), Mirror polished, silver
Identification	Ex eb IIC T6 Gb
Certificate no. Terminal Box (ATEX)	IBExU 07ATEX1148
Certificate no. Terminal Box (IECEx)	IECEx IBE09.0019
Standards	IEC 60079-0, IEC 60079-7, IEC 60079-11, IEC 60079-31, EN 60079-0, EN 60079-7, EN 60079-11, EN 60079-31
Ambient temperature	Tamb -40°C...+40°C
Type label material	Polyester coated with aluminium
Protection class	IP66
<b>Assembly</b>	
Modular terminal blocks	1x26, 2 x PE
Rated cross-section	4 mm <sup>2</sup>
Rated voltage	550 V
Rated current	6 A
Drill holes side A	6 x M25
Drill holes side B	6 x M25, 1 x BDX
<b>Technical data, enclosure</b>	
Material	Stainless steel 1.4404 (316L)
Surface finish	Mirror polished
Material thickness	1.5 mm
Seal material	Silicone
Enclosure attachment	Welded-on mounting foot with 8-mm holes
Mounting dimension - height / -width	125 mm / 275 mm
Lid attachment	M5 hex-head slotted screws SW10
Access opening: width / Access opening: height	230 mm / 230 mm
Earth, enclosure, external	Welded-on M6 x 16 stainless-steel bolts
Earth, enclosure, internal	Welded-on M6 x 16 stainless-steel bolts

Note

Reference products

	Order No.
KLIPPON STB 4 SS	1002710000
WDU 4	1020100000
WPE 4	1010100000
KLIPPON BDX M20 S	2519550000

Note

Accessories

	Order No.
<b>Pressure compensating element with drainage function</b>	
M20, brass	2519520000
<b>Cable glands</b>	
Nickel-plated brass, Ex e, M25, 10-18 mm	1460070000
<b>Blanking plugs</b>	
Nickel-plated brass, Ex e, M25	1218960000
<b>Locknuts</b>	
Nickel-plated brass, M25	1737010000

Note



## Safely control work processes in hazardous areas on site

### With certified enclosure solutions with control and display elements

Harsh industrial environments and hazardous areas, such as in the oil and gas industry, place extreme demands on the safety, the robustness and quality of products and devices.

We meet these challenges with the Klippon® Control Station, the addition to our range of customised enclosure solutions. More than 50 years of expertise have made us market leader in this area with global competence centres. The basis of our enclosure solutions is provided by the usual Weidmüller quality and comprehensive approvals for explosion hazard areas. Based on this, our sturdy “on-site control station” is available in two standard sizes and with up to four control and display elements and provides a flexible solution to meet your specific needs.

Order your distributor enclosure as well as control and signaling units from a single source and from one enclosure design – for reliable security and reduced storage costs for maintenance and repair operations.

#### Your special advantages:

##### Ideal for urgent service calls

We have prepared moduls of the proven Klippon® enclosure series STB available for you for further processing. This means we manufacture a control solution suitable for your application at short notice.



Predestined for emergency shutdown applications: Klippon® Control Stations score when it comes to the safe shutdown of plant sections, such as in the process industry

**Project solutions from a single source**

Obtain command/signaling units and distribution and control boxes as a complete solution – tailored to the individual requirements of your projects in hazardous areas.

**Customised assembly**

In addition to standard types from stock, you can obtain enclosure solutions from us that are completely assembled and equipped according to customer requirements.



**A variety of sizes and materials**

Enclosures in stainless steel, aluminium or polyester are available for different environmental conditions. Depending on the size of the enclosure, it provides space for the integration of up to four control and display elements.

**International certificates**

The Klippon® Control Station is tested and certified among others according to ATEX and IECEx.



## Durability for maximum requirements

# Klippon® Protect sets the highest standards with stainless steel enclosures

The enclosure ranges Klippon® TB and Klippon® STB are offered in stainless steel and boost market leading performance characteristics, which even allow them to meet the demanding requirements for use with the harshest environments. The enclosures are certified and comply with the latest international standards – including ATEX and IECEx.

### C

#### Additional features:

- Standard silicone seals for use in extreme temperature environments
- High Ingress Performance - IP66
- Welded-on mounting feet for wall mounting



#### Technical data

Technical data	Stainless steel
Material	Stainless steel 1.4404 (316L) 1.50 mm
Surface finish	Mirror-polished
Colour	Natural
IP protection class	IP 54; IP 66
Ambient temperature	-55 °C to 55 °C
Seal material of enclosure	Silicone
Seal material of command and signalling units	EPDM
Flammability rating	-
Impact resistance IK	7 joules in acc. with IEC60079-0 4 joules in acc. with IEC60079-0 with integrated illuminated pushbutton or light module
Cable gland material	Nickel-plated brass
Cable gland clamping area min. - max. in mm	
M20	3-12 mm
M25	10-18 mm
Max. rated cross-section	2.5 mm <sup>2</sup>
Max. operating voltage with integrated illuminated pushbutton or light module	400 V
Maximum operating current at 40 °C ambient temperature	250 V
1.5 mm <sup>2</sup> - T6	10 A
1.5 mm <sup>2</sup> - T5	16 A
2.5 mm <sup>2</sup> - T6	16 A
Maximum operating current at 55 °C ambient temperature	
1.5 mm <sup>2</sup> - T4	16 A
1.5 mm <sup>2</sup> - T5	10 A
2.5 mm <sup>2</sup> - T5	16 A
Temperature class	T4, T5, T6
Type of mounting	Wall mounting
Earthing inside	M6x10 earthing studs integrated in the cover, stainless steel
Lid attachment	Hexagonal slothead screws SW10
Lid screw torque	2.5 Nm
Earthing torque	7.5 Nm
Earthing outside	M6 earthing studs, stainless steel
Approvals	IECExITA14.0013X TUEV14ATEX7606X
Marking	2G Ex e d IIC T* Gb 2G Ex ib d [ia] IIC T* Gb 2D Ex tb IIC T80/100 °C Db
Mounting feet	2 welded-on mounting feet with 8 mm holes



Use our online catalogue to find additional product details, technical information and additional services:

[www.weidmueller.com/klipponcontrolstation](http://www.weidmueller.com/klipponcontrolstation)



	Number of built-in components			Emergency stop pushbutton	Key switch	Pushbutton		Illuminated push button		Light module		Dimensions with built-in components HxWxD in mm	Designation	Cable gland	Order number		
	•	••	•••	red	I - 0 - II	red	green	red	green	red	green						
Stainless steel	•			1								150x120x119	KLIPPON CS STB 1-1	VG M20	1537200000		
	•						1					150x120x95	KLIPPON CS STB 1-1	VG M20	1537210000		
	•				1							150x120x109	KLIPPON CS STB 1-1	VG M20	1537220000		
	•								1			150x120x96	KLIPPON CS STB 1-1	VG M20	1537230000		
	•			1								153x120x119	KLIPPON CS STB 1-2	VG M25	1537240000		
	•							1				153x120x95	KLIPPON CS STB 1-2	VG M25	1537250000		
	•				1							153x120x109	KLIPPON CS STB 1-2	VG M25	1537280000		
	•									1			153x120x96	KLIPPON CS STB 1-2	VG M25	1537290000	
	•	•					1	1					223x150x95	KLIPPON CS STB 2.1-2	VG M25	1537300000	
	•	•							1		1		223x150x103	KLIPPON CS STB 2.1-2	VG M25	1537310000	
	•	•		1							1		223x150x119	KLIPPON CS STB 2.1-2	VG M25	1537320000	
	•		•				1	2					223x150x95	KLIPPON CS STB 2.1-6	VG M25	1537330000	
	•		•				1	1		1			223x150x103	KLIPPON CS STB 2.1-7	VG M25	1537340000	
	•		•	1			1	1					220x150x119	KLIPPON CS STB 2.1-7	VG M20	1537370000	

**Klippon® CS STB 1-1**



**Klippon® CS STB 1-1**



**Technical data**

<b>Enclosure</b>	
Dimensions with installation (HxBxD)	
Material	
<b>General characteristics</b>	
Surface finish / Colour	
Protection class	
Ambient temperature	
Impact resistance	
Enclosure seal material	
Seal material of operating and display elements	
Type of mounting	
Internal earth	
External earth	
Lid attachment	
Torque for lid screws	
Earth stud torque	
<b>Electrical properties*</b>	
Wire connection cross section, finely stranded, max.	
Operating voltage, max.	
Temperature class	
<b>Enclosure assembly</b>	
1 Position in enclosure	
2 Position in enclosure	
3 Position in enclosure	
4 Position in enclosure	
Contact design	
Actuators	
Actuator colour	
Illumination module colour	
Illuminated button actuator colour	
<b>Cable entries</b>	
Drill holes side B	
Cable gland	
Clamping range min. / max.	
<b>Approval and Marking</b>	
Standards	
Certificate No. (IECEX)	
Certificate No. (ATEX)	
Certificate No. (EAC)	
Marking	

Dimensions with installation (HxBxD)	150 / 120 / 119 mm
Material	Stainless steel 1.4404 (316L)
Surface finish / Colour	Mirror polished / Natural
Protection class	IP54, IP66
Ambient temperature	-55 °C...+55 °C
Impact resistance	7 joules in acc. with IEC 60079-0
Enclosure seal material	Silicone (VMQ)
Seal material of operating and display elements	EPDM
Type of mounting	Wall mounting
Internal earth	M6 x 10 earthing studs integrated in the lid, stainless steel
External earth	M6 earthing studs, stainless steel
Lid attachment	M5 hexagonal screw with slot and 10mm distance across flats
Torque for lid screws	2.5 Nm
Earth stud torque	7.5 Nm
Wire connection cross section, finely stranded, max.	2.5 mm <sup>2</sup>
Operating voltage, max.	400 V
Temperature class	T4, T5, T6
1 Position in enclosure	EMERGENCY-STOP pushbutton with yellow, contrasting label
2 Position in enclosure	
3 Position in enclosure	
4 Position in enclosure	
Contact design	2 NC contact, positive opening contacts
Actuators	EMERGENCY STOP pushbutton
Actuator colour	red
Illumination module colour	
Illuminated button actuator colour	
Drill holes side B	1 x M20
Cable gland	1460050000 - VG M20 EXE MS
Clamping range min. / max.	3 mm / 12 mm
Standards	IEC 60079-0, IEC 60079-7, IEC 60079-31
Certificate No. (IECEX)	IECEXITA14.0013X
Certificate No. (ATEX)	TUEV14ATEX7606X
Certificate No. (EAC)	RUC-DE.08.B.00472
Marking	II 2 G Ex d e IIC T* Gb II 2 D Ex tb IIIC T*°C Db

Dimensions with installation (HxBxD)	150 / 120 / 95 mm
Material	Stainless steel 1.4404 (316L)
Surface finish / Colour	Mirror polished / Natural
Protection class	IP54, IP66
Ambient temperature	-55 °C...+55 °C
Impact resistance	7 joules in acc. with IEC 60079-0
Enclosure seal material	Silicone (VMQ)
Seal material of operating and display elements	EPDM
Type of mounting	Wall mounting
Internal earth	M6 x 10 earthing studs integrated in the lid, stainless steel
External earth	M6 earthing studs, stainless steel
Lid attachment	M5 hexagonal screw with slot and 10mm distance across flats
Torque for lid screws	2.5 Nm
Earth stud torque	7.5 Nm
Wire connection cross section, finely stranded, max.	2.5 mm <sup>2</sup>
Operating voltage, max.	400 V
Temperature class	T4, T5, T6
1 Position in enclosure	Pushbutton - green
2 Position in enclosure	
3 Position in enclosure	
4 Position in enclosure	
Contact design	1 NC contact, 1 NO contacts
Actuators	Pushbutton
Actuator colour	green
Illumination module colour	
Illuminated button actuator colour	
Drill holes side B	1 x M20
Cable gland	1460050000 - VG M20 EXE MS
Clamping range min. / max.	3 mm / 12 mm
Standards	IEC 60079-0, IEC 60079-7, IEC 60079-31
Certificate No. (IECEX)	IECEXITA14.0013X
Certificate No. (ATEX)	TUEV14ATEX7606X
Certificate No. (EAC)	RUC-DE.TB08.B.01838
Marking	II 2 G Ex d e IIC T* Gb II 2 D Ex tb IIIC T*°C Db

<b>Note</b>	
-------------	--

**Ordering data**

<b>Type</b>	<b>Qty.</b>	<b>Order No.</b>
KLIPPON CS STB 1-1	1	1537200000

<b>Type</b>	<b>Qty.</b>	<b>Order No.</b>
KLIPPON CS STB 1-1	1	1537210000

<b>Note</b>	*Other temperature classes and connection values on request, or see "Notice to Installer".
-------------	--

<b>Note</b>	*Other temperature classes and connection values on request, or see "Notice to Installer".
-------------	--



Klippon® CS STB 1-1



150 / 120 / 109 mm
Stainless steel 1.4404 (316L)
Mirror polished / Natural
IP54, IP66
-55 °C...+55 °C
7 joules in acc. with IEC 60079-0
Silicone (VMQ)
EPDM
Wall mounting
M6 x 10 earthing studs integrated in the lid, stainless steel
M6 earthing studs, stainless steel
M5 hexagonal screw with slot and 10mm distance across flats
2.5 Nm
7.5 Nm
2.5 mm <sup>2</sup>
400 V
T4, T5, T6
Key-operated switch
1 NC contact, 1 NO contacts
Key-operated switch, 3 switching positions, I - 0 - II, (I + II), latching, Key retractable
1 x M20
1460050000 - VG M20 EXE MS
3 mm / 12 mm
IEC 60079-0, IEC 60079-7, IEC 60079-31
IECEXITA14.0013X
TUEV14ATEX7606X
RUC-DE.TB08.B.01838
II 2 G Ex d e IIC T* Gb
II 2 D Ex tb IIIC T*°C Db

Type	Qty.	Order No.
KLIPPON CS STB 1-1	1	1537220000

\*Other temperature classes and connection values on request, or see "Notice to Installer".

Klippon® CS STB 1-1



150 / 120 / 96 mm
Stainless steel 1.4404 (316L)
Mirror polished / Natural
IP54, IP66
-55 °C...+55 °C
4 joules in acc. with IEC 60079-0
Silicone (VMQ)
EPDM
Wall mounting
M6 x 10 earthing studs integrated in the lid, stainless steel
M6 earthing studs, stainless steel
M5 hexagonal screw with slot and 10mm distance across flats
2.5 Nm
7.5 Nm
2.5 mm <sup>2</sup>
250 V
T4, T5, T6
Illuminated pushbutton - green
2 NO contacts
Pushbutton
green
green
1 x M20
1460050000 - VG M20 EXE MS
3 mm / 12 mm
IEC 60079-0, IEC 60079-7, IEC 60079-31
IECEXITA14.0013X
TUEV14ATEX7606X
RUC-DE.TB08.B.01838
II 2 G Ex d e IIC T* Gb
II 2 D Ex tb IIIC T*°C Db

Type	Qty.	Order No.
KLIPPON CS STB 1-1	1	1537230000

\*Other temperature classes and connection values on request, or see "Notice to Installer".

Klippon® CS STB 1-2



153 / 120 / 119 mm
Stainless steel 1.4404 (316L)
Mirror polished / Natural
IP54, IP66
-55 °C...+55 °C
7 joules in acc. with IEC 60079-0
Silicone (VMQ)
EPDM
Wall mounting
M6 x 10 earthing studs integrated in the lid, stainless steel
M6 earthing studs, stainless steel
M5 hexagonal screw with slot and 10mm distance across flats
2.5 Nm
7.5 Nm
2.5 mm <sup>2</sup>
400 V
T4, T5, T6
EMERGENCY-STOP pushbutton with yellow, contrasting label
2 NC contact, positive opening contacts
EMERGENCY STOP pushbutton
red
1 x M25
1460070000 - VG M25 EXE MS
10 mm / 18 mm
IEC 60079-0, IEC 60079-7, IEC 60079-31
IECEXITA14.0013X
TUEV14ATEX7606X
RUC-DE.TB08.B.01838
II 2 G Ex d e IIC T* Gb
II 2 D Ex tb IIIC T*°C Db

Type	Qty.	Order No.
KLIPPON CS STB 1-2	1	1537240000

\*Other temperature classes and connection values on request, or see "Notice to Installer".

Klippon® CS STB 1-2



Klippon® CS STB 1-2



Technical data

<b>Enclosure</b>	
Dimensions with installation (HxBxD)	
Material	
<b>General characteristics</b>	
Surface finish / Colour	
Protection class	
Ambient temperature	
Impact resistance	
Enclosure seal material	
Seal material of operating and display elements	
Type of mounting	
Internal earth	
External earth	
Lid attachment	
Torque for lid screws	
Earth stud torque	
<b>Electrical properties*</b>	
Wire connection cross section, finely stranded, max.	
Operating voltage, max.	
Temperature class	
<b>Enclosure assembly</b>	
1 Position in enclosure	
2 Position in enclosure	
3 Position in enclosure	
4 Position in enclosure	
Contact design	
Actuators	
Actuator colour	
Illumination module colour	
Illuminated button actuator colour	
<b>Cable entries</b>	
Drill holes side B	
Cable gland	
Clamping range min. / max.	
<b>Approval and Marking</b>	
Standards	
Certificate No. (IECEX)	
Certificate No. (ATEX)	
Certificate No. (EAC)	
Marking	

Dimensions with installation (HxBxD)	153 / 120 / 95 mm
Material	Stainless steel 1.4404 (316L)
Surface finish / Colour	Mirror polished / Natural
Protection class	IP54, IP66
Ambient temperature	-55 °C...+55 °C
Impact resistance	7 joules in acc. with IEC 60079-0
Enclosure seal material	Silicone (VMQ)
Seal material of operating and display elements	EPDM
Type of mounting	Wall mounting
Internal earth	M6 x 10 earthing studs integrated in the lid, stainless steel
External earth	M6 earthing studs, stainless steel
Lid attachment	M5 hexagonal screw with slot and 10mm distance across flats
Torque for lid screws	2.5 Nm
Earth stud torque	7.5 Nm
Wire connection cross section, finely stranded, max.	2.5 mm²
Operating voltage, max.	400 V
Temperature class	T4, T5, T6
1 Position in enclosure	Pushbutton - green
2 Position in enclosure	
3 Position in enclosure	
4 Position in enclosure	
Contact design	1 NC contact, 1 NO contacts
Actuators	Pushbutton
Actuator colour	green
Illumination module colour	
Illuminated button actuator colour	
Drill holes side B	1 x M25
Cable gland	1460070000 - VG M25 EXE MS
Clamping range min. / max.	10 mm / 18 mm
Standards	IEC 60079-0, IEC 60079-7, IEC 60079-31
Certificate No. (IECEX)	IECEXITA14.0013X
Certificate No. (ATEX)	TUEV14ATEX7606X
Certificate No. (EAC)	RUC-DE.TB08.B.01838
Marking	II 2 G Ex d e IIC T* Gb II 2 D Ex tb IIIC T*°C Db

Dimensions with installation (HxBxD)	153 / 120 / 109 mm
Material	Stainless steel 1.4404 (316L)
Surface finish / Colour	Mirror polished / Natural
Protection class	IP54, IP66
Ambient temperature	-55 °C...+55 °C
Impact resistance	7 joules in acc. with IEC 60079-0
Enclosure seal material	Silicone (VMQ)
Seal material of operating and display elements	EPDM
Type of mounting	Wall mounting
Internal earth	M6 x 10 earthing studs integrated in the lid, stainless steel
External earth	M6 earthing studs, stainless steel
Lid attachment	M5 hexagonal screw with slot and 10mm distance across flats
Torque for lid screws	2.5 Nm
Earth stud torque	7.5 Nm
Wire connection cross section, finely stranded, max.	2.5 mm²
Operating voltage, max.	400 V
Temperature class	T4, T5, T6
1 Position in enclosure	Key-operated switch
2 Position in enclosure	
3 Position in enclosure	
4 Position in enclosure	
Contact design	1 NC contact, 1 NO contacts
Actuators	Key-operated switch, 3 switching positions, I - 0 - II, (I + II), latching, Key retractable
Actuator colour	
Illumination module colour	
Illuminated button actuator colour	
Drill holes side B	1 x M25
Cable gland	1460070000 - VG M25 EXE MS
Clamping range min. / max.	10 mm / 18 mm
Standards	IEC 60079-0, IEC 60079-7, IEC 60079-31
Certificate No. (IECEX)	IECEXITA14.0013X
Certificate No. (ATEX)	TUEV14ATEX7606X
Certificate No. (EAC)	RUC-DE.TB08.B.01838
Marking	II 2 G Ex d e IIC T* Gb II 2 D Ex tb IIIC T*°C Db

Note	
------	--

Ordering data

Type	Qty.	Order No.
KLIPPON CS STB 1-2	1	1537250000

Note	
------	--

Type	Qty.	Order No.
KLIPPON CS STB 1-2	1	1537280000

Note	*Other temperature classes and connection values on request, or see "Notice to Installer".
------	--

Note	*Other temperature classes and connection values on request, or see "Notice to Installer".
------	--

Klippon® CS STB 1-2



153 / 120 / 96 mm
Stainless steel 1.4404 (316L)
Mirror polished / Natural
IP54, IP66
-55 °C...+55 °C
4 joules in acc. with IEC 60079-0
Silicone (VMQ)
EPDM
Wall mounting
M6 x 10 earthing studs integrated in the lid, stainless steel
M6 earthing studs, stainless steel
M5 hexagonal screw with slot and 10mm distance across flats
2.5 Nm
7.5 Nm
2.5 mm <sup>2</sup>
250 V
T4, T5, T6
Illuminated pushbutton - green
2 NO contacts
Pushbutton
green
green
1 x M25
1460070000 - VG M25 EXE MS
3 mm / 12 mm
IEC 60079-0, IEC 60079-7, IEC 60079-31
IECEXITA14.0013X
TUEV14ATEX7606X
RUC-DE.TB08.B.01838
II 2 G Ex d e IIC T* Gb
II 2 D Ex tb IIIC T*°C Db

Type	Qty.	Order No.
KLIPPON CS STB 1-2	1	1537290000

\*Other temperature classes and connection values on request, or see "Notice to Installer".

Klippon® CS STB 2.1-2



223 / 150 / 95 mm
Stainless steel 1.4404 (316L)
Mirror polished / Natural
IP54, IP66
-55 °C...+55 °C
7 joules in acc. with IEC 60079-0
Silicone (VMQ)
EPDM
Wall mounting
M6 x 10 earthing studs integrated in the lid, stainless steel
M6 earthing studs, stainless steel
M5 hexagonal screw with slot and 10mm distance across flats
2.5 Nm
7.5 Nm
2.5 mm <sup>2</sup>
400 V
T4, T5, T6
Pushbutton - red
Pushbutton - green
2 NC contact, 2 NO contacts
Pushbutton
red, green
green
1 x M25
1460070000 - VG M25 EXE MS
10 mm / 18 mm
IEC 60079-0, IEC 60079-7, IEC 60079-31
IECEXITA14.0013X
TUEV14ATEX7606X
RUC-DE.TB08.B.01838
II 2 G Ex d e IIC T* Gb
II 2 D Ex tb IIIC T*°C Db

Type	Qty.	Order No.
KLIPPON CS STB 2.1-2	1	1537300000

\*Other temperature classes and connection values on request, or see "Notice to Installer".

Klippon® CS STB 2.1-2



223 / 150 / 103 mm
Stainless steel 1.4404 (316L)
Mirror polished / Natural
IP54, IP66
-55 °C...+55 °C
4 joules in acc. with IEC 60079-0
Silicone (VMQ)
EPDM
Wall mounting
M6 x 10 earthing studs integrated in the lid, stainless steel
M6 earthing studs, stainless steel
M5 hexagonal screw with slot and 10mm distance across flats
2.5 Nm
7.5 Nm
2.5 mm <sup>2</sup>
250 V
T4, T5, T6
Light module - green
Pushbutton - green
1 NC contact, 1 NO contacts
Pushbutton
green
green
1 x M25
1460070000 - VG M25 EXE MS
10 mm / 18 mm
IEC 60079-0, IEC 60079-7, IEC 60079-31
IECEXITA14.0013X
TUEV14ATEX7606X
RUC-DE.TB08.B.01838
II 2 G Ex d e IIC T* Gb
II 2 D Ex tb IIIC T*°C Db

Type	Qty.	Order No.
KLIPPON CS STB 2.1-2	1	1537310000

\*Other temperature classes and connection values on request, or see "Notice to Installer".

**Klippon® CS STB 2.1-2**



**Klippon® CS STB 2.1-6**



**Technical data**

<b>Enclosure</b>	
Dimensions with installation (HxBxD)	
Material	
<b>General characteristics</b>	
Surface finish / Colour	
Protection class	
Ambient temperature	
Impact resistance	
Enclosure seal material	
Seal material of operating and display elements	
Type of mounting	
Internal earth	
External earth	
Lid attachment	
Torque for lid screws	
Earth stud torque	
<b>Electrical properties*</b>	
Wire connection cross section, finely stranded, max.	
Operating voltage, max.	
Temperature class	
<b>Enclosure assembly</b>	
1 Position in enclosure	
2 Position in enclosure	
3 Position in enclosure	
4 Position in enclosure	
Contact design	
Actuators	
Actuator colour	
Illumination module colour	
Illuminated button actuator colour	
<b>Cable entries</b>	
Drill holes side B	
Cable gland	
Clamping range min. / max.	
<b>Approval and Marking</b>	
Standards	
Certificate No. (IECEX)	
Certificate No. (ATEX)	
Certificate No. (EAC)	
Marking	

223 / 150 / 119 mm
Stainless steel 1.4404 (316L)
Mirror polished / Natural
IP54, IP66
-55 °C...+55 °C
4 joules in acc. with IEC 60079-0
Silicone (VMQ)
EPDM
Wall mounting
M6 x 10 earthing studs integrated in the lid, stainless steel
M6 earthing studs, stainless steel
M5 hexagonal screw with slot and 10mm distance across flats
2.5 Nm
7.5 Nm
2.5 mm <sup>2</sup>
250 V
T4, T5, T6
Light module - red
EMERGENCY-STOP pushbutton with yellow, contrasting label
2 NC contact, positive opening contacts
EMERGENCY STOP pushbutton
red
1 x M25
1460070000 - VG M25 EXE MS
10 mm / 18 mm
IEC 60079-0, IEC 60079-7, IEC 60079-31
IECEXITA14.0013X
TUEV14ATEX7606X
RUC-DE.08.B.00472
II 2 G Ex d e IIC T* Gb
II 2 D Ex tb IIIC T*°C Db

223 / 150 / 95 mm
Stainless steel 1.4404 (316L)
Mirror polished / Natural
IP54, IP66
-55 °C...+55 °C
7 joules in acc. with IEC 60079-0
Silicone (VMQ)
EPDM
Wall mounting
M6 x 10 earthing studs integrated in the lid, stainless steel
M6 earthing studs, stainless steel
M5 hexagonal screw with slot and 10mm distance across flats
2.5 Nm
7.5 Nm
2.5 mm <sup>2</sup>
400 V
T4, T5, T6
Pushbutton - green
Pushbutton - red
Pushbutton - green
3 NC contact, 3 NO contacts
Pushbutton
green, red
1 x M25
1460070000 - VG M25 EXE MS
10 mm / 18 mm
IEC 60079-0, IEC 60079-7, IEC 60079-31
IECEXITA14.0013X
TUEV14ATEX7606X
RUC-DE.TB08.B.01838
II 2 G Ex d e IIC T* Gb
II 2 D Ex tb IIIC T*°C Db

<b>Note</b>
-------------

**Ordering data**

--

Type	Qty.	Order No.
KLIPPON CS STB 2.1-2	1	1537320000

Type	Qty.	Order No.
KLIPPON CS STB 2.1-6	1	1537330000

<b>Note</b>
-------------

*Other temperature classes and connection values on request, or see "Notice to Installer".
--

*Other temperature classes and connection values on request, or see "Notice to Installer".
--

**Klippon® CS STB 2.1-7**



223 / 150 / 103 mm
Stainless steel 1.4404 (316L)
Mirror polished / Natural
IP54, IP66
-55 °C...+55 °C
4 joules in acc. with IEC 60079-0
Silicone (VMQ)
EPDM
Wall mounting
M6 x 10 earthing studs integrated in the lid, stainless steel
M6 earthing studs, stainless steel
M5 hexagonal screw with slot and 10mm distance across flats
2.5 Nm
7.5 Nm
2.5 mm <sup>2</sup>
250 V
T4, T5, T6
Pushbutton - red
Light module - green
Pushbutton - green
2 NC contact, 2 NO contacts
Pushbutton
red, green
green
1 x M25
1460070000 - VG M25 EXE MS
10 mm / 18 mm
IEC 60079-0, IEC 60079-7, IEC 60079-31
IECEXITA14.0013X
TUEV14ATEX7606X
RUC-DE.TB08.B.01838
II 2 G Ex d e IIC T* Gb
II 2 D Ex tb IIIC T*°C Db

**Klippon® CS STB 2.1-7**



220 / 150 / 119 mm
Stainless steel 1.4404 (316L)
Mirror polished / Natural
IP54, IP66
-55 °C...+55 °C
7 joules in acc. with IEC 60079-0
Silicone (VMQ)
EPDM
Wall mounting
M6 x 10 earthing studs integrated in the lid, stainless steel
M6 earthing studs, stainless steel
M5 hexagonal screw with slot and 10mm distance across flats
2.5 Nm
7.5 Nm
2.5 mm <sup>2</sup>
400 V
T4, T5, T6
Pushbutton - green
Pushbutton - red
EMERGENCY-STOP pushbutton with yellow, contrasting label
2 NO contacts, 2 NC contact, positive opening contacts
Pushbutton, EMERGENCY STOP pushbutton
green, red
2 x M20
1460050000 - VG M20 EXE MS
3 mm / 12 mm
IEC 60079-0, IEC 60079-7, IEC 60079-31
IECEXITA14.0013X
TUEV14ATEX7606X
RUC-DE.TB08.B.01838
II 2 G Ex d e IIC T* Gb
II 2 D Ex tb IIIC T*°C Db

Type	Qty.	Order No.
KLIPPON CS STB 2.1-7	1	1537340000

Type	Qty.	Order No.
KLIPPON CS STB 2.1-7	1	1537370000

\*Other temperature classes and connection values on request, or see "Notice to Installer".

\*Other temperature classes and connection values on request, or see "Notice to Installer".

## Klippon® Fire Rated Box

### High functional integrity thanks to robust industrial enclosures

C

Fire protection enclosures are often used in tunnel systems. There they ensure that important electrical installations function reliably, even in the event of a fire. This is especially the case when it comes to emergency systems for lighting and ventilation. Fire protection enclosures in the Klippon® Fire Rated Box range are designed to maintain electrical connections for defined periods of 30, 60 or 90 minutes at high temperatures of up to 1,000 °C. The products are configured according to requirements and comply with the most common international standard DIN 4102-12 (E30, E60 and E90). Testing for compliance with additional specific standards can be carried out on request. Fire resistance certificates are valid for specific configurations. Other configurations must be certified separately.

The Klippon® Fire Rated Box is available in variants made of glass fibre-reinforced plastic (Klippon® POK) or sheet steel (Klippon® STB). Both variants are extremely robust, durable and resistant to the extremely harsh environmental conditions of tunnel systems. They are highly corrosion-resistant, protected according to IP66 and impact-resistant up to 10 joules. They are fitted with high-quality ceramic terminals from the Weidmüller portfolio.

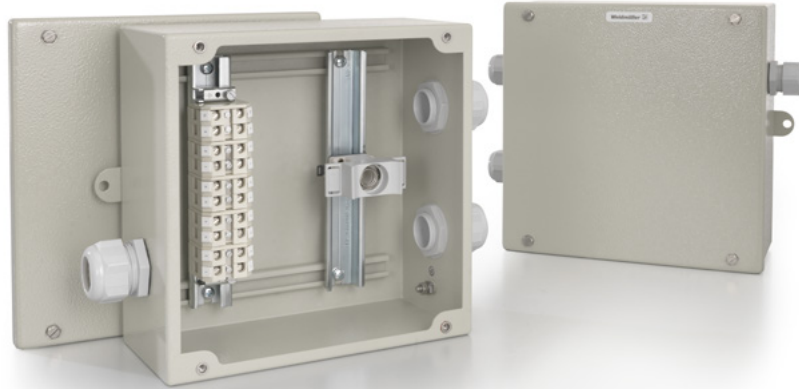
#### Your special advantages:

- Particularly robust and durable industrial enclosures
- Reliable protection of electrical functions in harsh environments
- Permanently available complete solution with high-quality components from the Weidmüller range
- Standard enclosures tested according to the most common standard DIN 4102-12 (E30, E60, E90)
- Available in four individually adaptable variants made of glass fibre-reinforced plastic or sheet steel, with or without fuse inserts
- Additional variations and customised assemblies available on request
- Ceramic terminals available with optional fuse holder



Use our online catalogue to find additional product details, technical information and additional services:

[www.weidmueller.com/klipponfireratedbox](http://www.weidmueller.com/klipponfireratedbox)



## Technical Overview

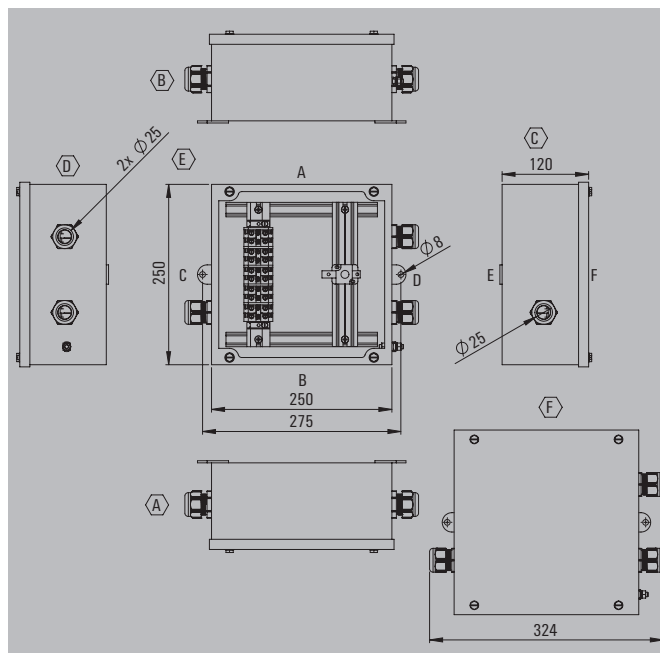
### Technical data

STB	
Enclosure material	Stainless steel 1.4404 (316L) 1.5 mm
Surface finish	powder-coated, pebble grey RAL 7032
IP protection class	IP 66 to DIN EN 60529
Installation mounting	Welded C-profile rail
Enclosure attachment	2 external mounting feet with 8 mm holes
Impact resistance	10J industrial version in accordance with DIN EN 50102
Gasket material	Silicone -60 °C ... +120 °C
Torque screws for cover	2.5 Nm
Temperature range	-20 °C ... +80 °C
Connection	SAKK Series ceramic terminals
Fuse carrier	optional
Switching integrity DIN 4102	max. E90
Conductor cross-section	1.5 - 10 mm <sup>2</sup>
<b>Note</b>	

## Overview of enclosures

### Ordering data

Description	Height x width x depth in mm (without cable glands)	functional integrity class* (DIN 4102)	Order No.
KLIPPON STB 4 MS M25 E90	250 x 255 x 120	E90	8000052519
KLIPPON STB 4 MS FH M25 E90	250 x 255 x 120	E90	8000052592
KLIPPON STB 4 MS M32 E90	250 x 255 x 120	E90	8000054772
KLIPPON STB 4 MS FH M32 E90	250 x 255 x 120	E90	8000054773
<b>Note:</b> *The enclosures were tested with the cable variants „Dätwyler E 90 5 x 1.5 mm <sup>2</sup> “ and „EUPEN Eurocase E90 5x10 mm <sup>2</sup> “. The cabling was tested horizontally and vertically on the wall and also under the ceiling. E30-certified for all tested variants E60-certified for both cable variants E90-certified for all tested variants without fuse holder; with fuse holder only for cable variant Dätwyler 5 x 1.5			



Height / Width / Depth 250 / 250 / 120 mm

**Ordering data**

	Order No.
KLIPPON STB 4 MS FH M25 E90	8000052592

**Note**

**Technical data**

Article - short description	Klippon STB (Small Terminal Box), Enclosures, Height: 250 mm, Width: 250 mm, Depth: 120 mm, Material: Sheet steel, Powder-coated, Pebble grey
Ambient temperature	-20...80 °C
Protection class	IP66
Fire resistance class according to DIN 4102-12	E90
Standards	DIN 4102-12
Impact resistance	10 J version standard

**Assembly**

Fuse holder available	Yes
SAKK 10	10
Drill holes side C	1 x M25
Drill holes side D	2 x M25

**Technical data, enclosure**

Material	Sheet steel
Surface finish	Powder-coated
Seal material	Silicone
Lid attachment	M5 hexagonal screw with slot and 10mm distance across flats

**Reference products**

	Order No.
KLIPPON STB 4 MS HT	1025030000
SFNS5 VKMU M5 SW15	0433500000
TS 32X15 2M/ST/ZN	0122800000
TS 35X15 2M/ST/ZN	0236400000
SAKK 10	9502610000
QL 2 SAKK10	9502650000
KISC M3X20.5/10 EK4	0303000000
AP SAKK4/10 KER/WS	9502630000
VH 12.5 SAKK10	9509510000
MEW 1/32	0445600000
WS 8/8 MM WS	2007170000
VG M25-K67	1909710000
GWDR M25-NP	1736250000
SKMU M25 - K GR	1772470000

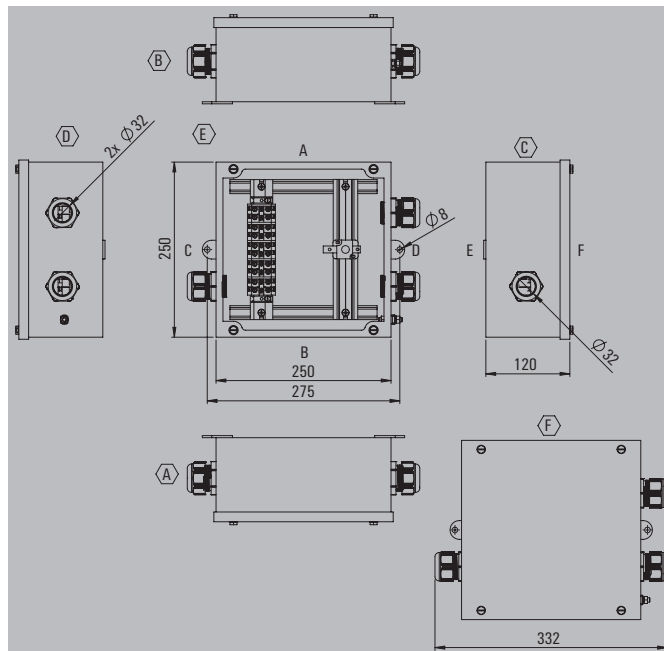
**Note**

**Note**



**KLIPPON STB 4 MS FH M32 E90**

**Depth 120 mm**



Height / Width / Depth 250 / 250 / 120 mm

**Ordering data**

	Order No.
KLIPPON STB 4 MS FH M32 E90	<b>8000054773</b>

**Note**

**Technical data**

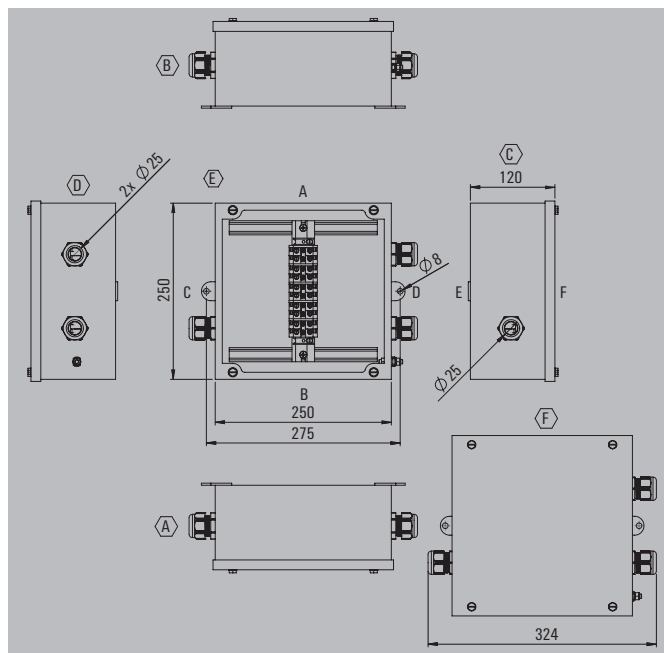
Article - short description	Klippon STB (Small Terminal Box), Enclosures, Height: 250 mm, Width: 250 mm, Depth: 120 mm, Material: Sheet steel, Powder-coated, Pebble grey
Ambient temperature	-20...80 °C
Protection class	IP66
Fire resistance class according to DIN 4102-12	E90
Standards	DIN 4102-12
Impact resistance	10 J version standard
<b>Assembly</b>	
Fuse holder available	Yes
SAKK 10	10
Drill holes side C	1 x M32
Drill holes side D	2 x M32
<b>Technical data, enclosure</b>	
Material	Sheet steel
Surface finish	Powder-coated
Seal material	Silicone
Lid attachment	M5 hexagonal screw with slot and 10mm distance across flats

**Reference products**

	Order No.
KLIPPON STB 4 MS HT	<b>1025030000</b>
SFNS5 VKMU M5 SW15	<b>0433500000</b>
TS 32X15 2M/ST/ZN	<b>0122800000</b>
TS 35X15 2M/ST/ZN	<b>0236400000</b>
SAKK 10	<b>9502610000</b>
QL 2 SAKK10	<b>9502650000</b>
KISC M3X20.5/10 EK4	<b>0303000000</b>
AP SAKK4/10 KER/WS	<b>9502630000</b>
VH 12.5 SAKK10	<b>9509510000</b>
MEW 1/32	<b>0445600000</b>
WS 8/8 MM WS	<b>2007170000</b>
VG M32-K67	<b>1909720000</b>
GWDR M32-NP	<b>1736260000</b>
SKMU M32 - K GR	<b>1772480000</b>

**Note**

**Note**



Height / Width / Depth 250 / 250 / 120 mm

**Ordering data**

	Order No.
KLIPPON STB 4 MS M25 E90	<b>8000052519</b>
<b>Note</b>	

**Technical data**

Article - short description	Klippon STB (Small Terminal Box), Enclosures, Height: 250 mm, Width: 250 mm, Depth: 120 mm, Material: Sheet steel, Powder-coated, Pebble grey
Ambient temperature	-20...80 °C
Protection class	IP66
Fire resistance class according to DIN 4102-12	E90
Standards	DIN 4102-12
Impact resistance	10 J version standard
<b>Assembly</b>	
Fuse holder available	No
SAKK 10	10
Drill holes side C	1 x M25
Drill holes side D	2 x M25
<b>Technical data, enclosure</b>	
Material	Sheet steel
Surface finish	Powder-coated
Seal material	Silicone
Lid attachment	M5 hexagonal screw with slot and 10mm distance across flats

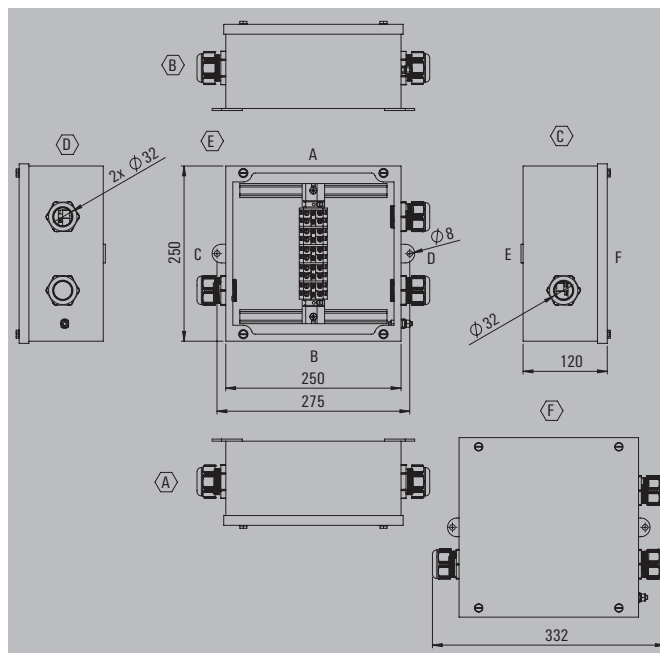
**Reference products**

	Order No.
KLIPPON STB 4 MS HT	<b>1025030000</b>
TS 32X15 2M/ST/ZN	<b>0122800000</b>
SAKK 10	<b>9502610000</b>
QL 2 SAKK10	<b>9502650000</b>
KISC M3X20.5/10 EK4	<b>0303000000</b>
AP SAKK4/10 KER/WS	<b>9502630000</b>
VH 12.5 SAKK10	<b>9509510000</b>
MEW 1/32	<b>0445600000</b>
WS 8/8 MM WS	<b>2007170000</b>
VG M25-K67	<b>1909710000</b>
GWDR M25-NP	<b>1736250000</b>
SKMU M25 - K GR	<b>1772470000</b>
<b>Note</b>	

Note

**KLIPPON STB 4 MS M32 E90**

**Depth 120 mm**



250 / 250 / 120 mm

**Ordering data**

	Order No.
KLIPPON STB 4 MS M32 E90	<b>8000054772</b>

**Note**

**Technical data**

Article - short description	Klippon STB (Small Terminal Box), Enclosures, Height: 250 mm, Width: 250 mm, Depth: 120 mm, Material: Sheet steel, Powder-coated, Pebble grey
Ambient temperature	-20...80 °C
Protection class	IP66
Fire resistance class according to DIN 4102-12	E90
Standards	DIN 4102-12
Impact resistance	10 J version standard
<b>Assembly</b>	
Fuse holder available	No
SAKK 10	10
Drill holes side C	1 x M32
Drill holes side D	2 x M32
<b>Technical data, enclosure</b>	
Material	Sheet steel
Surface finish	Powder-coated
Seal material	Silicone
Lid attachment	M5 hexagonal screw with slot and 10mm distance across flats

**Reference products**

	Order No.
KLIPPON STB 4 MS HT	<b>1025030000</b>
TS 32X15 2M/ST/ZN	<b>0122800000</b>
SAKK 10	<b>9502610000</b>
QL 2 SAKK10	<b>9502650000</b>
KISC M3X20.5/10 EK4	<b>0303000000</b>
AP SAKK4/10 KER/WS	<b>9502630000</b>
VH 12.5 SAKK10	<b>9509510000</b>
MEW 1/32	<b>0445600000</b>
WS 8/8 MM WS	<b>2007170000</b>
VG M32-K67	<b>1909720000</b>
GWDR M32-NP	<b>1736260000</b>
SKMU M32 - K GR	<b>1772480000</b>

**Note**

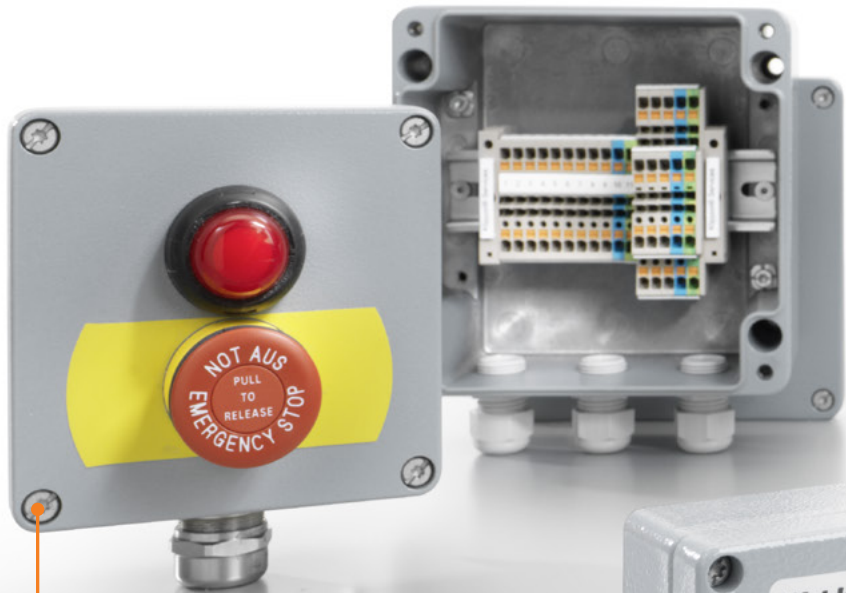
**Note**

# Klippon® K – aluminium enclosure

## Robust enclosure for industrial applications

C

The aluminium Klippon® K enclosures are suitable for use in an extremely wide range of different areas. Various components can be installed inside the enclosures, and will benefit in particular from the high temperature resistance, the excellent IP protection and the good impact resistance.



### Standardised closure system

The cover is attached using captive Torx slotted screws. The highly functional screw connection with coated stainless steel screws allows for use even in corrosive atmospheres. Working with the enclosures requires just one single tool, as only Torx slotted screws are used.



### Earth studs

M6 brass earth studs and M10 stainless steel earth studs are available as accessories. Klippon® K Ex enclosures are fitted with an M4 earth stud as standard, and are available on request.



**High IP protection**

There are no glued areas on the moulded seal of the enclosure, which helps ensure optimal leak-tightness. The seal guarantees an IP protection of IP66 to IP68 (depending on the use).



**Mounting options**

The matching terminal rails or mounting plates are available as accessories and can be used to install a wide range of different components inside the enclosure.



**Versatile attachment options**

The enclosure can be attached directly using the designated attachment holes. Alternatively, it can be attached from the outside using the assembly feet that are available as accessories.



**Ex applications**

Klippon® K enclosures with explosion protection for use in explosive risk zones are optionally available.



**Customer-specific assembly**

Enjoy more flexibility in your project business with Klippon® Services. We combine reliable planning, professional engineering and production in the perfect quality to create your customised product.



# Klippon® K – Aluminium enclosures

Klippon® K-Series aluminium enclosures can be used in a variety of applications, e.g. for the assembly of modular terminal blocks, switches, power supplies, operational and display elements or electronic modules.

The extensive Klippon® K enclosure range has the following advantages:

- More flexibility – 19 different sizes
- Available in two surface finishes – powder-coated and natural
- Mounting holes not within the sealed area
- Fastening thread to attach mounting rails and plates
- Closed moulded gasket (no glue seam)

Weidmüller manufactures and supplies the enclosures to match customer specifications – fully fitted with terminals, electronics and cable glands.



C

**i** Use our online catalogue to find additional product details, technical information and additional services:  
[www.weidmueller.com/klipponk](http://www.weidmueller.com/klipponk)



You can find this product family in our Weidmüller Configurator:  
[www.weidmueller.com/wmc](http://www.weidmueller.com/wmc)

## Overview of enclosures

### Ordering data

Description	Height x width x depth in mm	Powder-coated (RAL 7001)*			Unpainted		
		Standard		Ex enclosure**	Standard		Ex enclosure**
		CR moulded seal	Silicone moulded seal**	Silicone moulded seal	CR moulded seal	Silicone moulded seal**	Silicone moulded seal
Klippon® K 0	45 x 50 x 30	9529090000	1937920000		0573200000	1939760000	
Klippon® K 01	64 x 58 x 34	9529100000	1937850000		1565240000	1939540000	
Klippon® K 02	64 x 98 x 34	9529110000	1937840000		1565250000	1939550000	
Klippon® K 1	70 x 70 x 45	9529120000	1937630000	1329630000	0342000000	1939560000	9526840000
Klippon® K 11	80 x 75 x 57	9529130000	1937910000	1329640000	0573300000	1939570000	9526850000
Klippon® K 2	70 x 100 x 45	9529140000	1937930000	1329650000	0342100000	1939580000	9526860000
Klippon® K 21	80 x 125 x 57	9529150000	1937830000	1328120000	0573400000	1939590000	9526870000
Klippon® K 3	70 x 165 x 45	9529160000	1937900000	1329670000	0342200000	1939600000	9526880000
Klippon® K 31	80 x 175 x 57	9529170000	1937820000	1329680000	0573500000	1939610000	9526890000
Klippon® K 32	80 x 250 x 55	9529180000	1937810000	1329690000	1565260000	1939620000	9526900000
Klippon® K 4	82 x 130 x 72	9529190000	1937890000	1329700000	0342300000	1939630000	9526910000
Klippon® K 41	120 x 122 x 81	9529200000	1937800000	1329710000	1565270000	1939640000	9526920000
Klippon® K 5	130 x 170 x 90	9529210000	1937860000	1329720000	0342400000	1939650000	9526930000
Klippon® K 51	120 x 220 x 81	9529220000	1937750000	1328130000	1565280000	1939660000	9526940000
Klippon® K 52	160 x 160 x 91	9529230000	1937740000	1329730000	1565290000	1939670000	9526950000
Klippon® K 6	160 x 200 x 100	9529240000	1937870000	1329740000	0342500000	1939690000	9526960000
Klippon® K 61	160 x 260 x 91	9529250000	1937730000	1328140000	0573600000	1939700000	9526970000
Klippon® K 7	160 x 350 x 100	9529260000	1937880000	1329750000	0342600000	1939710000	9526980000
Klippon® K 71	230 x 280 x 111	9529270000	1937720000	1329770000	0573700000	1939730000	9526990000

**Note** \*Colour variations may occur under certain circumstances, \*\*Delivery time on request, Ex enclosures available on request

## Technical Overview

### Features

- Two surfaces: natural and powder-coated
- High IP protection up to IP68
- Moulded silicone gasket for applications with high temperatures
- A uniform Torx®-slotted screw head is used for over 19 different enclosure sizes.
- Alloy is resistant to salt water
- Approved according to the latest international standards

**Note** We deliver enclosures through our assembly service which are ready to be connected and suitable for every application

### Technical data

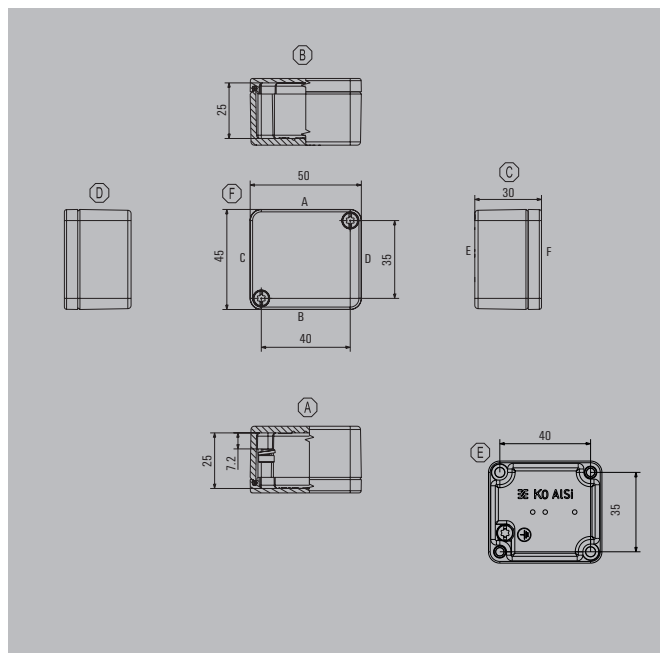
	Ex	Standard
Enclosure material	High quality aluminium alloy (Al-Si12)	High quality aluminium alloy (Al-Si12)
Surface, untreated	Smooth	Smooth
Surface, painted	Silver grey, textured, similar to RAL 7001	Silver grey, textured, similar to RAL 7001
Painting	50-90 µm paint thickness	50-90 µm paint thickness
IP protection class	IP66, IP67 to DIN EN 60529	IP66, IP67 and IP68* to DIN EN 60529
NEMA		4, 4x
Earthing outside	Earthing studs, M4	
Installation mounting	Flexible DIN rail mounting	Flexible DIN rail mounting
Enclosure mounting	Direct mounting with optional mounting brackets (from a size of 120 x 122 x 81 Klippon® K 41)	Direct mounting with optional mounting brackets (from a size of 120 x 122 x 81 Klippon® K 41)
Lid fixing	Captive stainless steel Torx® 20 or slotted screws.	Captive stainless steel Torx® 20 or slotted screws.
Impact resistance	7J to IEC 60079-0	IK 09 (10J) to DIN EN 50102
Gasket material	Silicone (VMQ)	Chloroprene / Silicone (VMQ)
Temperature range	-60 °C...+135 °C	-40 °C...+80 °C with chloroprene gasket / -60 °C...+135 °C with silicone gasket
Lid screws, torque**	2.5 Nm	2.5 Nm
<b>Note</b>	* (t=72h; h=1m) ** To secure the lid we recommend the use of our Torx® T20 Screwdriver (2749520000) Depending on the screw head size, our slotted screwdriver may also be used as an alternative, Ex enclosures available on request	

### Approvals for empty enclosures

	Ex	Standard
ATEX certificate	IBExU12ATEX1144 U	
ATEX marking	II 2G Ex e IIC Gb or II 2G Ex eb IIC II 2D Ex t IIIC Db or II 2D Ex tb IIIC	
IECEX certificate	IECEX IBE 13.0001U	
IECEX marking	Ex e IIC Gb or Ex eb IIC Ex tb IIIC Db or Ex tb IIIC	
EAC	C-DE.HB07.B.00089/20	C-DE.HB07.B.00089/20 / C-DE.A054.B.00251/19
cULus	cULus E197061 (Ord. Loc.)	E197061
Russian Maritime Register	19.00108.272	19.00108.272
DNV GL	TAE00002SM	TAE00002SM
Installation	The Klippon® K enclosure range can be pre-fitted in our customer specific production department according to your wishes.	
<b>Note</b>	This enclosure range is component certified. If other electrical components are inserted into the case, additional certification is required.	

### Approvals for control and distribution box

	Ex		
ATEX certificate	IBExU12ATEX1145 X	EAC certificate	C-DE.HB07.B.00089/20
ATEX marking	II 2G Ex e IIC T6...T4 Gb or II 2G Ex eb IIC T6...T4 II 2G Ex ia IIC T6...T4 Gb or II 2 Ex ia IIC T6...T4 II 2(1)G Ex e ia IIC T6...T4 Gb or II 2(1)G Ex eb ia IIC T6...T4 II 2D Ex t IIIC T85°C...135°C Db or II 2 D Ex tb IIIC T85°C...135°C	EAC marking	1Ex e IIC T6/T5/T4 Gb 1Ex ia IIC T6/T5/T4 Ga 1Ex e ia IIC T6/T5/T4 Gb Ex tb IIIC T85°C/T100°C/T135°C Db
IECEX certificate	IECEX IBE 13.0002X	CCCx certificate	2020322303000040
IECEX marking	Ex e IIC T6...T4 Gb or Ex eb IIC T6...T4 Ex ia IIC T6...T4 Gb Ex e ia IIC T6...T4 Gb Ex tb IIIC T85°C...135°C Db or Ex tb IIIC T85°C...135°C	CCCx marking	Ex e IIC T4/T5/T6 Gb Ex ia IIC T4/T5/T6 Ga Ex e ia IIC T4/T5/T6 Gb Ex tD A21 IP66 T80°C/T95°C/T130°C
<b>Note</b>	If you have specific requirements for equipment operating in explosive hazard areas, please contact us at Weidmüller to receive a full copy of the certification. For details of power dissipation, please contact your Weidmüller representative.		



Height / Width / Depth 45 / 50 / 30 mm

**Ordering data**

powder-coated (RAL 7001)	Order No.
Standard (CR seal)	9529090000
Standard (silicone seal)*	1937920000
unpainted	Order No.
Standard (CR seal)	0573200000
Standard (silicone seal)*	1939760000

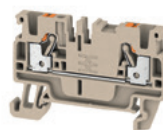
**Note** The colours of painted enclosures may vary under certain circumstances. \*Delivery time on request

**Accessories**

Torx® screw driver	Order No.
not insulated, Torx® T20	2749520000
Pressure compensation elements	Order No.
Polyamide 6, M12	1868570000
Stainless steel 1.4305, M12	1868550000

**Guide value for max. number of terminals (industry)**

Assembly with terminal	vertical	horizontal
2.5 mm <sup>2</sup>	1x1*	1x1*
4 mm <sup>2</sup>	1x1*	1x1*
6 mm <sup>2</sup>		
10 mm <sup>2</sup>		
16 mm <sup>2</sup>		



**Note** \*Please refer to the Terminal Block catalogue or the SAK Series for more information about assembling the enclosures with terminal blocks. There are no prescribed possible attachment points in the enclosure.

**Guide value for max. number of cable entries**

Cable entries	A / B	C / D
M12	1	1
M16	1	1
M20		
M25		
M32		
M40		
M50		
M63		



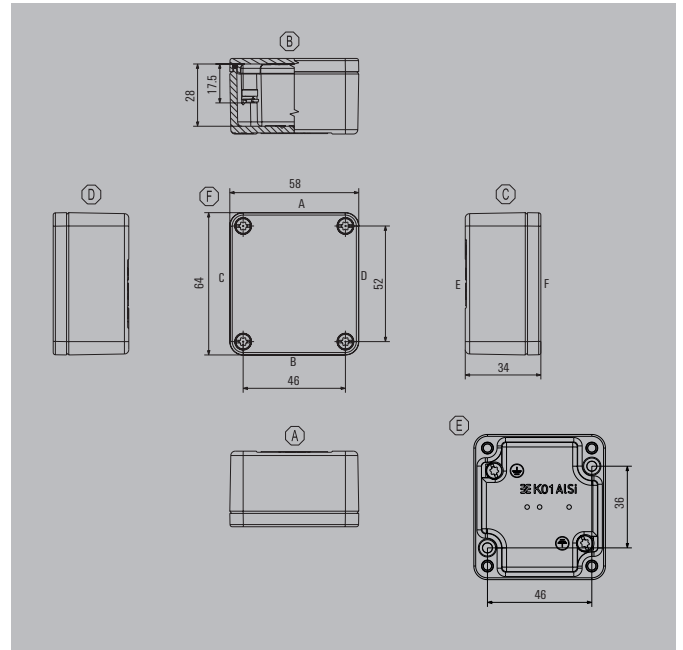
**Note** Our IP68 brass cable glands are used as the reference for these guideline values.

**Note** Helicoil for outdoor applications, available ex-works.



Klippon® K 01

Depth **34 mm**



Height / Width / Depth 64 / 58 / 34 mm

**Ordering data**

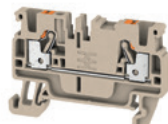
powder-coated (RAL 7001)	Order No.
Standard (CR seal)	<b>9529100000</b>
Standard (silicone seal)*	<b>1937850000</b>
unpainted	Order No.
Standard (CR seal)	<b>1565240000</b>
Standard (silicone seal)*	<b>1939540000</b>

**Note** The colours of painted enclosures may vary under certain circumstances. \*Delivery time on request

**Accessories**


Torx® screw driver	Order No.
not insulated, Torx® T20	<b>2749520000</b>
Pressure compensation elements	Order No.
Polyamide 6, M12	<b>1868570000</b>
Stainless steel 1.4305, M12	<b>1868550000</b>

**Guide value for max. number of terminals (industry)**

Assembly with terminal	vertical	horizontal
	2.5 mm <sup>2</sup>	1x1*
	4 mm <sup>2</sup>	1x1*
	6 mm <sup>2</sup>	
	10 mm <sup>2</sup>	
	16 mm <sup>2</sup>	

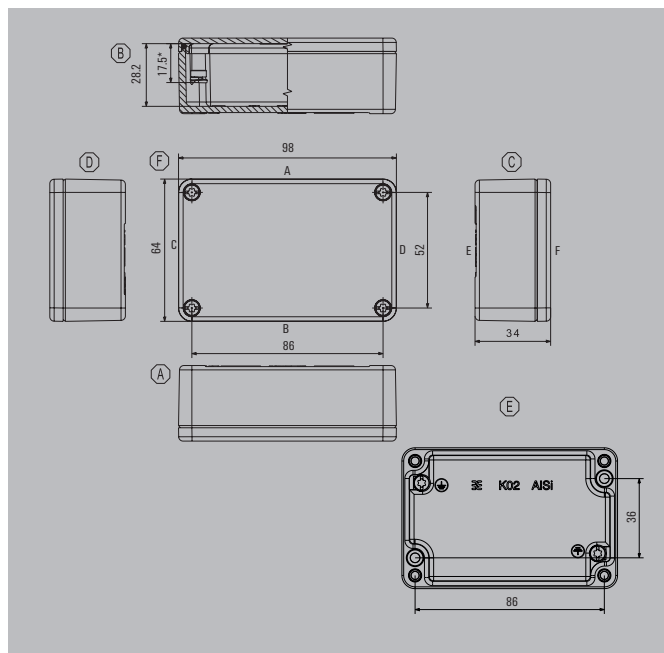
**Note** \*Please refer to the Terminal Block catalogue or the SAK Series for more information about assembling the enclosures with terminal blocks. There are no prescribed possible attachment points in the enclosure.

**Guide value for max. number of cable entries**

Cable entries	A / B	C / D
	M12	1
	M16	1
	M20	
	M25	
	M32	
	M40	
	M50	
	M63	

**Note** Our IP68 brass cable glands are used as the reference for these guideline values.

**Note** Helicoil for outdoor applications, available ex-works.



Height / Width / Depth 64 / 98 / 34 mm

**Ordering data**

powder-coated (RAL 7001)	Order No.
Standard (CR seal)	<b>9529110000</b>
Standard (silicone seal)*	<b>1937840000</b>
unpainted	Order No.
Standard (CR seal)	<b>1565250000</b>
Standard (silicone seal)*	<b>1939550000</b>

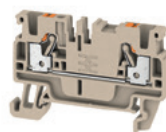
**Note** The colours of painted enclosures may vary under certain circumstances. \*Delivery time on request

**Accessories**

Torx® screw driver	Order No.
not insulated, Torx® T20	<b>2749520000</b>
Pressure compensation elements	Order No.
Polyamide 6, M12	<b>1868570000</b>
Stainless steel 1.4305, M12	<b>1868550000</b>

**Guide value for max. number of terminals (industry)**

Assembly with terminal	vertical	horizontal
2.5 mm <sup>2</sup>	1x1*	1x1*
4 mm <sup>2</sup>	1x1*	1x1*
6 mm <sup>2</sup>		
10 mm <sup>2</sup>		
16 mm <sup>2</sup>		



**Note** \*Please refer to the Terminal Block catalogue or the SAK Series for more information about assembling the enclosures with terminal blocks. There are no prescribed possible attachment points in the enclosure.

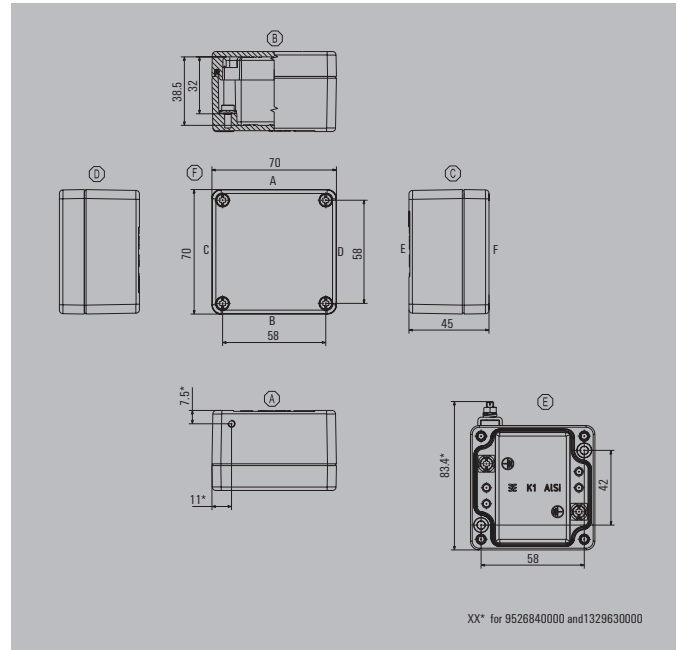
**Guide value for max. number of cable entries**

Cable entries	A / B	C / D
M12	3	1
M16	3	1
M20	2	
M25		
M32		
M40		
M50		
M63		



**Note** Our IP68 brass cable glands are used as the reference for these guideline values.

**Note** Helicoil for outdoor applications, available ex-works.



XX\* for 9526840000 and 1329630000

Height / Width / Depth	70 / 70 / 45 mm
------------------------	-----------------

**Ordering data**

powder-coated (RAL 7001)	Order No.
Standard (CR seal)	9529120000
Standard (silicone seal)*	1937630000
unpainted	Order No.
Standard (CR seal)	0342000000
Standard (silicone seal)*	1939560000

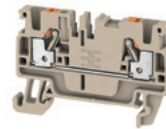
**Note** The colours of painted enclosures may vary under certain circumstances. Ex-enclosures are available on request. \*Delivery time on request

**Accessories**

Terminal rail, Set	Order No.
15 mm width	1909980000
Mounting plate	Order No.
Steel sheet, zinc plated	1905280000
Torx® screw driver	Order No.
not insulated, Torx® T20	2749520000
Earthing stud	Order No.
Brass, M6	1277250000
Stainless steel 1.4404, M6	1283430000
Pressure compensation elements	Order No.
Polyamide 6, M12	1868570000
Stainless steel 1.4305, M12	1868550000

**Guide value for max. number of terminals (industry)**

Assembly with terminal	vertical	horizontal
2.5 mm <sup>2</sup>	1x1*	1x5
4 mm <sup>2</sup>	1x1*	1x1*
6 mm <sup>2</sup>		
10 mm <sup>2</sup>		
16 mm <sup>2</sup>		



**Note** \*Please refer to the Terminal Block Catalogue or the SAK Series for more information about populating the enclosures with terminal blocks. For vertical installations, we recommend using not more than one BK 4 or BK 4 CRN (0625120000). For horizontal installations with 2.5mm<sup>2</sup> 1x5 AKZ terminal blocks (only possible on a TS 15) for 4mm<sup>2</sup>, use not more than one BK 4. There are no pre-defined mounting points set within this enclosure for installing internal equipment in a vertical position.

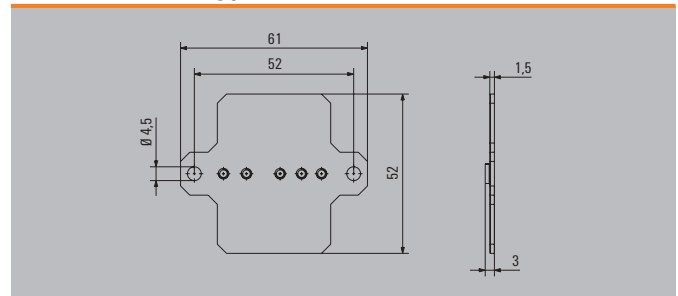
**Guide value for max. number of cable entries**

Cable entries	A / B	C / D
M12	2	1
M16	2	1
M20	1	
M25		
M32		
M40		
M50		
M63		

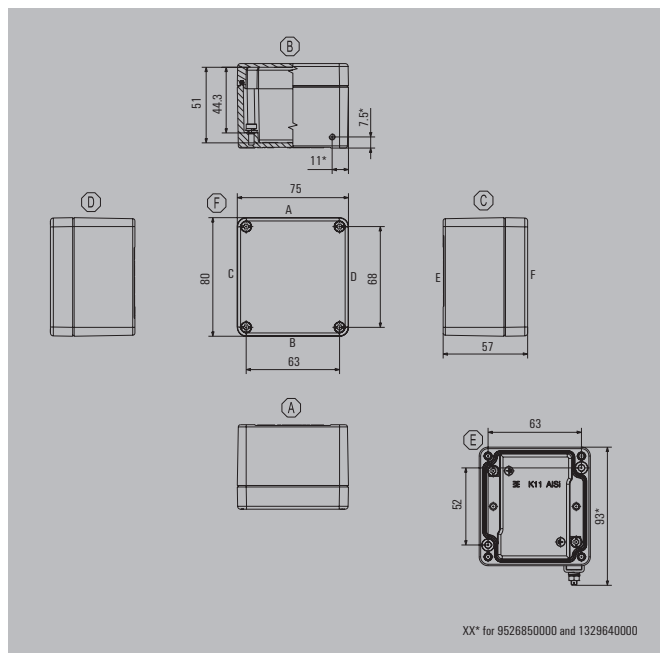
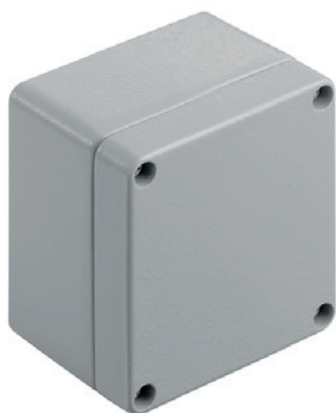


**Note** Our IP68 brass cable glands are used as the reference for these guideline values.

**Dimensions of mounting plate**



**Note** The accessory sets contain the necessary mounting materials. Helicoil for outdoor applications, available ex-works.



XX\* for 9526850000 and 1329640000

Height / Width / Depth	80 / 75 / 57 mm
------------------------	-----------------

**Ordering data**

powder-coated (RAL 7001)	Order No.
Standard (CR seal)	9529130000
Standard (silicone seal)*	1937910000
unpainted	Order No.
Standard (CR seal)	0573300000
Standard (silicone seal)*	1939570000

**Note** The colours of painted enclosures may vary under certain circumstances. Ex-enclosures are available on request. \*Delivery time on request

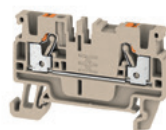
**Accessories**

<b>Terminal rail, Set</b>	Order No.
15 mm width	1909990000
<b>Mounting plate</b>	Order No.
Steel sheet, zinc plated	3073000000
<b>Hinge, diecast zinc, Set</b>	1580360000
<b>Torx®screw driver</b>	Order No.
not insulated, Torx® T20	2749520000
<b>Earthing stud</b>	Order No.
Brass, M6	1277250000
Stainless steel 1.4404, M6	1283430000
<b>Pressure compensation elements</b>	Order No.
Polyamide 6, M12	1868570000
Stainless steel 1.4305, M12	1868550000

**Note** The accessory sets contain the necessary mounting materials. Necessary on use of 1 hinge per longitudinal side. Helicoil for outdoor applications, available ex-works.

**Guide value for max. number of terminals (industry)**

Assembly with terminal	vertical	horizontal
2.5 mm <sup>2</sup>	1x1*	1x5
4 mm <sup>2</sup>	1x1*	1x4
6 mm <sup>2</sup>		
10 mm <sup>2</sup>		
16 mm <sup>2</sup>		



**Note** \*Please refer to the Terminal Block Catalogue or the SAK Series for more information about populating the enclosures with terminal blocks. We recommend at most one BK 6 or BK 6 CRN (0625220000) in vertical installations. There are no pre-defined mounting points set within this enclosure for installing internal equipment in a vertical position.

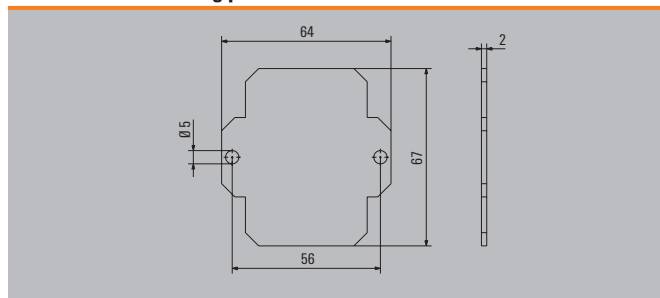
**Guide value for max. number of cable entries**

Cable entries	A / B	C / D
M12	2	2
M16	2	2
M20	1	1
M25	1	
M32		
M40		
M50		
M63		



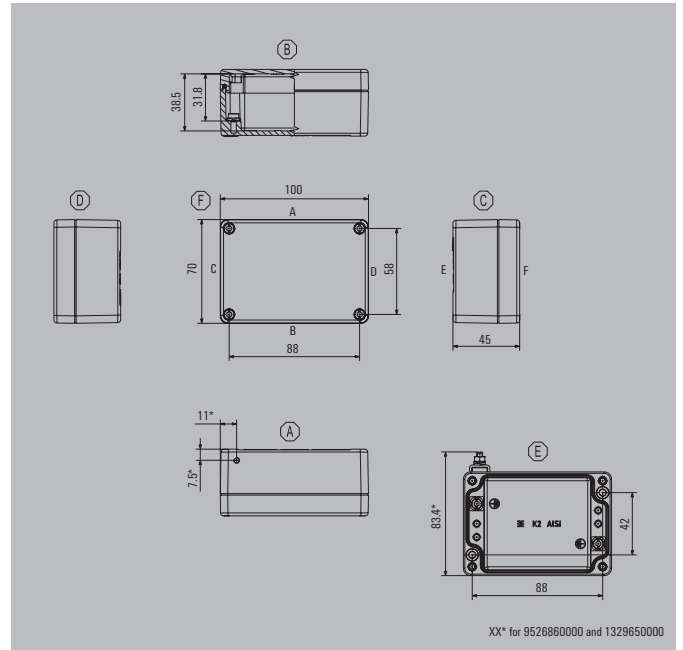
**Note** Our IP68 brass cable glands are used as the reference for these guideline values.

**Dimensions of mounting plate**



Klippon® K 2

Depth 45 mm



Height / Width / Depth 70 / 100 / 45 mm

Ordering data

powder-coated (RAL 7001)		Order No.
	Standard (CR seal)	9529140000
	Standard (silicone seal)*	1937930000
unpainted		
	Standard (CR seal)	0342100000
	Standard (silicone seal)*	1939580000

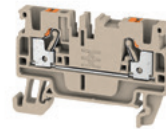
**Note** The colours of painted enclosures may vary under certain circumstances. Ex-enclosures are available on request. \*Delivery time on request

Accessories

Terminal rail, Set		Order No.
	15 mm width	1910010000
Mounting plate		
	Steel sheet, zinc plated	1905270000
Torx® screw driver		
	not insulated, Torx® T20	2749520000
Earthing stud		
	Brass, M6	1277250000
	Stainless steel 1.4404, M6	1283430000
Pressure compensation elements		
	Polyamide 6, M12	1868570000
	Stainless steel 1.4305, M12	1868550000

Guide value for max. number of terminals (industry)

Assembly with terminal	vertical	horizontal
	2.5 mm <sup>2</sup>	*
	4 mm <sup>2</sup>	*
	6 mm <sup>2</sup>	
	10 mm <sup>2</sup>	
	16 mm <sup>2</sup>	



**Note** \*Please refer to the Terminal Block Catalogue or the SAK Series for more information about populating the enclosures with terminal blocks. We recommend at most one BK 6 or BK 6 CRN (0625220000) for vertical installations. There are no pre-defined mounting points set within this enclosure for installing internal equipment in a vertical position.

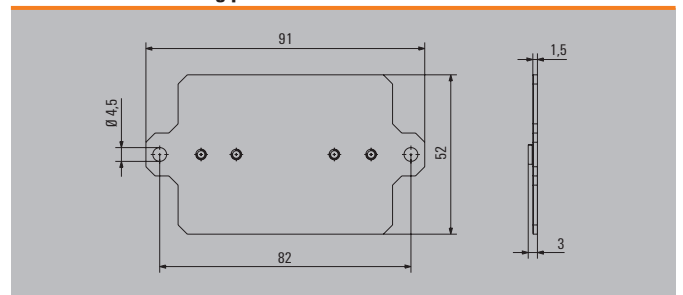
Guide value for max. number of cable entries

Cable entries	A / B	C / D
	M12	3
	M16	3
	M20	2
	M25	
	M32	
	M40	
	M50	
	M63	

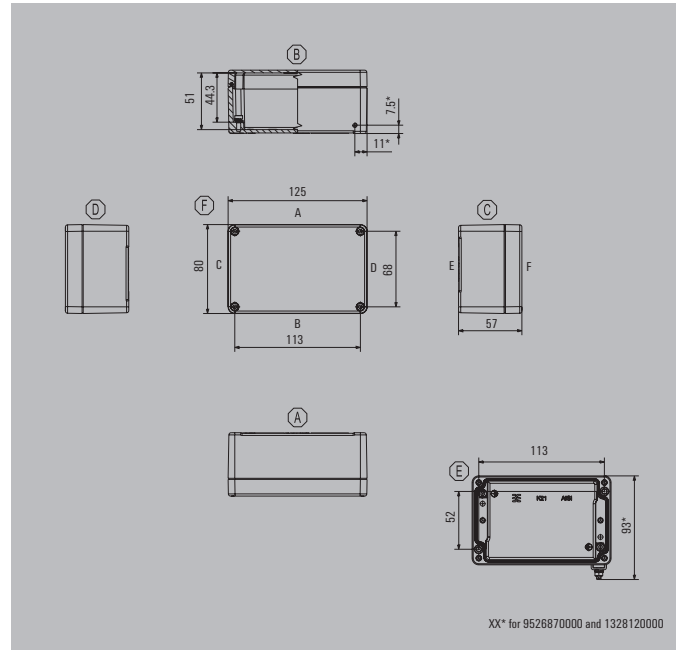


**Note** Our IP68 brass cable glands are used as the reference for these guideline values.

Dimensions of mounting plate



**Note** The accessory sets contain the necessary mounting materials. Helicoil for outdoor applications, available ex-works.



Height / Width / Depth 80 / 125 / 57 mm

**Ordering data**

powder-coated (RAL 7001)	Order No.
Standard (CR seal)	9529150000
Standard (silicone seal)*	1937830000
unpainted	Order No.
Standard (CR seal)	0573400000
Standard (silicone seal)*	1939590000

**Note** The colours of painted enclosures may vary under certain circumstances. Ex-enclosures are available on request. \*Delivery time on request

**Accessories**

<b>Terminal rail, Set</b>	Order No.
15 mm width	1910020000
<b>Mounting plate</b>	Order No.
Steel sheet, zinc plated	3073020000
<b>Hinge, diecast zinc, Set</b>	Order No.
	1580360000
<b>Torx®screw driver</b>	Order No.
not insulated, Torx® T20	2749520000
<b>Earthing stud</b>	Order No.
Brass, M6	1277250000
Stainless steel 1.4404, M6	1283430000
<b>Pressure compensation elements</b>	Order No.
Stainless steel 1.4305, M12	1868550000
Polyamide 6, M12	1868570000

**Note** The accessory sets contain the necessary mounting materials. Necessary on use of 1 hinge per longitudinal side. Helicoil for outdoor applications, available ex-works.

**Guide value for max. number of terminals (industry)**

Assembly with terminal	vertical	horizontal
2.5 mm <sup>2</sup>	*	1x15
4 mm <sup>2</sup>	*	1x12
6 mm <sup>2</sup>		
10 mm <sup>2</sup>		
16 mm <sup>2</sup>		

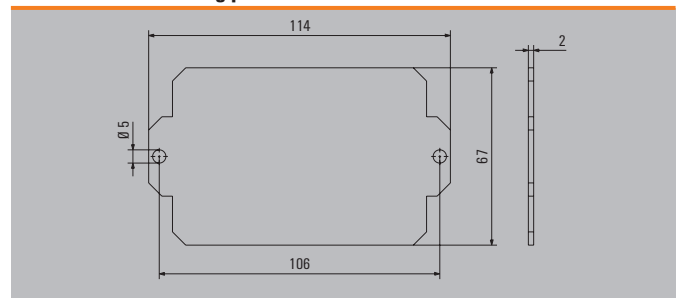
**Note** \*Please refer to the Terminal Block Catalogue or the SAK Series for more information about populating the enclosures with terminal blocks. We recommend BK 6 or BK 6 CRN (0625220000) for vertical installations. There are no pre-defined mounting points set within this enclosure for installing internal equipment in a vertical position.

**Guide value for max. number of cable entries**

Cable entries	A / B	C / D
M12	6	2
M16	4	2
M20	3	1
M25	2	
M32		
M40		
M50		
M63		

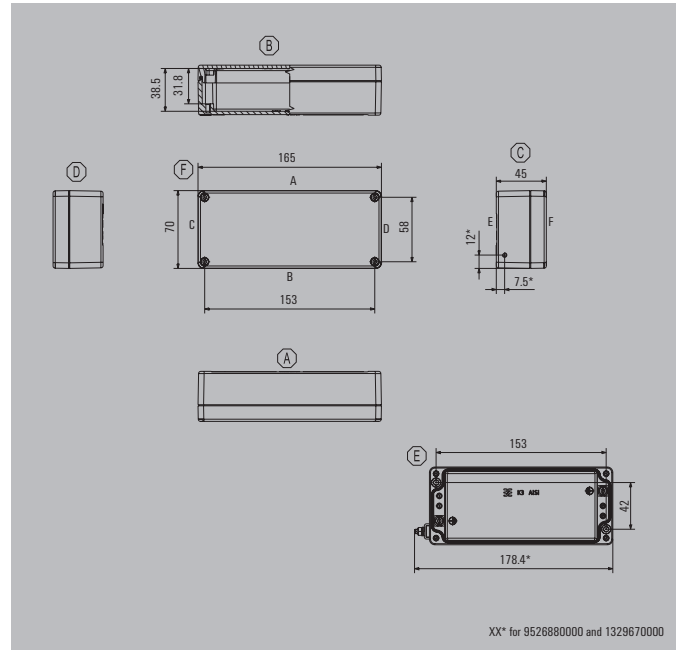
**Note** Our IP68 brass cable glands are used as the reference for these guideline values.

**Dimensions of mounting plate**



Klippon® K 3

Depth 45 mm



Height / Width / Depth 70 / 165 / 45 mm

Ordering data

powder-coated (RAL 7001)	Order No.
Standard (CR seal)	9529160000
Standard (silicone seal)*	1937900000
unpainted	Order No.
Standard (CR seal)	0342200000
Standard (silicone seal)*	1939600000

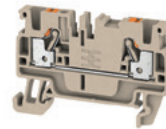
**Note** The colours of painted enclosures may vary under certain circumstances. Ex-enclosures are available on request. \*Delivery time on request

Accessories

Terminal rail, Set	Order No.
15 mm width	1910030000
Mounting plate	Order No.
Steel sheet, zinc plated	1898210000
Torx® screw driver	Order No.
not insulated, Torx® T20	2749520000
Earthing stud	Order No.
Brass, M6	1277250000
Stainless steel 1.4404, M6	1283430000
Pressure compensation elements	Order No.
Stainless steel 1.4305, M12	1868550000
Polyamide 6, M12	1868570000

Guide value for max. number of terminals (industry)

Assembly with terminal	vertical	horizontal
2.5 mm <sup>2</sup>	*	1x22
4 mm <sup>2</sup>	*	
6 mm <sup>2</sup>		
10 mm <sup>2</sup>		
16 mm <sup>2</sup>		



**Note** \*Please refer to the Terminal Block Catalogue or the SAK Series for more information about populating the enclosures with terminal blocks. We recommend BK 6 or BK 6 CRN (0625220000) for vertical installations. There are no pre-defined mounting points set within this enclosure for installing internal equipment in a vertical position.

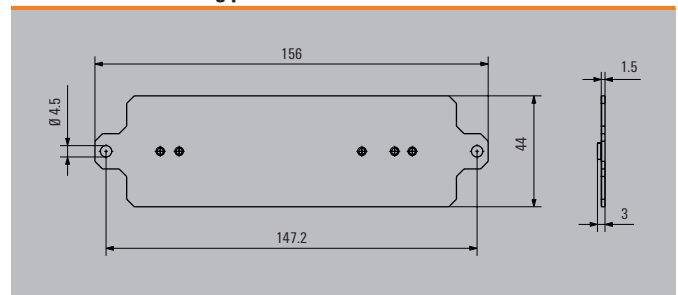
Guide value for max. number of cable entries

Cable entries	A / B	C / D
M12	6	1
M16	5	1
M20	4	
M25		
M32		
M40		
M50		
M63		

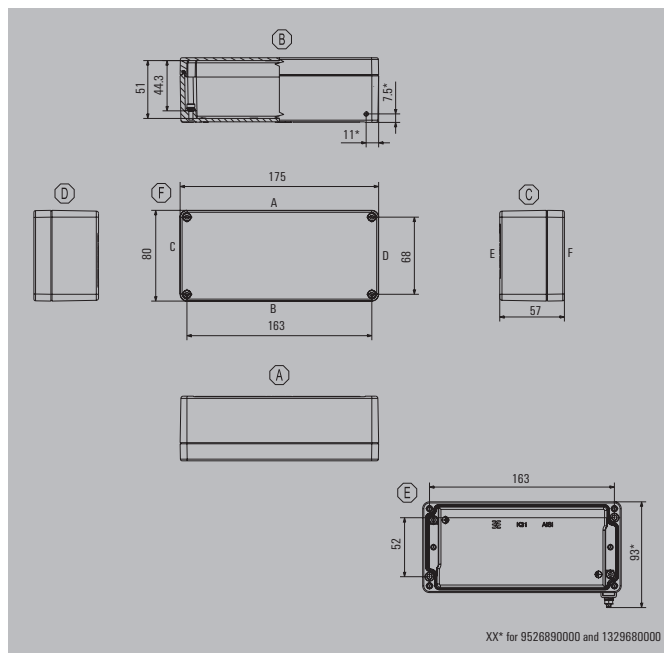


**Note** Our IP68 brass cable glands are used as the reference for these guideline values.

Dimensions of mounting plate



**Note** The accessory sets contain the necessary mounting materials. Helicoil for outdoor applications, available ex-works.



Height / Width / Depth 80 / 175 / 57 mm

**Ordering data**

powder-coated (RAL 7001)		Order No.
	Standard (CR seal)	9529170000
	Standard (silicone seal)*	1937820000
unpainted		
	Standard (CR seal)	0573500000
	Standard (silicone seal)*	1939610000

**Note** The colours of painted enclosures may vary under certain circumstances. Ex-enclosures are available on request. \*Delivery time on request

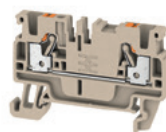
**Accessories**

<b>Terminal rail, Set</b>		<b>Order No.</b>
	15 mm width	1910040000
<b>Mounting plate</b>		
	Steel sheet, zinc plated	3073040000
<b>Hinge, diecast zinc, Set</b>		1580360000
<b>Torx®screw driver</b>		
	not insulated, Torx® T20	2749520000
<b>Earthing stud</b>		
	Brass, M6	1277250000
	Stainless steel 1.4404, M6	1283430000
<b>Pressure compensation elements</b>		
	Stainless steel 1.4305, M12	1868550000
	Polyamide 6, M12	1868570000

**Note** The accessory sets contain the necessary mounting materials. Necessary on use of 1 hinge per longitudinal side. Helicoil for outdoor applications, available ex-works.

**Guide value for max. number of terminals (industry)**

Assembly with terminal	vertical	horizontal
	2.5 mm <sup>2</sup>	* 1x23
	4 mm <sup>2</sup>	* 1x19
	6 mm <sup>2</sup>	
	10 mm <sup>2</sup>	
	16 mm <sup>2</sup>	



**Note** \*Please refer to the Terminal Block Catalogue or the SAK Series for more information about populating the enclosures with terminal blocks. We recommend BK 6 or BK 6 CRN (0625220000) for vertical installations. There are no pre-defined mounting points set within this enclosure for installing internal equipment in a vertical position.

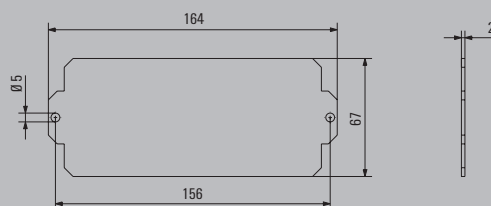
**Guide value for max. number of cable entries**

Cable entries	A / B	C / D
	M12	9
	M16	6
	M20	4
	M25	3
	M32	
	M40	
	M50	
	M63	



**Note** Our IP68 brass cable glands are used as the reference for these guideline values.

**Dimensions of mounting plate**





Klippon® K 32

Depth 55 mm



Height / Width / Depth 80 / 250 / 55 mm

Ordering data

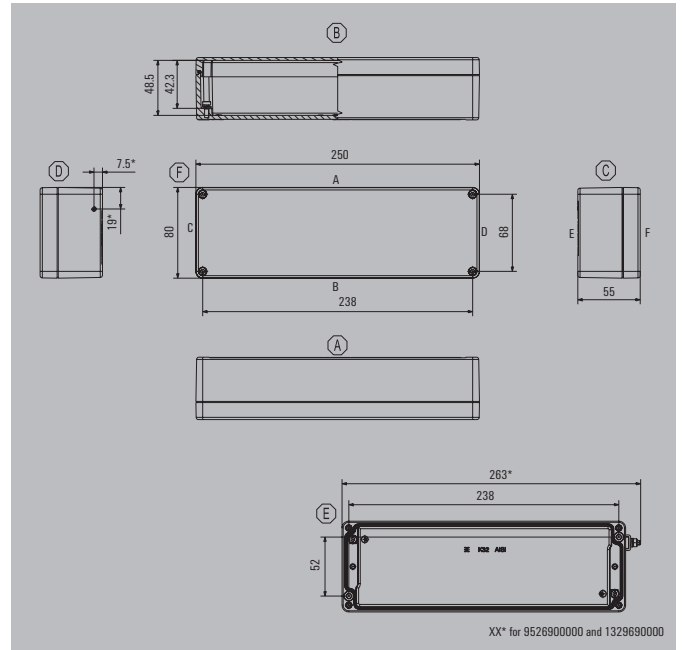
powder-coated (RAL 7001)		Order No.
	Standard (CR seal)	9529180000
	Standard (silicone seal)*	1937810000
unpainted		
	Standard (CR seal)	1565260000
	Standard (silicone seal)*	1939620000

**Note** The colours of painted enclosures may vary under certain circumstances. Ex-enclosures are available on request. \*Delivery time on request

Accessories

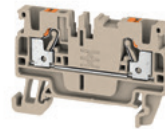
Mounting plate		Order No.
	Steel sheet, zinc plated	3073050000
Torx® screw driver		
	not insulated, Torx® T20	2749520000
Earthing stud		
	Brass, M6	1277250000
	Stainless steel 1.4404, M6	1283430000
Pressure compensation elements		
	Stainless steel 1.4305, M12	1868550000
	Polyamide 6, M12	1868570000

**Note** The accessory sets contain the necessary mounting materials. Helicoil for outdoor applications, available ex-works.



Guide value for max. number of terminals (industry)

Assembly with terminal	vertical	horizontal
2.5 mm <sup>2</sup>	*	1x38
4 mm <sup>2</sup>	*	1x32
6 mm <sup>2</sup>		
10 mm <sup>2</sup>		
16 mm <sup>2</sup>		



Note

\*Please refer to the Terminal Block Catalogue or the SAK Series for more information about populating the enclosures with terminal blocks. We recommend BK 6 or BK 6 CRN (0625220000) for vertical installations. There are no pre-defined mounting points set within this enclosure for installing internal equipment in a vertical position.

Guide value for max. number of cable entries

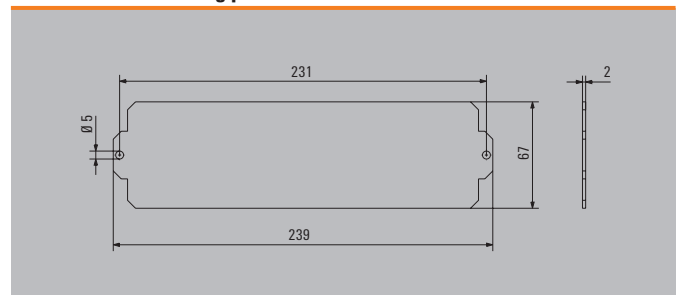
Cable entries	A / B	C / D
M12	15	2
M16	9	2
M20	7	1
M25	6	
M32		
M40		
M50		
M63		

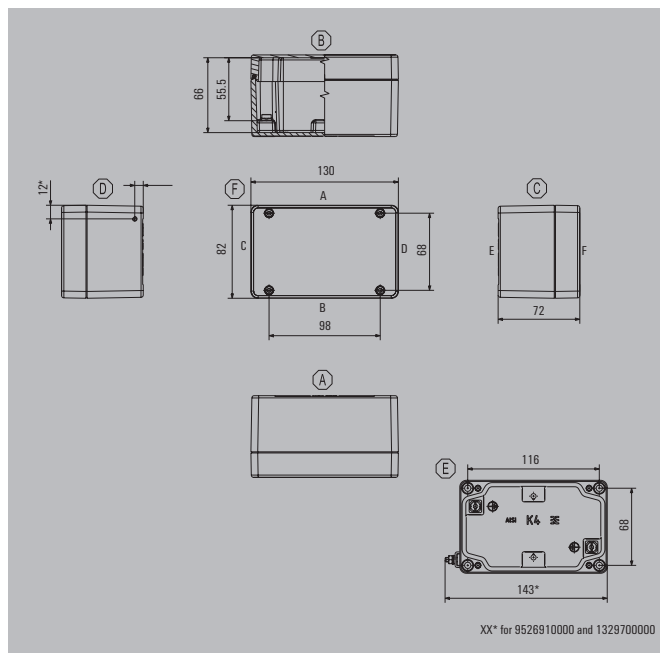


Note

Our IP68 brass cable glands are used as the reference for these guideline values.

Dimensions of mounting plate





Height / Width / Depth 82 / 130 / 72 mm

**Ordering data**

powder-coated (RAL 7001)	Order No.
Standard (CR seal)	9529190000
Standard (silicone seal)*	1937890000
unpainted	Order No.
Standard (CR seal)	0342300000
Standard (silicone seal)*	1939630000

**Note** The colours of painted enclosures may vary under certain circumstances. Ex-enclosures are available on request. \*Delivery time on request

**Accessories**

<b>Terminal rail, Set</b>	Order No.
35 mm width	1910060000
<b>Mounting plate</b>	Order No.
Steel sheet, zinc plated	3073060000
<b>Hinge, diecast zinc, Set</b>	1580360000
<b>Torx®screw driver</b>	Order No.
not insulated, Torx® T20	2749520000
<b>Earthing stud</b>	Order No.
Brass, M6	1277250000
Stainless steel 1.4404, M6	1283430000
Brass, M10	1277220000
Stainless steel 1.4404, M10	1283440000
<b>Pressure compensation elements</b>	Order No.
Stainless steel 1.4305, M12	1868550000
Polyamide 6, M12	1868570000

**Note** Sets also contain the mounting material, if necessary. 1 hinge per longitudinal side. Helicoil for outdoor applications, available ex-works.

**Guide value for max. number of terminals (industry)**

Assembly with terminal	vertical	horizontal
2.5 mm <sup>2</sup>	1x5	*
4 mm <sup>2</sup>	1x4	*
6 mm <sup>2</sup>	1x3	
10 mm <sup>2</sup>	1x2	
16 mm <sup>2</sup>		

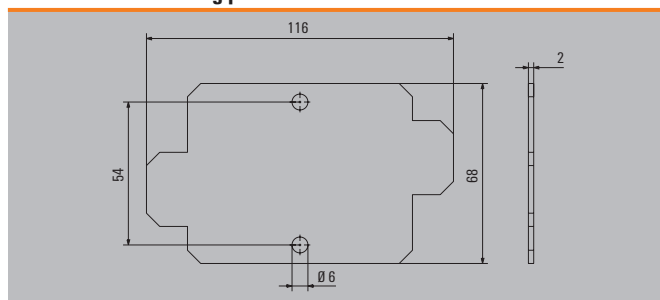
**Note** The mounting rails are designed to be installed directly. Assembly with terminals provides for 10 mm clearance to the ends of the mounting rail. Ordering recommendations: TS 35 mounting rail (screw-type terminals) WDU 2.5 1020000000 / (tension clamp terminals) ZDU 2.5 1608510000 \*For fitting the enclosures with terminal blocks, please refer to the Terminal block catalogue or the SAK series. We recommend BK 6 or BK 6 CRN (0825220000) for horizontal installations. There are no pre-defined mounting points set within this enclosure for installing internal equipment in a horizontal position.

**Guide value for max. number of cable entries**

Cable entries	A / B	C / D
M12	5	2
M16	3	2
M20	2	1
M25	2	1
M32		1
M40		
M50		
M63		

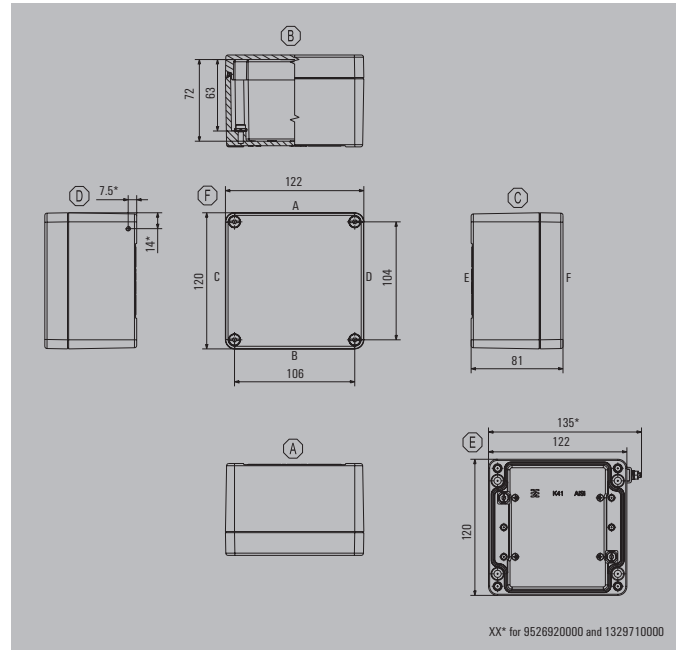
**Note** Our IP68 brass cable glands are used as the reference for these guideline values.

**Dimensions of mounting plate**



Klippon® K 41

Depth 81 mm



Height / Width / Depth 120 / 122 / 81 mm

Ordering data

powder-coated (RAL 7001)	Order No.
Standard (CR seal)	9529200000
Standard (silicone seal)*	1937800000
unpainted	Order No.
Standard (CR seal)	1565270000
Standard (silicone seal)*	1939640000

**Note** The colours of painted enclosures may vary under certain circumstances. Ex-enclosures are available on request. \*Delivery time on request

Accessories

<b>Terminal rail, Set</b>	Order No.
35 mm width	1910070000
<b>Mounting plate</b>	Order No.
Steel sheet, zinc plated	3073070000
<b>Hinge, diecast zinc, Set</b>	1580360000
<b>External mounting feet, set of 4</b>	Order No.
Stainless steel 1.4301 natural	9527590000
<b>Torx® screw driver</b>	Order No.
not insulated, Torx® T20	2749520000
<b>Earthing stud</b>	Order No.
Brass, M6	1277250000
Stainless steel 1.4404, M6	1283430000
Brass, M10	1277220000
Stainless steel 1.4404, M10	1283440000
<b>Pressure compensation elements</b>	Order No.
Stainless steel 1.4305, M12	1868550000
Polyamide 6, M12	1868570000

Guide value for max. number of terminals (industry)

Assembly with terminal	vertical	horizontal
2.5 mm <sup>2</sup>	*	1x13
4 mm <sup>2</sup>	*	1x11
6 mm <sup>2</sup>		1x8
10 mm <sup>2</sup>		1x6
16 mm <sup>2</sup>		

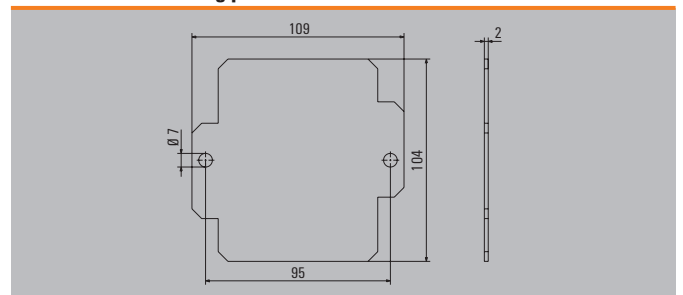
**Note** \*Please refer to the Terminal Block Catalogue or the SAK Series for more information about populating the enclosures with terminal blocks. We recommend BK 6 or BK 6 CRN (0625220000) for vertical installations. There are no specified mounting options available for mounting the enclosure in a vertical position. There are no pre-defined mounting points set within this enclosure for installing internal equipment in a vertical position.

Guide value for max. number of cable entries

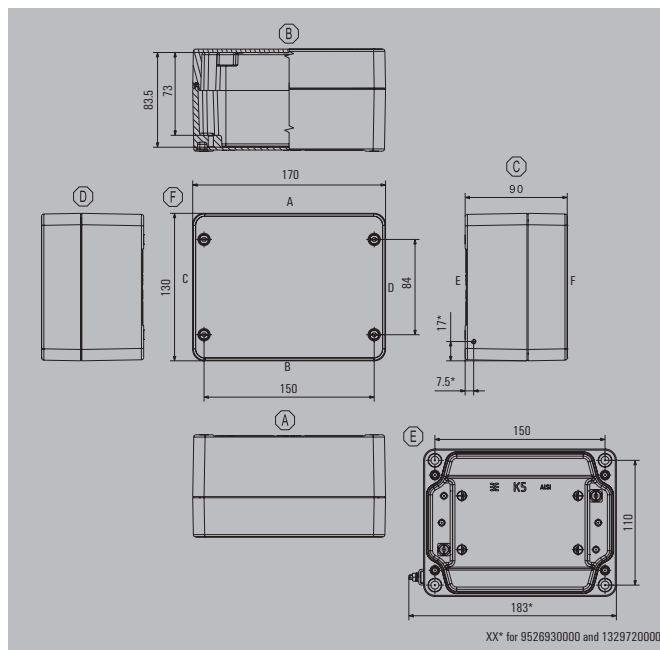
Cable entries	A / B	C / D
M12	6	4
M16	6	4
M20	3	2
M25	2	1
M32	1	1
M40		
M50		
M63		

**Note** Our IP68 brass cable glands are used as the reference for these guideline values.

Dimensions of mounting plate



**Note** The accessory sets contain the necessary mounting materials. Necessary on use of 1 hinge per longitudinal side. Helicoil for outdoor applications, available ex-works.



Height / Width / Depth 130 / 170 / 90 mm

**Ordering data**

powder-coated (RAL 7001)	Order No.
Standard (CR seal)	9529210000
Standard (silicone seal)*	1937860000
unpainted	Order No.
Standard (CR seal)	0342400000
Standard (silicone seal)*	1939650000

**Note** The colours of painted enclosures may vary under certain circumstances. Ex-enclosures are available on request. \*Delivery time on request

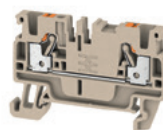
**Accessories**

<b>Terminal rail, Set</b>	Order No.
35 mm width	1910080000
<b>Mounting plate</b>	Order No.
Steel sheet, zinc plated	3073080000
<b>Hinge, diecast zinc, Set</b>	Order No.
	1580360000
<b>External mounting feet, set of 4</b>	Order No.
Stainless steel 1.4301 natural	9529080000
<b>Torx® screw driver</b>	Order No.
not insulated, Torx® T20	2749520000
<b>Earthing stud</b>	Order No.
Brass, M6	1277250000
Stainless steel 1.4404, M6	1283430000
Brass, M10	1277220000
Stainless steel 1.4404, M10	1283440000
<b>Pressure compensation elements</b>	Order No.
Stainless steel 1.4305, M12	1868550000
Polyamide 6, M12	1868570000

**Note** The accessory sets contain the necessary mounting materials. Necessary on use of 1 hinge per longitudinal side. Helicoil for outdoor applications, available ex-works.

**Guide value for max. number of terminals (industry)**

Assembly with terminal	vertical	horizontal
2.5 mm <sup>2</sup>	*	1x20
4 mm <sup>2</sup>	*	1x17
6 mm <sup>2</sup>		1x12
10 mm <sup>2</sup>		1x10
16 mm <sup>2</sup>		1x8



**Note** The mounting rails are designed to be installed directly. Assembly with terminals provides for 10 mm clearance to the ends of the mounting rail. Order recommendations: TS 35 mounting rail with WDU clamping yoke technology, ZDU spring-cage terminal block or A2C PUSH IN technology. Ordering information for the terminal blocks, please refer to the online catalogue. \*For fitting the enclosures with terminal blocks, please refer to the Terminal block catalogue or the SAK series. We recommend BK 6 or BK 6 CRN (0625220000) for vertical installations. There are no specified mounting options available for mounting the enclosure in a vertical position. There are no pre-defined mounting points set within this enclosure for installing internal equipment in a vertical position.

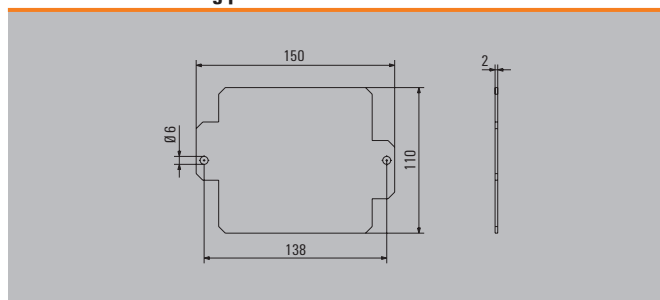
**Guide value for max. number of cable entries**

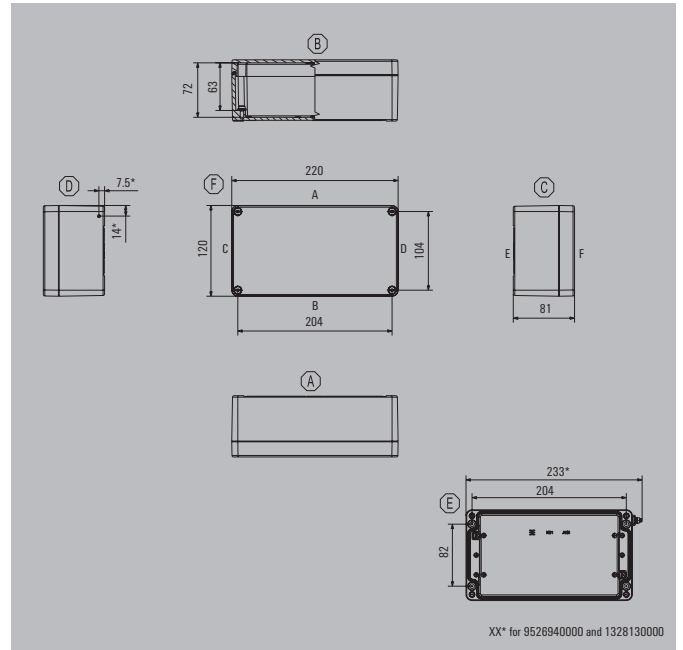
Cable entries	A / B	C / D
M12	11	4
M16	8	2
M20	4	1
M25	3	1
M32	2	1
M40		
M50		
M63		



**Note** Our IP68 brass cable glands are used as the reference for these guideline values.

**Dimensions of mounting plate**





Height / Width / Depth 120 / 220 / 81 mm

**Ordering data**

powder-coated (RAL 7001)		Order No.
	Standard (CR seal)	9529220000
	Standard (silicone seal)*	1937750000
unpainted		
	Standard (CR seal)	1565280000
	Standard (silicone seal)*	1939660000

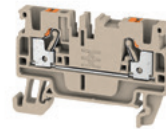
**Note** The colours of painted enclosures may vary under certain circumstances. Ex-enclosures are available on request. \*Delivery time on request

**Accessories**

Terminal rail, Set		Order No.
	35 mm width	1910090000
Mounting plate		
	Steel sheet, zinc plated	3073090000
Hinge, diecast zinc, Set		1580360000
External mounting feet, set of 4		
	Stainless steel 1.4301 natural	9527590000
Torx® screw driver		
	not insulated, Torx® T20	2749520000
Earthing stud		
	Brass, M6	1277250000
	Stainless steel 1.4404, M6	1283430000
	Brass, M10	1277220000
	Stainless steel 1.4404, M10	1283440000
Pressure compensation elements		
	Stainless steel 1.4305, M12	1868550000
	Polyamide 6, M12	1868570000

**Guide value for max. number of terminals (industry)**

Assembly with terminal	vertical	horizontal
	2.5 mm <sup>2</sup>	* 1x31
	4 mm <sup>2</sup>	* 1x26
	6 mm <sup>2</sup>	1x19
	10 mm <sup>2</sup>	1x16
	16 mm <sup>2</sup>	



**Note** The mounting rails are designed to be installed directly. Assembly with terminals provides for 10 mm clearance to the ends of the mounting rail. Order recommendations: TS 35 mounting rail with WDU clamping yoke technology, ZDU spring-cage terminal block or A2C PUSH IN technology. Ordering information for the terminal blocks, please refer to the online catalogue. \*For fitting the enclosures with terminal blocks, please refer to the Terminal block catalogue or the SAK series. We recommend BK 6 or BK 6 CRN (0625220000) for vertical installations. There are no specified mounting options available for mounting the enclosure in a vertical position. There are no pre-defined mounting points set within this enclosure for installing internal equipment in a vertical position.

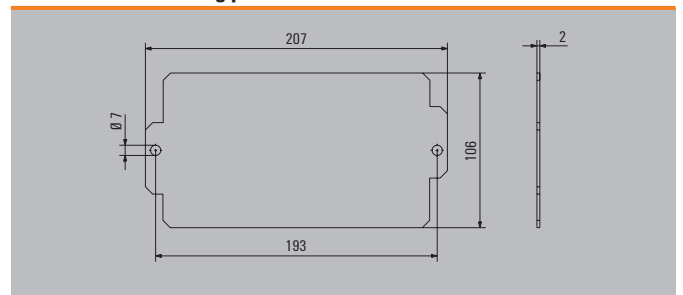
**Guide value for max. number of cable entries**

Cable entries	A / B	C / D
	M12	23
	M16	14
	M20	8
	M25	5
	M32	3
	M40	3
	M50	
	M63	

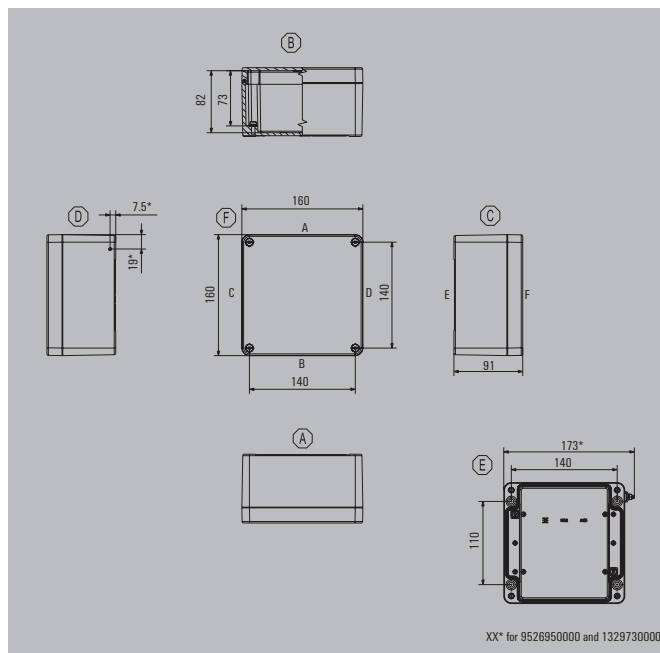


**Note** Our IP68 brass cable glands are used as the reference for these guideline values.

**Dimensions of mounting plate**



**Note** The accessory sets contain the necessary mounting materials. Necessary on use of 2 hinges per longitudinal side. Helicoil for outdoor applications, available ex-works.



Height / Width / Depth	160 / 160 / 91 mm
------------------------	-------------------

**Ordering data**

powder-coated (RAL 7001)	Order No.
Standard (CR seal)	9529230000
Standard (silicone seal)*	1937740000
unpainted	Order No.
Standard (CR seal)	1565290000
Standard (silicone seal)*	1939670000

**Note** The colours of painted enclosures may vary under certain circumstances. Ex-enclosures are available on request. \*Delivery time on request

**Accessories**

Terminal rail, Set	Order No.
35 mm width	1910100000
Mounting plate	Order No.
Steel sheet, zinc plated	3073100000
Hinge, diecast zinc, Set	Order No.
	1580360000
External mounting feet, set of 4	Order No.
Stainless steel 1.4301 natural	9527590000
Torx®screw driver	Order No.
not insulated, Torx® T20	2749520000
Earthing stud	Order No.
Brass, M6	1277250000
Stainless steel 1.4404, M6	1283430000
Brass, M10	1277220000
Stainless steel 1.4404, M10	1283440000
Pressure compensation elements	Order No.
Stainless steel 1.4305, M12	1868550000
Polyamide 6, M12	1868570000

**Note** The accessory sets contain the necessary mounting materials. Necessary on use of 1 hinge per longitudinal side. Helicoil for outdoor applications, available ex-works.

**Guide value for max. number of terminals (industry)**

Assembly with terminal	vertical	horizontal
2.5 mm <sup>2</sup>	*	1x16
4 mm <sup>2</sup>	*	1x13
6 mm <sup>2</sup>		1x10
10 mm <sup>2</sup>		1x8
16 mm <sup>2</sup>		1x6

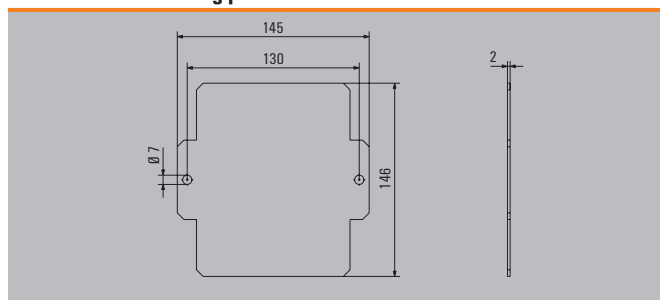
**Note** The mounting rails are designed to be installed directly. Assembly with terminals provides for 10 mm clearance to the ends of the mounting rail. Order recommendations: TS 35 mounting rail with WDU clamping yoke technology, ZDU spring-cage terminal block or A2C PUSH IN technology. Ordering information for the terminal blocks, please refer to the online catalogue. \*For fitting the enclosures with terminal blocks, please refer to the Terminal block catalogue or the SAK series. We recommend BK 6 or BK 6 CRN (0625220000) for vertical installations. There are no specified mounting options available for mounting the enclosure in a vertical position. There are no pre-defined mounting points set within this enclosure for installing internal equipment in a vertical position.

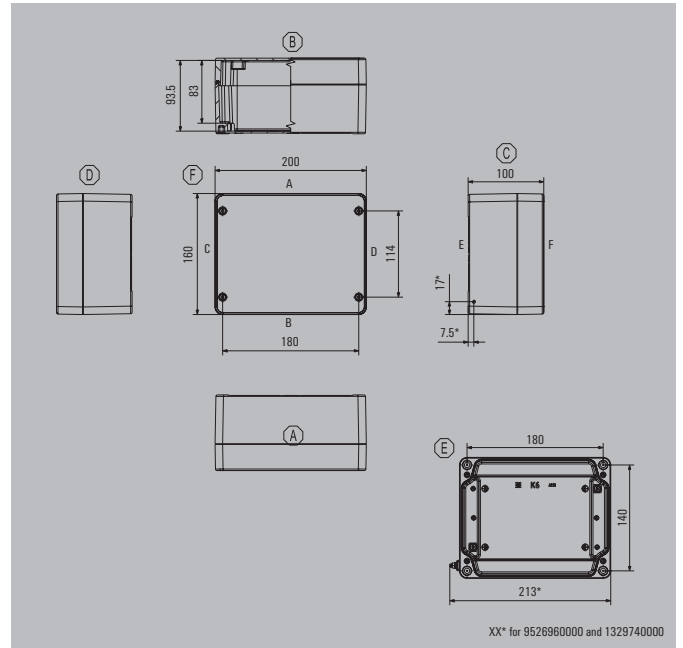
**Guide value for max. number of cable entries**

Cable entries	A / B	C / D
M12	14	8
M16	8	5
M20	5	3
M25	3	2
M32	2	1
M40	1	
M50		
M63		

**Note** Our IP68 brass cable glands are used as the reference for these guideline values.

**Dimensions of mounting plate**





Height / Width / Depth 160 / 200 / 100 mm

**Ordering data**

powder-coated (RAL 7001)	Standard (CR seal)	Order No.
	Standard (silicone seal)*	1937870000
unpainted	Standard (CR seal)	0342500000
	Standard (silicone seal)*	1939690000

**Note** The colours of painted enclosures may vary under certain circumstances. Ex-enclosures are available on request. \*Delivery time on request

**Accessories**

<b>Terminal rail, Set</b>	35 mm width	Order No.	1910110000
<b>Mounting plate</b>	Steel sheet, zinc plated		3073110000
<b>Hinge, diecast zinc, Set</b>			1580360000
<b>External mounting feet, set of 4</b>	Stainless steel 1.4301 natural		9529080000
<b>Torx® screw driver</b>	not insulated, Torx® T20		2749520000
<b>Earthing stud</b>	Brass, M6		1277250000
	Stainless steel 1.4404, M6		1283430000
	Brass, M10		1277220000
	Stainless steel 1.4404, M10		1283440000
<b>Pressure compensation elements</b>	Stainless steel 1.4305, M12		1868550000
	Polyamide 6, M12		1868570000

**Guide value for max. number of terminals (industry)**

Assembly with terminal	vertical	horizontal
2.5 mm <sup>2</sup>	*	1x25
4 mm <sup>2</sup>	*	1x21
6 mm <sup>2</sup>		1x16
10 mm <sup>2</sup>		1x12
16 mm <sup>2</sup>		1x10

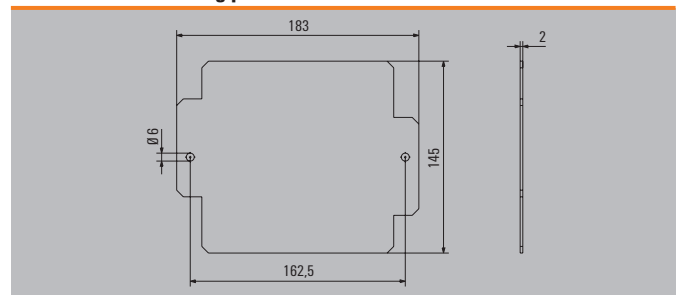
**Note** The mounting rails are designed to be installed directly. Assembly with terminals provides for 10 mm clearance to the ends of the mounting rail. Order recommendations: TS 35 mounting rail with WDU clamping yoke technology, ZDU spring-cage terminal block or A2C PUSH IN technology. Ordering information for the terminal blocks, please refer to the online catalogue. \*For fitting the enclosures with terminal blocks, please refer to the Terminal block catalogue or the SAK series. We recommend BK 6 or BK 6 CRN (0625220000) for vertical installations. There are no specified mounting options available for mounting the enclosure in a vertical position. There are no pre-defined mounting points set within this enclosure for installing internal equipment in a vertical position.

**Guide value for max. number of cable entries**

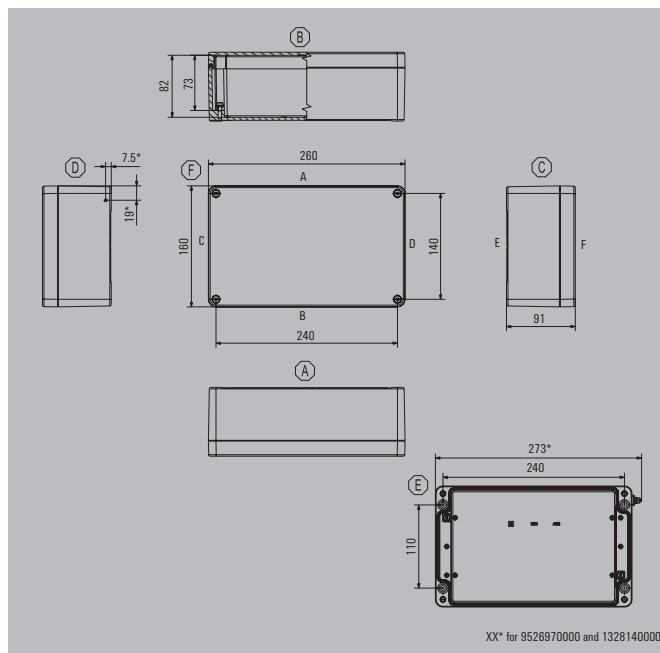
Cable entries	A / B	C / D
M12	17	6
M16	12	6
M20	7	3
M25	4	2
M32	3	2
M40	2	1
M50		
M63		

**Note** Our IP68 brass cable glands are used as the reference for these guideline values.

**Dimensions of mounting plate**



**Note** The accessory sets contain the necessary mounting materials. Necessary on use of 2 hinges per longitudinal side. Helicoil for outdoor applications, available ex-works.



Height / Width / Depth 160 / 260 / 91 mm

**Ordering data**

powder-coated (RAL 7001)	Order No.
Standard (CR seal)	9529250000
Standard (silicone seal)*	1937730000
unpainted	Order No.
Standard (CR seal)	0573600000
Standard (silicone seal)*	1939700000

**Note** The colours of painted enclosures may vary under certain circumstances. Ex-enclosures are available on request. \*Delivery time on request

**Accessories**

<b>Terminal rail, Set</b>	Order No.
35 mm width	1910120000
<b>Mounting plate</b>	Order No.
Steel sheet, zinc plated	3073120000
<b>Hinge, diecast zinc, Set</b>	1580360000
<b>External mounting feet, set of 4</b>	Order No.
Stainless steel 1.4301 natural	9527590000
<b>Torx® screw driver</b>	Order No.
not insulated, Torx® T20	2749520000
<b>Earthing stud</b>	Order No.
Brass, M6	1277250000
Stainless steel 1.4404, M6	1283430000
Brass, M10	1277220000
Stainless steel 1.4404, M10	1283440000
<b>Pressure compensation elements</b>	Order No.
Stainless steel 1.4305, M12	1868550000
Polyamide 6, M12	1868570000

**Note** The accessory sets contain the necessary mounting materials. Necessary on use of 2 hinges per longitudinal side. Helicoil for outdoor applications, available ex-works.

**Guide value for max. number of terminals (industry)**

Assembly with terminal	vertical	horizontal
2.5 mm <sup>2</sup>	*	1x39
4 mm <sup>2</sup>	*	1x33
6 mm <sup>2</sup>		1x24
10 mm <sup>2</sup>		1x20
16 mm <sup>2</sup>		1x16

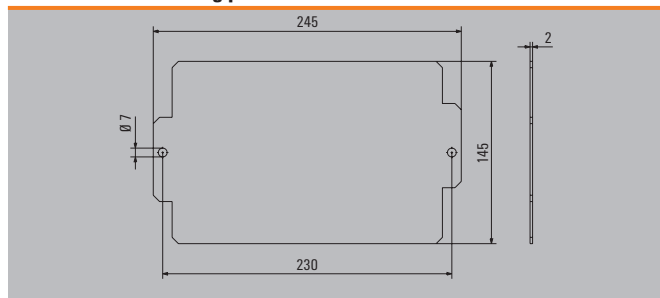
**Note** The mounting rails are designed to be installed directly. Assembly with terminals provides for 10 mm clearance to the ends of the mounting rail. Order recommendations: TS 35 mounting rail with WDU clamping yoke technology, ZDU spring-cage terminal block or A2C PUSH IN technology. Ordering information for the terminal blocks, please refer to the online catalogue. \*For fitting the enclosures with terminal blocks, please refer to the Terminal block catalogue or the SAK series. We recommend BK 6 or BK 6 CRN (0625220000) for vertical installations. There are no specified mounting options available for mounting the enclosure in a vertical position. There are no pre-defined mounting points set within this enclosure for installing internal equipment in a vertical position.

**Guide value for max. number of cable entries**

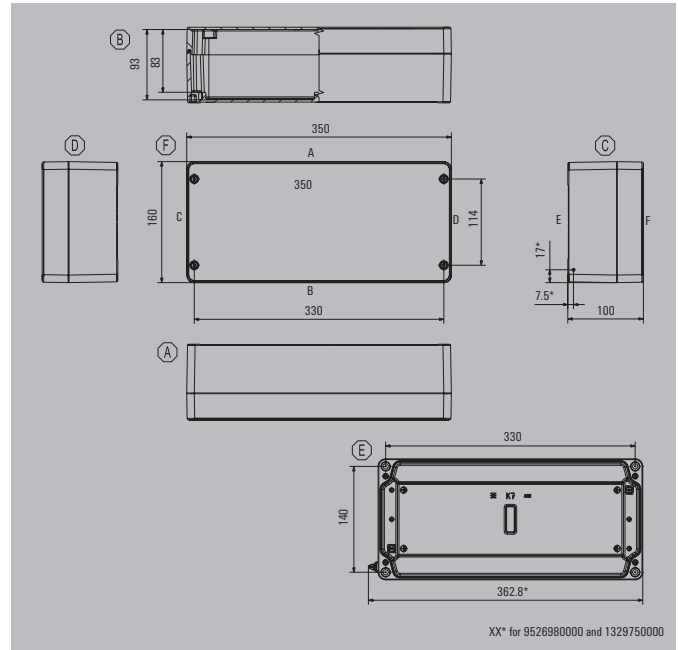
Cable entries	A / B	C / D
M12	27	8
M16	23	6
M20	13	3
M25	8	2
M32	4	1
M40	3	1
M50		
M63		

**Note** Our IP68 brass cable glands are used as the reference for these guideline values.

**Dimensions of mounting plate**







Height / Width / Depth 160 / 350 / 100 mm

**Ordering data**

powder-coated (RAL 7001)	Order No.
Standard (CR seal)	9529260000
Standard (silicone seal)*	1937880000
unpainted	Order No.
Standard (CR seal)	0342600000
Standard (silicone seal)*	1939710000

**Note** The colours of painted enclosures may vary under certain circumstances. Ex-enclosures are available on request. \*Delivery time on request

**Accessories**

Terminal rail, Set	Order No.
35 mm width	1910130000
Mounting plate	Order No.
Steel sheet, zinc plated	3073130000
Hinge, diecast zinc, Set	Order No.
	1580360000
External mounting feet, set of 4	Order No.
Stainless steel 1.4301 natural	9529080000
Torx® screw driver	Order No.
not insulated, Torx® T20	2749520000
Earthing stud	Order No.
Brass, M6	1277250000
Stainless steel 1.4404, M6	1283430000
Brass, M10	1277220000
Stainless steel 1.4404, M10	1283440000
Pressure compensation elements	Order No.
Stainless steel 1.4305, M12	1868550000
Polyamide 6, M12	1868570000

**Guide value for max. number of terminals (industry)**

Assembly with terminal	vertical	horizontal
2.5 mm <sup>2</sup>	*	1x55
4 mm <sup>2</sup>	*	1x46
6 mm <sup>2</sup>		1x34
10 mm <sup>2</sup>		1x28
16 mm <sup>2</sup>		1x23

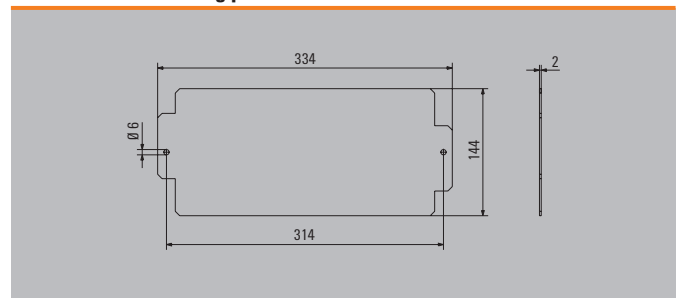
**Note** The mounting rails are designed to be installed directly. Assembly with terminals provides for 10 mm clearance to the ends of the mounting rail. Order recommendations: TS 35 mounting rail with WDU clamping yoke technology, ZDU spring-cage terminal block or A2C PUSH IN technology. Ordering information for the terminal blocks, please refer to the online catalogue. \*For fitting the enclosures with terminal blocks, please refer to the Terminal block catalogue or the SAK series. We recommend BK 6 or BK 6 CRN (0625220000) for vertical installations. There are no specified mounting options available for mounting the enclosure in a vertical position. There are no pre-defined mounting points set within this enclosure for installing internal equipment in a vertical position.

**Guide value for max. number of cable entries**

Cable entries	A / B	C / D
M12	42	8
M16	26	6
M20	17	3
M25	10	2
M32	6	2
M40	5	1
M50		
M63		

**Note** Our IP68 brass cable glands are used as the reference for these guideline values.

**Dimensions of mounting plate**



**Note** The accessory sets contain the necessary mounting materials. Necessary on use of 2 hinges per longitudinal side. Helicoil for outdoor applications, available ex-works.



230 / 280 / 111 mm

**Ordering data**

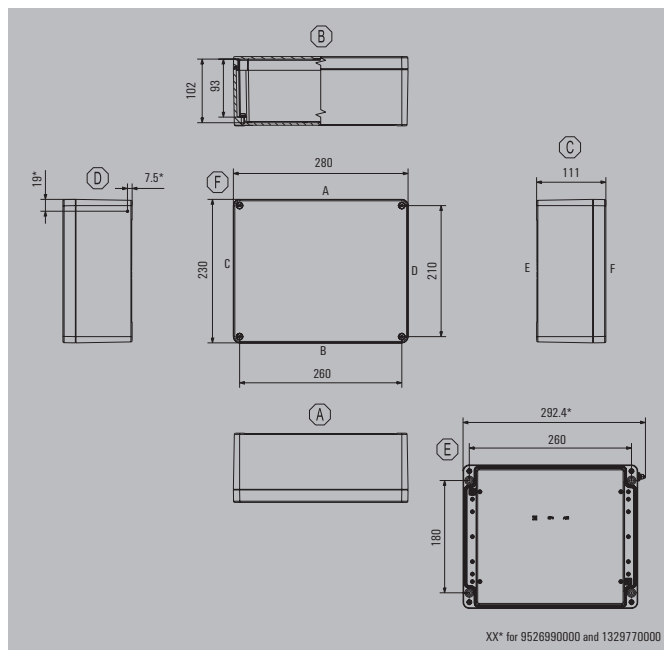
powder-coated (RAL 7001)	Order No.
Standard (CR seal)	9529270000
Standard (silicone seal)*	1937720000
unpainted	Order No.
Standard (CR seal)	0573700000
Standard (silicone seal)*	1939730000

**Note** The colours of painted enclosures may vary under certain circumstances. Ex-enclosures are available on request. \*Delivery time on request

**Accessories**

<b>Terminal rail, Set</b>	Order No.
35 mm width	1910140000
<b>Mounting plate</b>	Order No.
Steel sheet, zinc plated	3073140000
<b>Hinge, diecast zinc, Set</b>	Order No.
	1580360000
<b>External mounting feet, set of 4</b>	Order No.
Stainless steel 1.4301 natural	9527590000
<b>Torx®screw driver</b>	Order No.
not insulated, Torx® T20	2749520000
<b>Earthing stud</b>	Order No.
Brass, M6	1277250000
Stainless steel 1.4404, M6	1283430000
Brass, M10	1277220000
Stainless steel 1.4404, M10	1283440000
<b>Pressure compensation elements</b>	Order No.
Stainless steel 1.4305, M12	1868550000
Polyamide 6, M12	1868570000

**Note** The accessory sets contain the necessary mounting materials. Necessary on use of 2 hinges per longitudinal side. Helicoil for outdoor applications, available ex-works.



**Guide value for max. number of terminals (industry)**

Assembly with terminal	vertical	horizontal
2.5 mm <sup>2</sup>	*	2x43
4 mm <sup>2</sup>	*	2x36
6 mm <sup>2</sup>		2x26
10 mm <sup>2</sup>		2x21
16 mm <sup>2</sup>		2x17

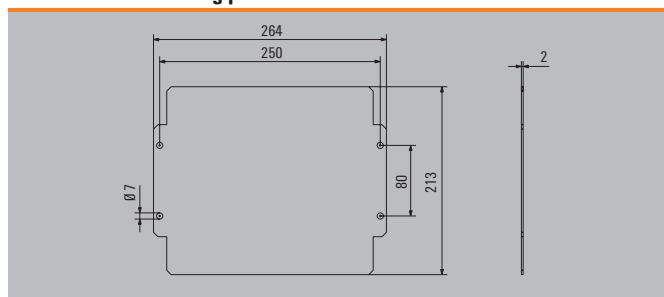
**Note** The mounting rails are designed to be installed directly. Assembly with terminals provides for 10 mm clearance to the ends of the mounting rail. Order recommendations: TS 35 mounting rail with WDU clamping yoke technology, ZDU spring-cage terminal block or A2C PUSH IN technology. Ordering information for the terminal blocks, please refer to the online catalogue. \*For fitting the enclosures with terminal blocks, please refer to the Terminal block catalogue or the SAK series. We recommend BK 6 or BK 6 CRN (0625220000) for vertical installations. There are no specified mounting options available for mounting the enclosure in a vertical position. There are no pre-defined mounting points set within this enclosure for installing internal equipment in a vertical position.

**Guide value for max. number of cable entries**

Cable entries	A / B	C / D
M12	42	28
M16	30	18
M20	21	10
M25	12	8
M32	10	3
M40	4	2
M50	3	2
M63		

**Note** Our IP68 brass cable glands are used as the reference for these guideline values.

**Dimensions of mounting plate**





# Klippon® Protect – Terminal Boxes


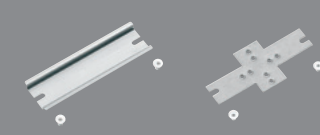











## Product overview: Aluminium enclosure

Use the product overview to find the right solution for you! Combine your own industrial version consisting of an enclosure, with or without threaded holes, a suitable mounting rail or pre-fitted terminal strips. The compatible components are always shown in a row.

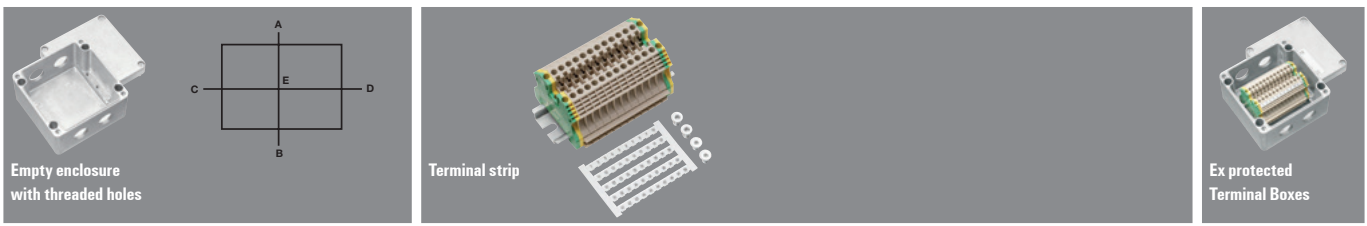
Klippon Protect enclosures with explosion protection for use in explosive risk zones are available on request.

C

### Aluminium enclosure, uncoated

Dimensions of the enclosure height x width x depth in mm	Enclosure type	Order No.	Qty.	Mounting rail (TS) Mounting plate (MOPL)			Order No.	Qty.
				Type	Length in mm	Rail mounting slot dimensions in mm		
	Empty enclosure without threaded holes							
	Mounting rail (TS) Mounting plate (MOPL)							
<b>Aluminium, uncoated</b>								
64 x 58 x 34 	Klippon® K01	1565240000	10	-	-	-	-	-
70 x 70 x 45 	Klippon® K1	0342000000	10	TS15	60	4.5 x 20	1909980000	1
80 x 75 x 57 	Klippon® K11	0573300000	10	TS15	64	4.5 x 20	1909990000	1
70 x 100 x 45 	Klippon® K2	0342100000	10	TS15	90	4.5 x 20	1910010000	1
80 x 125 x 57 	Klippon® K21	0573400000	5	TS15	114	4.5 x 20	1910020000	1
70 x 165 x 45 	Klippon® K3	0342200000	5	TS15 MOPL	155 154	4.5 x 20 4.2 x 14	1910030000	1 1
80 x 175 x 57 	Klippon® K31	0573500000	5	TS15	164	4.5 x 20	1910040000	1
82 x 130 x 72 	Klippon® K4	0342300000	1	TS35	64	5.5 x 20	1910060000	1
120 x 122 x 81 	Klippon® K41	1565270000	1	TS35	105	6.3 x 20	1910070000	1
130 x 170 x 90 	Klippon® K5	0342400000	1	TS35	148	5.5 x 20	1910080000	1
160 x 160 x 91 	Klippon® K52	1565290000	1	TS35	140	6.3 x 20	1910100000	1
		protection class IP 66		suitable for the enclosures of the respective line				

<sup>1)</sup> Multi-pole terminal strip (terminal block BK 4, BK 6 or BK 12), mounted on mounting plate  
<sup>2)</sup> Space for further threaded holes up to M40



Threaded hole Side A	Threaded hole Side B	Order No.	Qty.	Connection technology	Cross-section mm <sup>2</sup>	Number of DU*	Number of PE*	Order No.	Qty.	Order No.
----------------------	----------------------	-----------	------	-----------------------	-------------------------------	---------------	---------------	-----------	------	-----------

1x M16	1x M16	8000004184	1	Screw connection		4	4	0	7906080000	100	-
1x M16	2x M16	8000004147	1	Screw connection		4	4	0	8000004129 <sup>1)</sup>	1	8000004202
1x M20	1x M20	8000004148	1								8000004203
2x M16	2x M16	8000004149	1								8000004207
2x M20	2x M20	8000004150	1	Tension clamp connection		2.5	5	1	8000004130	1	8000004208
2x M16	2x M16			Tension clamp connection		2.5	5	1			8000004204
2x M20	2x M20			Screw connection		4	5	2			8000004209
2x M20	2x M20	8000004151	1	Screw connection		4	6	0	8000004132 <sup>1)</sup>	1	8000004210
3x M16	3x M16	8000004152	1	Screw connection		4	13	2	8000004134	1	8000004212
3x M16	3x M16			Tension clamp connection		2.5	14	2	8000004133	1	8000004211
4x M20	4x M20	8000004153	1	Screw connection		4	12	0	8000004135 <sup>1)</sup>	1	
4x M20	4x M20	8000004154	1	Screw connection		4	21	2		1	
4x M20	4x M20			Tension clamp connection		2.5	24	2	8000004136	1	8000004214
2x M20	2x M20	8000004155	1	Screw connection		4	5	2		1	
2x M20	2x M20			Tension clamp connection		4	4	1	8000004139	1	
2x M25	2x M25	8000003446	1	Screw connection		4	12	2	8000003444	1	8000003589
3x M20	3x M20	8000003447	1								
2x M25	2x M25										
3x M20	3x M20										8000003591
4x M20	4x M20	8000004158	1	Screw connection		4	17	2		1	8000004218
4x M20	4x M20			Tension clamp connection		4	15	2		1	8000004219
4x M20	4x M20		1	Screw connection		4	16	2	8000004142	1	8000004220
4x M20	4x M20			Tension clamp connection		2.5	19	2	8000004143	1	8000004221

suitable for the enclosure of the respective line  
 \*DU = feed-through terminals, PE = PE terminals

Ex-enclosure with threaded holes and terminal strip according to the respective line

## Safely control work processes in harsh environments on site

### With certified enclosure solutions with control and display elements

C

Harsh industrial environments, such as those in the water treatment industry, place extreme demands on the safety, robustness and quality of products and devices.

We meet these challenges with the Klippon® Control Station, the addition to our range of customised enclosure solutions. More than 50 years of expertise have made us market leader in this area with global competence centres. The basis of our enclosure solutions is provided by the usual Weidmüller quality and comprehensive approvals for explosion hazard areas. Based on this, our sturdy “on-site control station” is available in two standard sizes and with up to four control and display elements and provides a flexible solution to meet your specific needs.

Order your distributor enclosure as well as control and signaling units from a single source and from one enclosure design – for reliable security and reduced storage costs for maintenance and repair operations.

#### **Your special advantages: Ideal for urgent service calls**

We have prepared modules of the proven Klippon® enclosure series K available for you for further processing. This means we manufacture a control solution suitable for your application at short notice.



Predestined for emergency shutdown applications:  
Klippon® Control Stations score when it comes to the safe shutdown of plant sections, such as in the process industry

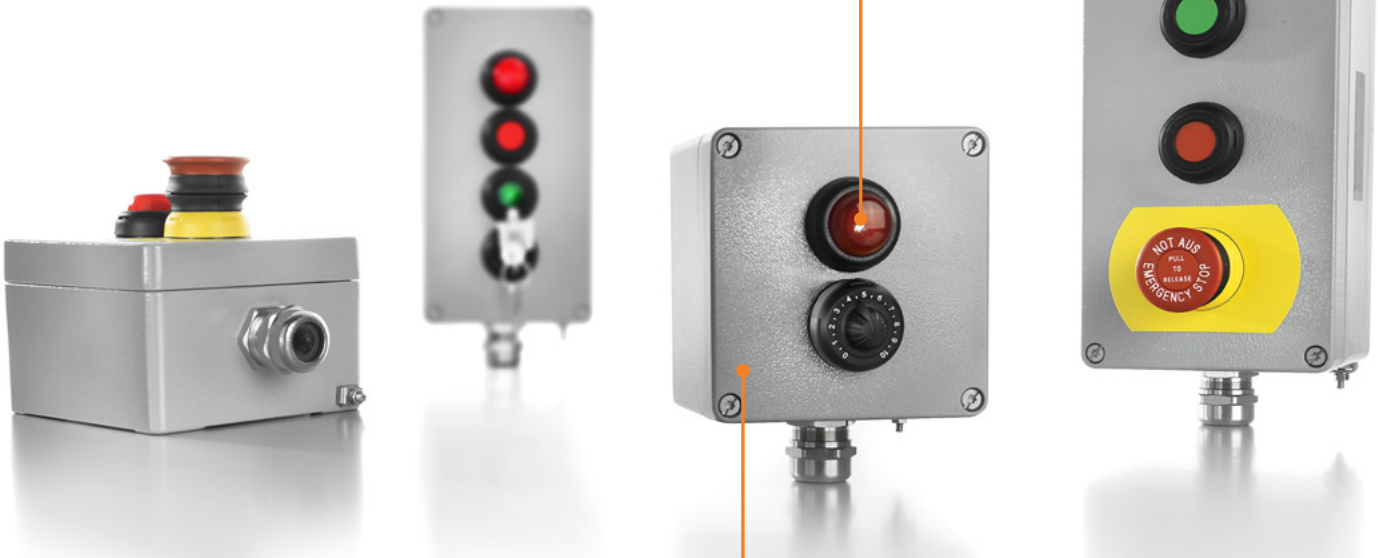
**Project solutions from a single source**

Obtain command/signaling units and distribution and control boxes as a complete solution – tailored to the individual requirements of your projects in hazardous areas.



**Customised assembly**

In addition to standard types from stock, you can obtain enclosure solutions from us that are completely assembled and equipped according to customer requirements.



**A variety of sizes and materials**

Enclosures in stainless steel, aluminium or polyester are available for different environmental conditions. Depending on the size of the enclosure, it provides space for the integration of up to four control and display elements.

**International certificates**

The Klippon® Control Station is tested and certified among others according to ATEX and IECEx.



## Reliable stability for all applications

### Klippon® Protect – convincing with impact-resistant aluminium enclosures

Aluminium enclosures (Klippon® K) can be used with a wide range of applications and are ideally suited for the assembly of terminal blocks, switches, power supplies, operating and display elements or electronic modules. Available in aluminium alloy and powder coated RAL 7001. The mounting holes are located outside the sealing area, while a corresponding thread enables mounting rails and mounting plates to be affixed.

#### Additional features:

- Standardised enclosure with integrated threaded holes
- Cover attachment with corrosion-resistant Torx slothead screws
- Fastening by means of mounting feet or internal mounting holes
- Splice-free seals for optimum ingress protection up to IP 66



#### Technical data

Material	Aluminium alloy (AL-Si12)
Surface finish	Powder-coated
Colour	RAL 7001
IP protection class	IP 54; IP 66
Ambient temperature	-55 °C to 55 °C
Seal material of enclosure	Silicone (VMQ)
Seal material of command and signalling units	EPDM
Flammability rating	-
Impact resistance IK	7 joules in acc. with IEC60079-0 4 joules in acc. with IEC60079-0 with integrated illuminated pushbutton or light module
Cable gland material	Nickel-plated brass
Cable gland clamping area min. - max. in mm	
M20	3-12 mm
M25	10-18 mm
Max. rated cross-section	2.5 mm <sup>2</sup>
Max. operating voltage with integrated illuminated pushbutton or light module	400 V
Maximum operating current at 40 °C ambient temperature	250 V
1.5 mm <sup>2</sup> - T6	10 A
1.5 mm <sup>2</sup> - T5	16 A
2.5 mm <sup>2</sup> - T6	16 A
Maximum operating current at 55 °C ambient temperature	
1.5 mm <sup>2</sup> - T4	16 A
1.5 mm <sup>2</sup> - T5	10 A
2.5 mm <sup>2</sup> - T5	16 A
Temperature class	T4, T5, T6
Type of mounting	Wall mounting
Earthing inside	Earth terminal
Lid attachment	Torx® 20 slothead screws
Lid screw torque	2.5 Nm
Earthing torque	2.5 Nm
Earthing outside	M4 earthing studs, stainless steel
Approvals	IECEXITA14.0013X TUEV14ATEX7606X
Marking	2G Ex e d IIC T* Gb 2G Ex ib d [ia] IIC T* Gb 2D Ex tb IIC T80/100 °C Db 9527590000
Mounting feet	

#### Aluminium

Material	Aluminium alloy (AL-Si12)
Surface finish	Powder-coated
Colour	RAL 7001
IP protection class	IP 54; IP 66
Ambient temperature	-55 °C to 55 °C
Seal material of enclosure	Silicone (VMQ)
Seal material of command and signalling units	EPDM
Flammability rating	-
Impact resistance IK	7 joules in acc. with IEC60079-0 4 joules in acc. with IEC60079-0 with integrated illuminated pushbutton or light module
Cable gland material	Nickel-plated brass
Cable gland clamping area min. - max. in mm	
M20	3-12 mm
M25	10-18 mm
Max. rated cross-section	2.5 mm <sup>2</sup>
Max. operating voltage with integrated illuminated pushbutton or light module	400 V
Maximum operating current at 40 °C ambient temperature	250 V
1.5 mm <sup>2</sup> - T6	10 A
1.5 mm <sup>2</sup> - T5	16 A
2.5 mm <sup>2</sup> - T6	16 A
Maximum operating current at 55 °C ambient temperature	
1.5 mm <sup>2</sup> - T4	16 A
1.5 mm <sup>2</sup> - T5	10 A
2.5 mm <sup>2</sup> - T5	16 A
Temperature class	T4, T5, T6
Type of mounting	Wall mounting
Earthing inside	Earth terminal
Lid attachment	Torx® 20 slothead screws
Lid screw torque	2.5 Nm
Earthing torque	2.5 Nm
Earthing outside	M4 earthing studs, stainless steel
Approvals	IECEXITA14.0013X TUEV14ATEX7606X
Marking	2G Ex e d IIC T* Gb 2G Ex ib d [ia] IIC T* Gb 2D Ex tb IIC T80/100 °C Db 9527590000
Mounting feet	



Use our online catalogue to find additional product details, technical information and additional services:

[www.weidmueller.com/klipponcontrolstation](http://www.weidmueller.com/klipponcontrolstation)





	Number of built-in components				Emergency stop pushbutton	Key switch	Pushbutton		Illuminated pushbutton		Light module		Dimensions with built-in components HxWxD in mm	Designation	Cable gland	Order number		
	•	•	•	•	red	I - 0 - II	red	green	red	green	red	green						
Aluminium	•				1								149x120x119	KLIPPON CS K41-1	VG M20	1537470000		
	•							1					149x120x94	KLIPPON CS K41-1	VG M20	1537480000		
	•					1							149x120x108	KLIPPON CS K41-1	VG M20	1537490000		
	•									1			149x120x96	KLIPPON CS K41-1	VG M20	1537500000		
	•							1	1				152x120x119	KLIPPON CS K41-4	VG M25	1537510000		
	•								1			1	152x120x103	KLIPPON CS K41-4	VG M25	1537520000		
	•				1							1	152x120x119	KLIPPON CS K41-4	VG M25	1537530000		
		•						1	1			1	250x120x103	KLIPPON CS K51-2	VG M25	1537540000		
			•					1	2				250x120x94	KLIPPON CS K51-2	VG M25	1537550000		
			•		1			1	1				250x120x119	KLIPPON CS K51-2	VG M25	1537570000		
				•				1	1			1	1	250x120x103	KLIPPON CS K51-4	VG M25	1537580000	

**Klippon® CS K41-1**



**Klippon® CS K41-1**



**Technical data**

<b>Enclosure</b>	
Dimensions with installation (HxBxD)	
Material	
<b>General characteristics</b>	
Surface finish / Colour	
Protection class	
Ambient temperature	
Impact resistance	
Enclosure seal material	
Seal material of operating and display elements	
Type of mounting	
Internal earth	
External earth	
Lid attachment	
Torque for lid screws	
Earth stud torque	
<b>Electrical properties*</b>	
Wire connection cross section, finely stranded, max.	
Operating voltage, max.	
Temperature class	
<b>Enclosure assembly</b>	
1 Position in enclosure	
2 Position in enclosure	
3 Position in enclosure	
4 Position in enclosure	
Contact design	
Actuators	
Actuator colour	
Illumination module colour	
Illuminated button actuator colour	
<b>Cable entries</b>	
Drill holes side B	
Cable gland	
Clamping range min. / max.	
<b>Approval and Marking</b>	
Standards	
Certificate No. (IECEX)	
Certificate No. (ATEX)	
Certificate no. (INMETRO)	
Marking	
<b>Accessories</b>	
Mounting feet	

149 / 120 / 119 mm
Aluminium AlSi12
Powder-coated / Silver grey
IP54, IP66
-55 °C...+55 °C
7 joules in acc. with IEC 60079-0
Silicone (VMQ)
EPDM
Wall mounting
Earth terminal
M4 earthing studs, stainless steel
Torx®-20 slothead screws
2.5 Nm
2.5 Nm
2.5 mm <sup>2</sup>
400 V
T4, T5, T6
EMERGENCY-STOP pushbutton with yellow, contrasting label
2 NC contact, positive opening contacts
EMERGENCY STOP pushbutton
red
1 x M20
1460050000 - VG M20 EXE MS
3 mm / 12 mm
IEC 60079-0, IEC 60079-7, IEC 60079-31
IECEXITA14.0013X
TUEV14ATEX7606X
II 2 G Ex d e IIC T* Gb
II 2 D Ex tb IIIC T*°C Db
9527590000 - KLIPPON K MF KIT 25

149 / 120 / 94 mm
Aluminium AlSi12
Powder-coated / Silver grey
IP54, IP66
-55 °C...+55 °C
7 joules in acc. with IEC 60079-0
Silicone (VMQ)
EPDM
Wall mounting
Earth terminal
M4 earthing studs, stainless steel
Torx®-20 slothead screws
2.5 Nm
2.5 Nm
2.5 mm <sup>2</sup>
400 V
T4, T5, T6
Pushbutton - green
1 NC contact, 1 NO contacts
Pushbutton
green
1 x M20
1460050000 - VG M20 EXE MS
3 mm / 12 mm
IEC 60079-0, IEC 60079-7, IEC 60079-31
IECEXITA14.0013X
TUEV14ATEX7606X
II 2 G Ex d e IIC T* Gb
II 2 D Ex tb IIIC T*°C Db
9527590000 - KLIPPON K MF KIT 25

<b>Note</b>
-------------

**Ordering data**

<b>Type</b>	<b>Qty.</b>	<b>Order No.</b>
KLIPPON CS K41-1	1	1537470000

<b>Type</b>	<b>Qty.</b>	<b>Order No.</b>
KLIPPON CS K41-1	1	1537480000

<b>Note</b>
-------------

\*Other temperature classes and connection values on request, or see "Notice to Installer".

\*Other temperature classes and connection values on request, or see "Notice to Installer".

Klippon® CS K41-1



149 / 120 / 108 mm
Aluminium AISI12
Powder-coated / Silver grey
IP54, IP66
-55 °C...+55 °C
7 joules in acc. with IEC 60079-0
Silicone (VMQ)
EPDM
Wall mounting
Earth terminal
M4 earthing studs, stainless steel
Torx®-20 slothead screws
2.5 Nm
2.5 Nm
2.5 mm <sup>2</sup>
400 V
T4, T5, T6
Key-operated switch
1 NC contact, 1 NO contacts
Key-operated switch, 3 switching positions, I - 0 - II, (I + II), latching, Key retractable
1 x M20
1460050000 - VG M20 EXE MS
3 mm / 12 mm
IEC 60079-0, IEC 60079-7, IEC 60079-31
IECEXITA14.0013X
TUEV14ATEX7606X
II 2 G Ex d e IIC T* Gb
II 2 D Ex tb IIIC T*°C Db
9527590000 - KLIPPON K MF KIT 25

Klippon® CS K41-1



149 / 120 / 96 mm
Aluminium AISI12
Powder-coated / Silver grey
IP54, IP66
-55 °C...+55 °C
4 joules in acc. with IEC 60079-0
Silicone (VMQ)
EPDM
Wall mounting
Earth terminal
M4 earthing studs, stainless steel
Torx®-20 slothead screws
2.5 Nm
2.5 Nm
2.5 mm <sup>2</sup>
250 V
T4, T5, T6
Illuminated pushbutton - green
2 NO contacts
Pushbutton
green
green
1 x M20
1460050000 - VG M20 EXE MS
3 mm / 12 mm
IEC 60079-0, IEC 60079-7, IEC 60079-31
IECEXITA14.0013X
TUEV14ATEX7606X
II 2 G Ex d e IIC T* Gb
II 2 D Ex tb IIIC T*°C Db
9527590000 - KLIPPON K MF KIT 25

Klippon® CS K41-4



152 / 120 / 119 mm
Aluminium AISI12
Powder-coated / Silver grey
IP54, IP66
-55 °C...+55 °C
7 joules in acc. with IEC 60079-0
Silicone (VMQ)
EPDM
Wall mounting
Earth terminal
M4 earthing studs, stainless steel
Torx®-20 slothead screws
2.5 Nm
2.5 Nm
2.5 mm <sup>2</sup>
400 V
T4, T5, T6
Pushbutton - red
Pushbutton - green
2 NC contact, 2 NO contacts
Pushbutton
red, green
1 x M25
1460070000 - VG M25 EXE MS
10 mm / 18 mm
IEC 60079-0, IEC 60079-7, IEC 60079-31
IECEXITA14.0013X
TUEV14ATEX7606X
II 2 G Ex d e IIC T* Gb
II 2 D Ex tb IIIC T*°C Db
9527590000 - KLIPPON K MF KIT 25

Type	Qty.	Order No.
KLIPPON CS K41-1	1	1537490000

Type	Qty.	Order No.
KLIPPON CS K41-1	1	1537500000

Type	Qty.	Order No.
KLIPPON CS K41-4	1	1537510000

\*Other temperature classes and connection values on request, or see "Notice to Installer".

\*Other temperature classes and connection values on request, or see "Notice to Installer".

\*Other temperature classes and connection values on request, or see "Notice to Installer".

Klippon® CS K41-4



Klippon® CS K41-4



Technical data

<b>Enclosure</b>	
Dimensions with installation (HxBxD)	
Material	
<b>General characteristics</b>	
Surface finish / Colour	
Protection class	
Ambient temperature	
Impact resistance	
Enclosure seal material	
Seal material of operating and display elements	
Type of mounting	
Internal earth	
External earth	
Lid attachment	
Torque for lid screws	
Earth stud torque	
<b>Electrical properties*</b>	
Wire connection cross section, finely stranded, max.	
Operating voltage, max.	
Temperature class	
<b>Enclosure assembly</b>	
1 Position in enclosure	
2 Position in enclosure	
3 Position in enclosure	
4 Position in enclosure	
Contact design	
Actuators	
Actuator colour	
Illumination module colour	
Illuminated button actuator colour	
<b>Cable entries</b>	
Drill holes side B	
Cable gland	
Clamping range min. / max.	
<b>Approval and Marking</b>	
Standards	
Certificate No. (IECEX)	
Certificate No. (ATEX)	
Certificate no. (INMETRO)	
Marking	
<b>Accessories</b>	
Mounting feet	

152 / 120 / 103 mm
Aluminium AlSi12
Powder-coated / Silver grey
IP54, IP66
-55 °C...+55 °C
4 joules in acc. with IEC 60079-0
Silicone (VMQ)
EPDM
Wall mounting
Earth terminal
M4 earthing studs, stainless steel
Torx®-20 slothead screws
2.5 Nm
2.5 Nm
2.5 mm²
250 V
T4, T5, T6
Light module - green
Pushbutton - green
1 NC contact, 1 NO contacts
Pushbutton
green
green
1 x M25
1460070000 - VG M25 EXE MS
10 mm / 18 mm
IEC 60079-0, IEC 60079-7, IEC 60079-31
IECEXITA14.0013X
TUEV14ATEX7606X
II 2 G Ex d e IIC T* Gb
II 2 D Ex tb IIIC T*°C Db
9527590000 - KLIPPON K MF KIT 25

152 / 120 / 119 mm
Aluminium AlSi12
Powder-coated / Silver grey
IP54, IP66
-55 °C...+55 °C
4 joules in acc. with IEC 60079-0
Silicone (VMQ)
EPDM
Wall mounting
Earth terminal
M4 earthing studs, stainless steel
Torx®-20 slothead screws
2.5 Nm
2.5 Nm
2.5 mm²
250 V
T4, T5, T6
Light module - red
EMERGENCY-STOP pushbutton with yellow, contrasting label
2 NC contact, positive opening contacts
EMERGENCY STOP pushbutton
red
1 x M25
1460070000 - VG M25 EXE MS
10 mm / 18 mm
IEC 60079-0, IEC 60079-7, IEC 60079-31
IECEXITA14.0013X
TUEV14ATEX7606X
II 2 G Ex d e IIC T* Gb
II 2 D Ex tb IIIC T*°C Db
9527590000 - KLIPPON K MF KIT 25

Note
------

Ordering data

Type	Qty.	Order No.
KLIPPON CS K41-4	1	1537520000

Type	Qty.	Order No.
KLIPPON CS K41-4	1	1537530000

Note
------

\*Other temperature classes and connection values on request, or see "Notice to Installer".

\*Other temperature classes and connection values on request, or see "Notice to Installer".

Klippon® CS K51-2



250 / 120 / 103 mm
Aluminium AISi12
Powder-coated / Silver grey
IP54, IP66
-55 °C...+55 °C
4 joules in acc. with IEC 60079-0
Silicone (VMQ)
EPDM
Wall mounting
Earth terminal
M4 earthing studs, stainless steel
Torx®-20 slothead screws
2.5 Nm
2.5 Nm
2.5 mm <sup>2</sup>
250 V
T4, T5, T6
Pushbutton - red
Light module - green
Pushbutton - green
2 NC contact, 2 NO contacts
Pushbutton
red, green
green
1 x M25
1460070000 - VG M25 EXE MS
10 mm / 18 mm
IEC 60079-0, IEC 60079-7, IEC 60079-31
IECEXITA14.0013X
TUEV14ATEX7606X
II 2 G Ex d e IIC T* Gb
II 2 D Ex tb IIIC T*°C Db
9527590000 - KLIPPON K MF KIT 25

Klippon® CS K51-2



250 / 120 / 94 mm
Aluminium AISi12
Powder-coated / Silver grey
IP54, IP66
-55 °C...+55 °C
7 joules in acc. with IEC 60079-0
Silicone (VMQ)
EPDM
Wall mounting
Earth terminal
M4 earthing studs, stainless steel
Torx®-20 slothead screws
2.5 Nm
2.5 Nm
2.5 mm <sup>2</sup>
400 V
T4, T5, T6
Pushbutton - green
Pushbutton - red
Pushbutton - green
3 NC contact, 3 NO contacts
Pushbutton
green, red
1 x M25
1460070000 - VG M25 EXE MS
10 mm / 18 mm
IEC 60079-0, IEC 60079-7, IEC 60079-31
IECEXITA14.0013X
TUEV14ATEX7606X
II 2 G Ex d e IIC T* Gb
II 2 D Ex tb IIIC T*°C Db
9527590000 - KLIPPON K MF KIT 25

Klippon® CS K51-2



250 / 120 / 119 mm
Aluminium AISi12
Powder-coated / Silver grey
IP54, IP66
-55 °C...+55 °C
7 joules in acc. with IEC 60079-0
Silicone (VMQ)
EPDM
Wall mounting
Earth terminal
M4 earthing studs, stainless steel
Torx®-20 slothead screws
2.5 Nm
2.5 Nm
2.5 mm <sup>2</sup>
400 V
T4, T5, T6
Pushbutton - green
Pushbutton - red
EMERGENCY-STOP pushbutton with yellow, contrasting label
2 NO contacts, 2 NC contact, positive opening contacts
Pushbutton, EMERGENCY STOP pushbutton
green, red
1 x M25
1460070000 - VG M25 EXE MS
10 mm / 18 mm
IEC 60079-0, IEC 60079-7, IEC 60079-31
IECEXITA14.0013X
TUEV14ATEX7606X
II 2 G Ex d e IIC T* Gb
II 2 D Ex tb IIIC T*°C Db
9527590000 - KLIPPON K MF KIT 25

Type	Qty.	Order No.
KLIPPON CS K51-2	1	1537540000

Type	Qty.	Order No.
KLIPPON CS K51-2	1	1537550000

Type	Qty.	Order No.
KLIPPON CS K51-2	1	1537570000

\*Other temperature classes and connection values on request, or see "Notice to Installer".

\*Other temperature classes and connection values on request, or see "Notice to Installer".

\*Other temperature classes and connection values on request, or see "Notice to Installer".

Klippon® CS K51-4



Technical data

<b>Enclosure</b>	
Dimensions with installation (HxBxD)	250 / 120 / 103 mm
Material	Aluminium AlSi12
<b>General characteristics</b>	
Surface finish / Colour	Powder-coated / Silver grey
Protection class	IP54, IP66
Ambient temperature	-55 °C...+55 °C
Impact resistance	4 joules in acc. with IEC 60079-0
Enclosure seal material	Silicone (VMQ)
Seal material of operating and display elements	EPDM
Type of mounting	Wall mounting
Internal earth	Earth terminal
External earth	M4 earthing studs, stainless steel
Lid attachment	Torx®-20 slothead screws
Torque for lid screws	2.5 Nm
Earth stud torque	2.5 Nm
<b>Electrical properties*</b>	
Wire connection cross section, finely stranded, max.	2.5 mm <sup>2</sup>
Operating voltage, max.	250 V
Temperature class	T4, T5, T6
<b>Enclosure assembly</b>	
1 Position in enclosure	Light module - red
2 Position in enclosure	Pushbutton - red
3 Position in enclosure	Light module - green
4 Position in enclosure	Pushbutton - green
Contact design	2 NC contact, 2 NO contacts
Actuators	Pushbutton
Actuator colour	green, red
Illumination module colour	red, green
Illuminated button actuator colour	
<b>Cable entries</b>	
Drill holes side B	1 x M25
Cable gland	1460070000 - VG M25 EXE MS
Clamping range min. / max.	10 mm / 18 mm
<b>Approval and Marking</b>	
Standards	IEC 60079-0, IEC 60079-7, IEC 60079-31
Certificate No. (IECEX)	IECEXITA14.0013X
Certificate No. (ATEX)	TUEV14ATEX7606X
Certificate no. (INMETRO)	
Marking	II 2 G Ex d e IIC T* Gb II 2 D Ex tb IIIC T*°C Db
<b>Accessories</b>	
Mounting feet	9527590000 - KLIPPON K MF KIT 25

<b>Note</b>	
-------------	--

Ordering data

Type	Qty.	Order No.
KLIPPON CS K51-4	1	1537580000

<b>Note</b>	*Other temperature classes and connection values on request, or see "Notice to Installer".
-------------	--



## Klippon® POK – Polyester Enclosures

Universal terminal boxes for standard industrial applications and for potentially explosive atmospheres in Zones 1 and 2, 21 and 22

### C

The Klippon® POK enclosure range is made from a high-quality glass fibre reinforced polyester and is ideal for applications and environments where corrosion resistance, impact resistance and a high IP protection class is a requirement.

Key Features:

- Manufactured from glass fibre reinforced polyester
- Available in 17 sizes
- Two standard finishes (colours)
  - Grey, similar to RAL 7001 (industrial use)
  - Black, similar to RAL 9011 (harsh environments, Ex)
- Captive lid fixing screws are stainless steel
- Fixing holes are located outside of the lid sealing area to ensure high ingress protection of IP66
- Threaded holes for internal component mounting
- Silicone sealing for extreme temperature environments
- Impact resistance up to 7 Joules
- Approved to the latest international standards, including EN 62208 and IEC EN 60079

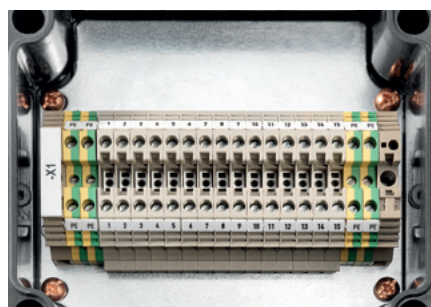
#### Cross-head screws

The enclosure lid is secured with stainless steel captive cross-head screws. Handling the enclosure is made simple. A single tool is the only requirement for quick and easy installation.



#### Mounting plates

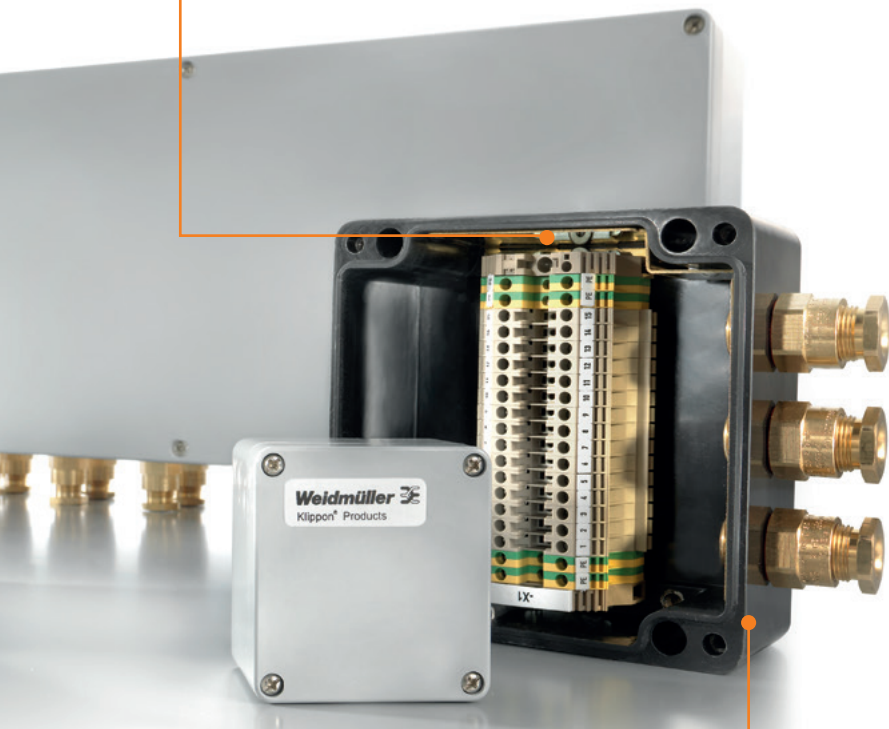
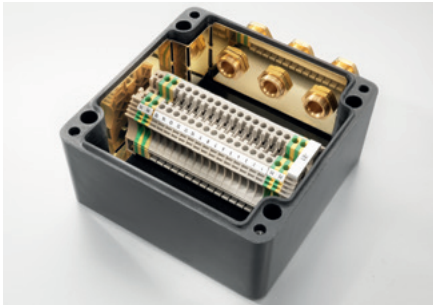
Internal mounting plates for the installation of terminal rails, terminal blocks or other equipment are available.





**Brass Earth Continuity Plate**

An angled design made to complement the Klippon® POK enclosures installed in potentially explosive atmospheres. The brass earth continuity plate is available as an optional accessory.



**Earth kit**

The Klippon® POK Ex enclosures are designed for applications installed in potentially explosive atmospheres. An M6 or M10 internal/external earth kit is available as an optional accessory.



**Other Colour**

Grey, similar to RAL7001  
 Black, similar to RAL 9011  
 Other colours are available on request (subject to a minimum order quantity).



**Enclosure wall fixing (direct or via mounting lugs)**

The fixing positions of each enclosure are located outside of the sealing area. The enclosure can be fastened directly via fixing holes found on the rear side of the enclosure or alternatively, it is possible to secure the enclosure from the outside by means of mounting lugs that are separately available.



**Closed moulded sealing**

Robust and secure sealing increases the performance of each enclosure with enhanced ingress protection.

The Klippon® POK enclosures are supplied as standard with a removable and replaceable moulded gasket.

Available in either silicone or chloroprene material and depending upon the enclosure type they are adapted to the contour of each enclosure to ensure ingress performance is maintained.



# Klippon® POK – Polyester enclosures

The Klippon® POK range of polyester enclosures are designed to protect and integrate with general purpose electrical and electronic equipment as well as control components in harsh environments or potentially explosive atmospheres.

Designed to meet the rigorous demands of industrial automation or process control and energy industries and with signal and component protection in mind, the Klippon POK enclosure range is designed to meet the customers' application needs.

Our customer specific assembly service can provide a fully customised enclosure solution, designed to meet the customer requirements.

### Features:

- For use in potentially explosive atmospheres and industrial applications
- Extremely robust with a high impact resistance
- Approved to the latest international standards
- M4 or M6 mounting elements integrated into enclosure body for installation of mounting plates, mounting rails, printed circuit boards etc.

**Note:** The enclosure range Klippon® POK can be assembled with terminals or other approved equipment by our locally available Application-Specific Solutions service. Please ask us for more details.



Use our online catalogue to find additional product details, technical information and additional services:

[www.weidmueller.com/klipponpok](http://www.weidmueller.com/klipponpok)



You can find this product family in our Weidmüller Configurator:

[www.weidmueller.com/wmc](http://www.weidmueller.com/wmc)

### Overview of enclosures

#### Ordering data

Description	Hight x width x depth in mm	Standard (grey finish)	Ex Enclosures (black finish)	Reference product
Klippon® POK 080806	75 x 80 x 55	1305810000	1306000000	Klippon® POK 1
Klippon® POK 081106	75 x 110 x 56	1305820000	1306010000	Klippon® POK 2
Klippon® POK 081606	75 x 160 x 56	1305830000	1306020000	Klippon® POK 3
Klippon® POK 081906	75 x 190 x 55	1305840000	1306030000	Klippon® POK 31
Klippon® POK 082306	75 x 230 x 56	1305850000	1306040000	Klippon® POK 32
Klippon® POK 121209	120 x 122 x 90	1305870000	1306050000	Klippon® POK 4
Klippon® POK 122209	120 x 220 x 90	1305880000	1306070000	Klippon® POK 5
Klippon® POK 161609	160 x 160 x 90	1305890000	1306080000	Klippon® POK 51
Klippon® POK 162609	160 x 260 x 90	1305900000	1306090000	Klippon® POK 6
Klippon® POK 163609	160 x 360 x 90	1305910000	1306100000	Klippon® POK 7
Klippon® POK 165609	160 x 560 x 90	1305920000	1306110000	Klippon® POK 71
Klippon® POK 252512	250 x 255 x 120	1305930000	1306120000	Klippon® POK 8
Klippon® POK 252516	250 x 255 x 160.5	1305980000	1306170000	Klippon® POK 9
Klippon® POK 254012	250 x 400 x 120	1305940000	1306130000	Klippon® POK 91
Klippon® POK 254016	250 x 400 x 160.5	1305990000	1306180000	Klippon® POK 10
Klippon® POK 256012	250 x 600 x 120	1305950000	1306140000	Klippon® POK 11
Klippon® POK 404012	405 x 400 x 120	1305970000	1306150000	Klippon® POK 12

Hinweis

## Technical Overview

### Technical data

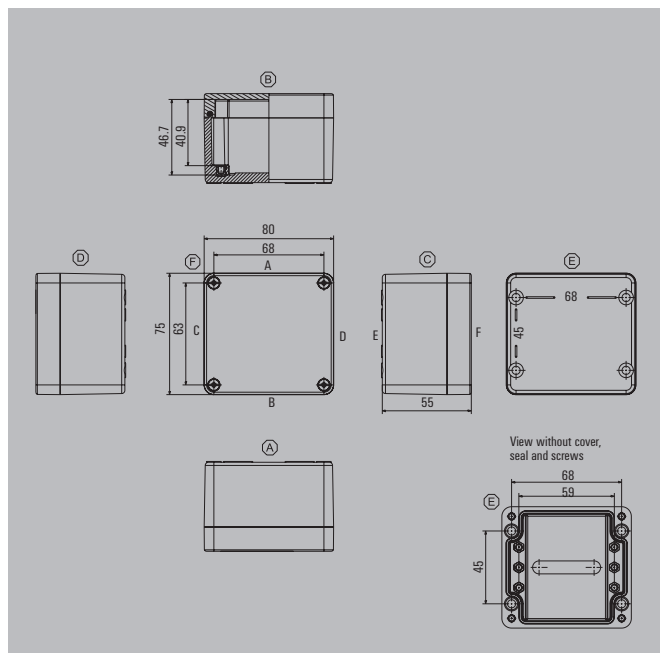
	Ex	Standard
Enclosure material	Glass fibre-reinforced polyester to DIN 16913 with added graphite	Glass fibre-reinforced polyester to DIN 16913
Surface	Black, similar to RAL 9011	Grey, similar to RAL7001
IP Rating	IP 66 to DIN EN 60529	IP 66 to DIN EN 60529
NEMA Rating	4, 4x	4, 4x
Equipment mounting	M4 to M6 threaded bushes	M4 to M6 threaded bushes
Enclosure mounting	4 holes for M4 to M6 screw	4 holes for M4 to M6 screw
Lid fixing	M4/M6 slothead / crosshead screws from stainless steel	M4/M6 slothead / crosshead screws from stainless steel
Impact Resistance	7J to IEC 60079-0	IK08 (5J) to DIN EN 50102
Gasket material	Silicone (VMQ)	Chloroprene
Temperature range	-55 °C...+100 °C	-40 °C...+100 °C
Torque screws of lid M4	2.0 - 2.5 Nm	2.0 - 2.5 Nm
Torque screws of lid M6	2.5 - 3.0 Nm	2.5 - 3.0 Nm
Surface resistance (in ohms)	< 10 <sup>9</sup> Ohm	10 <sup>12</sup> Ohm
Flammability	UL 94 V0, self extinguishing	UL 94 V0, self extinguishing
Toxicity	Halogen and cadmium-free	
<b>Note</b>		

### Approvals for empty enclosures

	Ex	Standard
ATEX certificate	IBExU13ATEX1003 U	
ATEX marking	⊕ II 2G Ex e IIC Gb or ⊕ II 2G Ex eb IIC ⊕ II 2D Ex tb IIIC Db or ⊕ II 2D Ex tb IIIC	
IECEx certificate	IECEx IBE 13.0003U	
IECEx marking	Ex e IIC Gb or Ex eb IIC Ex tb IIIC Db or Ex tb IIIC	
EAC	C-DE.HB07.B.00089/20	C-DE.HB07.B.00089/20 / C-DE.AQ54.B.00251/19
cULus	E256877	E256877
Lloyd's Register	14/20001	14/20001
Russian Maritime Register	19.00109.272	
DNV GL	TAE00002R2	TAE00002R2
AEx	E223792	
CCCEX	2020322303003288	
<b>Note</b>		

### Approvals terminal enclosures

ATEX certificate	IBExU13ATEX1004 X		
ATEX marking	⊕ II 2G Ex e IIC T6...T5 Gb or ⊕ II 2G Ex eb IIC T6...T5 ⊕ II 1G Ex ia IIC T6...T5 Ga or ⊕ II 1G Ex ia IIC T6...T5 ⊕ II 2(1)G Ex e ia IIC T6...T5 Gb or ⊕ II 2(1)G Ex eb ia IIC T6...T5 ⊕ II 2D Ex tb IIIC T 85 °C...100 °C Db or ⊕ II 2D Ex tb IIIC T 85 °C...100 °C		
IECEx certificate	IECEx IBE 13.0004X		
IECEx marking	Ex e IIC T6...T5 Gb or Ex eb IIC T6...T5 Ex ia IIC T6...T5 Ga or Ex ia IIC T6...T5 Ex e ia IIC T6...T5 Gb or Ex eb ia IIC T6...T5 Ex tb IIIC T 85 °C...100 °C Db or Ex tb IIIC T 85 °C...100 °C		
EAC certificate	C-DE.HB07.B.00089/20	AEx certificate	E223792
EAC marking	1Ex e IIC T6/T5 Gb 0Ex ia IIC T6/T5 Ga 1Ex e ia IIC T6/T5 Gb Ex tb IIIC T85°C/1100°C Db	AEx marking	Class I, Zone 1, AEx e IIC Gb T6..T4 Class I, Zone 2, AEx e IIC Gc T6..T4 Class I Div.2 Group A,B,C,D T6...T4 Class II Div.2 Group F,G Zone 21, AEx tb IIIC Db
KOSHA certificate	16-AV4B0-246X	CCCEX certificate	2020322303002628
KOSHA marking	Ex e IIC T6...T5 Gb or Ex eb IIC T6...T5 Ex ia IIC T6...T5 Ga or Ex ia IIC T6...T5 Ex e ia IIC T6...T5 Gb or Ex eb ia IIC T6...T5 Ex tb IIIC T 85 °C...100 °C Db or Ex tb IIIC T 85 °C...100 °C	CCCEX marking	Ex e IIC T6...T5 Gb Ex ia IIC T6...T5 Ga Ex e ia IIC T6...T5 Gb Ex tD A21 IP66 T85 °C/100 °C
<b>Note</b>	If you have specific requirements for installations within potentially explosive atmospheres, please contact Weidmüller for a copy of the approval certificates. For details of power dissipation, please contact your Weidmüller representative.		



Height / Width / Depth 75 / 80 / 55 mm

**Ordering data**

RAL 7001	Standard	Order No.
		1305810000
RAL 9011	Ex enclosure	Order No.
		1306000000

**Note** The overview page lists the ambient temperatures.

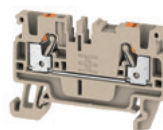
**Accessories**

Mounting plates and fastening screws	Order No.
Steel sheet, zinc plated	9510570000
Steel sheet, galvanized for applications with earthing plate	1534280000
Fastening screws for mounting plates	0642600000
Mounting rails, TS15x5	Order No.
Horizontally	8000003889
Brass Earth Continuity Plate	Order No.
Brass	1390910000
External mounting feet, set of 4	Order No.
Stainless steel 1.4301 natural	9510900000
Earthing stud	Order No.
Brass, M10	1277220000
Stainless steel 1.4404, M10	1283440000
Brass, M6	1277250000
Stainless steel 1.4404, M6	1283430000
Pressure compensation elements	Order No.
Polyamide 6, M12	1868570000
Stainless steel 1.4305, M12	1868550000
Stainless steel 1.4404, M20 for Ex applications	2519570000

**Note**

**Guide value for max. number of terminals (industry)**

Assembly with terminal	vertical	horizontal
2.5 mm <sup>2</sup>	1x1*	1x5
4 mm <sup>2</sup>	1x1*	1x4
6 mm <sup>2</sup>		
10 mm <sup>2</sup>		
16 mm <sup>2</sup>		



**Note** \* Please refer to the Terminal Block catalogue or the SAK Series for more information about assembling the enclosures with terminal blocks. We recommend a maximum of one BK 6, e.g. BK 6 CRN (0625220000), for vertical installation. There are no specified mounting options available for mounting the enclosure in a vertical position.  
 Order recommendations:  
 TS 35 mounting rail with WDU clamping yoke technology, ZDU spring-cage terminal block or A2C PUSH IN technology  
 TS 32 mounting rail with clamping yoke technology SAK  
 TS 15 mounting rail with clamping yoke technology AKZ  
 Ordering information for the terminal blocks, please refer to the online catalogue.

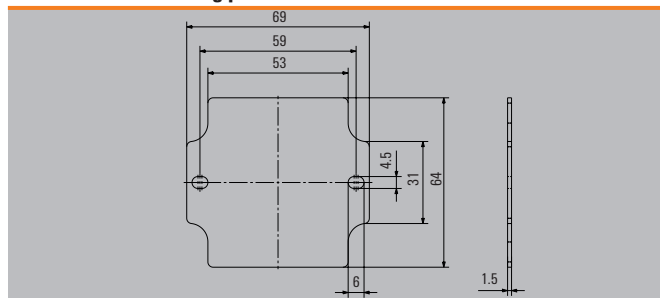
**Guide value for max. number of cable entries**

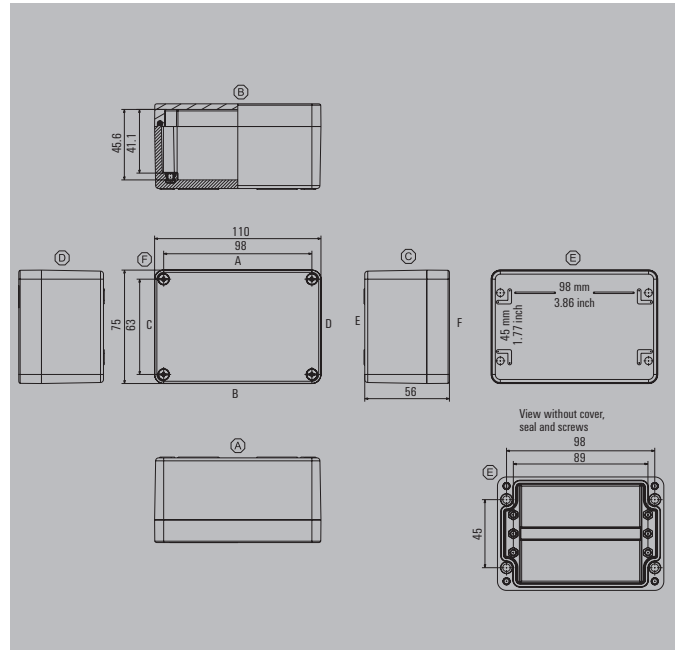
Cable entries	A / B	C / D
M12	4	1
M16	2	1
M20	1	1
M25	1	
M32		
M40		
M50		
M63		



**Note** \*\* Our IP 68 plastic cable glands are used as the reference for these guideline values.

**Dimensions of mounting plate**





Height / Width / Depth 75 / 110 / 56 mm

**Ordering data**

RAL 7001	Standard	Order No.
		1305820000
RAL 9011	Ex enclosure	Order No.
		1306010000

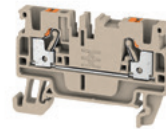
**Note** The overview page lists the ambient temperatures.

**Accessories**

Mounting plates and fastening screws	Order No.
Steel sheet, zinc plated	9510580000
Steel sheet, galvanized for applications with earthing plate	1534290000
Fastening screws for mounting plates	0642600000
Mounting rails, TS15x5	Order No.
Horizontally	8000003890
Brass Earth Continuity Plate	Order No.
Brass	1390920000
External mounting feet, set of 4	Order No.
Stainless steel 1.4301 natural	9510900000
Earthing stud	Order No.
Brass, M10	1277220000
Stainless steel 1.4404, M10	1283440000
Brass, M6	1277250000
Stainless steel 1.4404, M6	1283430000
Pressure compensation elements	Order No.
Polyamide 6, M12	1868570000
Stainless steel 1.4305, M12	1868550000
Stainless steel 1.4404, M20 for Ex applications	2519570000

**Guide value for max. number of terminals (industry)**

Assembly with terminal	vertical	horizontal
2.5 mm <sup>2</sup>	1x1*	1x10
4 mm <sup>2</sup>	1x1*	1x9
6 mm <sup>2</sup>		
10 mm <sup>2</sup>		
16 mm <sup>2</sup>		



**Note** \* Please refer to the Terminal Block catalogue or the SAK Series for more information about assembling the enclosures with terminal blocks. We recommend a maximum of one BK 6, e.g. BK 6 CRN (0625220000), for vertical installation. There are no specified mounting options available for mounting the enclosure in a vertical position.  
 Order recommendations:  
 TS 35 mounting rail with WDU clamping yoke technology, ZDU spring-cage terminal block or A2C PUSH IN technology  
 TS 32 mounting rail with clamping yoke technology SAK  
 TS 15 mounting rail with clamping yoke technology AKZ  
 Ordering information for the terminal blocks, please refer to the online catalogue.

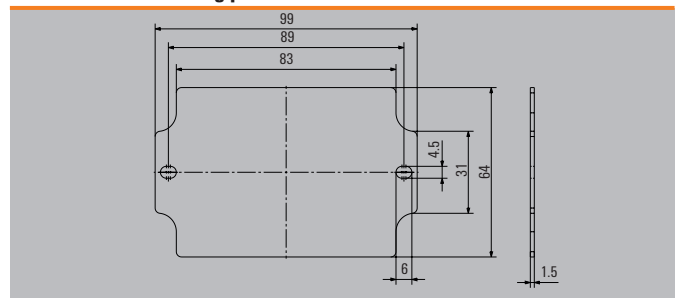
**Guide value for max. number of cable entries**

Cable entries	A / B	C / D
M12	7	1
M16	3	1
M20	2	1
M25	2	
M32		
M40		
M50		
M63		

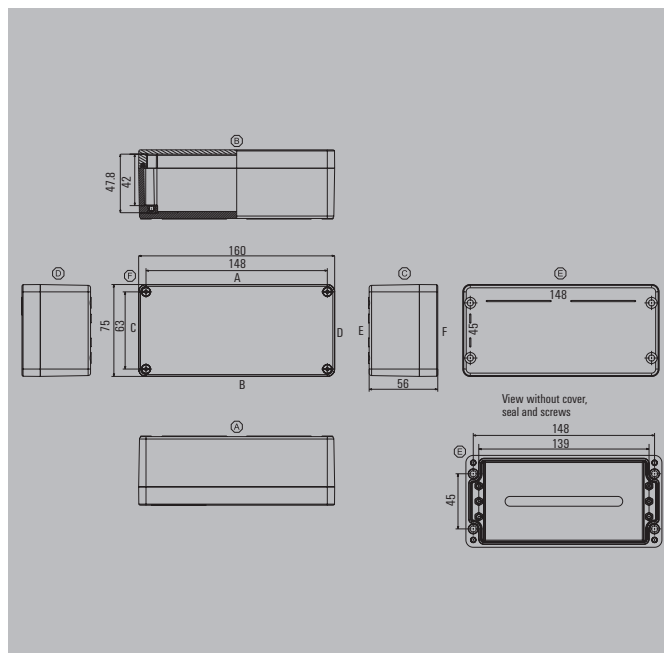


**Note** \*\* Our IP 68 plastic cable glands are used as the reference for these guideline values.

**Dimensions of mounting plate**



**Note**



Height / Width / Depth 75 / 160 / 56 mm

**Ordering data**

RAL 7001	Standard	Order No.
		1305830000
RAL 9011	Ex enclosure	Order No.
		1306020000

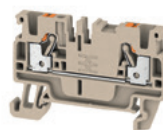
**Note** The overview page lists the ambient temperatures.

**Accessories**

Mounting plates and fastening screws	Order No.
Steel sheet, zinc plated	9510680000
Steel sheet, galvanized for applications with earthing plate	1534310000
Fastening screws for mounting plates	0642600000
Mounting rails, TS15x5	Order No.
Horizontally	8000003891
Brass Earth Continuity Plate	Order No.
Brass	1390930000
External mounting feet, set of 4	Order No.
Stainless steel 1.4301 natural	9510900000
Earthing stud	Order No.
Brass, M10	1277220000
Stainless steel 1.4404, M10	1283440000
Brass, M6	1277250000
Stainless steel 1.4404, M6	1283430000
Pressure compensation elements	Order No.
Polyamide 6, M12	1868570000
Stainless steel 1.4305, M12	1868550000
Stainless steel 1.4404, M20 for Ex applications	2519570000

**Guide value for max. number of terminals (industry)**

Assembly with terminal	vertical	horizontal
2.5 mm <sup>2</sup>	*	1x20
4 mm <sup>2</sup>	*	1x17
6 mm <sup>2</sup>		
10 mm <sup>2</sup>		
16 mm <sup>2</sup>		



**Note** \* Please refer to the Terminal Block catalogue or the SAK Series for more information about assembling the enclosures with terminal blocks. We recommend a maximum of one BK 6, e.g. BK 6 CRN (0625220000), for vertical installation. There are no specified mounting options available for mounting the enclosure in a vertical position.  
 Order recommendations:  
 TS 35 mounting rail with WDU clamping yoke technology, ZDU spring-cage terminal block or A2C PUSH IN technology  
 TS 32 mounting rail with clamping yoke technology SAK  
 TS 15 mounting rail with clamping yoke technology AKZ  
 Ordering information for the terminal blocks, please refer to the online catalogue.

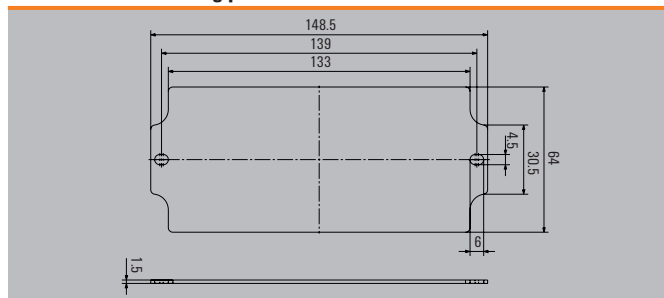
**Guide value for max. number of cable entries**

Cable entries	A / B	C / D
M12	11	1
M16	5	1
M20	4	1
M25	3	
M32		
M40		
M50		
M63		



**Note** \*\* Our IP 68 plastic cable glands are used as the reference for these guideline values.

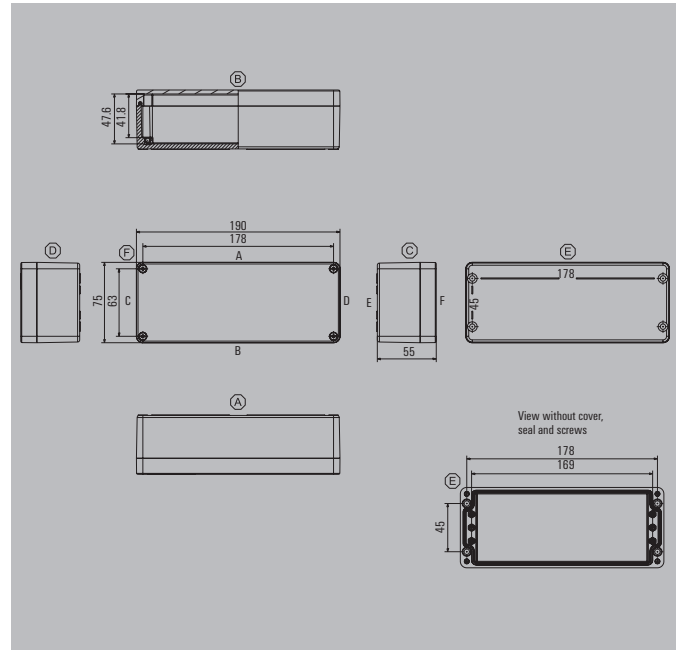
**Dimensions of mounting plate**



**Note**

Klippon® POK 081906

Depth 55 mm



Height / Width / Depth 75 / 190 / 55 mm

**Ordering data**

RAL 7001	Standard	Order No.
		1305840000
RAL 9011	Ex enclosure	Order No.
		1306030000

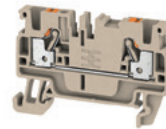
**Note** The overview page lists the ambient temperatures.

**Accessories**

Mounting plates and fastening screws	Order No.
Steel sheet, zinc plated	9510690000
Steel sheet, galvanized for applications with earthing plate	1534320000
Fastening screws for mounting plates	0642600000
Mounting rails, TS15x5	Order No.
Horizontally	8000003892
Brass Earth Continuity Plate	Order No.
Brass	1390940000
External mounting feet, set of 4	Order No.
Stainless steel 1.4301 natural	9510900000
Earthing stud	Order No.
Brass, M10	1277220000
Stainless steel 1.4404, M10	1283440000
Brass, M6	1277250000
Stainless steel 1.4404, M6	1283430000
Pressure compensation elements	Order No.
Polyamide 6, M12	1868570000
Stainless steel 1.4305, M12	1868550000
Stainless steel 1.4404, M20 for Ex applications	2519570000

**Guide value for max. number of terminals (industry)**

Assembly with terminal	vertical	horizontal
2.5 mm <sup>2</sup>	*	1x26
4 mm <sup>2</sup>	*	1x22
6 mm <sup>2</sup>		
10 mm <sup>2</sup>		
16 mm <sup>2</sup>		



**Note** \* Please refer to the Terminal Block catalogue or the SAK Series for more information about assembling the enclosures with terminal blocks. We recommend a maximum of one BK 6, e.g. BK 6 CRN (0625220000), for vertical installation. There are no specified mounting options available for mounting the enclosure in a vertical position.  
 Order recommendations:  
 TS 35 mounting rail with WDU clamping yoke technology, ZDU spring-cage terminal block or A2C PUSH IN technology  
 TS 32 mounting rail with clamping yoke technology SAK  
 TS 15 mounting rail with clamping yoke technology AKZ  
 Ordering information for the terminal blocks, please refer to the online catalogue.

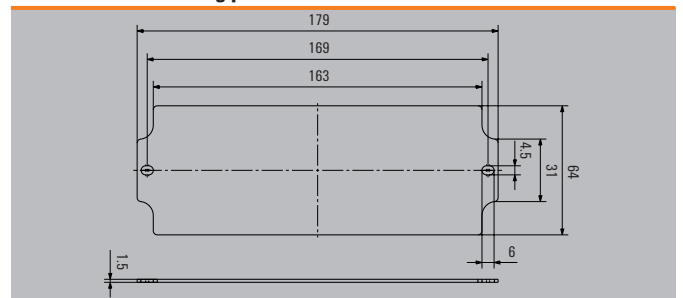
**Guide value for max. number of cable entries**

Cable entries	A / B	C / D
M12	14	1
M16	6	1
M20	5	1
M25	4	
M32		
M40		
M50		
M63		

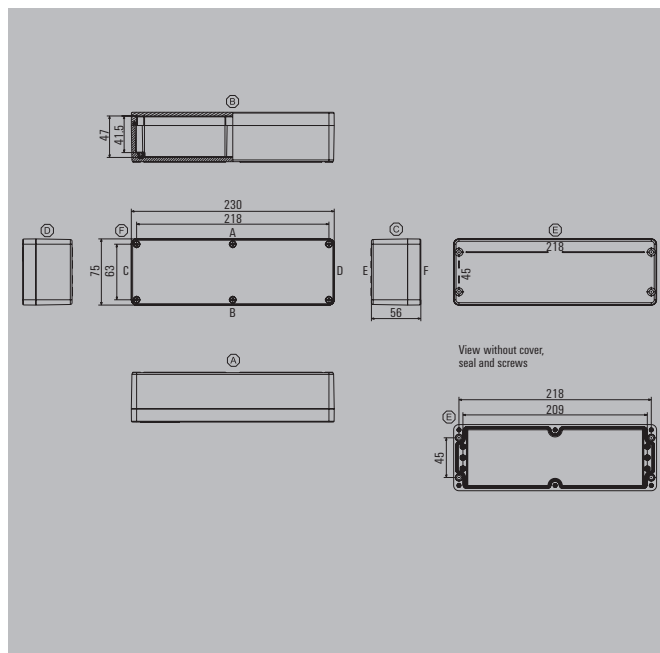


**Note** \*\* Our IP 68 plastic cable glands are used as the reference for these guideline values.

**Dimensions of mounting plate**



**Note**



Height / Width / Depth 75 / 230 / 56 mm

**Ordering data**

RAL 7001	Standard	Order No.
		1305850000
RAL 9011	Ex enclosure	Order No.
		1306040000

**Note** The overview page lists the ambient temperatures.

**Accessories**

Mounting plates and fastening screws	Order No.
Steel sheet, galvanized for applications with earthing plate	1534330000
Fastening screws for mounting plates	0642600000
Mounting rails, TS15x5	Order No.
Horizontally	8000032382
Brass Earth Continuity Plate	Order No.
Brass	1390950000
External mounting feet, set of 4	Order No.
Stainless steel 1.4301 natural	9510900000
Earthing stud	Order No.
Brass, M10	1277220000
Stainless steel 1.4404, M10	1283440000
Brass, M6	1277250000
Stainless steel 1.4404, M6	1283430000
Pressure compensation elements	Order No.
Polyamide 6, M12	1868570000
Stainless steel 1.4305, M12	1868550000
Stainless steel 1.4404, M20 for Ex applications	2519570000

**Note**

**Guide value for max. number of terminals (industry)**

Assembly with terminal	vertical	horizontal
2.5 mm <sup>2</sup>	*	1x33
4 mm <sup>2</sup>	*	1x28
6 mm <sup>2</sup>		
10 mm <sup>2</sup>		
16 mm <sup>2</sup>		

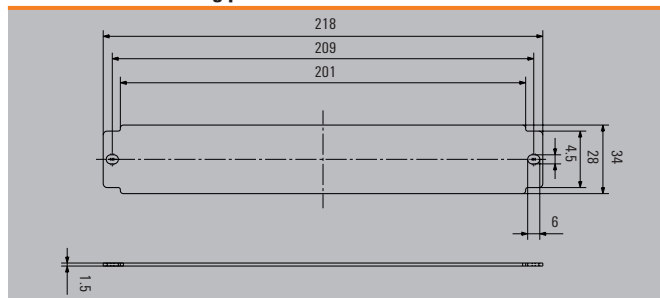
**Note** \* Please refer to the Terminal Block catalogue or the SAK Series for more information about assembling the enclosures with terminal blocks. We recommend a maximum of one BK 6, e.g. BK 6 CRN (0625220000), for vertical installation. There are no specified mounting options available for mounting the enclosure in a vertical position.  
 Order recommendations:  
 TS 35 mounting rail with WDU clamping yoke technology, ZDU spring-cage terminal block or A2C PUSH IN technology  
 TS 32 mounting rail with clamping yoke technology SAK  
 TS 15 mounting rail with clamping yoke technology AKZ  
 Ordering information for the terminal blocks, please refer to the online catalogue.

**Guide value for max. number of cable entries**

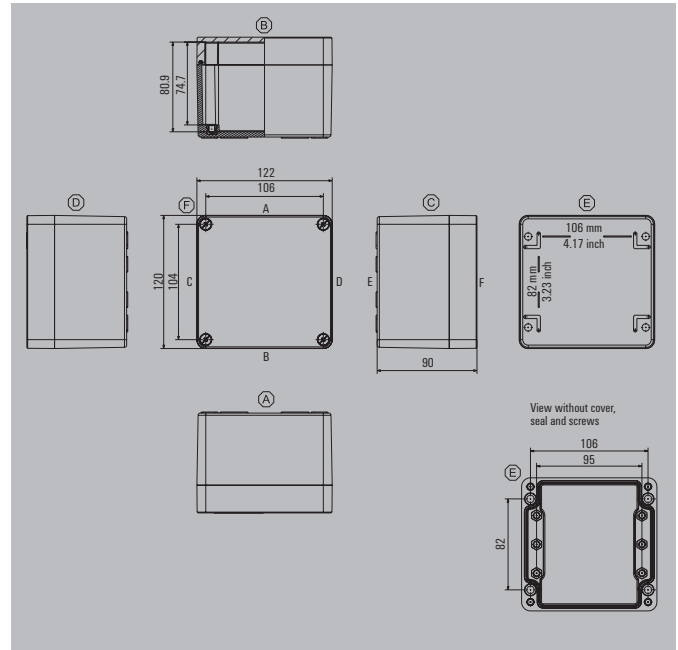
Cable entries	A / B	C / D
M12	16	1
M16	6	1
M20	6	1
M25	4	
M32		
M40		
M50		
M63		

**Note** \*\* Our IP 68 plastic cable glands are used as the reference for these guideline values.

**Dimensions of mounting plate**







Height / Width / Depth 120 / 122 / 90 mm

**Ordering data**

RAL 7001	Standard	Order No.
		<b>1305870000</b>
RAL 9011	Ex enclosure	Order No.
		<b>1306050000</b>

**Note** The overview page lists the ambient temperatures.

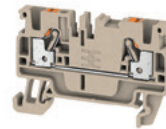
**Accessories**

Mounting plates and fastening screws	Order No.
Steel sheet, zinc plated	<b>9510590000</b>
Steel sheet, galvanized for applications with earthing plate	<b>1534340000</b>
Fastening screws for mounting plates	<b>0642600000</b>
Mounting rails, TS15x5	Order No.
Horizontally	<b>8000003890</b>
Brass Earth Continuity Plate	Order No.
Brass	<b>1390970000</b>
External mounting feet, set of 4	Order No.
Stainless steel 1.4301 natural	<b>9510910000</b>
Earthing stud	Order No.
Brass, M10	<b>1277220000</b>
Stainless steel 1.4404, M10	<b>1283440000</b>
Brass, M6	<b>1277250000</b>
Stainless steel 1.4404, M6	<b>1283430000</b>
Pressure compensation elements	Order No.
Polyamide 6, M12	<b>1868570000</b>
Stainless steel 1.4305, M12	<b>1868550000</b>
Stainless steel 1.4404, M20 for Ex applications	<b>2519570000</b>

**Note**

**Guide value for max. number of terminals (industry)**

Assembly with terminal	vertical	horizontal
2.5 mm <sup>2</sup>	*	1x12
4 mm <sup>2</sup>	*	1x10
6 mm <sup>2</sup>		1x7
10 mm <sup>2</sup>		1x6
16 mm <sup>2</sup>		1x5



**Note** The assembly with terminal rails is designed for direct mounting. The assembly with modular terminals gives consideration to a distance of 10 mm from the end of each mounting rail. Recommendations for ordering: TS 35 Mounting rail with clamping yoke technology WDU, spring-cage terminal block ZDU or PUSH IN technology A2C TS 32 Mounting rail with clamping yoke technology SAK TS 15 Mounting rail with clamping yoke technology AKZ Order information for rail-mounted terminal blocks, please refer to the online catalogue \*There are no specified mounting options available for vertical mounting in the enclosure.

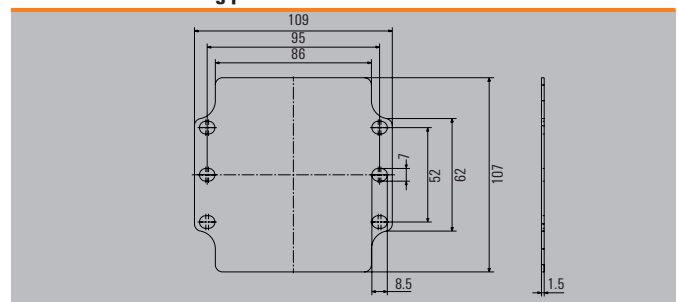
**Guide value for max. number of cable entries**

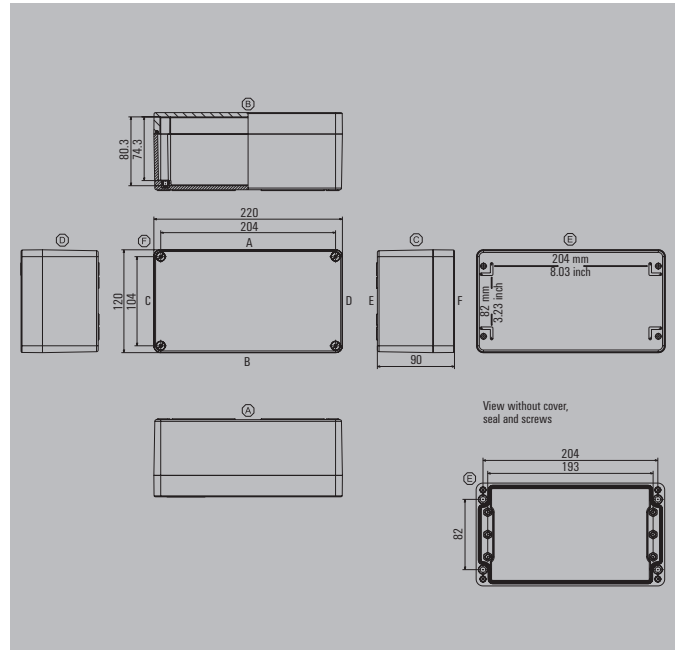
Cable entries	A / B	C / D
M12	12	8
M16	6	4
M20	4	3
M25	2	1
M32	1	1
M40		
M50		
M63		



**Note** \*\* Our IP 68 plastic cable glands are used as the reference for these guideline values.

**Dimensions of mounting plate**





Height / Width / Depth 120 / 220 / 90 mm

**Ordering data**

RAL 7001	Standard	Order No.
		1305880000
RAL 9011	Ex enclosure	Order No.
		1306070000

**Note** The overview page lists the ambient temperatures.

**Accessories**

Mounting plates and fastening screws	Order No.
Steel sheet, zinc plated	9510600000
Steel sheet, galvanized for applications with earthing plate	1534350000
Fastening screws for mounting plates	0642600000
Mounting rails, TS35x7.5	Order No.
Horizontally	8000037568
Brass Earth Continuity Plate	Order No.
Brass	1390980000
External mounting feet, set of 4	Order No.
Stainless steel 1.4301 natural	9510910000
Earthing stud	Order No.
Brass, M10	1277220000
Stainless steel 1.4404, M10	1283440000
Brass, M6	1277250000
Stainless steel 1.4404, M6	1283430000
Pressure compensation elements	Order No.
Polyamide 6, M12	1868570000
Stainless steel 1.4305, M12	1868550000
Stainless steel 1.4404, M20 for Ex applications	2519570000

**Guide value for max. number of terminals (industry)**

Assembly with terminal	vertical	horizontal
2.5 mm <sup>2</sup>	*	1x31
4 mm <sup>2</sup>	*	1x26
6 mm <sup>2</sup>		1x19
10 mm <sup>2</sup>		1x15
16 mm <sup>2</sup>		1x13

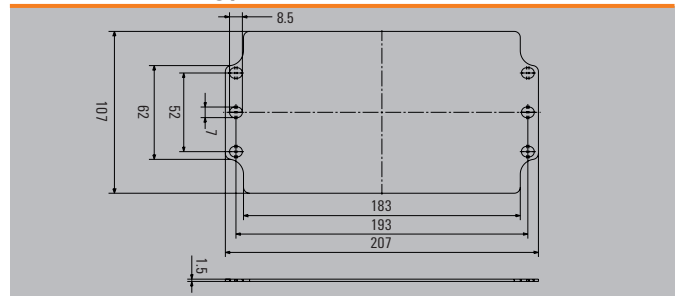
**Note** The assembly with terminal rails is designed for direct mounting. The assembly with modular terminals gives consideration to a distance of 10 mm from the end of each mounting rail. Recommendations for ordering: TS 35 Mounting rail with clamping yoke technology WDU, spring-cage terminal ZDU or PUSH IN technology AZC. Order information for rail-mounted terminal blocks, please refer to the online catalogue. \*There are no specified mounting options available for vertical mounting in the enclosure.

**Guide value for max. number of cable entries**

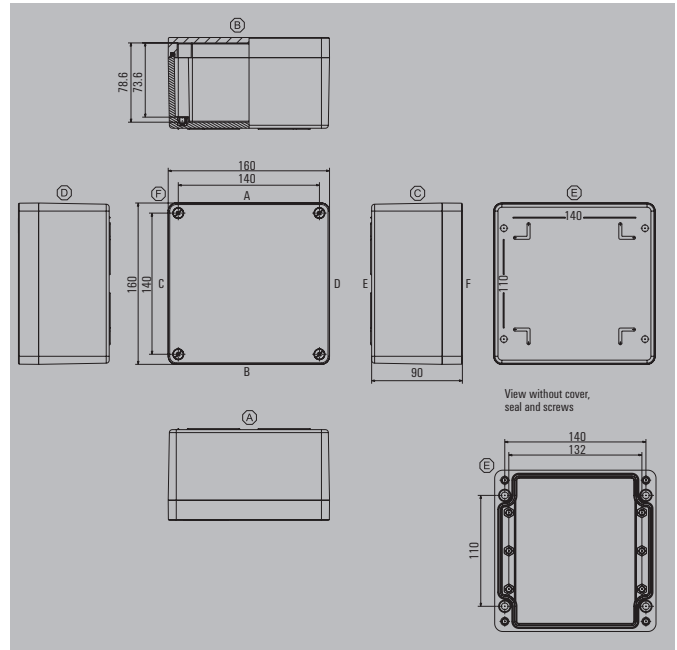
Cable entries	A / B	C / D
M12	24	8
M16	14	4
M20	12	3
M25	5	1
M32	4	1
M40	3	
M50		
M63		

**Note** \*\* Our IP 68 plastic cable glands are used as the reference for these guideline values.

**Dimensions of mounting plate**



**Note**



Height / Width / Depth 160 / 160 / 90 mm

**Ordering data**

RAL 7001	Standard	Order No.
		1305890000
RAL 9011	Ex enclosure	Order No.
		1306080000

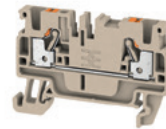
**Note** The overview page lists the ambient temperatures.

**Accessories**

Mounting plates and fastening screws	Order No.
Steel sheet, zinc plated	9510610000
Steel sheet, galvanized for applications with earthing plate	1534360000
Fastening screws for mounting plates	0642600000
Mounting rails, TS35x7.5	Order No.
Horizontally	8000003908
Brass Earth Continuity Plate	Order No.
Brass	1390990000
External mounting feet, set of 4	Order No.
Stainless steel 1.4301 natural	9510910000
Earthing stud	Order No.
Brass, M10	1277220000
Stainless steel 1.4404, M10	1283440000
Brass, M6	1277250000
Stainless steel 1.4404, M6	1283430000
Pressure compensation elements	Order No.
Polyamide 6, M12	1868570000
Stainless steel 1.4305, M12	1868550000
Stainless steel 1.4404, M20 for Ex applications	2519570000

**Guide value for max. number of terminals (industry)**

Assembly with terminal	vertical	horizontal
2.5 mm <sup>2</sup>	*	1x17
4 mm <sup>2</sup>	*	1x14
6 mm <sup>2</sup>		1x11
10 mm <sup>2</sup>		1x9
16 mm <sup>2</sup>		1x7



**Note** The assembly with terminal rails is designed for direct mounting. The assembly with modular terminals gives consideration to a distance of 10 mm from the end of each mounting rail. Recommendations for ordering: TS 35 Mounting rail with clamping yoke technology WDU, spring-cage terminal ZDU or PUSH IN technology AZC. Order information for rail-mounted terminal blocks, please refer to the online catalogue. \*There are no specified mounting options available for vertical mounting in the enclosure.

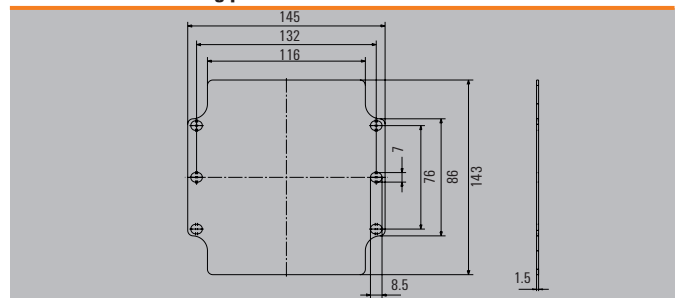
**Guide value for max. number of cable entries**

Cable entries	A / B	C / D
M12	15	11
M16	12	6
M20	6	4
M25	3	2
M32	2	2
M40	2	1
M50		
M63		

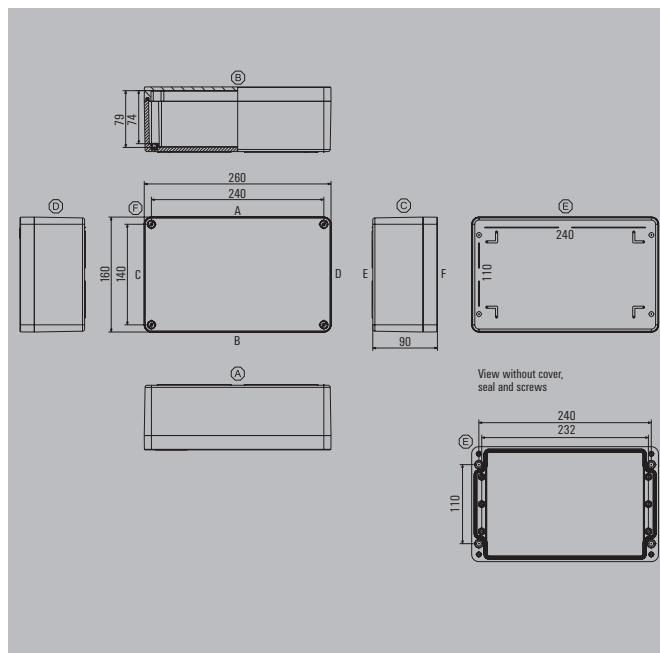


**Note** \*\* Our IP 68 plastic cable glands are used as the reference for these guideline values.

**Dimensions of mounting plate**



**Note**



Height / Width / Depth 160 / 260 / 90 mm

**Ordering data**

RAL 7001	Standard	Order No.
		1305900000
RAL 9011	Ex enclosure	Order No.
		1306090000

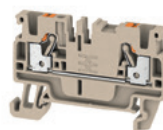
**Note** The overview page lists the ambient temperatures.

**Accessories**

Mounting plates and fastening screws	Order No.
Steel sheet, zinc plated	9510620000
Steel sheet, galvanized for applications with earthing plate	1534370000
Fastening screws for mounting plates	0642600000
Mounting rails, TS35x7.5	Order No.
Horizontally	8000003909
Brass Earth Continuity Plate	Order No.
Brass	1391000000
External mounting feet, set of 4	Order No.
Stainless steel 1.4301 natural	9510910000
Earthing stud	Order No.
Brass, M10	1277220000
Stainless steel 1.4404, M10	1283440000
Brass, M6	1277250000
Stainless steel 1.4404, M6	1283430000
Pressure compensation elements	Order No.
Polyamide 6, M12	1868570000
Stainless steel 1.4305, M12	1868550000
Stainless steel 1.4404, M20 for Ex applications	2519570000

**Guide value for max. number of terminals (industry)**

Assembly with terminal	vertical	horizontal
2.5 mm <sup>2</sup>	*	1x36
4 mm <sup>2</sup>	*	1x30
6 mm <sup>2</sup>		1x23
10 mm <sup>2</sup>		1x16
16 mm <sup>2</sup>		1x16



**Note** The assembly with terminal rails is designed for direct mounting. The assembly with modular terminals gives consideration to a distance of 10 mm from the end of each mounting rail. Recommendations for ordering: TS 35 Mounting rail with clamping yoke technology WDU, spring-cage terminal ZDU or PUSH IN technology AZC. Order information for rail-mounted terminal blocks, please refer to the online catalogue. \*There are no specified mounting options available for vertical mounting in the enclosure.

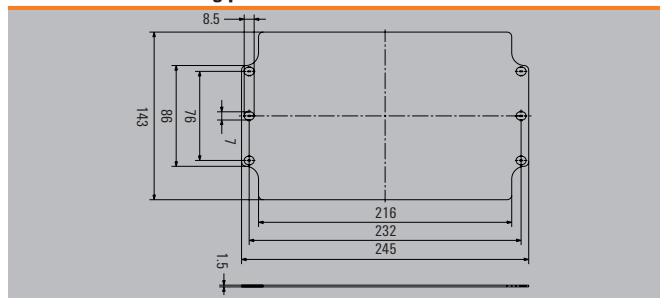
**Guide value for max. number of cable entries**

Cable entries	A / B	C / D
M12	30	11
M16	24	6
M20	14	4
M25	5	2
M32	4	2
M40	3	1
M50		
M63		



**Note** \*\* Our IP 68 plastic cable glands are used as the reference for these guideline values.

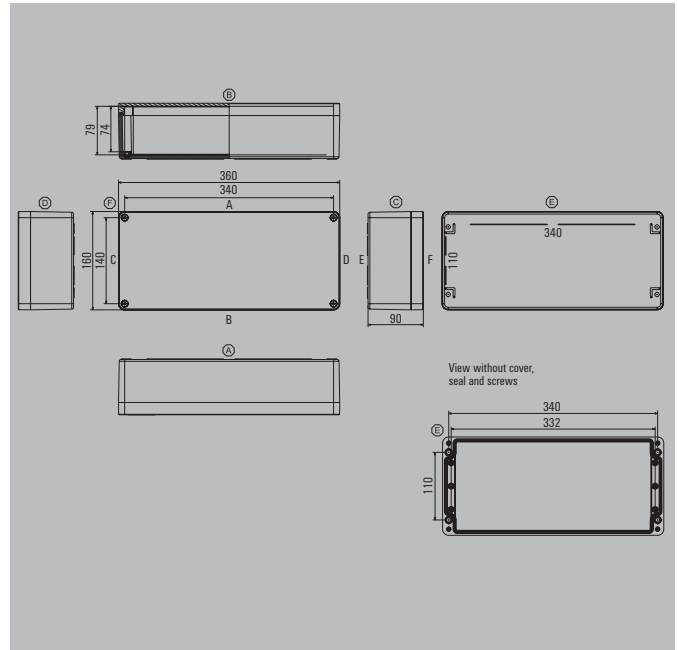
**Dimensions of mounting plate**



**Note**

Klippon® POK 163609

Depth **90 mm**



Height / Width / Depth 160 / 360 / 90 mm

**Ordering data**

RAL 7001	Standard	Order No.
		<b>1305910000</b>
RAL 9011	Ex enclosure	Order No.
		<b>1306100000</b>

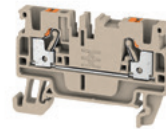
**Note** The overview page lists the ambient temperatures.

**Accessories**

Mounting plates and fastening screws	Order No.
Steel sheet, zinc plated	<b>9510630000</b>
Steel sheet, galvanized for applications with earthing plate	<b>1534380000</b>
Fastening screws for mounting plates	<b>0642600000</b>
Mounting rails, TS35x7.5	Order No.
Horizontally	<b>8000003910</b>
Brass Earth Continuity Plate	Order No.
Brass	<b>1391010000</b>
External mounting feet, set of 4	Order No.
Stainless steel 1.4301 natural	<b>9510910000</b>
Earthing stud	Order No.
Brass, M10	<b>1277220000</b>
Stainless steel 1.4404, M10	<b>1283440000</b>
Brass, M6	<b>1277250000</b>
Stainless steel 1.4404, M6	<b>1283430000</b>
Pressure compensation elements	Order No.
Polyamide 6, M12	<b>1868570000</b>
Stainless steel 1.4305, M12	<b>1868550000</b>
Stainless steel 1.4404, M20 for Ex applications	<b>2519570000</b>

**Guide value for max. number of terminals (industry)**

Assembly with terminal	vertical	horizontal
2.5 mm <sup>2</sup>	*	1x56
4 mm <sup>2</sup>	*	1x47
6 mm <sup>2</sup>		1x36
10 mm <sup>2</sup>		1x29
16 mm <sup>2</sup>		1x24



**Note** The assembly with terminal rails is designed for direct mounting. The assembly with modular terminals gives consideration to a distance of 10 mm from the end of each mounting rail. Recommendations for ordering: TS 35 Mounting rail with clamping yoke technology WDU, spring-cage terminal ZDU or PUSH IN technology AZC. Order information for rail-mounted terminal blocks, please refer to the online catalogue. \*There are no specified mounting options available for vertical mounting in the enclosure.

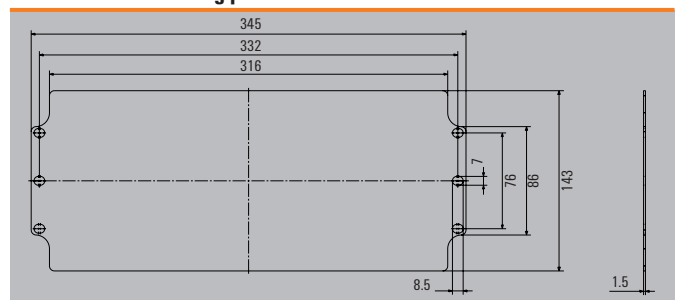
**Guide value for max. number of cable entries**

Cable entries	A / B	C / D
M12	45	11
M16	36	6
M20	20	4
M25	8	2
M32	6	2
M40	5	1
M50		
M63		

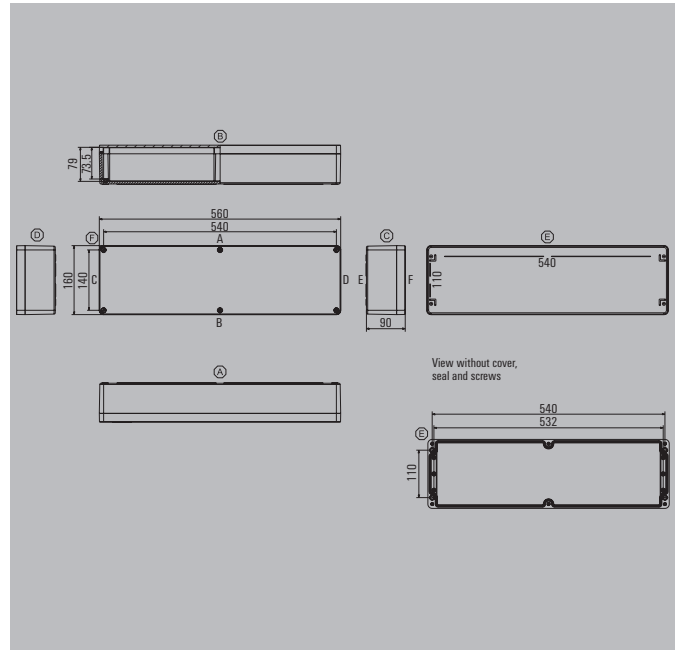


**Note** \*\* Our IP 68 plastic cable glands are used as the reference for these guideline values.

**Dimensions of mounting plate**



**Note**



Height / Width / Depth 160 / 560 / 90 mm

**Ordering data**

RAL 7001	Standard	Order No.
		<b>1305920000</b>
RAL 9011	Ex enclosure	Order No.
		<b>1306110000</b>

**Note** The overview page lists the ambient temperatures.

**Accessories**

Mounting plates and fastening screws	Order No.
Steel sheet, zinc plated	<b>9510710000</b>
Steel sheet, galvanized for applications with earthing plate	<b>1534390000</b>
Fastening screws for mounting plates	<b>0642600000</b>
Mounting rails, TS35x7.5	Order No.
Horizontally	<b>8000003911</b>
Brass Earth Continuity Plate	Order No.
Brass	<b>1391020000</b>
External mounting feet, set of 4	Order No.
Stainless steel 1.4301 natural	<b>9510910000</b>
Earthing stud	Order No.
Brass, M10	<b>1277220000</b>
Stainless steel 1.4404, M10	<b>1283440000</b>
Brass, M6	<b>1277250000</b>
Stainless steel 1.4404, M6	<b>1283430000</b>
Pressure compensation elements	Order No.
Polyamide 6, M12	<b>1868570000</b>
Stainless steel 1.4305, M12	<b>1868550000</b>
Stainless steel 1.4404, M20 for Ex applications	<b>2519570000</b>

**Guide value for max. number of terminals (industry)**

Assembly with terminal	vertical	horizontal
2.5 mm <sup>2</sup>	*	1x94
4 mm <sup>2</sup>	*	1x79
6 mm <sup>2</sup>		1x60
10 mm <sup>2</sup>		1x49
16 mm <sup>2</sup>		1x41

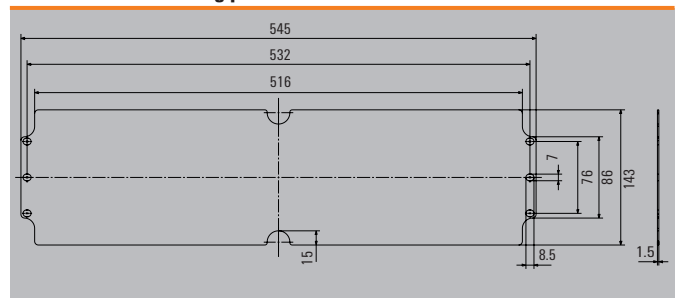
**Note** The assembly with terminal rails is designed for direct mounting. The assembly with modular terminals gives consideration to a distance of 10 mm from the end of each mounting rail. Recommendations for ordering: TS 35 Mounting rail with clamping yoke technology WDU, spring-cage terminal ZDU or PUSH IN technology AZC. Order information for rail-mounted terminal blocks, please refer to the online catalogue. \*There are no specified mounting options available for vertical mounting in the enclosure.

**Guide value for max. number of cable entries**

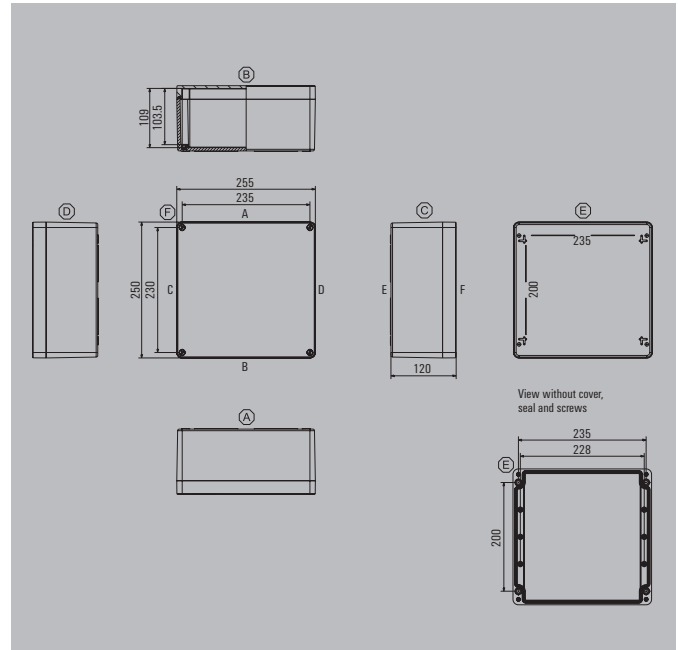
Cable entries	A / B	C / D
M12	66	11
M16	58	6
M20	32	4
M25	12	2
M32	10	2
M40	8	1
M50		
M63		

**Note** \*\* Our IP 68 plastic cable glands are used as the reference for these guideline values.

**Dimensions of mounting plate**



**Note**



Height / Width / Depth 250 / 255 / 120 mm

**Ordering data**

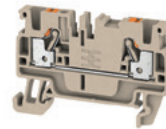
RAL 7001	Standard	Order No.
		<b>1305930000</b>
RAL 9011	Ex enclosure	Order No.
		<b>1306120000</b>
Note	The overview page lists the ambient temperatures.	

**Accessories**

Mounting plates and fastening screws	Order No.
Steel sheet, zinc plated	<b>9510640000</b>
Steel sheet, galvanized for applications with earthing plate	<b>1534410000</b>
Fastening screws for mounting plates	<b>0642600000</b>
Mounting rails, TS35x7.5	
Horizontally	<b>8000003912</b>
Brass Earth Continuity Plate	
Brass	<b>1391030000</b>
External mounting feet, set of 4	
Stainless steel 1.4301 natural	<b>9510910000</b>
Earthing stud	
Brass, M10	<b>1277220000</b>
Stainless steel 1.4404, M10	<b>1283440000</b>
Brass, M6	<b>1277250000</b>
Stainless steel 1.4404, M6	<b>1283430000</b>
Pressure compensation elements	
Polyamide 6, M12	<b>1868570000</b>
Stainless steel 1.4305, M12	<b>1868550000</b>
Stainless steel 1.4404, M20 for Ex applications	<b>2519570000</b>

**Guide value for max. number of terminals (industry)**

Assembly with terminal	vertical	horizontal
2.5 mm <sup>2</sup>	*	2x38
4 mm <sup>2</sup>	*	2x31
6 mm <sup>2</sup>		2x23
10 mm <sup>2</sup>		2x19
16 mm <sup>2</sup>		2x15



**Note**  
 The assembly with terminal rails is designed for direct mounting. The assembly with modular terminals gives consideration to a distance of 10 mm from the end of each mounting rail.  
 Recommendations for ordering:  
 TS 35 Mounting rail with clamping yoke technology WDU, spring-cage terminal ZDU or PUSH IN technology AZC  
 Order information for rail-mounted terminal blocks, please refer to the online catalogue  
 \*There are no specified mounting options available for vertical mounting in the enclosure.

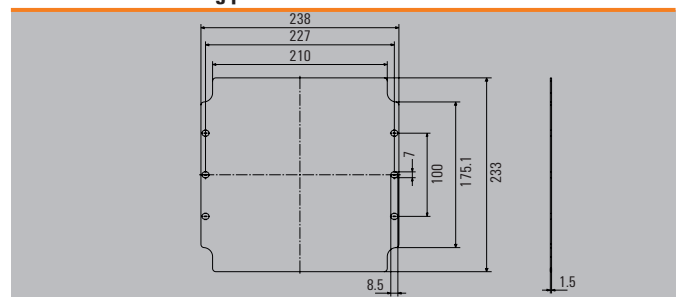
**Guide value for max. number of cable entries**

Cable entries	A / B	C / D
M12	36	32
M16	32	21
M20	10	15
M25	10	8
M32	8	3
M40	3	3
M50	2	2
M63		

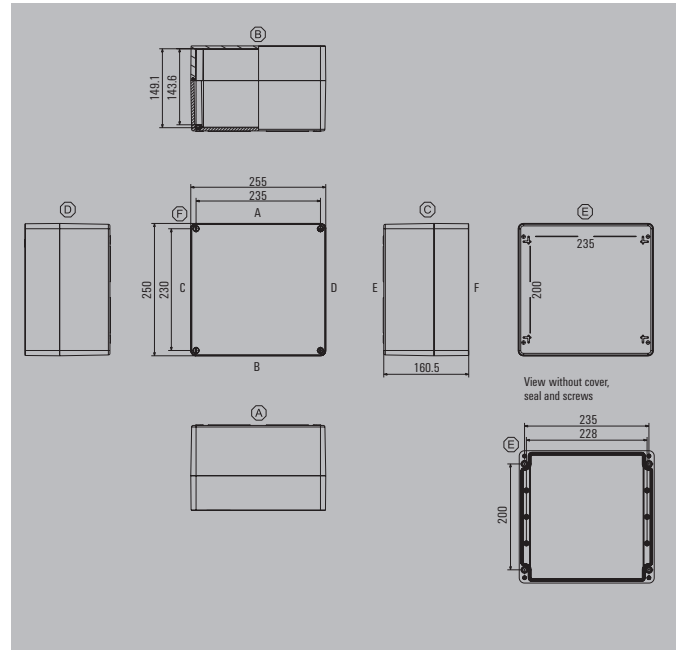


**Note** \*\* Our IP 68 plastic cable glands are used as the reference for these guideline values.

**Dimensions of mounting plate**



**Note**



Height / Width / Depth 250 / 255 / 160.5 mm

**Ordering data**

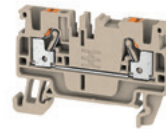
RAL 7001	Standard	Order No.
		1305980000
RAL 9011	Ex enclosure	Order No.
		1306170000
Note	The overview page lists the ambient temperatures.	

**Accessories**

Mounting plates and fastening screws	Order No.
Steel sheet, zinc plated	9510640000
Steel sheet, galvanized for applications with earthing plate	1534410000
Fastening screws for mounting plates	0642600000
Mounting rails, TS35x7.5	Order No.
Horizontally	8000003912
Brass Earth Continuity Plate	Order No.
Brass	1391030000
External mounting feet, set of 4	Order No.
Stainless steel 1.4301 natural	9510910000
Earthing stud	Order No.
Brass, M10	1277220000
Stainless steel 1.4404, M10	1283440000
Brass, M6	1277250000
Stainless steel 1.4404, M6	1283430000
Pressure compensation elements	Order No.
Polyamide 6, M12	1868570000
Stainless steel 1.4305, M12	1868550000
Stainless steel 1.4404, M20 for Ex applications	2519570000

**Guide value for max. number of terminals (industry)**

Assembly with terminal	vertical	horizontal
2.5 mm <sup>2</sup>	*	2x38
4 mm <sup>2</sup>	*	2x31
6 mm <sup>2</sup>		2x23
10 mm <sup>2</sup>		2x19
16 mm <sup>2</sup>		2x15



**Note**  
 The assembly with terminal rails is designed for direct mounting. The assembly with modular terminals gives consideration to a distance of 10 mm from the end of each mounting rail.  
 Recommendations for ordering:  
 TS 35 Mounting rail with clamping yoke technology WDU, spring-cage terminal ZDU or PUSH IN technology AZC  
 Order information for rail-mounted terminal blocks, please refer to the online catalogue  
 \*There are no specified mounting options available for vertical mounting in the enclosure.

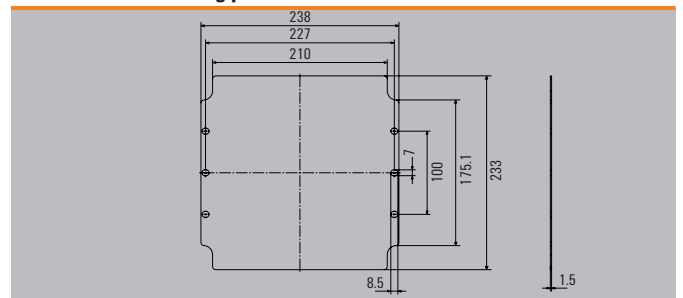
**Guide value for max. number of cable entries**

Cable entries	A / B	C / D
M12	36	32
M16	32	21
M20	18	15
M25	10	8
M32	8	3
M40	3	3
M50	2	2
M63		



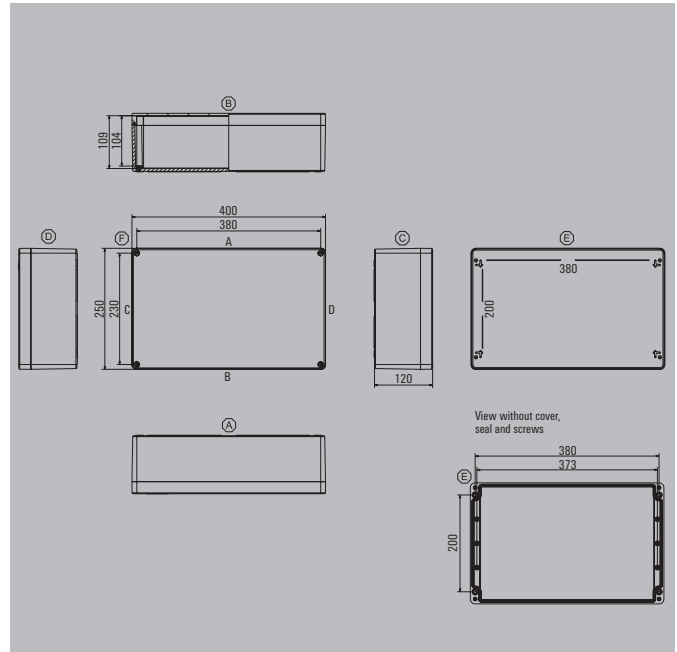
**Note** \*\* Our IP 68 plastic cable glands are used as the reference for these guideline values.

**Dimensions of mounting plate**



**Note**





Height / Width / Depth 250 / 400 / 120 mm

**Ordering data**

RAL 7001	Standard	Order No.
		1305940000
RAL 9011	Ex enclosure	Order No.
		1306130000

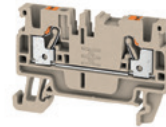
**Note** The overview page lists the ambient temperatures.

**Accessories**

Mounting plates and fastening screws	Order No.
Steel sheet, zinc plated	9510650000
Steel sheet, galvanized for applications with earthing plate	1534420000
Fastening screws for mounting plates	0642600000
Mounting rails, TS35x7.5	Order No.
Horizontally	8000003913
Brass Earth Continuity Plate	Order No.
Brass	1391040000
External mounting feet, set of 4	Order No.
Stainless steel 1.4301 natural	9510910000
Earthing stud	Order No.
Brass, M10	1277220000
Stainless steel 1.4404, M10	1283440000
Brass, M6	1277250000
Stainless steel 1.4404, M6	1283430000
Pressure compensation elements	Order No.
Polyamide 6, M12	1868570000
Stainless steel 1.4305, M12	1868550000
Stainless steel 1.4404, M20 for Ex applications	2519570000

**Guide value for max. number of terminals (industry)**

Assembly with terminal	vertical	horizontal
2.5 mm <sup>2</sup>	*	2x67
4 mm <sup>2</sup>	*	2x55
6 mm <sup>2</sup>		2x41
10 mm <sup>2</sup>		2x33
16 mm <sup>2</sup>		2x27



**Note** The assembly with terminal rails is designed for direct mounting. The assembly with modular terminals gives consideration to a distance of 10 mm from the end of each mounting rail. Recommendations for ordering: TS 35 Mounting rail with clamping yoke technology WDU, spring-cage terminal ZDU or PUSH IN technology AZC. Order information for rail-mounted terminal blocks, please refer to the online catalogue. \*There are no specified mounting options available for vertical mounting in the enclosure.

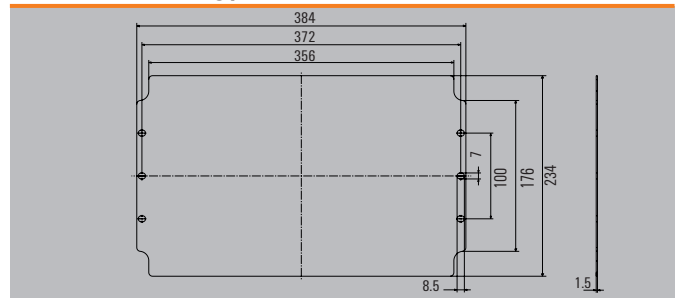
**Guide value for max. number of cable entries**

Cable entries	A / B	C / D
M12	62	32
M16	54	21
M20	33	15
M25	18	8
M32	14	3
M40	6	3
M50	4	2
M63		

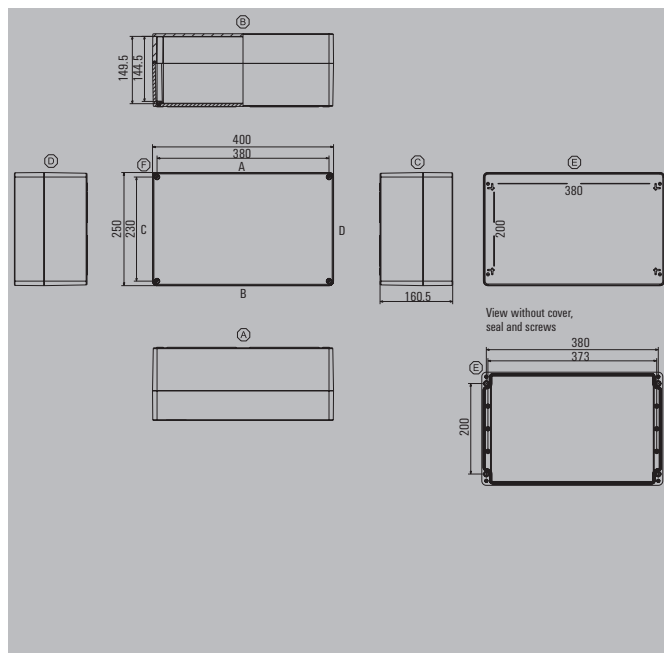


**Note** \*\* Our IP 68 plastic cable glands are used as the reference for these guideline values.

**Dimensions of mounting plate**



**Note**



Height / Width / Depth 250 / 400 / 160.5 mm

**Ordering data**

RAL 7001	Standard	Order No.
		1305990000
RAL 9011	Ex enclosure	Order No.
		1306180000

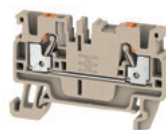
**Note** The overview page lists the ambient temperatures.

**Accessories**

Mounting plates and fastening screws	Order No.
Steel sheet, zinc plated	9510650000
Steel sheet, galvanized for applications with earthing plate	1534420000
Fastening screws for mounting plates	0642600000
Mounting rails, TS35x7.5	Order No.
Horizontally	8000003913
Brass Earth Continuity Plate	Order No.
Brass	1391040000
External mounting feet, set of 4	Order No.
Stainless steel 1.4301 natural	9510910000
Earthing stud	Order No.
Brass, M10	1277220000
Stainless steel 1.4404, M10	1283440000
Brass, M6	1277250000
Stainless steel 1.4404, M6	1283430000
Pressure compensation elements	Order No.
Polyamide 6, M12	1868570000
Stainless steel 1.4305, M12	1868550000
Stainless steel 1.4404, M20 for Ex applications	2519570000

**Guide value for max. number of terminals (industry)**

Assembly with terminal	vertical	horizontal
2.5 mm <sup>2</sup>	*	2x67
4 mm <sup>2</sup>	*	2x55
6 mm <sup>2</sup>		2x41
10 mm <sup>2</sup>		2x33
16 mm <sup>2</sup>		2x27



**Note** The assembly with terminal rails is designed for direct mounting. The assembly with modular terminals gives consideration to a distance of 10 mm from the end of each mounting rail. Recommendations for ordering: TS 35 Mounting rail with clamping yoke technology WDU, spring-cage terminal ZDU or PUSH IN technology AZC. Order information for rail-mounted terminal blocks, please refer to the online catalogue. \*There are no specified mounting options available for vertical mounting in the enclosure.

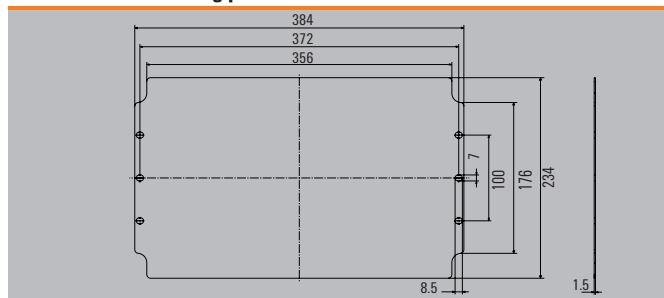
**Guide value for max. number of cable entries**

Cable entries	A / B	C / D
M12	62	32
M16	54	21
M20	33	15
M25	18	8
M32	14	3
M40	6	3
M50	4	2
M63		



**Note** \*\* Our IP 68 plastic cable glands are used as the reference for these guideline values.

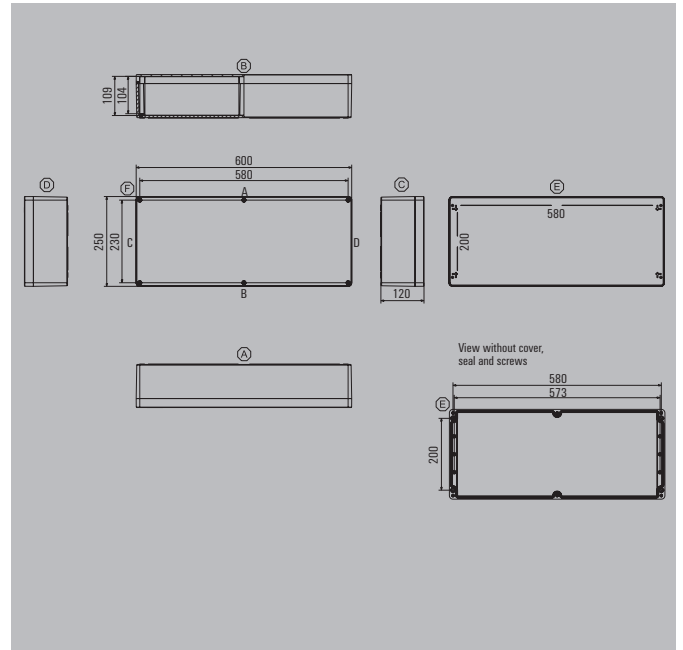
**Dimensions of mounting plate**



**Note**

Klippon® POK 256012

Depth 120 mm



Height / Width / Depth 250 / 600 / 120 mm

**Ordering data**

RAL 7001	Standard	Order No.
		1305950000
RAL 9011	Ex enclosure	Order No.
		1306140000

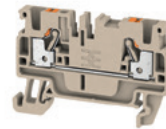
**Note** The overview page lists the ambient temperatures.

**Accessories**

Mounting plates and fastening screws	Order No.
Steel sheet, zinc plated	9510660000
Steel sheet, galvanized for applications with earthing plate	1534430000
Fastening screws for mounting plates	0642600000
Mounting rails, TS35x7.5	Order No.
Horizontally	8000003914
Brass Earth Continuity Plate	Order No.
Brass	1391050000
External mounting feet, set of 4	Order No.
Stainless steel 1.4301 natural	9510910000
Earthing stud	Order No.
Brass, M10	1277220000
Stainless steel 1.4404, M10	1283440000
Brass, M6	1277250000
Stainless steel 1.4404, M6	1283430000
Pressure compensation elements	Order No.
Polyamide 6, M12	1868570000
Stainless steel 1.4305, M12	1868550000
Stainless steel 1.4404, M20 for Ex applications	2519570000

**Guide value for max. number of terminals (industry)**

Assembly with terminal	vertical	horizontal
2.5 mm <sup>2</sup>	*	2x107
4 mm <sup>2</sup>	*	2x89
6 mm <sup>2</sup>		2x66
10 mm <sup>2</sup>		2x53
16 mm <sup>2</sup>		2x44



**Note** The assembly with terminal rails is designed for direct mounting. The assembly with modular terminals gives consideration to a distance of 10 mm from the end of each mounting rail. TS 35 Mounting rail with clamping yoke technology WDU, spring-cage terminal ZDU or PUSH IN technology AZC. Order information for rail-mounted terminal blocks, please refer to the online catalogue. \*There are no specified mounting options available for vertical mounting in the enclosure.

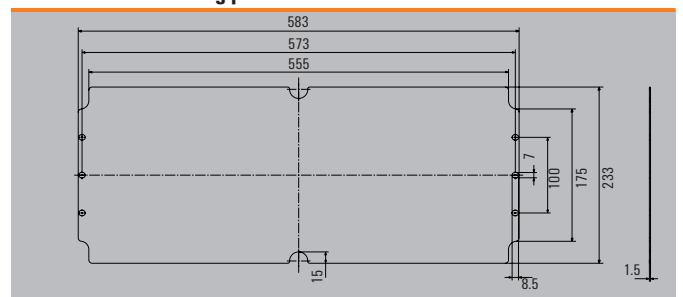
**Guide value for max. number of cable entries**

Cable entries	A / B	C / D
M12	96	32
M16	80	21
M20	24	15
M25	20	8
M32	20	3
M40	8	3
M50	6	2
M63		



**Note** \*\* Our IP 68 plastic cable glands are used as the reference for these guideline values.

**Dimensions of mounting plate**



**Note**



405 / 400 / 120 mm

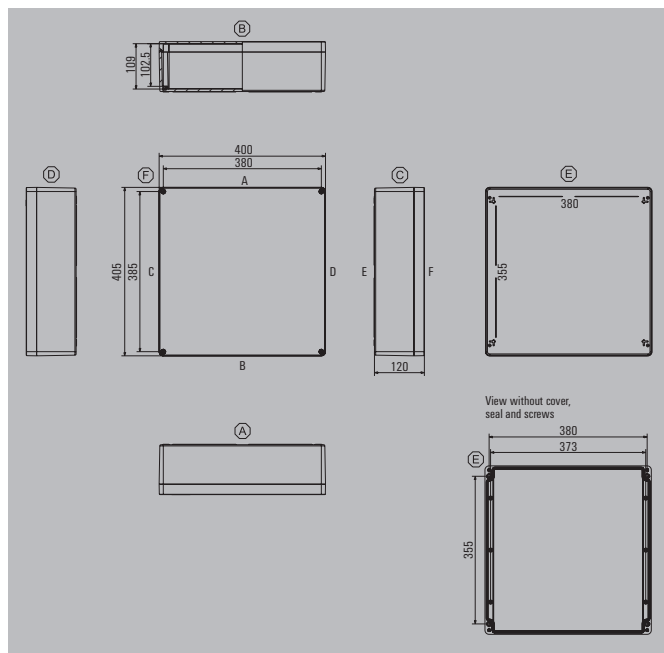
**Ordering data**

RAL 7001	Standard	Order No.
		<b>1305970000</b>
RAL 9011	Ex enclosure	Order No.
		<b>1306150000</b>
Note	The overview page lists the ambient temperatures.	

**Accessories**

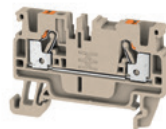
Mounting plates and fastening screws	Order No.
Steel sheet, zinc plated	<b>9510670000</b>
Steel sheet, galvanized for applications with earthing plate	<b>1534440000</b>
Fastening screws for mounting plates	<b>0642600000</b>
Mounting rails, TS35x7.5	Order No.
Horizontally	<b>8000003913</b>
Brass Earth Continuity Plate	Order No.
Brass	<b>1391070000</b>
External mounting feet, set of 4	Order No.
Stainless steel 1.4301 natural	<b>9510910000</b>
Earthing stud	Order No.
Brass, M10	<b>1277220000</b>
Stainless steel 1.4404, M10	<b>1283440000</b>
Brass, M6	<b>1277250000</b>
Stainless steel 1.4404, M6	<b>1283430000</b>
Pressure compensation elements	Order No.
Polyamide 6, M12	<b>1868570000</b>
Stainless steel 1.4305, M12	<b>1868550000</b>
Stainless steel 1.4404, M20 for Ex applications	<b>2519570000</b>

Note



**Guide value for max. number of terminals (industry)**

Assembly with terminal	vertical	horizontal
2.5 mm <sup>2</sup>	*	3x67
4 mm <sup>2</sup>	*	3x55
6 mm <sup>2</sup>		3x41
10 mm <sup>2</sup>		3x33
16 mm <sup>2</sup>		3x27



**Note**  
 The assembly with terminal rails is designed for direct mounting. The assembly with modular terminals gives consideration to a distance of 10 mm from the end of each mounting rail.  
 Recommendations for ordering:  
 TS 35 Mounting rail with clamping yoke technology WDU, spring-cage terminal ZDU or PUSH IN technology AZC  
 Order information for rail-mounted terminal blocks, please refer to the online catalogue  
 \*There are no specified mounting options available for vertical mounting in the enclosure.

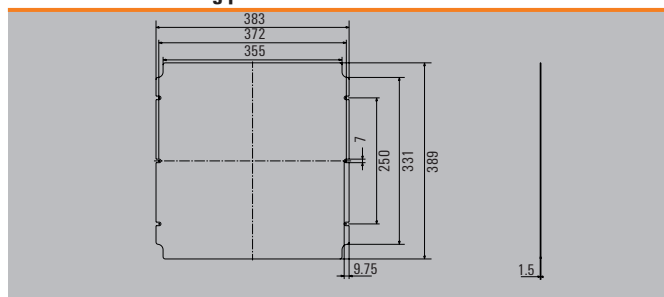
**Guide value for max. number of cable entries**

Cable entries	A / B	C / D
M12	62	60
M16	54	39
M20	33	30
M25	18	18
M32	14	7
M40	6	5
M50	4	4
M63		



**Note** \*\* Our IP 68 plastic cable glands are used as the reference for these guideline values.

**Dimensions of mounting plate**





# Klippon® Protect Terminal Boxes





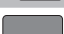
## Product overview: Polyester enclosure

Use the product overview to find the right solution for you! Combine your own industrial version consisting of an enclosure, with or without threaded holes, a suitable mounting rail or pre-fitted terminal strips. The compatible components are always shown in a row.

Klippon® Protect offers you approved Terminal Boxes with for use in explosive areas can be found in the last column. They come with threaded holes and are already equipped with a terminal strip.

C

### Polyester enclosure

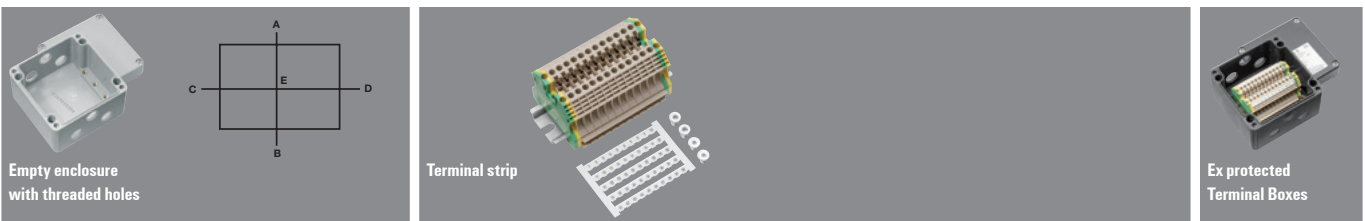
Dimensions of the enclosure height x width x depth mm	Enclosure type	Empty enclosure without threaded holes		Mounting rail (TS) / Mounting plate (MOPL)				
		Order No.	Qty.	Type	Length mm	Rail mounting slot dimensions mm	Order No.	Qty.
<b>Polyester, RAL 7001</b>								
75 x 80 x 55 	Klippon® 080806	1305810000	1	TS 15	68	4.5 x 20	1928060000	1
75 x 110 x 56 	Klippon® 081106	1305820000	1	TS 15	98	4.5 x 20	1928070000	1
75 x 160 x 56 	Klippon® 081606	1305830000	1	TS 15	147	4.5 x 20	1928080000	1
120 x 122 x 90 	Klippon® 121209	1305870000	1	TS 35	105	6.3 x 20	1910070000	1
160 x 160 x 90 	Klippon® 161609	1305890000	1	TS 35	140	6.3 x 20	1910100000	1
		protection class IP 66		suitable for the enclosure of the respective line				

<sup>1)</sup> Multi-pole terminal blocks (block terminals BK 4, BK 6 or BK 12) can be directly fitted  
<sup>2)</sup> Space for further threaded holes up to M32



Use our online catalogue to find additional product details, technical information and additional services:

[www.weidmueller.com/externalbox](http://www.weidmueller.com/externalbox)



Threaded hole Side A	Threaded hole Side B	Order No.	Qty.	Connection technology	Cross-section mm <sup>2</sup>	Number of DU*	Number of PE*	Order No.	Qty.	Order No.
----------------------	----------------------	-----------	------	-----------------------	-------------------------------	---------------	---------------	-----------	------	-----------

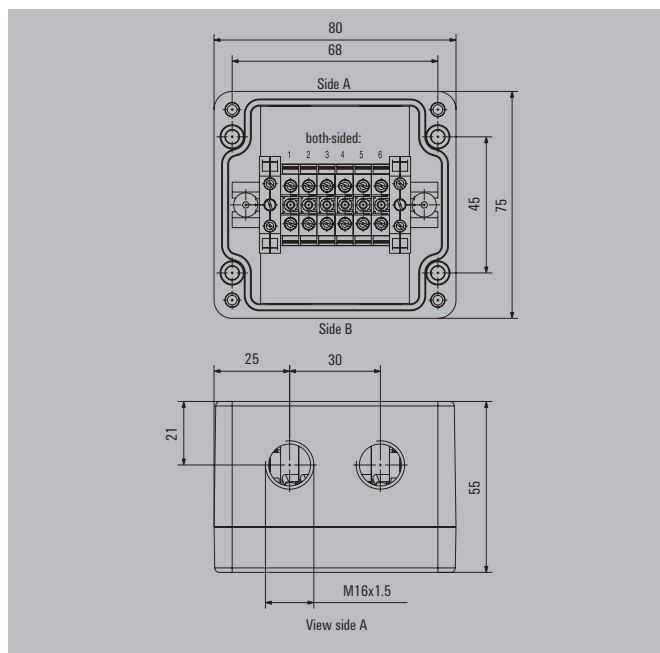
2x M16	2x M16	8000004160	1	Screw connection	4	4	0	8000004365 <sup>1)</sup>	1	8000004222
2x M16	2x M16			Screw connection	4	6	2	8000004144	1	8000004223
2x M20	2x M20	8000004161	1	Screw connection	4	6	0	8000004366 <sup>1)</sup>	1	8000004224
2x M20	2x M20			Screw connection	4	10	2		1	8000004225
4x M20	4x M20	8000004162	1	Screw connection	4	12	0	8000004367 <sup>1)</sup>	1	8000004226
4x M20	4x M20			Screw connection	4	18	2	8000004146	1	8000004228
3x M20	3x M20	8000003448	1	Screw connection	4	12	2	8000003444	1	8000003593
3x M20	3x M20								1	8000003594
4x M20	4x M20	8000004164 <sup>2)</sup>	1	Screw connection	4	16	2	8000004142	1	8000004229
4x M20	4x M20			Tension clamp connection	2.5	19	2	8000004143	1	8000004230

suitable for the enclosures of the respective line  
 \*DU = feed-through terminals, PE = PE terminals

Ex enclosure with an external earthing connection, holes and strip terminals in each row



Height / Width / Depth 75 / 80 / 55 mm



Empty enclosure with tapped holes

Drill holes side A	Drill holes side B	Order No.
2 x M16x1.5	2 x M16x1.5	800004160



Note

Accessories

Cable glands	Order No.
VG M16 EXE 5-8 SI7J G4	2722080000
VG M16 EXE 6-10 SI7J G4	2722090000
Stopping plugs	Order No.
VP M16 EX SI 7J	2066720000

Terminal block, suitable for empty enclosure

Type	Type of connection	Conductor can be clamped	Rated cross-section	No. of DU*	No. of PE*	Order No.
BK 4/E	Screw connection	Solid / stranded	0.5...4 mm <sup>2</sup> / 1.5...4 mm <sup>2</sup>	4	0	800004365
AKZ 4	Screw connection	Feed-through terminal for TS 15	0.5...6 mm <sup>2</sup> / 1.5...4 mm <sup>2</sup> 0.5...4 mm <sup>2</sup> / 0.5...2.5 mm <sup>2</sup>	6	2	800004144

Note Markers numbered 1-50 (horizontal text) and mounting screws are included in the delivery.  
\*DU = feed-through terminals, PE = PE terminals

Note

Distribution box with ATEX II 2GD T85°C Ex e II T6

Drill holes side A	Drill holes side B	No. of DU*	No. of PE*	Order No.
2 x M16x1.5	2 x M16x1.5	6	2	800004223
2 x M16x1.5	2 x M16x1.5	6	2	800004222



Note Enclosures are delivered in RAL 9011.  
\*DU = feed-through terminals, PE = PE terminals

Terminal rail / mounting plate set

Product type	Type	Length	Order No.
Rail	TS15 68 KLIPPON POK1 CSS		1928060000

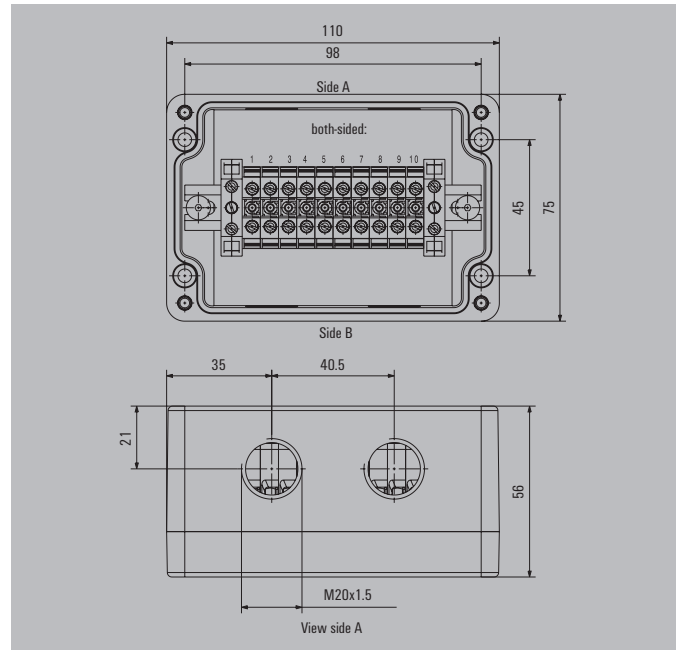


Note



Klippon® POK 081106

56 mm



Height / Width / Depth 75 / 110 / 56 mm

Accessories

Accessories	Order No.
<b>Cable glands</b>	
VG M20 EXE 7-13 SI7J G4	2722110000
VG M20 EXE 11-14 SI7J G4	2722120000
<b>Stopping plugs</b>	
VP M20 EX SI 7J	2066730000

Empty enclosure with tapped holes

Drill holes side A	Drill holes side B	Order No.
2 x M20x1.5	2 x M20x1.5	8000004161



Note

Note

Terminal block, suitable for empty enclosure

Type	Conductor can be clamped	Rated cross-section	No. of DU*	No. of PE*	Order No.
BK 6/E	Solid / stranded	0.5...4 mm <sup>2</sup> / 1.5...4 mm <sup>2</sup>	6	0	8000004366
	Flexible / flexible with wire-end ferrule	0.5...4 mm <sup>2</sup> / 0.5...4 mm <sup>2</sup>			



Note Markers numbered 1-50 (horizontal text) and mounting screws are included in the delivery. \*DU = feed-through terminals, PE = PE terminals

Distribution box with ATEX II 2GD T85°C Ex e II T6

Drill holes side A	Drill holes side B	No. of DU*	No. of PE*	Order No.
2 x M20x1.5	2 x M20x1.5	10	2	8000004225
2 x M20x1.5	2 x M20x1.5	6	0	8000004224

Terminal rail / mounting plate set

Product type	Type	Length	Order No.
Rail	TS15 98 KLIPPON POK2 CSS		1928070000

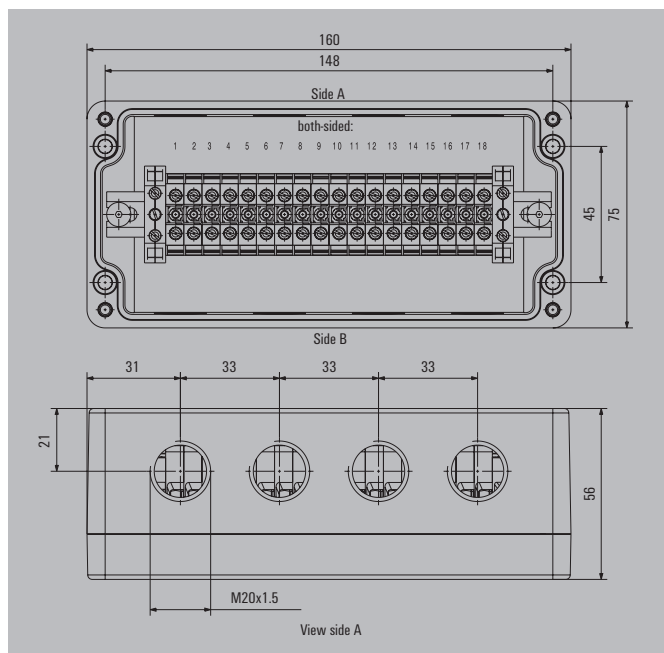


Note Enclosures are delivered in RAL 9011. \*DU = feed-through terminals, PE = PE terminals

Note



Height / Width / Depth 75 / 160 / 56 mm



Accessories

Cable glands		Order No.
	VG M20 EXE 7-13 SI7J G4	2722110000
	VG M20 EXE 11-14 SI7J G4	2722120000
Stopping plugs		Order No.
	VP M20 EX SI 7J	2066730000

Empty enclosure with tapped holes

Drill holes side A	Drill holes side B	Order No.
4 x M20x1.5	4 x M20x1.5	8000004162



Note

Note

Terminal block, suitable for empty enclosure

Type	Conductor can be clamped	Rated cross-section	No. of DU*	No. of PE*	Order No.
BK 12/E	Solid / stranded	0.5...4 mm <sup>2</sup> / 1.5...4 mm <sup>2</sup>	12	0	8000004367
	Flexible / flexible with wire-end ferrule	0.5...4 mm <sup>2</sup> / 0.5...4 mm <sup>2</sup>			
AKZ 4	Feed-through terminal for TS 15	0.5...6 mm <sup>2</sup> / 1.5...4 mm <sup>2</sup>	18	2	8000004146
		0.5...4 mm <sup>2</sup> / 0.5...2.5 mm <sup>2</sup>			



Note Markers numbered 1-50 (horizontal text) and mounting screws are included in the delivery. \*DU = feed-through terminals, PE = PE terminals

Distribution box with ATEX II 2GD T85°C Ex e II T6

Drill holes side A	Drill holes side B	No. of DU*	No. of PE*	Order No.
4 x M20x1.5	4 x M20x1.5	18	2	8000004228
4 x M20x1.5	4 x M20x1.5	12	0	8000004226

Terminal rail / mounting plate set

Product type	Type	Length	Order No.
	Rail TS15 147 KLIPPON POK3 CSS		1928080000



Note Enclosures are delivered in RAL 9011. \*DU = feed-through terminals, PE = PE terminals

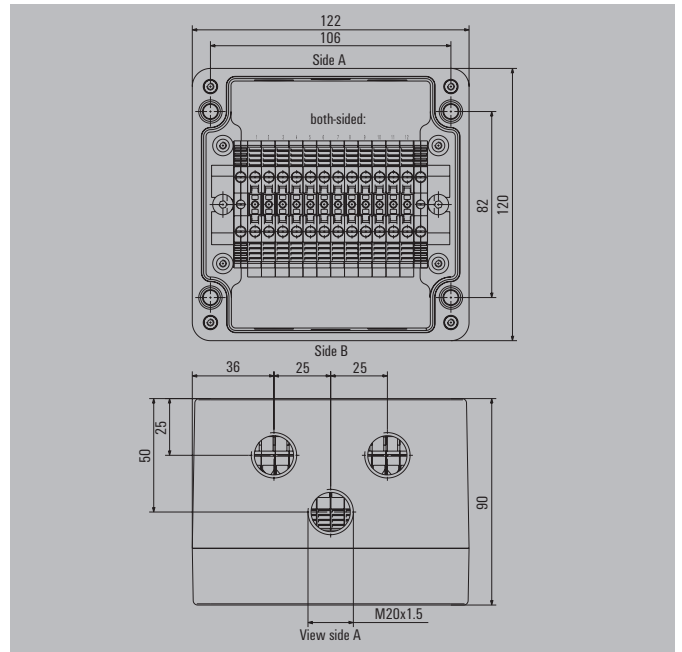
Note

Klippon® POK 121209

90 mm



Height / Width / Depth 120 / 122 / 90 mm



Empty enclosure with tapped holes

Drill holes side A	Drill holes side B	Order No.
3 x M20x1.5	3 x M20x1.5	800003448



Note

Note

Terminal block, suitable for empty enclosure

Type	Conductor can be clamped	Rated cross-section	No. of DU*	No. of PE*	Order No.
WDU 4		0.5...6 mm <sup>2</sup> / 1.5...6 mm <sup>2</sup> 0.5...6 mm <sup>2</sup> / 0.5...4 mm <sup>2</sup>	12	2	800003444



Note Markers numbered 1-50 (horizontal text) and mounting screws are included in the delivery.  
\*DU = feed-through terminals, PE = PE terminals

Distribution box with ATEX II 2GD T85°C Ex e II T6

Drill holes side A	Drill holes side B	No. of DU*	No. of PE*	Order No.
3 x M20x1.5	3 x M20x1.5	12	2	800003593
3 x M20x1.5	3 x M20x1.5	9	2	800003594

Terminal rail / mounting plate set

Product type	Type	Length	Order No.
Rail	TS35 105 KLIPPON K41/POK4		1910070000

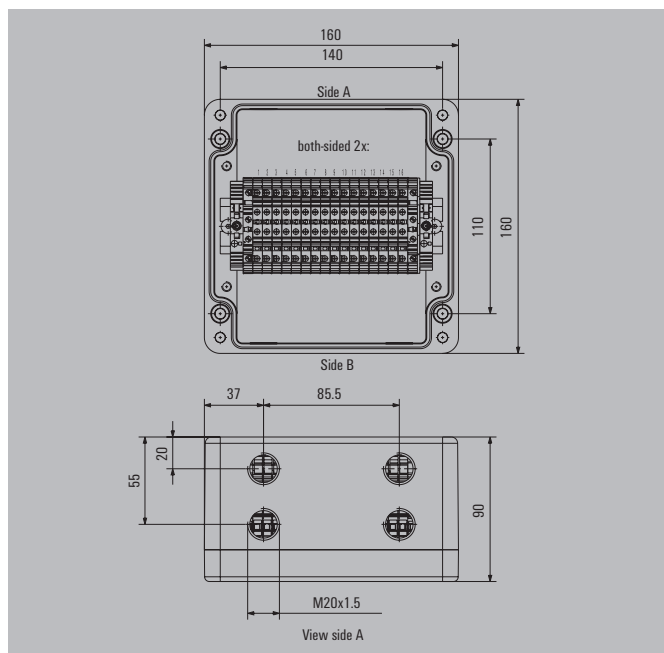


Note Enclosures are delivered in RAL 9011.  
\*DU = feed-through terminals, PE = PE terminals

Note



Height / Width / Depth 160 / 160 / 90 mm



Accessories

Accessories	Order No.
<b>Cable glands</b>	
VG M20 EXE 7-13 SI7J G4	2722110000
VG M20 EXE 11-14 SI7J G4	2722120000
<b>Stopping plugs</b>	
VP M20 EX SI 7J	2066730000

Empty enclosure with tapped holes

Drill holes side A	Drill holes side B	Order No.
4 x M20x1.5	4 x M20x1.5	800004164



Note

Note

Terminal block, suitable for empty enclosure

Type	Conductor can be clamped	Rated cross-section	No. of DU*	No. of PE*	Order No.
ZDK 2.5	Double-level terminal	0.5...2.5 mm <sup>2</sup> / ... 0.5...2.5 mm <sup>2</sup> / 0.5...2.5 mm <sup>2</sup>	19	2	800004143
WDK 4N	Solid/stranded Flexible / flexible with wire-end ferrule	0.5...6 mm <sup>2</sup> / 1.5...6 mm <sup>2</sup> 0.5...4 mm <sup>2</sup> / 0.5...4 mm <sup>2</sup>	16	2	800004142

Note Markers numbered 1-50 (horizontal text) and mounting screws are included in the delivery.  
\*DU = feed-through terminals, PE = PE terminals

Distribution box with ATEX II 2GD T85°C Ex e II T6

Drill holes side A	Drill holes side B	No. of DU*	No. of PE*	Order No.
4 x M20x1.5	4 x M20x1.5	16	2	800004229
4 x M20x1.5	4 x M20x1.5	19	2	800004230

Terminal rail / mounting plate set

Product type	Type	Length	Order No.
Rail	TS35/140 KLIPPON K52 POK51		1910100000



Note Enclosures are delivered in RAL 9011.  
\*DU = feed-through terminals, PE = PE terminals

Note



## Safely control work processes in hazardous areas on site

### With certified enclosure solutions with control and display elements

Harsh industrial environments and hazardous areas, such as in the oil and gas industry, place extreme demands on the safety, the robustness and quality of products and devices.

We meet these challenges with the Klippon® Control Station, the addition to our range of customised enclosure solutions. More than 50 years of expertise have made us market leader in this area with global competence centres. The basis of our enclosure solutions is provided by the usual Weidmüller quality and comprehensive approvals for explosion hazard areas. Based on this, our sturdy “on-site control station” is available in two standard sizes and with up to four control and display elements and provides a flexible solution to meet your specific needs.

Order your distributor enclosure as well as control and signaling units from a single source and from one enclosure design – for reliable security and reduced storage costs for maintenance and repair operations.

#### **Your special advantages: Ideal for urgent service calls**

We have prepared modules of the proven Klippon® enclosures POK available for you for further processing. This means we manufacture a control solution suitable for your application at short notice.



Predestined for emergency shutdown applications: Klippon® Control Stations score when it comes to the safe shutdown of plant sections, such as in the process industry

**Customised assembly**

In addition to standard types from stock, you can obtain enclosure solutions from us that are completely assembled and equipped according to customer requirements.

**Project solutions from a single source**

Obtain command/signaling units and distribution and control boxes as a complete solution – tailored to the individual requirements of your projects in hazardous areas.



**A variety of sizes and materials**

Enclosures in stainless steel, aluminium or polyester are available for different environmental conditions. Depending on the size of the enclosure, it provides space for the integration of up to four control and display elements.

**International certificates**

The Klippon® Control Station is tested and certified among others according to ATEX and IECEx.



# Robust solutions for demanding environments

## Klippon® Protect provides high-quality polyester enclosures

Our enclosures made of high-quality polyester (Klippon® POK) are the ideal solutions for demanding electrical connectivity applications. They are particularly suitable for applications that demand corrosion resistance, impact resistance and a high protection class. Suitable for use within hazardous environments.

### Additional features:

- Extremely robust, weather-proof and impact-resistant up to 7 joules
- Simple fastening of mounting rails
- High ingress protection IP66



### Technical data

Polyester enclosures	
Material	Glass-fibre reinforced polyester with graphite mixture
Surface finish	Natural, black
Colour	Similar to RAL 9011
IP protection class	IP 54; IP 66
Ambient temperature	-55 °C to 55 °C
Seal material of enclosure	Silicone (VMQ)
Seal material of command and signalling units	EPDM
Flammability rating	-
Impact resistance IK	7 joules in acc. with IEC60079-0 4 joules in acc. with IEC60079-0 with integrated illuminated pushbutton or light module
Cable gland material	Polyamide
Cable gland clamping area min. - max. in mm	Available on request
M20	6-12 mm
M25	2.5 mm <sup>2</sup>
Max. rated cross-section	400 V
Max. operating voltage with integrated illuminated pushbutton or lighting module	250 V
Maximum operating current at 40 °C ambient temperature	
1.5 mm <sup>2</sup> - T6	10 A
1.5 mm <sup>2</sup> - T5	16 A
2.5 mm <sup>2</sup> - T6	16 A
Maximum operating current at 55 °C ambient temperature	
1.5 mm <sup>2</sup> - T4	16 A
1.5 mm <sup>2</sup> - T5	10 A
2.5 mm <sup>2</sup> - T5	16 A
Temperature class	T4, T5, T6
Type of mounting	Wall mounting
Earthing inside	Earth terminal
Lid attachment	Crosshead screws, stainless steel
Lid screw torque	2.5-3.0 Nm
Earthing torque	-
Earthing outside	Available on request
Approvals	IECExITA14.0013X TUEV14ATEX7606X LMP 21.0019X
Marking	2G Ex e d IIC T* Gb 2G Ex ib d [ia] IIC T* Gb 2D Ex tb IIC T80/100 °C Db
Mounting feet	9510910000



Use our online catalogue to find additional product details, technical information and additional services:

[www.weidmueller.com/klipponcontrolstation](http://www.weidmueller.com/klipponcontrolstation)





	Number of built-in components				Emergency stop pushbutton	Key switch	Pushbutton		Illuminated pushbutton		Light module		Dimensions with built-in components HxWxD in mm	Designation	Cable gland	Order number		
	•	•	•	•	red	I - 0 - II	red	green	red	green	red	green						
Polyester	•				1								152x120x128	KLIPPON CS POK 121209-2	VG M25	1537070000		
	•							1					152x120x103	KLIPPON CS POK 121209-2	VG M25	1537080000		
	•					1							152x120x117	KLIPPON CS POK 121209-2	VG M25	1537090000		
	•									1			152x120x105	KLIPPON CS POK 121209-2	VG M25	1537100000		
	•							1	1				152x120x103	KLIPPON CS POK 121209-4	VG M25	1537110000		
	•								1		1		152x120x112	KLIPPON CS POK 121209-4	VG M25	1537120000		
	•				1							1	152x120x128	KLIPPON CS POK 121209-4	VG M25	1537130000		
		•						1	1				1	250x120x112	KLIPPON CS POK 122209-2	VG M25	1537140000	
			•					1	2					250x120x103	KLIPPON CS POK 122209-2	VG M25	1537150000	
				•		1		1	1					250x120x128	KLIPPON CS POK 122209-2	VG M25	1537170000	
					•			1	1			1	1	250x120x112	KLIPPON CS POK 122209-4	VG M25	1537180000	

**Klippon® CS POK 121209-2**



**Klippon® CS POK 121209-2**



**Technical data**

<b>Enclosure</b>
Dimensions with installation (HxBxD)
Material
<b>General characteristics</b>
Surface finish / Colour
Protection class
Ambient temperature
Impact resistance
UL 94 flammability rating
Enclosure seal material
Seal material of operating and display elements
Type of mounting
External earth
Lid attachment
Torque for lid screws
<b>Electrical properties*</b>
Wire connection cross section, finely stranded, max.
Operating voltage, max.
Temperature class
<b>Enclosure assembly</b>
1 Position in enclosure
2 Position in enclosure
3 Position in enclosure
4 Position in enclosure
Contact design
Actuators
Actuator colour
Illumination module colour
Illuminated button actuator colour
<b>Cable entries</b>
Drill holes side B
Cable gland
Clamping range min. / max.
<b>Approval and Marking</b>
Standards
Certificate No. (IECEX)
Certificate No. (ATEX)
Certificate no. (INMETRO)
Marking
<b>Accessories</b>
Mounting feet

152 / 120 / 128 mm
Glass-fibre reinforced polyester with graphite mixture
untreated / graphite black
IP54, IP66
-55 °C...+55 °C
7 joules in acc. with IEC 60079-0
V-0
Silicone (VMQ)
EPDM
Wall mounting
Available on request
Crosshead screws, stainless steel
2.5 Nm
2.5 mm <sup>2</sup>
400 V
T4, T5, T6
EMERGENCY-STOP pushbutton with yellow, contrasting label
2 NC contact, positive opening contacts
EMERGENCY STOP pushbutton
red
1 x M25
2721990000 - VG M25 EXE 12-17 CR7J G4
12 mm / 17 mm
IEC 60079-0, IEC 60079-7, IEC 60079-31
IECEXITA14.0013X
TUEV14ATEX7606X
II 2 G Ex d e IIC T* Gb
II 2 D Ex tb IIIC T*°C Db
9510910000 - MF POK BIG

152 / 120 / 103 mm
Glass-fibre reinforced polyester with graphite mixture
untreated / graphite black
IP54, IP66
-55 °C...+55 °C
7 joules in acc. with IEC 60079-0
V-0
Silicone (VMQ)
EPDM
Wall mounting
Available on request
Crosshead screws, stainless steel
2.5 Nm
2.5 mm <sup>2</sup>
400 V
T4, T5, T6
Pushbutton - green
1 NC contact, 1 NO contacts
Pushbutton
green
1 x M25
2721990000 - VG M25 EXE 12-17 CR7J G4
12 mm / 17 mm
IEC 60079-0, IEC 60079-7, IEC 60079-31
IECEXITA14.0013X
TUEV14ATEX7606X
II 2 G Ex d e IIC T* Gb
II 2 D Ex tb IIIC T*°C Db
9510910000 - MF POK BIG

<b>Note</b>
-------------

**Ordering data**

<b>Type</b>	<b>Qty.</b>	<b>Order No.</b>
KLIPPON CS POK 121209-2	1	1537070000

<b>Note</b>
-------------

<b>Type</b>	<b>Qty.</b>	<b>Order No.</b>
KLIPPON CS POK 121209-2	1	1537080000

<b>Note</b>
-------------

\*Other temperature classes and connection values on request, or see "Notice to Installer".

\*Other temperature classes and connection values on request, or see "Notice to Installer".

Klippon® CS POK 121209-2



152 / 120 / 117 mm
Glass-fibre reinforced polyester with graphite mixture
untreated / graphite black
IP54, IP66
-55 °C...+55 °C
7 joules in acc. with IEC 60079-0
V-0
Silicone (VMQ)
EPDM
Wall mounting
Available on request
Crosshead screws, stainless steel
2.5 Nm
2.5 mm <sup>2</sup>
400 V
T4, T5, T6
Key-operated switch
1 NC contact, 1 NO contacts
Key-operated switch, 3 switching positions, I - 0 - II, (I + II), latching, Key retractable
1 x M25
2721990000 - VG M25 EXE 12-17 CR7J G4
12 mm / 17 mm
IEC 60079-0, IEC 60079-7, IEC 60079-31
IECEXITA14.0013X
TUEV14ATEX7606X
II 2 G Ex d e IIC T* Gb
II 2 D Ex tb IIIC T**C Db
9510910000 - MF POK BIG

Klippon® CS POK 121209-2



152 / 120 / 105 mm
Glass-fibre reinforced polyester with graphite mixture
untreated / graphite black
IP54, IP66
-55 °C...+55 °C
4 joules in acc. with IEC 60079-0
V-0
Silicone (VMQ)
EPDM
Wall mounting
Available on request
Crosshead screws, stainless steel
2.5 Nm
2.5 mm <sup>2</sup>
250 V
T4, T5, T6
Illuminated pushbutton - green
2 NO contacts
Pushbutton
green
green
1 x M25
2721990000 - VG M25 EXE 12-17 CR7J G4
12 mm / 17 mm
IEC 60079-0, IEC 60079-7, IEC 60079-31
IECEXITA14.0013X
TUEV14ATEX7606X
II 2 G Ex d e IIC T* Gb
II 2 D Ex tb IIIC T**C Db
9510910000 - MF POK BIG

Klippon® CS POK 121209-4



152 / 120 / 103 mm
Glass-fibre reinforced polyester with graphite mixture
untreated / graphite black
IP54, IP66
-55 °C...+55 °C
7 joules in acc. with IEC 60079-0
V-0
Silicone (VMQ)
EPDM
Wall mounting
Available on request
Crosshead screws, stainless steel
2.5 Nm
2.5 mm <sup>2</sup>
400 V
T4, T5, T6
Pushbutton - red
Pushbutton - green
2 NC contact, 2 NO contacts
Pushbutton
red, green
1 x M25
2721990000 - VG M25 EXE 12-17 CR7J G4
12 mm / 17 mm
IEC 60079-0, IEC 60079-7, IEC 60079-31
IECEXITA14.0013X
TUEV14ATEX7606X
II 2 G Ex d e IIC T* Gb
II 2 D Ex tb IIIC T**C Db
9510910000 - MF POK BIG

Type	Qty.	Order No.
KLIPPON CS POK 121209-2	1	1537090000

Type	Qty.	Order No.
KLIPPON CS POK 121209-2	1	1537100000

Type	Qty.	Order No.
KLIPPON CS POK 121209-4	1	1537110000

\*Other temperature classes and connection values on request, or see "Notice to Installer".

\*Other temperature classes and connection values on request, or see "Notice to Installer".

\*Other temperature classes and connection values on request, or see "Notice to Installer".

Klippon® CS POK 121209-4



Klippon® CS POK 121209-4



Technical data

<b>Enclosure</b>	
Dimensions with installation (HxBxD)	152 / 120 / 112 mm
Material	Glass-fibre reinforced polyester with graphite mixture
<b>General characteristics</b>	
Surface finish / Colour	untreated / graphite black
Protection class	IP54, IP66
Ambient temperature	-55 °C...+55 °C
Impact resistance	4 joules in acc. with IEC 60079-0
UL 94 flammability rating	V-0
Enclosure seal material	Silicone (VMQ)
Seal material of operating and display elements	EPDM
Type of mounting	Wall mounting
External earth	Available on request
Lid attachment	Crosshead screws, stainless steel
Torque for lid screws	2.5 Nm
<b>Electrical properties*</b>	
Wire connection cross section, finely stranded, max.	2.5 mm <sup>2</sup>
Operating voltage, max.	250 V
Temperature class	T4, T5, T6
<b>Enclosure assembly</b>	
1 Position in enclosure	Light module - green
2 Position in enclosure	Pushbutton - green
3 Position in enclosure	
4 Position in enclosure	
Contact design	1 NC contact, 1 NO contacts
Actuators	Pushbutton
Actuator colour	green
Illumination module colour	green
Illuminated button actuator colour	
<b>Cable entries</b>	
Drill holes side B	1 x M25
Cable gland	2721990000 - VG M25 EXE 12-17 CR7J G4
Clamping range min. / max.	12 mm / 17 mm
<b>Approval and Marking</b>	
Standards	IEC 60079-0, IEC 60079-7, IEC 60079-31
Certificate No. (IECEX)	IECEXITA14.0013X
Certificate No. (ATEX)	TUEV14ATEX7606X
Certificate no. (INMETRO)	
Marking	II 2 G Ex d e IIC T* Gb II 2 D Ex tb IIIC T*°C Db
<b>Accessories</b>	
Mounting feet	9510910000 - MF POK BIG

<b>Enclosure</b>	
Dimensions with installation (HxBxD)	152 / 120 / 112 mm
Material	Glass-fibre reinforced polyester with graphite mixture
<b>General characteristics</b>	
Surface finish / Colour	untreated / graphite black
Protection class	IP54, IP66
Ambient temperature	-55 °C...+55 °C
Impact resistance	4 joules in acc. with IEC 60079-0
UL 94 flammability rating	V-0
Enclosure seal material	Silicone (VMQ)
Seal material of operating and display elements	EPDM
Type of mounting	Wall mounting
External earth	Available on request
Lid attachment	Crosshead screws, stainless steel
Torque for lid screws	2.5 Nm
<b>Electrical properties*</b>	
Wire connection cross section, finely stranded, max.	2.5 mm <sup>2</sup>
Operating voltage, max.	250 V
Temperature class	T4, T5, T6
<b>Enclosure assembly</b>	
1 Position in enclosure	Light module - green
2 Position in enclosure	Pushbutton - green
3 Position in enclosure	
4 Position in enclosure	
Contact design	1 NC contact, 1 NO contacts
Actuators	Pushbutton
Actuator colour	green
Illumination module colour	green
Illuminated button actuator colour	
<b>Cable entries</b>	
Drill holes side B	1 x M25
Cable gland	2721990000 - VG M25 EXE 12-17 CR7J G4
Clamping range min. / max.	12 mm / 17 mm
<b>Approval and Marking</b>	
Standards	IEC 60079-0, IEC 60079-7, IEC 60079-31
Certificate No. (IECEX)	IECEXITA14.0013X
Certificate No. (ATEX)	TUEV14ATEX7606X
Certificate no. (INMETRO)	
Marking	II 2 G Ex d e IIC T* Gb II 2 D Ex tb IIIC T*°C Db
<b>Accessories</b>	
Mounting feet	9510910000 - MF POK BIG

<b>Enclosure</b>	
Dimensions with installation (HxBxD)	152 / 120 / 128 mm
Material	Glass-fibre reinforced polyester with graphite mixture
<b>General characteristics</b>	
Surface finish / Colour	untreated / graphite black
Protection class	IP54, IP66
Ambient temperature	-55 °C...+55 °C
Impact resistance	4 joules in acc. with IEC 60079-0
UL 94 flammability rating	V-0
Enclosure seal material	Silicone (VMQ)
Seal material of operating and display elements	EPDM
Type of mounting	Wall mounting
External earth	Available on request
Lid attachment	Crosshead screws, stainless steel
Torque for lid screws	2.5 Nm
<b>Electrical properties*</b>	
Wire connection cross section, finely stranded, max.	2.5 mm <sup>2</sup>
Operating voltage, max.	250 V
Temperature class	T4, T5, T6
<b>Enclosure assembly</b>	
1 Position in enclosure	Light module - red
2 Position in enclosure	EMERGENCY-STOP pushbutton with yellow, contrasting label
3 Position in enclosure	
4 Position in enclosure	
Contact design	2 NC contact, positive opening contacts
Actuators	EMERGENCY STOP pushbutton
Actuator colour	red
Illumination module colour	red
Illuminated button actuator colour	
<b>Cable entries</b>	
Drill holes side B	1 x M25
Cable gland	2721990000 - VG M25 EXE 12-17 CR7J G4
Clamping range min. / max.	12 mm / 17 mm
<b>Approval and Marking</b>	
Standards	IEC 60079-0, IEC 60079-7, IEC 60079-31
Certificate No. (IECEX)	IECEXITA14.0013X
Certificate No. (ATEX)	TUEV14ATEX7606X
Certificate no. (INMETRO)	
Marking	II 2 G Ex d e IIC T* Gb II 2 D Ex tb IIIC T*°C Db
<b>Accessories</b>	
Mounting feet	9510910000 - MF POK BIG

<b>Note</b>	
-------------	--

<b>Note</b>	
-------------	--

<b>Note</b>	
-------------	--

Ordering data

Type	Qty.	Order No.
KLIPPON CS POK 121209-4	1	1537120000

Type	Qty.	Order No.
KLIPPON CS POK 121209-4	1	1537120000

Type	Qty.	Order No.
KLIPPON CS POK 121209-4	1	1537130000

<b>Note</b>	*Other temperature classes and connection values on request, or see "Notice to Installer".
-------------	--

<b>Note</b>	*Other temperature classes and connection values on request, or see "Notice to Installer".
-------------	--

<b>Note</b>	*Other temperature classes and connection values on request, or see "Notice to Installer".
-------------	--

Klippon® CS POK 122209-2



250 / 120 / 112 mm
Glass-fibre reinforced polyester with graphite mixture
untreated / graphite black
IP54, IP66
-55 °C...+55 °C
4 joules in acc. with IEC 60079-0
V-0
Silicone (VMQ)
EPDM
Wall mounting
Available on request
Crosshead screws, stainless steel
2.5 Nm
2.5 mm <sup>2</sup>
250 V
T4, T5, T6
Pushbutton - red
Light module - green
Pushbutton - green
2 NC contact, 2 NO contacts
Pushbutton
red, green
green
1 x M25
2721990000 - VG M25 EXE 12-17 CR7J G4
12 mm / 17 mm
IEC 60079-0, IEC 60079-7, IEC 60079-31
IECEXITA14.0013X
TUEV14ATEX7606X
II 2 G Ex d e IIC T* Gb
II 2 D Ex tb IIIC T**C Db
9510910000 - MF POK BIG

Klippon® CS POK 122209-2



250 / 120 / 103 mm
Glass-fibre reinforced polyester with graphite mixture
untreated / graphite black
IP54, IP66
-55 °C...+55 °C
7 joules in acc. with IEC 60079-0
V-0
Silicone (VMQ)
EPDM
Wall mounting
Available on request
Crosshead screws, stainless steel
2.5 Nm
2.5 mm <sup>2</sup>
400 V
T4, T5, T6
Pushbutton - green
Pushbutton - red
Pushbutton - green
3 NC contact, 3 NO contacts
Pushbutton
green, red
1 x M25
2721990000 - VG M25 EXE 12-17 CR7J G4
12 mm / 17 mm
IEC 60079-0, IEC 60079-7, IEC 60079-31
IECEXITA14.0013X
TUEV14ATEX7606X
II 2 G Ex d e IIC T* Gb
II 2 D Ex tb IIIC T**C Db
9510910000 - MF POK BIG

Klippon® CS POK 122209-2



250 / 120 / 128 mm
Glass-fibre reinforced polyester with graphite mixture
untreated / graphite black
IP54, IP66
-55 °C...+55 °C
7 joules in acc. with IEC 60079-0
V-0
Silicone (VMQ)
EPDM
Wall mounting
Available on request
Crosshead screws, stainless steel
2.5 Nm
2.5 mm <sup>2</sup>
400 V
T4, T5, T6
Pushbutton - green
Pushbutton - red
EMERGENCY-STOP pushbutton with yellow, contrasting label
2 NO contacts, 2 NC contact, positive opening contacts
Pushbutton, EMERGENCY STOP pushbutton
green, red
1 x M25
2721990000 - VG M25 EXE 12-17 CR7J G4
12 mm / 17 mm
IEC 60079-0, IEC 60079-7, IEC 60079-31
IECEXITA14.0013X
TUEV14ATEX7606X
II 2 G Ex d e IIC T* Gb
II 2 D Ex tb IIIC T**C Db
9510910000 - MF POK BIG

Type	Qty.	Order No.
KLIPPON CS POK 122209-2	1	1537140000

Type	Qty.	Order No.
KLIPPON CS POK 122209-2	1	1537150000

Type	Qty.	Order No.
KLIPPON CS POK 122209-2	1	1537170000

\*Other temperature classes and connection values on request, or see "Notice to Installer".

\*Other temperature classes and connection values on request, or see "Notice to Installer".

\*Other temperature classes and connection values on request, or see "Notice to Installer".

Klippon® CS POK 122209-4



Technical data

<b>Enclosure</b>	
Dimensions with installation (HxBxD)	250 / 120 / 112 mm
Material	Glass-fibre reinforced polyester with graphite mixture
<b>General characteristics</b>	
Surface finish / Colour	untreated / graphite black
Protection class	IP54, IP66
Ambient temperature	-55 °C...+55 °C
Impact resistance	4 joules in acc. with IEC 60079-0
UL 94 flammability rating	V-0
Enclosure seal material	Silicone (VMQ)
Seal material of operating and display elements	EPDM
Type of mounting	Wall mounting
External earth	Available on request
Lid attachment	Crosshead screws, stainless steel
Torque for lid screws	2.5 Nm
<b>Electrical properties*</b>	
Wire connection cross section, finely stranded, max.	2.5 mm²
Operating voltage, max.	250 V
Temperature class	T4, T5, T6
<b>Enclosure assembly</b>	
1 Position in enclosure	Light module - red
2 Position in enclosure	Pushbutton - red
3 Position in enclosure	Light module - green
4 Position in enclosure	Pushbutton - green
Contact design	2 NC contact, 2 NO contacts
Actuators	Pushbutton
Actuator colour	green, red
Illumination module colour	red, green
Illuminated button actuator colour	
<b>Cable entries</b>	
Drill holes side B	1 x M25
Cable gland	2721990000 - VG M25 EXE 12-17 CR7J G4
Clamping range min. / max.	12 mm / 17 mm
<b>Approval and Marking</b>	
Standards	IEC 60079-0, IEC 60079-7, IEC 60079-31
Certificate No. (IECEX)	IECEXITA14.0013X
Certificate No. (ATEX)	TUEV14ATEX7606X
Certificate no. (INMETRO)	
Marking	II 2 G Ex d e IIC T* Gb II 2 D Ex tb IIIC T*°C Db
<b>Accessories</b>	
Mounting feet	9510910000 - MF POK BIG

<b>Note</b>	
-------------	--

Ordering data

Type	Qty.	Order No.
KLIPPON CS POK 122209-4	1	1537180000

<b>Note</b>	*Other temperature classes and connection values on request, or see "Notice to Installer".
-------------	--



## Klippon® Fire Rated Box

### High functional integrity thanks to robust industrial enclosures

**C** Fire protection enclosures are often used in tunnel systems. There they ensure that important electrical installations function reliably, even in the event of a fire. This is especially the case when it comes to emergency systems for lighting and ventilation. Fire protection enclosures in the Klippon® Fire Rated Box range are designed to maintain electrical connections for defined periods of 30, 60 or 90 minutes at high temperatures of up to 1,000 °C. The products are configured according to requirements and comply with the most common international standard DIN 4102-12 (E30, E60 and E90). Testing for compliance with additional specific standards can be carried out on request. Fire resistance certificates are valid for specific configurations. Other configurations must be certified separately.

The Klippon® Fire Rated Box is available in variants made of glass fibre-reinforced plastic (Klippon® POK) or sheet steel (Klippon® STB). Both variants are extremely robust, durable and resistant to the extremely harsh environmental conditions of tunnel systems. They are highly corrosion-resistant, protected according to IP66 and impact-resistant up to 10 joules. They are fitted with high-quality ceramic terminals from the Weidmüller portfolio.

#### Your special advantages:

- Particularly robust and durable industrial enclosures
- Reliable protection of electrical functions in harsh environments
- Permanently available complete solution with high-quality components from the Weidmüller range
- Standard enclosures tested according to the most common standard DIN 4102-12 (E30, E60, E90)
- Available in four individually adaptable variants made of glass fibre-reinforced plastic or sheet steel, with or without fuse inserts
- Additional variations and customised assemblies available on request
- Ceramic terminals available with optional fuse holder



Use our online catalogue to find additional product details, technical information and additional services:

[www.weidmueller.com/klipponfireratedbox](http://www.weidmueller.com/klipponfireratedbox)





## Technical Overview

### Technical data

POK	
Enclosure material	Glass fibre-reinforced polyester to DIN 16913
Surface finish	Grey, similar to RAL7001
IP protection class	IP66 to DIN EN 60529
Installation mounting	M4 to M6 threaded bushes
Enclosure attachment	4 holes for M4 to M6 screws
Cover attachment	M4/M6 slotted / crosshead screws made of stainless steel
Impact resistance	IK08 (5J) acc. to DIN EN 50102
Gasket material	Chloroprene
Temperature range	-20 °C ... +80 °C
Torque screws for cover M4	2.0 - 2.5 Nm
Torque screws for cover M6	2.5 - 3.0 Nm
Surface resistance (in ohms)	1012 Ohm
Toxicity	Halogen and cadmium-free
Connection	SAKK Series ceramic terminals
Fuse carrier	optional
Switching integrity	max. E60
Conductor cross-section	1.5 - 10 mm <sup>2</sup>

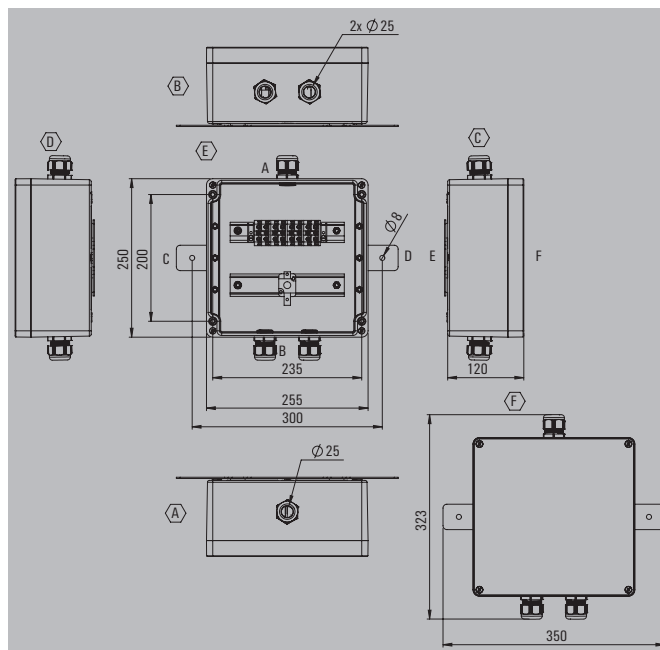
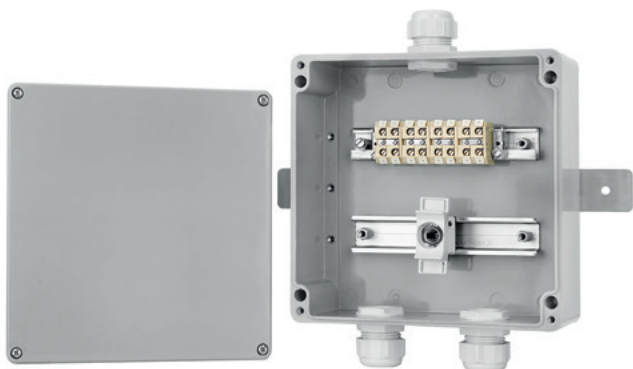
#### Note

## Overview of enclosures

### Ordering data

Description	Height x width x depth in mm (without cable glands)	functional integrity class* (DIN 4102)	Order No.
KLIPPON POK 252512 M25 E60	250 x 255 x 120	E60	8000052518
KLIPPON POK 252512 FH M25 E60	250 x 255 x 120	E60	8000052636
KLIPPON POK 252512 M32 E60	250 x 255 x 120	E60	8000054730
KLIPPON POK 252512 FH M32 E60	250 x 255 x 120	E60	8000054731

**Note:** \*The enclosures were tested with the cable variants „Dätwyler E 90 5 x 1.5 mm<sup>2</sup>“ and „EUPEN Eurocase E90 5x10 mm<sup>2</sup>“.  
The cabling was tested horizontally and vertically on the wall and also under the ceiling.  
E30-certified for all tested variants  
E60-certified for cable variant Dätwyler 5 x 1.5



Height / Width / Depth 250 / 255 / 120 mm

**Ordering data**

	Order No.
KLIPPON POK 252512 FH M25 E60	8000052636
<b>Note</b>	

**Technical data**

Article - short description	Klippon POK (polyester empty enclosure), Enclosures, Height: 250 mm, Width: 255 mm, Depth: 120 mm, Material: Glass fibre-reinforced polyester, untreated, Light Grey
Ambient temperature	-20...80 °C
Protection class	IP66
Fire resistance class according to DIN 4102-12	E60
Standards	DIN 4102-12
Impact resistance	5 J version standard
<b>Assembly</b>	
Fuse holder available	Yes
SAKK 10	8
Drill holes side A	1 x M25
Drill holes side B	2 x M25
<b>Technical data, enclosure</b>	
Material	Glass fibre-reinforced polyester
Surface finish	untreated
Seal material	Chloroprene
Lid attachment	Crosshead screws, stainless steel

**Reference products**

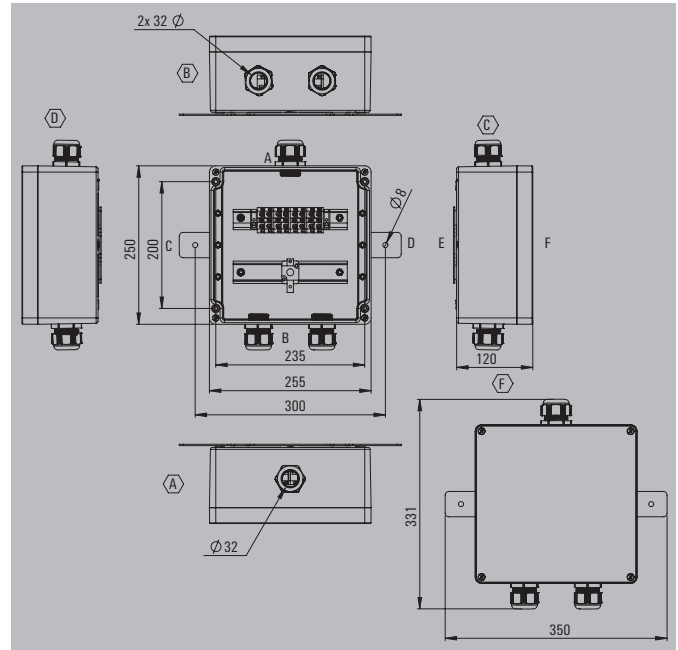
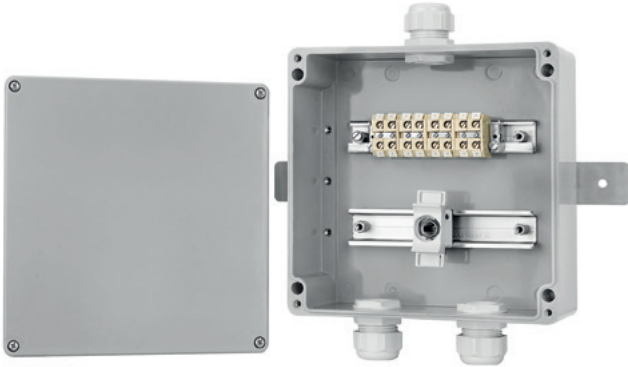
	Order No.
KLIPPON POK 252512	1305930000
TS 32X15 2M/ST/ZN	0122800000
TS 35X15 2M/ST/ZN	0236400000
SAKK 10	9502610000
QL 2 SAKK10	9502650000
KISC M3X20.5/10 EK4	0303000000
AP SAKK4/10 KER/WS	9502630000
VH 12.5 SAKK10	9509510000
MEW 1/32	0445600000
WS 8/8 MM WS	2007170000
VG M25-K67	1909710000
GWDR M25-NP	1736250000
SKMU M25 - K GR	1772470000

**Note**

**Note**

KLIPPON POK 252512 FH M32 E60

Depth 120 mm



Height / Width / Depth 250 / 255 / 120 mm

**Ordering data**

	Order No.
KLIPPON POK 252512 FH M32 E60	8000054731
<b>Note</b>	

**Technical data**

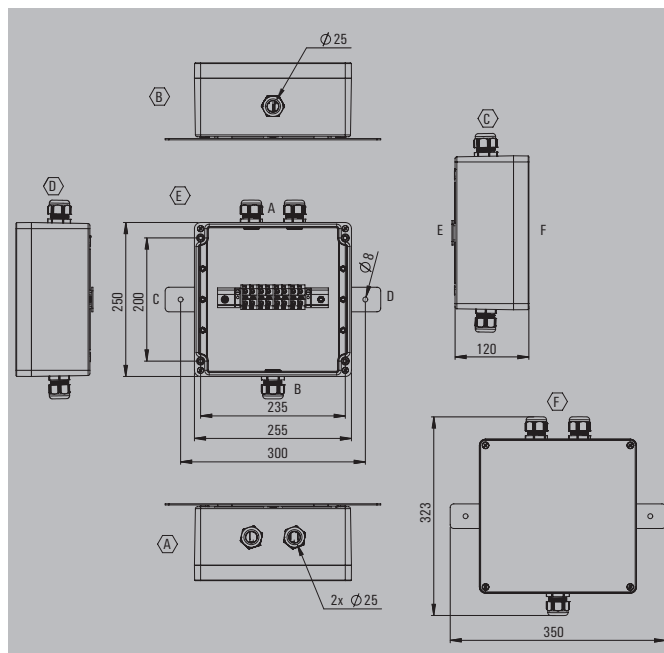
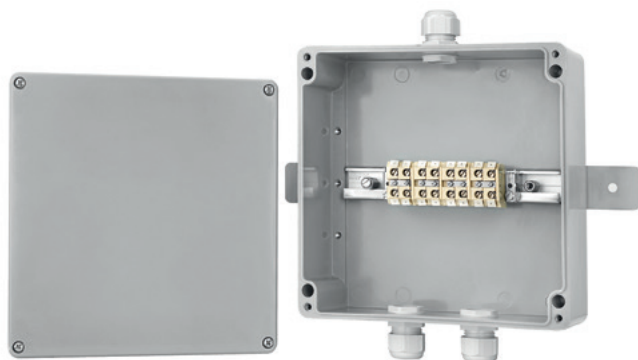
Article - short description	Klippon POK (polyester empty enclosure), Enclosures, Height: 250 mm, Width: 255 mm, Depth: 120 mm, Material: Glass fibre-reinforced polyester, untreated, grey, Light Grey
Ambient temperature	-20...80 °C
Protection class	IP66
Fire resistance class according to DIN 4102-12	E60
Standards	DIN 4102-12
Impact resistance	5 J version standard
<b>Assembly</b>	
Fuse holder available	Yes
SAKK 10	8
Drill holes side A	1 x M32
Drill holes side B	2 x M32
<b>Technical data, enclosure</b>	
Material	Glass fibre-reinforced polyester
Surface finish	untreated
Seal material	Chloroprene
Lid attachment	Crosshead screws, stainless steel

**Reference products**

	Order No.
KLIPPON POK 252512	1305930000
TS 32X15 2M/ST/ZN	0122800000
TS 35X15 2M/ST/ZN	0236400000
SAKK 10	9502610000
QL 2 SAKK10	9502650000
KISC M3X20.5/10 EK4	0303000000
AP SAKK4/10 KER/WS	9502630000
VH 12.5 SAKK10	9509510000
MEW 1/32	0445600000
WS 8/8 MM WS	2007170000
VG M32-K67	1909720000
GWDR M32-NP	1736260000
SKMU M32 - K GR	1772480000

**Note**

**Note**



Height / Width / Depth 250 / 255 / 120 mm

**Ordering data**

	Order No.
KLIPPON POK 252512 M25 E60	<b>8000052518</b>
<b>Note</b>	

**Technical data**

Article - short description	Klippon POK (polyester empty enclosure), Enclosures, Height: 250 mm, Width: 255 mm, Depth: 120 mm, Material: Glass fibre-reinforced polyester, untreated, grey, Light Grey
Ambient temperature	-20...80 °C
Protection class	IP66
Fire resistance class according to DIN 4102-12	E60
Standards	DIN 4102-12
Impact resistance	5 J version standard
<b>Assembly</b>	
Fuse holder available	No
SAKK 10	8
Drill holes side A	2 x M25
Drill holes side B	1 x M25
<b>Technical data, enclosure</b>	
Material	Glass fibre-reinforced polyester
Surface finish	untreated
Seal material	Chloroprene
Lid attachment	Crosshead screws, stainless steel

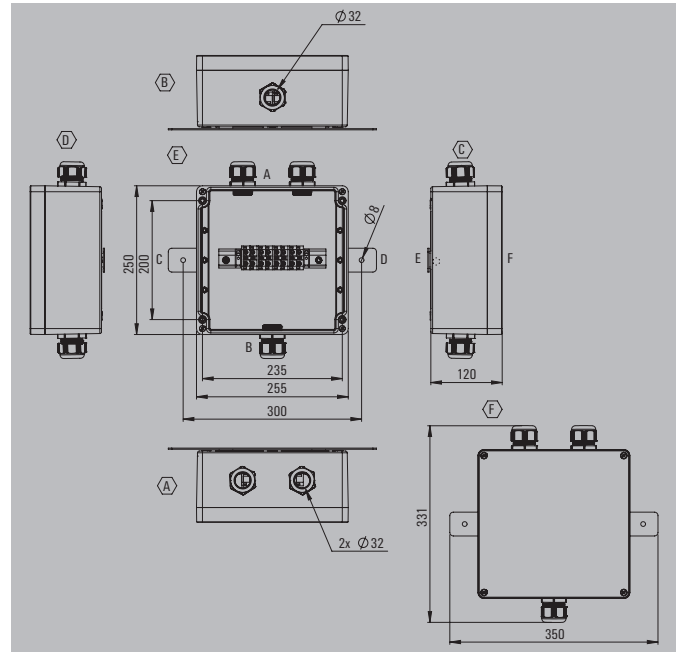
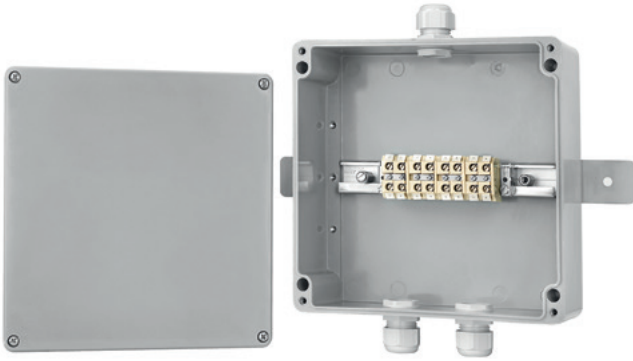
**Reference products**

	Order No.
KLIPPON POK 252512	<b>1305930000</b>
TS 32X15 2M/ST/ZN	<b>0122800000</b>
SAKK 10	<b>9502610000</b>
QL 2 SAKK10	<b>9502650000</b>
KISC M3X20.5/10 EK4	<b>0303000000</b>
AP SAKK4/10 KER/WS	<b>9502630000</b>
VH 12.5 SAKK10	<b>9509510000</b>
MEW 1/32	<b>0445600000</b>
WS 8/8 MM WS	<b>2007170000</b>
VG M25-K67	<b>1909710000</b>
GWDR M25-NP	<b>1736250000</b>
SKMU M25 - K GR	<b>1772470000</b>
<b>Note</b>	

**Note**

KLIPPON POK 252512 M32 E60

Depth 120 mm



250 / 255 / 120 mm

**Ordering data**

	Order No.
KLIPPON POK 252512 M32 E60	<b>8000054730</b>

Note

**Technical data**

Article - short description	Klippon POK (polyester empty enclosure), Enclosures, Height: 250 mm, Width: 255 mm, Depth: 120 mm, Material: Glass fibre-reinforced polyester, untreated, Light Grey
Ambient temperature	-20...80 °C
Protection class	IP66
Fire resistance class according to DIN 4102-12	E60
Standards	DIN 4102-12
Impact resistance	5 J version standard

**Assembly**

Fuse holder available	No
SAKK 10	8
Drill holes side A	2 x M32
Drill holes side B	1 x M32

**Technical data, enclosure**

Material	Glass fibre-reinforced polyester
Surface finish	untreated
Seal material	Chloroprene
Lid attachment	Crosshead screws, stainless steel

**Reference products**

	Order No.
KLIPPON POK 252512	<b>1305930000</b>
TS 32X15 2M/ST/ZN	<b>0122800000</b>
SAKK 10	<b>9502610000</b>
QL 2 SAKK10	<b>9502650000</b>
KISC M3X20.5/10 EK4	<b>0303000000</b>
AP SAKK4/10 KER/WS	<b>9502630000</b>
VH 12.5 SAKK10	<b>9509510000</b>
MEW 1/32	<b>0445600000</b>
WS 8/8 MM WS	<b>2007170000</b>
VG M32-K67	<b>1909720000</b>
GWDR M32-NP	<b>1736260000</b>
SKMU M32 - K GR	<b>1772480000</b>

Note

Note

## TBF – Large polyester enclosures

The enclosures in the TBF range are made from sturdy glass-fibre reinforced polyester. They offer a universal solution for protection of components such as controllers, measuring instruments, valves and other devices. Suitable applications include photovoltaics and energy distribution.

Key features of this product range include:

- Available in 9 sizes, with grey or transparent lids
- The lid has nylon screws fitted
- Mounting holes are outside the sealed area
- Thread for fitting to terminal rails and mounting plates
- High Ingress Protection (IP 66 and IP 67)

Weidmüller manufactures and supplies the enclosures to match customer specifications – fully fitted with terminals, electronics and cable glands.



Use our online catalogue to find additional product details, technical information and additional services:

[www.weidmueller.com/tbf](http://www.weidmueller.com/tbf)

### Overview of enclosures

#### Ordering data

Description	Dimensions in mm	Grey lid	Transparent lid
TBF 19/15	186 x 151 x 140	0360100000	0500500000
TBF 30/19	302 x 186 x 175	0360200000	0500600000
TBF 30/30	302 x 302 x 175	0360300000	0500700000
TBF 37/30	372 x 302 x 175	0360400000	0500800000
TBF 49/30	488 x 302 x 175 / 210	9502800000	9502840000
TBF 56/30	558 x 302 x 175 / 210	9502810000	9502850000
TBF 60/30	603 x 302 x 175 / 210	0360500000	0500900000
TBF 60/37	603 x 372 x 175 / 210	9502820000	9502860000
TBF 60/60	603 x 603 x 175 / 210	9502830000	9502870000

Note

## Technical Overview

### Features

- Extremely tough and impact resistant thanks to the glass-fibre reinforced polyester
- Extremely weather resistant
- High IP rating
- Approved according to the latest international standards

**Note** We deliver enclosures through our assembly service which are ready to be connected and suitable for every application.

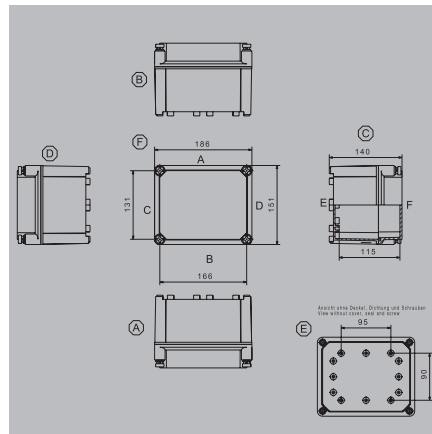
### Technical data

	Grey lid	Transparent lid
Enclosure material	Base and lid made of glass-fibre reinforced polyester (GRP)	Base made of glass-fibre reinforced polyester (GRP) Lid is polycarbonate (PC)
Surface finish	grey, similar to RAL 7035	
IP protection class	IP66 and IP67	IP 66
Installation mounting	4 or 6 M4 clamping screws	4 or 6 M4 clamping screws
Enclosure mounting	4 holes of 7 mm diameter or with external fastening lugs, see accessories	4 holes of 7 mm diameter or with external fastening lugs, see accessories
Lid fixing	4, 6 or 8 captive cross-headed nylon screws	4, 6 or 8 captive cross-headed nylon screws
Impact resistance	IK08 to IEC 62208 IK10 to EN/IEC 62262	IK08 to IEC 62208 IK10 to EN/IEC 62262
Gasket material	Polyurethane	Polyurethane
Temperature range	-50 °C...+130 °C (permanent temperature max. 70°C)	-35 °C...+120 °C (permanent temperature max. 70°C)
Flammability characteristics	UL 94 HB	V2
Toxicity	Free from halogens	Free from halogens
<b>Note</b>	For details of power dissipation, please contact your Weidmüller representative.	



TBF 19/15

140 mm

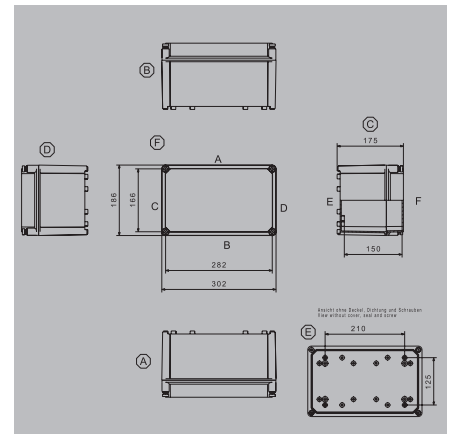


Height / Width / Depth

186 / 151 / 140 mm

TBF 30/19

175 mm



Height / Width / Depth

302 / 186 / 175 mm

Technical data

Assembly with terminal

- 2.5 mm<sup>2</sup>
- 4 mm<sup>2</sup>
- 6 mm<sup>2</sup>
- 10 mm<sup>2</sup>
- 16 mm<sup>2</sup>
- 35 mm<sup>2</sup>

Guide value for max. number of cable entries

- M12
- M16
- M20
- M25
- M32
- M40
- M50
- M63
- M75

Note

Ordering data

- Enclosure with grey lid
- Enclosure with transparent lid

Note

Accessories

Mounting plates and fastening screws

- Steel sheet, zinc plated
- M4 screw

External mounting lug, set of 4

- Polyamide

Earthing stud

- Brass, M6
- Stainless steel 1.4404, M6
- Brass, M10
- Stainless steel 1.4404, M10

Pressure compensation elements

- Polyamide 6, M12
- Stainless steel 1.4305, M12

Note

vertical

- 1x11
- 1x9
- 1x7
- 1x6
- 1x4
- 1x3

horizontal

- 1x18
- 1x15
- 1x7
- 1x9
- 1x6
- 1x5

A / B

- 11
- 6
- 2
- 2
- 1
- 1

C / D

- 11
- 6
- 2
- 1
- 1
- 1

vertical

- 2x22
- 2x18
- 2x14
- 2x11
- 2x8
- 2x7

horizontal

- 1x44
- 1x37
- 2x14
- 1x22
- 1x16
- 1x14

A / B

- 28
- 14
- 11
- 6
- 3
- 3
- 1
- 1

C / D

- 53
- 30
- 22
- 10
- 5
- 3
- 3
- 2

Type

Qty.

Order No.

TBF 19/15/14 7035	1	0360100000
TBF 19/15/14 TRSP	1	0500500000

Note

Type

Qty.

Order No.

TBF 30/19/18 7035	1	0360200000
TBF 30/19/18 TRSP	1	0500600000

Note

Type

Qty.

Order No.

MP TBF 19/15	1	9502720000
FKSC M4X6 D8/SW2	100	1567480000
MF TBF	1	0360800000
PEBZ M6 BR SET	1	1277250000
PEBZ M6 S4 SET	1	1283430000
PEBZ M10 BR SET	1	1277220000
PEBZ M10 S4 SET	1	1283440000

Note

Type

Qty.

Order No.

MP TBF 30/19	1	3018950000
FKSC M4X6 D8/SW2	100	1567480000
MF TBF	1	0360800000
PEBZ M6 BR SET	1	1277250000
PEBZ M6 S4 SET	1	1283430000
PEBZ M10 BR SET	1	1277220000
PEBZ M10 S4 SET	1	1283440000

Note

DAE M12 PA LONG

Qty.

Order No.

DAE M12 PA LONG	10	1868570000
DAE M12 SS	10	1868550000

Note

DAE M12 PA LONG

Qty.

Order No.

DAE M12 PA LONG	10	1868570000
DAE M12 SS	10	1868550000

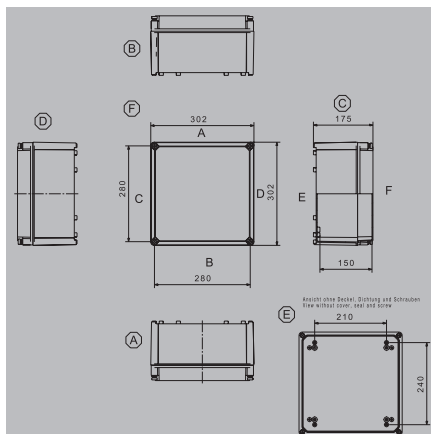
Note





**TBF 30/30**

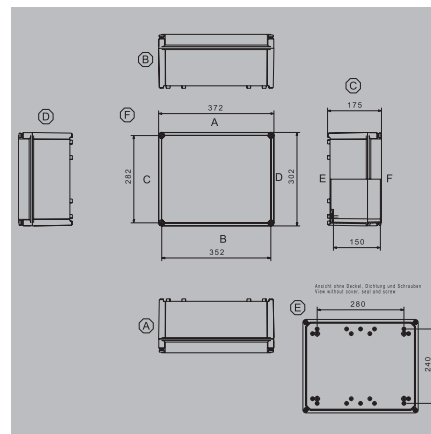
**175 mm**



302 / 302 / 175 mm

**TBF 37/30**

**175 mm**



372 / 302 / 175 mm

Height / Width / Depth

**Technical data**

Assembly with terminal
2.5 mm <sup>2</sup>
4 mm <sup>2</sup>
6 mm <sup>2</sup>
10 mm <sup>2</sup>
16 mm <sup>2</sup>
35 mm <sup>2</sup>
Guide value for max. number of cable entries
M12
M16
M20
M25
M32
M40
M50
M63
M75
Note

vertical	horizontal
2x44	1x44
2x37	1x37
2x28	2x28
2x22	1x22
2x16	1x16
2x14	1x14
A / B	C / D
44	44
24	24
20	20
10	10
4	4
3	3
3	3
2	2
Note	

vertical	horizontal
2x57	2x44
2x48	2x37
2x36	2x36
2x29	2x22
2x21	2x16
2x18	2x14
A / B	C / D
44	56
24	30
20	27
10	12
4	5
3	4
3	4
2	3
Note	

**Ordering data**

Type	Qty.	Order No.
Enclosure with grey lid	1	<b>0360300000</b>
Enclosure with transparent lid	1	<b>0500700000</b>
Note		

Type	Qty.	Order No.
TBF 30/30/18 7035	1	<b>0360300000</b>
TBF 30/30/18 TRSP	1	<b>0500700000</b>
Note		

Type	Qty.	Order No.
TBF 37/30/18 7035	1	<b>0360400000</b>
TBF 37/30/18 TRSP	1	<b>0500800000</b>
Note		

**Accessories**

Mounting plates and fastening screws
Steel sheet, zinc plated
M4 screw
External mounting lug, set of 4
Polyamide
Earthing stud
Brass, M6
Stainless steel 1.4404, M6
Brass, M10
Stainless steel 1.4404, M10
Pressure compensation elements
Polyamide 6, M12
Stainless steel 1.4305, M12
Note

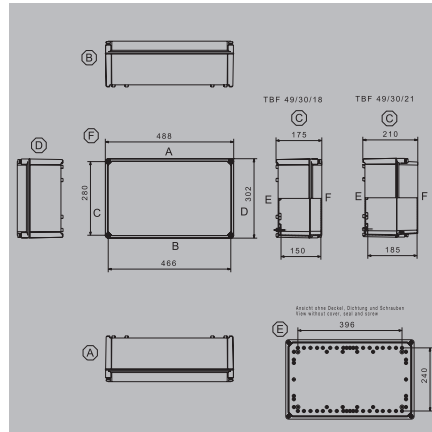
Type	Qty.	Order No.
MP TBF 30/30	1	<b>9502730000</b>
FKSC M4X6 D8/SW2	100	<b>1567480000</b>
MF TBF	1	<b>0360800000</b>
PEBZ M6 BR SET	1	<b>1277250000</b>
PEBZ M6 S4 SET	1	<b>1283430000</b>
PEBZ M10 BR SET	1	<b>1277220000</b>
PEBZ M10 S4 SET	1	<b>1283440000</b>
DAE M12 PA LONG	10	<b>1868570000</b>
DAE M12 SS	10	<b>1868550000</b>
Note		

Type	Qty.	Order No.
MP TBF 37/30	1	<b>9502740000</b>
FKSC M4X6 D8/SW2	100	<b>1567480000</b>
MF TBF	1	<b>0360800000</b>
PEBZ M6 BR SET	1	<b>1277250000</b>
PEBZ M6 S4 SET	1	<b>1283430000</b>
PEBZ M10 BR SET	1	<b>1277220000</b>
PEBZ M10 S4 SET	1	<b>1283440000</b>
DAE M12 PA LONG	10	<b>1868570000</b>
DAE M12 SS	10	<b>1868550000</b>
Note		



TBF 49/30

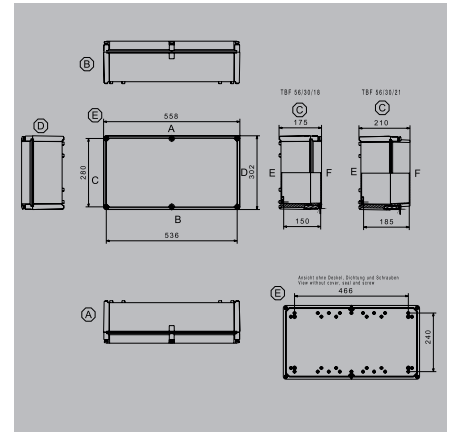
175 mm



488 / 302 / 175 mm

TBF 56/30

175 mm



558 / 302 / 175 mm

Height / Width / Depth

Technical data

Assembly with terminal

- 2.5 mm<sup>2</sup>
- 4 mm<sup>2</sup>
- 6 mm<sup>2</sup>
- 10 mm<sup>2</sup>
- 16 mm<sup>2</sup>
- 35 mm<sup>2</sup>

Guide value for max. number of cable entries

- M12
- M16
- M20
- M25
- M32
- M40
- M50
- M63
- M75

Note

Ordering data

- Enclosure with grey lid
- Enclosure with transparent lid

Note

Accessories

Mounting plates and fastening screws

- Steel sheet, zinc plated
- M4 screw

External mounting lug, set of 4

- Polyamide

Earthing stud

- Brass, M6
- Stainless steel 1.4404, M6
- Brass, M10
- Stainless steel 1.4404, M10

Pressure compensation elements

- Polyamide 6, M12
- Stainless steel 1.4305, M12

Note

	vertical	horizontal
	2x80	3x44
	2x67	3x37
	2x51	2x51
	2x41	3x22
	2x29	3x16
	2x25	3x14
	A / B	C / D
	44	42
	24	42
	20	36
	10	18
	4	7
	3	5
	3	5
	2	4

Type	Qty.	Order No.
TBF 49/30/18 7035	1	9502800000
TBF 49/30/21 TRSP	1	9502840000

Grey lid: 130 mm internal height, 175 mm total height  
Transparent lid: 160 mm internal height, 210 mm total height

Type	Qty.	Order No.
MP TBF 49/30	1	9500960000
FKSC M4X6 D8/SW2	100	1567480000
MF TBF	1	0360800000
PEBZ M6 BR SET	1	1277250000
PEBZ M6 S4 SET	1	1283430000
PEBZ M10 BR SET	1	1277220000
PEBZ M10 S4 SET	1	1283440000
DAE M12 PA LONG	10	1868570000
DAE M12 SS	10	1868550000

	vertical	horizontal
	2x94	4x44
	2x79	4x37
	2x59	2x59
	2x48	4x22
	2x34	4x16
	2x30	4x14
	A / B	C / D
	44	80
	24	46
	20	40
	10	18
	4	8
	3	6
	3	4
	2	4

Type	Qty.	Order No.
TBF 56/30/18 7035	1	9502810000
TBF 56/30/21 TRSP	1	9502850000

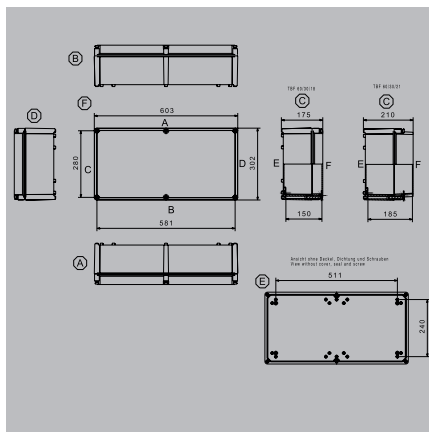
Grey lid: 130 mm internal height, 175 mm total height  
Transparent lid: 160 mm internal height, 210 mm total height

Type	Qty.	Order No.
MP TBF 56/30	1	9500950000
FKSC M4X6 D8/SW2	100	1567480000
MF TBF	1	0360800000
PEBZ M6 BR SET	1	1277250000
PEBZ M6 S4 SET	1	1283430000
PEBZ M10 BR SET	1	1277220000
PEBZ M10 S4 SET	1	1283440000
DAE M12 PA LONG	10	1868570000
DAE M12 SS	10	1868550000

Note

TBF 60/30

175 mm



Height / Width / Depth

603 / 302 / 175 mm

Technical data

Assembly with terminal

- 2.5 mm<sup>2</sup>
- 4 mm<sup>2</sup>
- 6 mm<sup>2</sup>
- 10 mm<sup>2</sup>
- 16 mm<sup>2</sup>
- 35 mm<sup>2</sup>

Guide value for max. number of cable entries

- M12
- M16
- M20
- M25
- M32
- M40
- M50
- M63
- M75

Note

	vertical	horizontal
	5x44	1x101
	5x37	1x85
	5x28	5x28
	5x22	1x51
	5x16	1x37
	5x14	1x32
	A / B	C / D
	44	88
	24	48
	20	40
	10	20
	4	8
	3	6
	3	6
	2	4

Ordering data

- Enclosure with grey lid
- Enclosure with transparent lid

Note

Type	Qty.	Order No.
TBF 60/30/18 7035	1	0360500000
TBF 60/30/21 TRSP	1	0500900000

Grey lid: 130 mm internal height, 175 mm total height  
Transparent lid: 160 mm internal height, 210 mm total height

Accessories

Mounting plates and fastening screws

- Steel sheet, zinc plated
- M4 screw

External mounting lug, set of 4

- Polyamide

Earthing stud

- Brass, M6
- Stainless steel 1.4404, M6
- Brass, M10
- Stainless steel 1.4404, M10

Pressure compensation elements

- Polyamide 6, M12
- Stainless steel 1.4305, M12

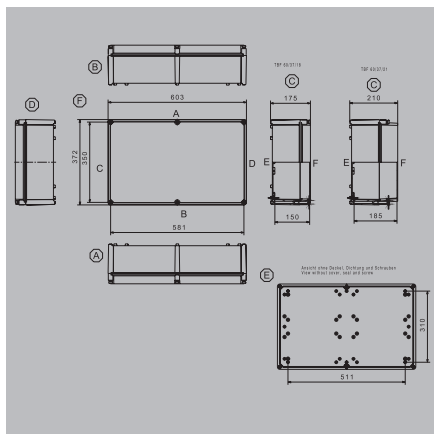
Type	Qty.	Order No.
MP TBF 60/30	1	9502750000
FKSC M4X6 D8/SW2	100	1567480000
MF TBF	1	0360800000
PEBZ M6 BR SET	1	1277250000
PEBZ M6 S4 SET	1	1283430000
PEBZ M10 BR SET	1	1277220000
PEBZ M10 S4 SET	1	1283440000
DAE M12 PA LONG	10	1868570000
DAE M12 SS	10	1868550000

Note



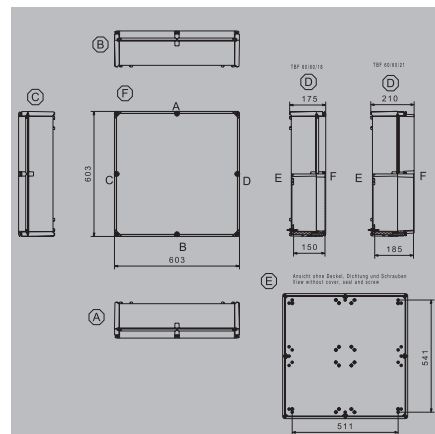
TBF 60/37

175 mm



TBF 60/60

175 mm



Height / Width / Depth

603 / 372 / 175 mm

603 / 605 / 175 mm

Technical data

Assembly with terminal
2.5 mm <sup>2</sup>
4 mm <sup>2</sup>
6 mm <sup>2</sup>
10 mm <sup>2</sup>
16 mm <sup>2</sup>
35 mm <sup>2</sup>
Guide value for max. number of cable entries
M12
M16
M20
M25
M32
M40
M50
M63
M75
Note

	vertical	horizontal
	5x57	2x101
	5x48	2x85
	5x36	5x36
	5x29	2x51
	5x21	2x37
	5x18	2x32
	A / B	C / D
	52	88
	30	48
	26	40
	12	20
	5	8
	4	6
	4	6
	3	4
Note		

	vertical	horizontal
	5x101	4x101
	5x85	4x85
	5x64	5x64
	5x51	4x51
	5x37	4x37
	5x32	4x32
	A / B	C / D
	88	88
	48	48
	40	40
	20	20
	8	8
	6	6
	6	6
	4	4
Note		

Ordering data

Type	Qty.	Order No.
TBF 60/37/18 7035	1	9502820000
TBF 60/37/21 TRSP	1	9502860000
Note	Grey lid: 130 mm internal height, 175 mm total height Transparent lid: 160 mm internal height, 210 mm total height	

Type	Qty.	Order No.
TBF 60/60/18 7035	1	9502830000
TBF 60/60/21 TRSP	1	9502870000
Note	Grey lid: 130 mm internal height, 175 mm total height Transparent lid: 160 mm internal height, 210 mm total height	

Accessories

Type	Qty.	Order No.
MP TBF 60/37	1	9502910000
FKSC M4X6 D8/SW2	100	1567480000
MF TBF	1	0360800000
PEBZ M6 BR SET	1	1277250000
PEBZ M6 S4 SET	1	1283430000
PEBZ M10 BR SET	1	1277220000
PEBZ M10 S4 SET	1	1283440000
DAE M12 PA LONG	10	1868570000
DAE M12 SS	10	1868550000
Note		

Type	Qty.	Order No.
MP TBF 60/60	1	9502920000
FKSC M4X6 D8/SW2	100	1567480000
MF TBF	1	0360800000
PEBZ M6 BR SET	1	1277250000
PEBZ M6 S4 SET	1	1283430000
PEBZ M10 BR SET	1	1277220000
PEBZ M10 S4 SET	1	1283440000
DAE M12 PA LONG	10	1868570000
DAE M12 SS	10	1868550000
Note		



## MPC – Small polycarbonate enclosures

The polycarbonate enclosures of the MPC range are ideal for enclosing electrical, electro-mechanical and pneumatic devices as well as PCBs. The enclosures are used in situations with extreme mechanical and chemical conditions.

The characteristics of the enclosures are:

- Available in 17 sizes, with grey or transparent lids
- Lid fixing screws equipped with sealing holes
- Fixing holes outside the sealed area
- Thread for fitting to terminal rails, mounting plates and PCBs

Weidmüller manufactures and supplies the enclosures to match customer specifications – fully fitted with terminals, electronics and cable glands.



Use our online catalogue to find additional product details, technical information and additional services:

[www.weidmueller.com/mpc](http://www.weidmueller.com/mpc)



You can find this product family in our Weidmüller Configurator:

[www.weidmueller.com/wmc](http://www.weidmueller.com/wmc)

### Overview of enclosures

#### Ordering data

Description	Dimensions in mm	Grey lid	Transparent lid
MPC 07/12/07	75 x 125 x 75	9535170000	9535180000
MPC 07/12/10	75 x 125 x 100	9535190000	9535200000
MPC 07/12/12	75 x 125 x 120	9535210000	9535220000
MPC 12/12/07	120 x 120 x 75	9535230000	9535240000
MPC 12/12/10	120 x 120 x 100	9535250000	9535260000
MPC 12/12/12	120 x 120 x 120	9535270000	9535280000
MPC 12/17/07	120 x 175 x 75	9535290000	9535300000
MPC 12/17/10	120 x 175 x 100	9535310000	9535320000
MPC 12/17/12	120 x 175 x 120	9535330000	9535340000
MPC 12/17/15	120 x 175 x 150	9535350000	9535360000
MPC 17/17/07	175 x 175 x 75	9535370000	9535380000
MPC 17/17/10	175 x 175 x 100	9535390000	9535400000
MPC 17/17/12	175 x 175 x 120	9535410000	
MPC 17/17/15	175 x 175 x 150	9535430000	9535440000
MPC 17/25/07	175 x 250 x 75	9535450000	
MPC 17/25/10	175 x 250 x 100	9535470000	9535480000
MPC 17/25/15	175 x 250 x 150	9535490000	9535500000

Note

## Technical Overview

### Features

- High thermal stability thanks to the polycarbonate
- Extremely tough and impact resistant thanks to the high fibre-glass content.
- Good IP rating, due to use of polyurethane (PUR) gasket material
- Approved according to the latest international standards

**Note** We deliver enclosures through our assembly service which are ready to be connected and suitable for every application.

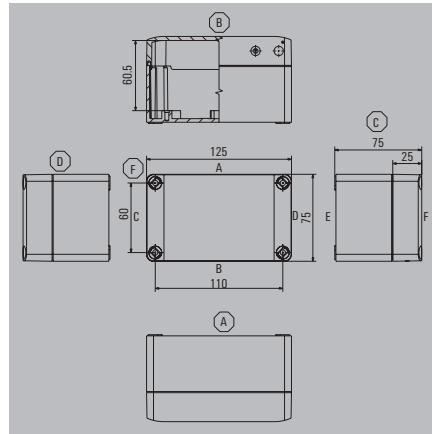
### Technical data

	Grey lid	Transparent lid
Enclosure material	Base and lid made of glass-fibre reinforced polycarbonate	Base made of glass-fibre reinforced polycarbonate, ABS lid
Cover	Grey	Transparent
Surface finish	Grey, similar to RAL 7035	Grey, similar to RAL 7035
IP protection class	IP 66, IP 67	IP 66, IP 67
Installation mounting	Self-tapping screws	Self-tapping screws
Enclosure mounting	4 holes (4.5 mm diameter) or external mounting brackets (optional)	4 holes (4.5 mm diameter) or external mounting brackets (optional)
Lid fixing	4 cross-head screws (polyamide)	4 cross-head screws (polyamide)
Gasket material	Polyurethane foam	Polyurethane foam
Temperature range	-50 °C...+100 °C	-40 °C...+60 °C
Impact resistance	IK 08	IK 06
<b>Note</b>	For details of power dissipation, please contact your Weidmüller representative.	



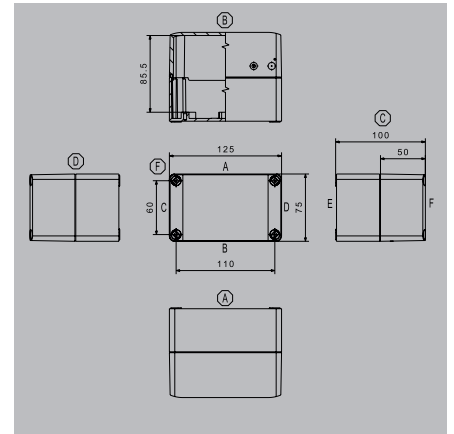
MPC 07/12/07

75 mm



MPC 07/12/10

100 mm



Height / Width / Depth

75 / 125 / 75 mm

75 / 125 / 100 mm

Technical data

Assembly with terminal

- 2.5 mm<sup>2</sup>
- 4 mm<sup>2</sup>
- 6 mm<sup>2</sup>
- 10 mm<sup>2</sup>
- 16 mm<sup>2</sup>
- 35 mm<sup>2</sup>

Guide value for max. number of cable entries

- M12
- M16
- M20
- M25
- M32
- M40
- M50
- M63
- M75

Note

vertical	horizontal
1x13	1x13
1x11	1x11
1x8	1x8
1x6	1x6

A / B	C / D
1	4
1	3
1	3

vertical	horizontal
1x13	1x13
1x11	1x11
1x8	1x8
1x6	1x6

A / B	C / D
1	4
1	3
1	3

Ordering data

- Enclosure with grey lid
- Enclosure with transparent lid

Note

Type	Qty.	Order No.
MPC 07/12/07 7035	1	9535170000
MPC 07/12/07 TRSP	1	9535180000

Type	Qty.	Order No.
MPC 07/12/10 7035	1	9535190000
MPC 07/12/10 TRSP	20	9535200000

Accessories

Mounting plates and fastening screws

- Steel sheet, zinc plated
- M4 screw

Mounting rails, TS15x5

- Vertical
- Horizontally

Mounting rails, TS35x7.5

- Horizontally
- Vertical

External mounting lug, set of 4

Hinge, set of 2

Earthing stud

- Brass, M6
- Stainless steel 1.4404, M6
- Brass, M10
- Stainless steel 1.4404, M10

Pressure compensation elements

- Polyamide 6, M12
- Stainless steel 1.4305, M12

Note

Type	Qty.	Order No.
MP MPC 07/12	10	9535540000
FKSC M4X6 D8/SW2	100	1567480000

TS15X5 ST MPC1217 VER	20	8000037598
TS15X5 ST MPC0712 VER	20	8000037599

TS 35X105_MPC_12	20	8000037603
------------------	----	------------

MF MPC	1	9535600000
--------	---	------------

HG MPC	1	9535590000
--------	---	------------

PEBZ M6 BR SET	1	1277250000
PEBZ M6 S4 SET	1	1283430000
PEBZ M10 BR SET	1	1277220000
PEBZ M10 S4 SET	1	1283440000

DAE M12 PA LONG	10	1868570000
DAE M12 SS	10	1868550000

Type	Qty.	Order No.
MP MPC 07/12	10	9535540000
FKSC M4X6 D8/SW2	100	1567480000
SC MPC	100	9535640000

TS15X5 MPC1217 VER	20	8000037598
TS15X5 MPC0712 VER	20	8000037599

MF MPC	1	9535600000
--------	---	------------

HG MPC	1	9535590000
--------	---	------------

PEBZ M6 BR SET	1	1277250000
PEBZ M6 S4 SET	1	1283430000
PEBZ M10 BR SET	1	1277220000
PEBZ M10 S4 SET	1	1283440000

DAE M12 PA LONG	10	1868570000
DAE M12 SS	10	1868550000

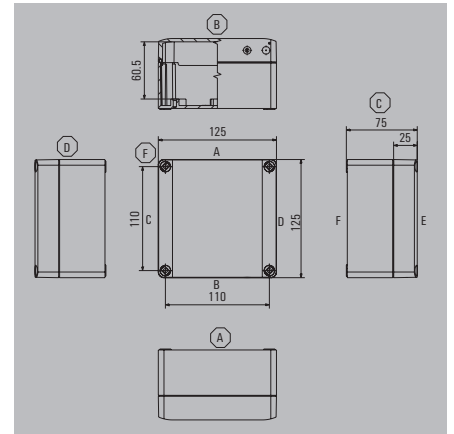
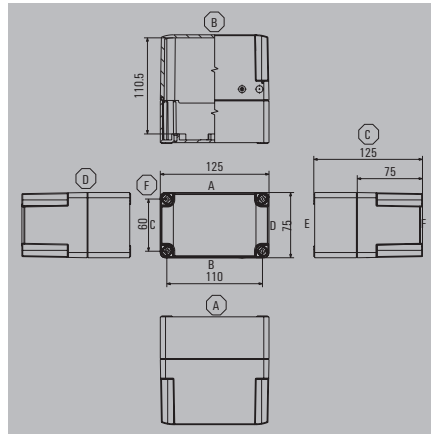


MPC 07/12/12

125 mm

MPC 12/12/07

75 mm



Height / Width / Depth

75 / 125 / 125 mm

125 / 125 / 75 mm

Technical data

Assembly with terminal

2.5 mm<sup>2</sup>  
4 mm<sup>2</sup>  
6 mm<sup>2</sup>  
10 mm<sup>2</sup>  
16 mm<sup>2</sup>  
35 mm<sup>2</sup>

Guide value for max. number of cable entries

M12  
M16  
M20  
M25  
M32  
M40  
M50  
M63  
M75

Note

	vertical	horizontal
	1x13	1x13
	1x11	1x11
	1x8	1x8
	1x6	1x6
	1x5	1x1
	1x4	1x1
	A / B	C / D
	1	4
	1	3
	1	3

	vertical	horizontal
	1x13	1x13
	1x11	1x11
	1x8	1x8
	1x6	1x6
	A / B	C / D
	4	4
	3	3
	3	3

Ordering data

Enclosure with grey lid  
Enclosure with transparent lid

Note

Type	Qty.	Order No.
MPC 07/12/12 7035	1	9535210000
MPC 07/12/12 TRSP	1	9535220000

Type	Qty.	Order No.
MPC 12/12/07 7035	1	9535230000
MPC 12/12/07 TRSP	1	9535240000

Accessories

Mounting plates and fastening screws

Steel sheet, zinc plated  
M4 screw

Mounting rails, TS15x5

Vertical  
Horizontally

Mounting rails, TS35x7.5

Horizontally  
Vertical

External mounting lug, set of 4

Hinge, set of 2

Earthing stud

Brass, M6  
Stainless steel 1.4404, M6  
Brass, M10  
Stainless steel 1.4404, M10

Pressure compensation elements

Polyamide 6, M12  
Stainless steel 1.4305, M12

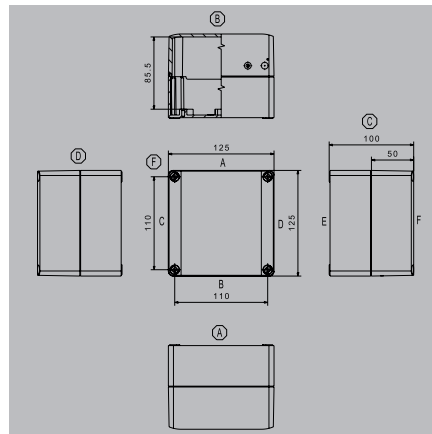
Note

Type	Qty.	Order No.
MP MPC 07/12	10	9535540000
FKSC M4X6 D8/SW2	100	1567480000
TS15X5 ST MPC1217 VER	20	8000037598
TS15X5 ST MPC0712 VER	20	8000037599
TS 35X105_MPC_12	20	8000037603
MF MPC	1	9535600000
HG MPC	1	9535590000
PEBZ M6 BR SET	1	1277250000
PEBZ M6 S4 SET	1	1283430000
PEBZ M10 BR SET	1	1277220000
PEBZ M10 S4 SET	1	1283440000
DAE M12 PA LONG	10	1868570000
DAE M12 SS	10	1868550000

Type	Qty.	Order No.
MP MPC 12/12	10	9535550000
FKSC M4X6 D8/SW2	100	1567480000
TS15X5 MPC1217 VER	20	8000037598
TS 35X105_MPC_12	20	8000037603
TS35 MPC 1717 VER	20	8000037605
MF MPC	1	9535600000
HG MPC	1	9535590000
PEBZ M6 BR SET	1	1277250000
PEBZ M6 S4 SET	1	1283430000
PEBZ M10 BR SET	1	1277220000
PEBZ M10 S4 SET	1	1283440000
DAE M12 PA LONG	10	1868570000
DAE M12 SS	10	1868550000

MPC 12/12/10

100 mm

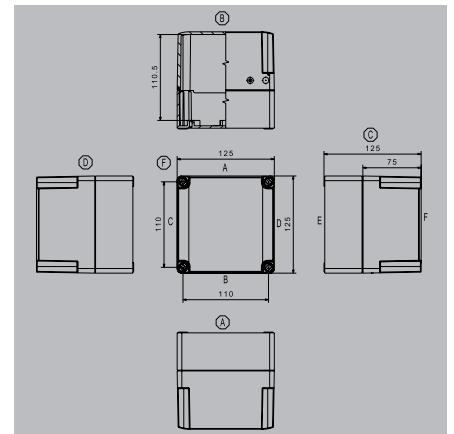


Height / Width / Depth

125 / 125 / 100 mm

MPC 12/12/12

125 mm



Height / Width / Depth

125 / 125 / 125 mm

Technical data

Assembly with terminal
2.5 mm <sup>2</sup>
4 mm <sup>2</sup>
6 mm <sup>2</sup>
10 mm <sup>2</sup>
16 mm <sup>2</sup>
35 mm <sup>2</sup>
Guide value for max. number of cable entries
M12
M16
M20
M25
M32
M40
M50
M63
M75
Note

vertical	horizontal
1x13	1x13
1x11	1x11
1x8	1x8
1x6	1x6
A / B	C / D
4	4
3	3
3	3
Note	

vertical	horizontal
1x13	1x13
1x11	1x11
1x8	1x8
1x6	1x6
A / B	C / D
4	4
3	3
3	3
Note	

Ordering data

Enclosure with grey lid	
Enclosure with transparent lid	
Note	

Type	Qty.	Order No.
MPC 12/12/10 7035	1	9535250000
MPC 12/12/10 TRSP	12	9535260000
Note		

Type	Qty.	Order No.
MPC 12/12/12 7035	1	9535270000
MPC 12/12/12 TRSP	1	9535280000
Note		

Accessories

Mounting plates and fastening screws	
Steel sheet, zinc plated	
M4 screw	
Mounting rails, TS15x5	
Vertical	
Horizontally	
Mounting rails, TS35x7.5	
Horizontally	
Vertical	
External mounting lug, set of 4	
Hinge, set of 2	
Earthing stud	
Brass, M6	
Stainless steel 1.4404, M6	
Brass, M10	
Stainless steel 1.4404, M10	
Pressure compensation elements	
Polyamide 6, M12	
Stainless steel 1.4305, M12	
Note	

Type	Qty.	Order No.
MP MPC 12/12	10	9535550000
FKSC M4X6 D8/SW2	100	1567480000
SC MPC	100	9535640000
TS15X5 ST MPC1217 VER	20	8000037598
MF MPC	1	9535600000
HG MPC	1	9535590000
PEBZ M6 BR SET	1	1277250000
PEBZ M6 S4 SET	1	1283430000
PEBZ M10 BR SET	1	1277220000
PEBZ M10 S4 SET	1	1283440000
DAE M12 PA LONG	10	1868570000
DAE M12 SS	10	1868550000
Note		

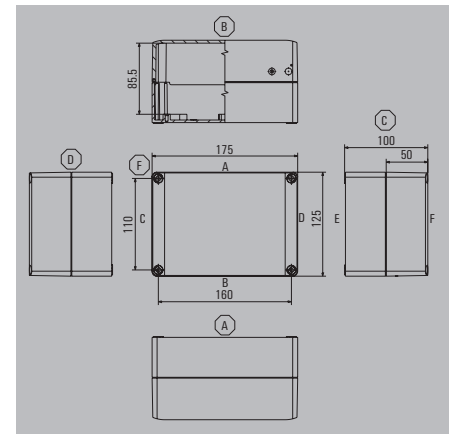
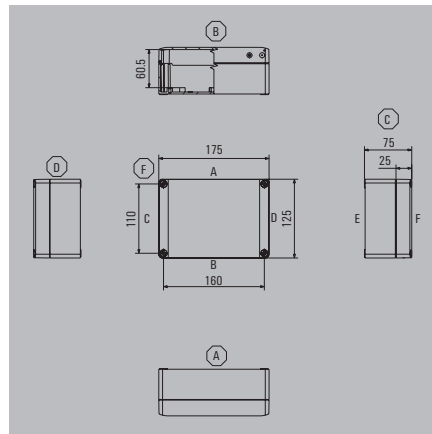
Type	Qty.	Order No.
MP MPC 12/12	10	9535550000
FKSC M4X6 D8/SW2	100	1567480000
SC MPC	100	9535640000
TS15X5 MPC1217 VER	20	8000037598
MF MPC	1	9535600000
HG MPC	1	9535590000
PEBZ M6 BR SET	1	1277250000
PEBZ M6 S4 SET	1	1283430000
PEBZ M10 BR SET	1	1277220000
PEBZ M10 S4 SET	1	1283440000
DAE M12 PA LONG	10	1868570000
DAE M12 SS	10	1868550000
Note		

MPC 12/17/07

75 mm

MPC 12/17/10

100 mm



Height / Width / Depth

125 / 175 / 75 mm

125 / 175 / 100 mm

Technical data

Assembly with terminal

- 2.5 mm<sup>2</sup>
- 4 mm<sup>2</sup>
- 6 mm<sup>2</sup>
- 10 mm<sup>2</sup>
- 16 mm<sup>2</sup>
- 35 mm<sup>2</sup>

Guide value for max. number of cable entries

- M12
- M16
- M20
- M25
- M32
- M40
- M50
- M63
- M75

Note

vertical	horizontal
1x22	1x22
1x19	1x19
1x14	1x14
1x11	1x11

A / B	C / D
4	6
3	4
3	4

vertical	horizontal
1x22	1x22
1x19	1x19
1x14	1x14
1x11	1x11
1x9	1x5
1x7	1x4

A / B	C / D
4	6
3	4
3	4

Ordering data

- Enclosure with grey lid
- Enclosure with transparent lid

Note

Type	Qty.	Order No.
MPC 12/17/07 7035	1	9535290000
MPC 12/17/07 TRSP	1	9535300000

Type	Qty.	Order No.
MPC 12/17/10 7035	1	9535310000
MPC 12/17/10 TRSP	1	9535320000

Accessories

Mounting plates and fastening screws

- Steel sheet, zinc plated
- M4 screw

Mounting rails, TS15x5

- Vertical
- Horizontally

Mounting rails, TS35x7.5

- Horizontally
- Vertical

External mounting lug, set of 4

Hinge, set of 2

Earthing stud

- Brass, M6
- Stainless steel 1.4404, M6
- Brass, M10
- Stainless steel 1.4404, M10

Pressure compensation elements

- Polyamide 6, M12
- Stainless steel 1.4305, M12

Note

Type	Qty.	Order No.
MP MPC 12/17	1	9535560000
FKSC M4X6 D8/SW2	100	1567480000

TS 35X105_MPC_12	20	8000037603
TS35 MPC 1717 VER	20	8000037605

MF MPC	1	9535600000
--------	---	------------

HG MPC	1	9535590000
--------	---	------------

PEBZ M6 BR SET	1	1277250000
PEBZ M6 S4 SET	1	1283430000
PEBZ M10 BR SET	1	1277220000
PEBZ M10 S4 SET	1	1283440000

DAE M12 PA LONG	10	1868570000
DAE M12 SS	10	1868550000

Type	Qty.	Order No.
MP MPC 12/17	1	9535560000
FKSC M4X6 D8/SW2	100	1567480000

TS15X5 MPC1217 VER	20	8000037598
--------------------	----	------------

TS35 MPC 1717 VER	20	8000037605
-------------------	----	------------

MF MPC	1	9535600000
--------	---	------------

HG MPC	1	9535590000
--------	---	------------

PEBZ M6 BR SET	1	1277250000
PEBZ M6 S4 SET	1	1283430000
PEBZ M10 BR SET	1	1277220000
PEBZ M10 S4 SET	1	1283440000

DAE M12 PA LONG	10	1868570000
DAE M12 SS	10	1868550000



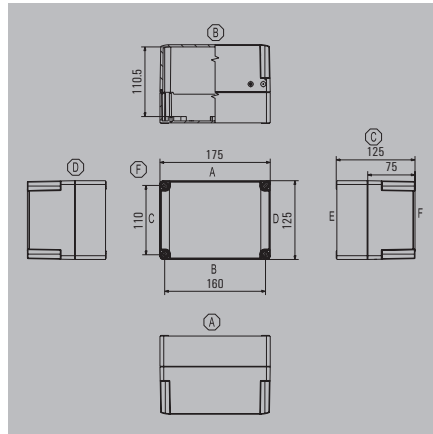
Height / Width / Depth

MPC 12/17/12

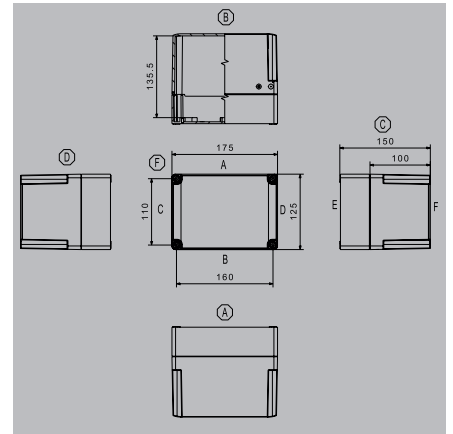
125 mm

MPC 12/17/15

150 mm



125 / 175 / 125 mm



125 / 175 / 150 mm

Technical data

Assembly with terminal

- 2.5 mm<sup>2</sup>
- 4 mm<sup>2</sup>
- 6 mm<sup>2</sup>
- 10 mm<sup>2</sup>
- 16 mm<sup>2</sup>
- 35 mm<sup>2</sup>

Guide value for max. number of cable entries

- M12
- M16
- M20
- M25
- M32
- M40
- M50
- M63
- M75

Note

	vertical	horizontal
	1x13	1x22
	1x11	1x19
	1x8	1x8
	1x6	1x11
	1x5	1x5
	1x4	1x4
	A / B	C / D
	4	6
	3	4
	3	4

	vertical	horizontal
	1x13	1x22
	1x11	1x19
	1x8	1x8
	1x6	1x11
	1x5	1x5
	1x4	1x4
	A / B	C / D
	4	6
	3	4
	3	4

Ordering data

Enclosure with grey lid	
Enclosure with transparent lid	

Note

Type	Qty.	Order No.
MPC 12/17/12 7035	1	9535330000
MPC 12/17/12 TRSP	1	9535340000

Type	Qty.	Order No.
MPC 12/17/15 7035	1	9535350000
MPC 12/17/15 TRSP	1	9535360000

Accessories

Mounting plates and fastening screws

- Steel sheet, zinc plated
- M4 screw

Mounting rails, TS15x5

- Vertical
- Horizontally

Mounting rails, TS35x7.5

- Horizontally
- Vertical

External mounting lug, set of 4

Hinge, set of 2

Earthing stud

- Brass, M6
- Stainless steel 1.4404, M6
- Brass, M10
- Stainless steel 1.4404, M10

Pressure compensation elements

- Polyamide 6, M12
- Stainless steel 1.4305, M12

Note

Type	Qty.	Order No.
MP MPC 12/17	1	9535560000
FKSC M4X6 D8/SW2	100	1567480000
TS15X5 ST MPC1217 VER	20	8000037598
TS35 MPC 1717 VER	20	8000037605
MF MPC	1	9535600000
HG MPC	1	9535590000
PEBZ M6 BR SET	1	1277250000
PEBZ M6 S4 SET	1	1283430000
PEBZ M10 BR SET	1	1277220000
PEBZ M10 S4 SET	1	1283440000
DAE M12 PA LONG	10	1868570000
DAE M12 SS	10	1868550000

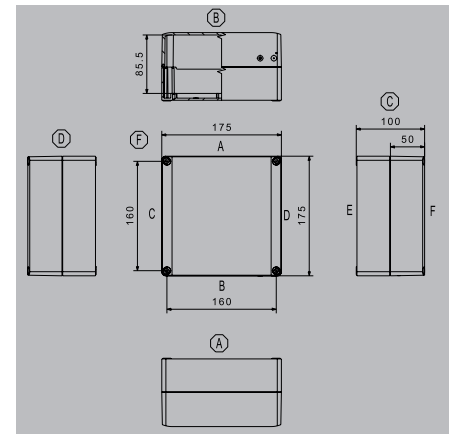
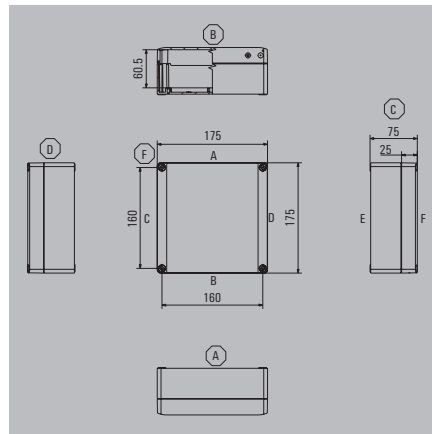
Type	Qty.	Order No.
MP MPC 12/17	1	9535560000
FKSC M4X6 D8/SW2	100	1567480000
SC MPC	100	9535640000
TS15X5 MPC1217 VER	20	8000037598
TS35X7.5 MPC1725 VER	20	8000037600
MF MPC	1	9535600000
HG MPC	1	9535590000
PEBZ M6 BR SET	1	1277250000
PEBZ M6 S4 SET	1	1283430000
PEBZ M10 BR SET	1	1277220000
PEBZ M10 S4 SET	1	1283440000
DAE M12 PA LONG	10	1868570000
DAE M12 SS	10	1868550000

MPC 17/17/07

75 mm

MPC 17/17/10

100 mm



Height / Width / Depth

175 / 175 / 75 mm

175 / 175 / 100 mm

Technical data

Assembly with terminal

- 2.5 mm<sup>2</sup>
- 4 mm<sup>2</sup>
- 6 mm<sup>2</sup>
- 10 mm<sup>2</sup>
- 16 mm<sup>2</sup>
- 35 mm<sup>2</sup>

Guide value for max. number of cable entries

- M12
- M16
- M20
- M25
- M32
- M40
- M50
- M63
- M75

Note

vertical	horizontal
1x22	1x22
1x19	1x19
1x14	1x14
1x11	1x11

A / B	C / D
6	6
4	4
4	

vertical	horizontal
1x22	1x22
1x19	1x19
1x14	1x14
1x11	1x11

A / B	C / D
6	6
4	4
4	

Ordering data

- Enclosure with grey lid
- Enclosure with transparent lid

Note

Type	Qty.	Order No.
MPC 17/17/07 7035	1	9535370000
MPC 17/17/07 TRSP	1	9535380000

Type	Qty.	Order No.
MPC 17/17/10 7035	1	9535390000
MPC 17/17/10 TRSP	1	9535400000

Accessories

Mounting plates and fastening screws

- Steel sheet, zinc plated
- M4 screw

Mounting rails, TS15x5

- Vertical
- Horizontally

Mounting rails, TS35x7.5

- Horizontally
- Vertical

External mounting lug, set of 4

Hinge, set of 2

Earthing stud

- Brass, M6
- Stainless steel 1.4404, M6
- Brass, M10
- Stainless steel 1.4404, M10

Pressure compensation elements

- Polyamide 6, M12
- Stainless steel 1.4305, M12

Note

Type	Qty.	Order No.
MP MPC 17/17	1	9535570000
FKSC M4X6 D8/SW2	100	1567480000

TS 35X105_MPC_12	20	8000037603
TS35 MPC 1717 VER	20	8000037605

MF MPC	1	9535600000
--------	---	------------

HG MPC	1	9535590000
--------	---	------------

PEBZ M6 BR SET	1	1277250000
PEBZ M6 S4 SET	1	1283430000
PEBZ M10 BR SET	1	1277220000
PEBZ M10 S4 SET	1	1283440000

DAE M12 PA LONG	10	1868570000
DAE M12 SS	10	1868550000

Type	Qty.	Order No.
MP MPC 17/17	1	9535570000
FKSC M4X6 D8/SW2	100	1567480000
SC MPC	100	9535640000

TS35X7.5 MPC1725 VER	20	8000037600
----------------------	----	------------

MF MPC	1	9535600000
--------	---	------------

HG MPC	1	9535590000
--------	---	------------

PEBZ M6 BR SET	1	1277250000
PEBZ M6 S4 SET	1	1283430000
PEBZ M10 BR SET	1	1277220000
PEBZ M10 S4 SET	1	1283440000

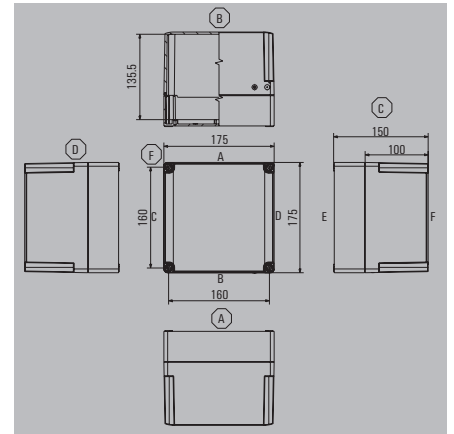
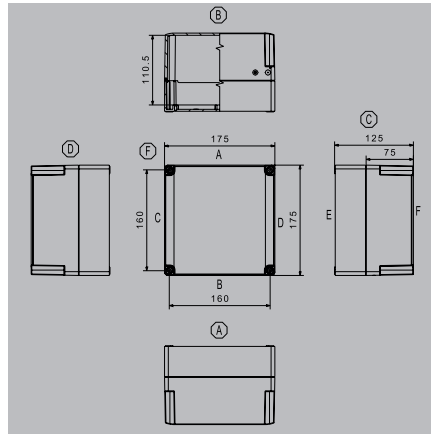
DAE M12 PA LONG	10	1868570000
DAE M12 SS	10	1868550000

MPC 17/17/12

125 mm

MPC 17/17/15

150 mm



Height / Width / Depth

175 / 175 / 125 mm

175 / 175 / 150 mm

Technical data

Assembly with terminal

2.5 mm²  
4 mm²  
6 mm²  
10 mm²  
16 mm²  
35 mm²

Guide value for max. number of cable entries

M12  
M16  
M20  
M25  
M32  
M40  
M50  
M63  
M75

Note

vertical	horizontal
1x22	1x22
1x19	1x19
1x14	1x14
1x11	1x11
1x9	1x9
1x7	1x7
A / B	C / D
6	6
4	4
4	

vertical	horizontal
1x22	1x22
1x19	1x19
1x14	1x14
1x11	1x11
1x9	1x9
1x7	1x7
A / B	C / D
6	6
4	4
4	

Ordering data

Enclosure with grey lid  
Enclosure with transparent lid

Note

Type	Qty.	Order No.
MPC 17/17/12 7035	12	9535410000

Type	Qty.	Order No.
MPC 17/17/15 7035	1	9535430000
MPC 17/17/15 TRSP	4	9535440000

Accessories

Mounting plates and fastening screws

Steel sheet, zinc plated  
M4 screw

Mounting rails, TS15x5

Vertical  
Horizontally

Mounting rails, TS35x7.5

Horizontally  
Vertically

External mounting lug, set of 4

Hinge, set of 2

Earthing stud

Brass, M6  
Stainless steel 1.4404, M6  
Brass, M10  
Stainless steel 1.4404, M10

Pressure compensation elements

Polyamide 6, M12  
Stainless steel 1.4305, M12

Note

Type	Qty.	Order No.
MP MPC 17/17	1	9535570000
FKSC M4X6 D8/SW2	100	1567480000
SC MPC	100	9535640000
TS35X7.5 ST MPC1725 VER	20	8000037600
MF MPC	1	9535600000
HG MPC	1	9535590000
PEBZ M6 BR SET	1	1277250000
PEBZ M6 S4 SET	1	1283430000
PEBZ M10 BR SET	1	1277220000
PEBZ M10 S4 SET	1	1283440000
DAE M12 PA LONG	10	1868570000
DAE M12 SS	10	1868550000

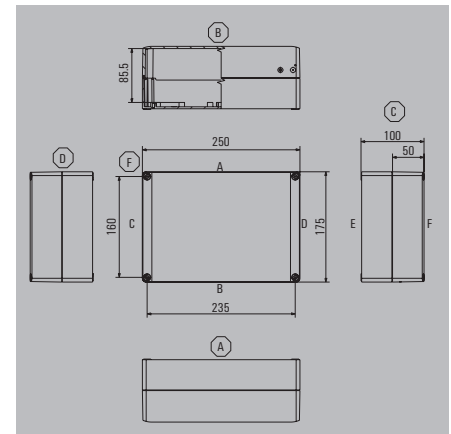
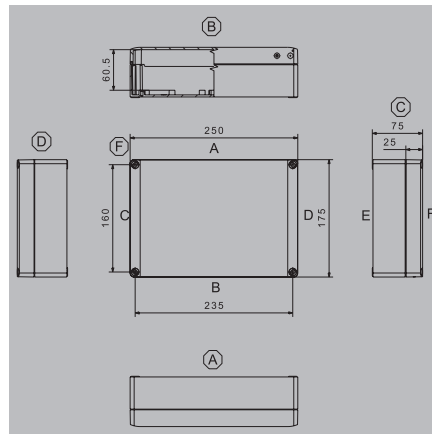
Type	Qty.	Order No.
MP MPC 17/17	1	9535570000
FKSC M4X6 D8/SW2	100	1567480000
TS35X7.5 MPC1725 VER	20	8000037600
MF MPC	1	9535600000
HG MPC	1	9535590000
PEBZ M6 BR SET	1	1277250000
PEBZ M6 S4 SET	1	1283430000
PEBZ M10 BR SET	1	1277220000
PEBZ M10 S4 SET	1	1283440000
DAE M12 PA LONG	10	1868570000
DAE M12 SS	10	1868550000

MPC 17/25/07

75 mm

MPC 17/25/10

100 mm



Height / Width / Depth

175 / 250 / 75 mm

175 / 250 / 100 mm

Technical data

Assembly with terminal

- 2.5 mm<sup>2</sup>
- 4 mm<sup>2</sup>
- 6 mm<sup>2</sup>
- 10 mm<sup>2</sup>
- 16 mm<sup>2</sup>
- 35 mm<sup>2</sup>

Guide value for max. number of cable entries

- M12
- M16
- M20
- M25
- M32
- M40
- M50
- M63
- M75

Note

	vertical	horizontal
	1x37	1x37
	1x31	1x31
	1x23	1x23
	1x19	1x19
	1x15	1x9
	1x11	1x7
A / B	C / D	
6	9	
4	7	
4	6	

	vertical	horizontal
	1x37	1x37
	1x31	1x31
	1x23	1x23
	1x19	1x19
	1x15	1x9
	1x11	1x7
A / B	C / D	
6	9	
4	7	
4	6	

Ordering data

- Enclosure with grey lid
- Enclosure with transparent lid

Note

Type	Qty.	Order No.
MPC 17/25/07 7035	1	9535450000

Type	Qty.	Order No.
MPC 17/25/10 7035	1	9535470000
MPC 17/25/10 TRSP	1	9535480000

Accessories

Mounting plates and fastening screws

- Steel sheet, zinc plated
- M4 screw

Mounting rails, TS15x5

- Vertical
- Horizontally

Mounting rails, TS35x7.5

- Horizontally
- Vertical

External mounting lug, set of 4

Hinge, set of 2

Earthing stud

- Brass, M6
- Stainless steel 1.4404, M6
- Brass, M10
- Stainless steel 1.4404, M10

Pressure compensation elements

- Polyamide 6, M12
- Stainless steel 1.4305, M12

Note

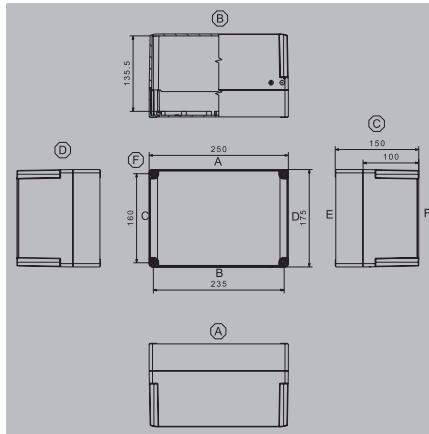
Type	Qty.	Order No.
MP MPC 17/25	1	9535580000
FKSC M4X6 D8/SW2	100	1567480000
TS35X7.5 ST MPC1725 HOR	20	8000037601
TS35X7.5 ST MPC1725 VER	20	8000037600
MF MPC	1	9535600000
HG MPC	1	9535590000
PEBZ M6 BR SET	1	1277250000
PEBZ M6 S4 SET	1	1283430000
PEBZ M10 BR SET	1	1277220000
PEBZ M10 S4 SET	1	1283440000
DAE M12 PA LONG	10	1868570000
DAE M12 SS	10	1868550000

Type	Qty.	Order No.
MP MPC 17/25	1	9535580000
FKSC M4X6 D8/SW2	100	1567480000
TS35X7.5 MPC1725 HOR	20	8000037601
TS35X7.5 MPC1725 VER	20	8000037600
MF MPC	1	9535600000
HG MPC	1	9535590000
PEBZ M6 BR SET	1	1277250000
PEBZ M6 S4 SET	1	1283430000
PEBZ M10 BR SET	1	1277220000
PEBZ M10 S4 SET	1	1283440000
DAE M12 PA LONG	10	1868570000
DAE M12 SS	10	1868550000



MPC 17/25/15

150 mm



Height / Width / Depth

175 / 250 / 150 mm

Technical data

Assembly with terminal

- 2.5 mm<sup>2</sup>
- 4 mm<sup>2</sup>
- 6 mm<sup>2</sup>
- 10 mm<sup>2</sup>
- 16 mm<sup>2</sup>
- 35 mm<sup>2</sup>

Guide value for max. number of cable entries

- M12
- M16
- M20
- M25
- M32
- M40
- M50
- M63
- M75

Note

	vertical	horizontal
	1x37	1x37
	1x31	1x31
	1x23	1x23
	1x19	1x19
	1x15	1x9
	1x11	1x7
A / B	C / D	
6	9	
4	7	
4	6	

Ordering data

- Enclosure with grey lid
- Enclosure with transparent lid

Note

Type	Qty.	Order No.
MPC 17/25/15 7035	1	9535490000
MPC 17/25/15 TRSP	1	9535500000

Accessories

Mounting plates and fastening screws

- Steel sheet, zinc plated
- M4 screw

Mounting rails, TS15x5

- Vertical
- Horizontally

Mounting rails, TS35x7.5

- Horizontally
- Vertical

External mounting lug, set of 4

Hinge, set of 2

Earthing stud

- Brass, M6
- Stainless steel 1.4404, M6
- Brass, M10
- Stainless steel 1.4404, M10

Pressure compensation elements

- Polyamide 6, M12
- Stainless steel 1.4305, M12

Note

Type	Qty.	Order No.
MP MPC 17/25	1	9535580000
FKSC M4X6 D8/SW2	100	1567480000
TS35X7.5 ST MPC1725 HOR	20	8000037601
TS35X7.5 ST MPC1725 VER	20	8000037600
MF MPC	1	9535600000
HG MPC	1	9535590000
PEBZ M6 BR SET	1	1277250000
PEBZ M6 S4 SET	1	1283430000
PEBZ M10 BR SET	1	1277220000
PEBZ M10 S4 SET	1	1283440000
DAE M12 PA LONG	10	1868570000
DAE M12 SS	10	1868550000





# FPC – Medium-sized polycarbonate enclosures

The FPC enclosure range is the next generation of the MPC range. The enclosures have the same technical characteristics and are ideal for enclosing electrical, electro-mechanical and pneumatic devices and PCBs. The enclosures are used in situations where extreme mechanical and chemical conditions exist.

The characteristics of the enclosures are:

- Available in 6 sizes, with grey or transparent lids
- Lid fixing screws equipped with sealing holes
- Fixing holes outside the sealed area
- Thread for fitting to terminal rails, mounting plates and PCBs

Weidmüller manufactures and supplies the enclosures to match customer specifications – fully fitted with terminals, electronics and cable glands.



Use our online catalogue to find additional product details, technical information and additional services:  
[www.weidmueller.com/fpc](http://www.weidmueller.com/fpc)



You can find this product family in our Weidmüller Configurator:  
[www.weidmueller.com/wmc](http://www.weidmueller.com/wmc)

## Overview of enclosures

### Ordering data

Description	Dimensions in mm	Grey lid	Transparent lid
FPC 20/20/13	200 x 200 x 132	9535690000	9535680000
FPC 20/30/13	200 x 300 x 132	9535710000	9535700000
FPC 20/40/13	200 x 400 x 132	9535730000	9535720000
FPC 30/30/13	300 x 300 x 132	9535750000	9535740000
FPC 30/40/13	300 x 400 x 132	9535770000	9535760000
FPC 40/60/13	400 x 600 x 132	9535810000	9535820000

**Note**

### Technical data

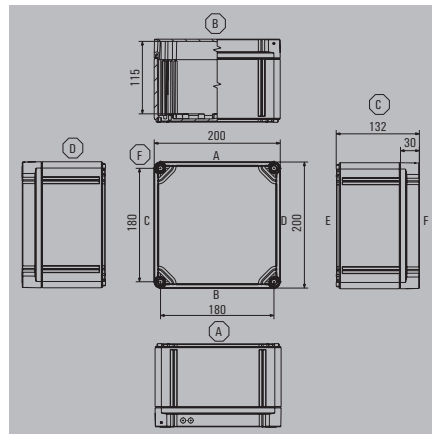
	Grey lid	Transparent lid
Enclosure material	Base and lid made of glass-fibre reinforced polycarbonate	Base made of glass-fibre reinforced polycarbonate, ABS lid
Cover	Grey	Transparent
Surface finish	Grey, similar to RAL 7035	Grey, similar to RAL 7035
IP protection class	IP 66, IP 67	IP 66, IP 67
Installation mounting	Self-tapping screws	Self-tapping screws
Enclosure mounting	4 holes (7.5 mm diameter) or external mounting brackets (optional)	4 holes (7.5 mm diameter) or external mounting brackets (optional)
Lid fixing	4 or 6 cross-head screws (polyamide)	4 or 6 cross-head screws (polyamide)
Gasket material	Polyurethane foam	Polyurethane foam
Temperature range	-50 °C...+100 °C	-40 °C...+60 °C
Impact resistance	IK 08	IK 06

**Note** For details of power dissipation, please contact your Weidmüller representative.



**FPC 20/20/13**

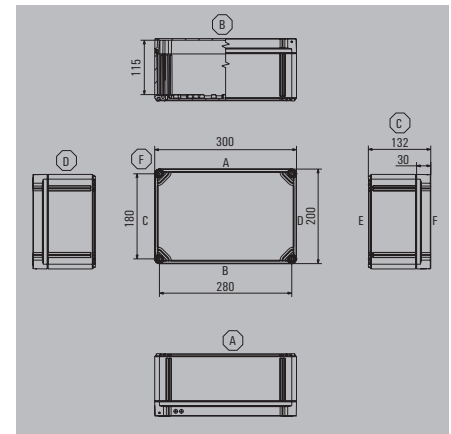
**132 mm**



200 / 200 / 132 mm

**FPC 20/30/13**

**132 mm**



200 / 300 / 132 mm

Height / Width / Depth

**Technical data**

**Assembly with terminal**

- 2.5 mm<sup>2</sup>
- 4 mm<sup>2</sup>
- 6 mm<sup>2</sup>
- 10 mm<sup>2</sup>
- 16 mm<sup>2</sup>
- 35 mm<sup>2</sup>

**Guide value for max. number of cable entries**

- M12
- M16
- M20
- M25
- M32
- M40
- M50
- M63
- M75

**Note**

**Ordering data**

- Enclosure with grey lid
- Enclosure with transparent lid

**Note**

**Accessories**

**Mounting plates and fastening screws**

- Steel sheet, zinc plated
- M4 screw

**Mounting rails, TS15x5**

Vertical

**Mounting rails, TS35x7.5**

- Horizontally
- Vertically

**External mounting lug, set of 4**

**Hinge, set of 2**

**Earthing stud**

- Brass, M6
- Stainless steel 1.4404, M6
- Brass, M10
- Stainless steel 1.4404, M10

**Pressure compensation elements**

- Polyamide 6, M12
- Stainless steel 1.4305, M12

**Note**

	vertical	horizontal
	1x17	1x17
	1x14	1x14
	1x10	1x10
	1x8	1x8
	1x7	1x7
	1x5	1x5
A / B	C / D	
20	20	
11	11	
6	6	
4	4	
2	2	
1	1	
1	1	
1	1	

Type	Qty.	Order No.
FPC 20/20/13 7035	1	9535690000
FPC 20/20/13 TRSP	1	9535680000

Type	Qty.	Order No.
MP FPC 20/20	1	9535920000
FKSC M4X6 D8/SW2	100	1567480000
TS15X5 ST FPC 20 VER	20	8000037604
TS35X7.5 ST FPC 20 HOR	20	8000037557
TS35X7.5 ST FPC 20 VER	20	8000037558
MF FPC	1	9536040000
HG FPC	1	9535990000
PEBZ M6 BR SET	1	1277250000
PEBZ M6 S4 SET	1	1283430000
PEBZ M10 BR SET	1	1277220000
PEBZ M10 S4 SET	1	1283440000
DAE M12 PA LONG	10	1868570000
DAE M12 SS	10	1868550000

	vertical	horizontal
	2x20	1x40
	2x17	1x33
	2x13	2x13
	2x10	1x20
	2x8	1x17
	2x6	1x12
A / B	C / D	
38	20	
21	11	
12	6	
8	4	
3	2	
3	1	
2	1	
2	1	

Type	Qty.	Order No.
FPC 20/30/13 7035	1	9535710000
FPC 20/30/13 TRSP	1	9535700000

Type	Qty.	Order No.
MP FPC 20/30	1	9535930000
FKSC M4X6 D8/SW2	100	1567480000
TS15X5 FPC 20 VER	20	8000037604
TS35X7.5 FPC 30 HOR	20	8000037559
TS35X7.5 FPC 20 VER	20	8000037558
MF FPC	1	9536040000
HG FPC	1	9535990000
PEBZ M6 BR SET	1	1277250000
PEBZ M6 S4 SET	1	1283430000
PEBZ M10 BR SET	1	1277220000
PEBZ M10 S4 SET	1	1283440000
DAE M12 PA LONG	10	1868570000
DAE M12 SS	10	1868550000



Height / Width / Depth

**Technical data**

**Assembly with terminal**

- 2.5 mm<sup>2</sup>
- 4 mm<sup>2</sup>
- 6 mm<sup>2</sup>
- 10 mm<sup>2</sup>
- 16 mm<sup>2</sup>
- 35 mm<sup>2</sup>

**Guide value for max. number of cable entries**

- M12
- M16
- M20
- M25
- M32
- M40
- M50
- M63
- M75

**Note**

**Ordering data**

- Enclosure with grey lid
- Enclosure with transparent lid

**Note**

**Accessories**

**Mounting plates and fastening screws**

- Steel sheet, zinc plated
- M4 screw

**Mounting rails, TS15x5**

Vertical

**Mounting rails, TS35x7.5**

- Horizontally
- Vertical

**External mounting lug, set of 4**

**Hinge, set of 2**

**Earthing stud**

- Brass, M6
- Stainless steel 1.4404, M6
- Brass, M10
- Stainless steel 1.4404, M10

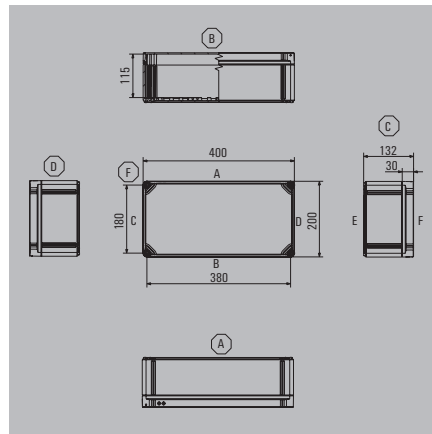
**Pressure compensation elements**

- Polyamide 6, M12
- Stainless steel 1.4305, M12

**Note**

**FPC 20/40/13**

**132 mm**



200 / 400 / 132 mm

	vertical	horizontal
	3x20	1x59
	3x17	1x49
	3x13	3x13
	3x10	1x30
	3x8	1x25
	3x6	1x19
	A / B	C / D
M12	56	20
M16	30	11
M20	18	6
M25	12	4
M32	5	2
M40	4	1
M50	4	1
M63	3	1

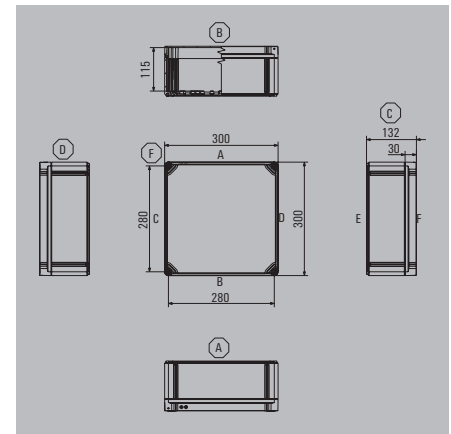
Type	Qty.	Order No.
FPC 20/40/13 7035	1	9535730000
FPC 20/40/13 TRSP	1	9535720000

Type	Qty.	Order No.
MP FPC 20/40	1	9535940000
FKSC M4X6 D8/SW2	100	1567480000
TS15X5 ST FPC 20 VER	20	8000037604
TS35X7.5 ST FPC 40 HOR	20	8000037560
TS35X7.5 ST FPC 20 VER	20	8000037558
MF FPC	1	9536040000
HG FPC	1	9535990000
PEBZ M6 BR SET	1	1277250000
PEBZ M6 S4 SET	1	1283430000
PEBZ M10 BR SET	1	1277220000
PEBZ M10 S4 SET	1	1283440000
DAE M12 PA LONG	10	1868570000
DAE M12 SS	10	1868550000

**Note**

**FPC 30/30/13**

**132 mm**



300 / 300 / 132 mm

	vertical	horizontal
	2x40	1x40
	2x33	1x33
	2x25	2x25
	2x20	1x20
	2x17	1x17
	2x12	1x12
	A / B	C / D
M12	38	38
M16	21	21
M20	12	12
M25	8	8
M32	3	3
M40	3	3
M50	2	2
M63	2	2

Type	Qty.	Order No.
FPC 30/30/13 7035	1	9535750000
FPC 30/30/13 TRSP	1	9535740000

Type	Qty.	Order No.
MP FPC 30/30	1	9535950000
FKSC M4X6 D8/SW2	100	1567480000
TS15X5 FPC 20 VER	20	8000037604
TS35X7.5 FPC 40 HOR	20	8000037560
TS35X7.5 FPC 20 VER	20	8000037558
MF FPC	1	9536040000
HG FPC	1	9535990000
PEBZ M6 BR SET	1	1277250000
PEBZ M6 S4 SET	1	1283430000
PEBZ M10 BR SET	1	1277220000
PEBZ M10 S4 SET	1	1283440000
DAE M12 PA LONG	10	1868570000
DAE M12 SS	10	1868550000

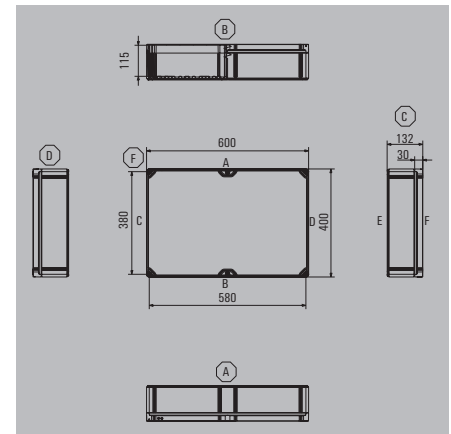
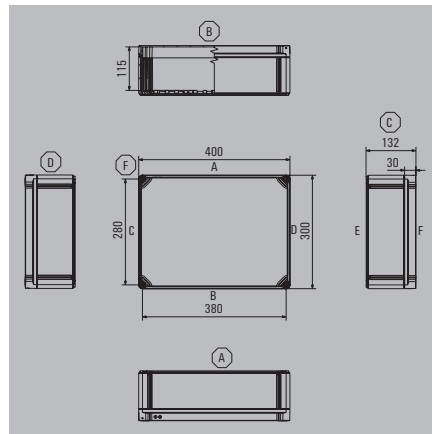
**Note**

**FPC 30/40/13**

**132 mm**

**FPC 40/60/13**

**132 mm**



Height / Width / Depth

300 / 400 / 132 mm

400 / 600 / 132 mm

**Technical data**

**Assembly with terminal**

- 2.5 mm<sup>2</sup>
- 4 mm<sup>2</sup>
- 6 mm<sup>2</sup>
- 10 mm<sup>2</sup>
- 16 mm<sup>2</sup>
- 35 mm<sup>2</sup>

**Guide value for max. number of cable entries**

- M12
- M16
- M20
- M25
- M32
- M40
- M50
- M63
- M75

**Note**

	vertical	horizontal
	3x40	1x59
	3x33	1x49
	3x25	3x25
	3x20	1x30
	3x17	1x25
	3x12	1x19
	A / B	C / D
M12	56	38
M16	30	21
M20	18	12
M25	12	8
M32	5	3
M40	4	3
M50	4	2
M63	3	2

	vertical	horizontal
	5x59	2x97
	5x49	2x81
	5x37	5x37
	5x30	2x49
	5x25	2x41
	5x19	2x31
	A / B	C / D
M12	76	56
M16	42	30
M20	24	18
M25	16	12
M32	6	5
M40	6	4
M50	4	4
M63	4	3

**Ordering data**

- Enclosure with grey lid
- Enclosure with transparent lid

**Note**

Type	Qty.	Order No.
FPC 30/40/13 7035	1	9535770000
FPC 30/40/13 TRSP	1	9535760000

Type	Qty.	Order No.
FPC 40/60/13 7035	1	9535810000
FPC 40/60/13 TRSP	1	9535820000

**Accessories**

**Mounting plates and fastening screws**

- Steel sheet, zinc plated
- M4 screw

**Mounting rails, TS15x5**

- Vertical

**Mounting rails, TS35x7.5**

- Horizontally
- Vertical

**External mounting lug, set of 4**

**Hinge, set of 2**

**Earthing stud**

- Brass, M6
- Stainless steel 1.4404, M6
- Brass, M10
- Stainless steel 1.4404, M10

**Pressure compensation elements**

- Polyamide 6, M12
- Stainless steel 1.4305, M12

**Note**

Type	Qty.	Order No.
MP FPC 30/40	1	9535960000
FKSC M4X6 D8/SW2	100	1567480000
TS35X7.5 ST FPC 40 HOR	20	8000037560
TS35X7.5 ST FPC 30 VER	20	8000037561
MF FPC	1	9536040000
HG FPC	1	9535990000
PEBZ M6 BR SET	1	1277250000
PEBZ M6 S4 SET	1	1283430000
PEBZ M10 BR SET	1	1277220000
PEBZ M10 S4 SET	1	1283440000
DAE M12 PA LONG	10	1868570000
DAE M12 SS	10	1868550000

Type	Qty.	Order No.
MP FPC 40/60	1	9535980000
FKSC M4X6 D8/SW2	100	1567480000
TS35X7.5 FPC 60 HOR	20	8000037563
TS35X7.5 FPC 40 VER	20	8000037562
MF FPC	1	9536040000
HG FPC	1	9535990000
PEBZ M6 BR SET	1	1277250000
PEBZ M6 S4 SET	1	1283430000
PEBZ M10 BR SET	1	1277220000
PEBZ M10 S4 SET	1	1283440000
DAE M12 PA LONG	10	1868570000
DAE M12 SS	10	1868550000



# Cable entries

<b>Cable entries</b>	Introduction	D.2
	Overview	D.4
	Standard cable glands - Plastic	D.6
	Standard cable glands - Brass	D.8
	EMC cable glands	D.11
	Standard cable glands - Stainless steel	D.13
	Standard cable glands	D.15
	Ex-cable glands - Introduction	D.16
	Ex-cable glands	D.18
	Ex-cable glands - Plastic	D.30
	Accessories - Lock nuts	D.34
	Accessories - Flat IP washer	D.40
	Accessories - Earthing rings	D.43
	Accessories - Washers	D.44
	Blanking plugs	D.45
	Ex-Blanking plugs	D.47
	Compensating elements	D.50
	Ex-Compensating elements	D.52
	Adapter	D.53

## Cable entries

Weidmüller offers a variety of add-on components for a multitude of purposes and applications to complement its extensive Klippon® Protect range.

In addition to brass, plastic and stainless steel cable glands, there are also sealing plugs, pressure-equalising elements, adapters and relevant accessories – such as lock nuts, flat gaskets, flat washers and earthing rings – available.

**D** To match the assembled enclosures, the cable glands meet the requirements of IP protection classes IP54 to IP69K. They can be used in standard industrial applications, EMC applications or even in potentially explosive atmospheres as required, and they comply with the approvals required for these purposes.

Ex-certified cable glands also allow for the connection of cables and conductors with different reinforcements with and without lead sheathing, as well as the connection of steel wire and steel tape cables. They can also be used in a temperature range of between -50 °C and +120 °C.

Depending on the cable gland variants and application, the cable glands, sealing plugs, adaptors, pressure-equalising elements and accessories are manufactured and certified according to the following standards:

- IEC/EN 62444 (construction and performance)
- IEC/EN 60529 (IP protection class testing)
- IEC/EN 60079-0 (general Ex requirements)
- IEC/EN 60079-1 (Ex d Ex standard)
- IEC/EN 60079-7 (Ex e Ex standard)
- IEC/EN 60079-11 (Ex i Ex standard)
- IEC/EN 60423 (metric screw thread)
- DIN 40430 (PG and NPT thread)

The range of cable glands, sealing plugs and pressure-equalising elements is available in metric (M) and high-strength (PG) threads in sizes ranging from M12 to M75 and PG7 to PG48. When choosing cable glands and sealing plugs, please refer to the table with the sealing characteristics of the O-rings, flat gaskets and seal inserts. O-rings and flat gaskets are always intended for sealing the connecting thread on an enclosure, for example, while the sealing insert of each cable gland is intended for actually sealing and clamping the connecting cable.



You can find this product family in our Weidmüller Configurator:

[www.weidmueller.com/wmc](http://www.weidmueller.com/wmc)



You should always observe the maximum drill-hole diameter when installing a cable gland, sealing plug, adaptor, or pressure compensation element (e.g. onto the gland plate of an enclosure). These must not exceed the following specified maximum values / tolerances so that the protection degree of the whole enclosure can be guaranteed. Please also refer to the instruction manual; deviating information is possible.

#### Through-hole information

M thread	Through-hole, in mm
M 12	12.2
M 16	16.2
M 20	20.2
M 25	25.2
M 32	32.2
M 40	40.2
M 50	50.2
M 63	63.2
M 75	75.2
PG thread	Through-hole, in mm
PG 7	12.4
PG 9	15.1
PG 11	18.5
PG 13.5	20.4
PG 16	22.5
PG 21	28.3
PG 29	37.4
PG 36	47.2
PG 42	54.2
PG 48	59.5

#### Overview of sealing materials for O-rings, flat gaskets as well as seal inserts

Abbreviation	Material	Trade name	Temperature range	Chemical resistance	Fire resistant	Shore	Free from halogens	UV resistance
TPE	Thermo-plastic elastomer	Santoprene	-40 °C to +130 °C	Hydrocarbons, oils, acids	UL94, HB	64	Yes	very good
CR	Chloroprene rubber	Neoprene	-40 °C to +130 °C	Mineral oils, greases, fuels	very good	40 - 90	No	very good
NBR	Nitrile rubber	Perbunan, Nitrile	-40 °C to +130 °C	Hydrocarbons, oils, acids, aliphatic solvents, greases, fuels	weak	40 - 90	No	good
EPDM	Ethylene-propylene-diene rubber	Keltan	-50 °C to +130 °C	Weather-, grease-, mineral oil-, chlorine- and ozone resistant, hydrocarbons	weak	20 - 90		very good
FPM	Fluoro-rubber	Viton	-25 °C to +200 °C	ozone, oxygen, mineral oils, synthetic hydraulic fluids, fuels, aromatics, many organic solvents and chemicals	weak	65 - 95		good

**Note:** The data refer only to the sealing material, not to the entire component.

#### Abbreviations - technical data

A, L	Length in mm
L1	Length of thread in mm
D	Diameter in mm
S	Thickness in mm
S1, S2	Depth in mm
SW, SW1, SW2	Distance across flats in mm
KB	Clamping range in mm
KB ZE	Clamping range strain relief in mm
Thread	External thread
SUHB	Shroud / Protective cap
DR	Tightening torque in Nm
HM	Cap nut / pressure screw
Qty.	Packing unit in pieces









#### Product designation

VP HEX	Sealing plugs with hexagon head
A2L	Ex Cable gland
A2LC	Ex Cable gland with conduit connection thread
E1W	Ex Cable Gland with double sealing for SWA armoured cable
E1XZ	Ex Cable Gland with double sealing for SWB/STA armoured cable
VG	Cable gland
VP	Sealing plugs
SKMU	Hexagon nut
DAE	Pressure compensation element
BD	Breather drain (compensation element)
SZS	Serrated Star Washers (Serrated washers)
ZE	Strain relief
EMV	Electromagnetic compatibility
EA	Earthing ring
SKS	Spiral kink protection
GWDR	Thread sealing ring or flat gasket




# Glands and accessories

The tables below provide an overview of the Weidmüller cable glands and the recommended accessories.







## Standard cable glands

Material/Type	Approvals			Armouring	Thread sealing rings			Locknuts			
	IP class of protection without seal	IP class of protection with seal	Ex		EMC	CSM GWDR PO	CR GWDR...NP	O-Ring	grey SKMU...K GR	black SKMU...K SW	brass SKMU...MS
<b>Plastic</b>											
 VG ... K68	IP68 / 5 bar								•		
 VG ... K68 SKS	IP68 / 5 bar								•		
<b>Nickel-plated brass</b>											
 VG ... MS68	IP54, IP66, IP68 / 5 bar, IP69k							included		•	
 VGM...MS68...BG	IP68							included		•	
 VG ... EMV-4	IP66, IP68 / 5 bar, IP69k			•				included			•
 VGM...EMC...SET	IP68			•				included			•
<b>Stainless steel</b>											
 VG...SS68	IP54, IP66, IP68 / 5 bar, IP69k							included		•	
 VGM...SS68...BG	IP68							included		•	






## Cable glands HQ

Material/Type	Approvals			Armouring	Thread sealing rings			Locknuts			
	IP class of protection without seal	IP class of protection with seal	Ex		EMC	CSM GWDR PO	CR GWDR...NP	O-Ring	grey SKMU...K GR	black SKMU...K SW	brass SKMU...MS
<b>Nickel-plated brass, Ex</b>											
 VG ... K68 ...	IP65										
<b>Brass Ex</b>											
 VG ... MS68 ...	IP65										
 VG ... EMV68 ...	IP65			•							







## Cable glands Ex

Material/Type	Approvals			Armouring	Thread sealing rings			Locknuts			
	IP class of protection ohne Dichtring	IP class of protection mit Dichtring	Ex		EMV	GWDR...WVM	CR GWDR...NP	O-Ring	grey SKMU...K GR	black SKMU...K SW	brass SKMU...MS
<b>Nickel-plated brass, Ex</b>											
 A2L	IP66, IP68		Ex e/d			optional		included		•	
 A2LC	IP66, IP68		Ex e/d			optional		included		•	
 E1W	IP66, IP68		Ex e/d	•		optional		included		•	
 E1XZ	IP66, IP68		Ex e/d	•		optional		included		•	
<b>Plastic Ex</b>											
 VG...EXL...7J	IP54, IP66, IP68 / 5 bar		Ex e					included		•	
 VG...EXE...7J	IP54, IP66, IP68 / 5 bar		Ex i					included		•	
<b>Note:</b>	* Available on request. Ex - Stainless steel glands on request										

**Adaptor**

Material/Type	Approvals		Ex	Thread sealing rings			Locknuts			
	IP class of protection with seal			GWDR PO	CR GWDR...NP	O-Ring	grey SKMU...KGR	black SKMU...K SW	brass SKMU...MS	MS EMC SKMU EMV...
<b>Plastic</b>										
 DAE M12 PA	IP66, IP68, IP69K									included
 DAE M12 PA long	IP66, IP68, IP69K							•		included
<b>Stainless steel</b>										
 DAE M12 SS	IP66, IP68, IP69K									included
<b>Brass Ex</b>										
 KLIPPON BDx ... B	IP66		•							included
<b>Stainless steel Ex</b>										
 KLIPPON BDx ... S	IP66		•							included

**Stopping plugs**

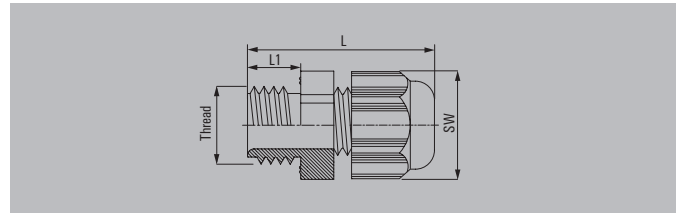
Material/Type	Approvals		Ex	Thread sealing rings			Locknuts			
	IP class of protection without seal			with seal	GWDR PO	CR GWDR...NP	O-Ring	grey SKMU...KGR	black SKMU...K SW	brass SKMU...MS
<b>Plastic</b>										
 VP ... K54	IP54		IP65					•		
<b>Nickel-plated brass</b>										
 VP ... MS65			IP68							included
<b>Stainless steel</b>										
 VPS...			IP66, IP68							Ex e/d
<b>Plastic Ex</b>										
 VP...Ex SW	IP54, IP66		IP66, IP68			optional		•		Ex e
<b>Nickel-plated brass, Ex</b>										
 VP...HEX			IP54, IP66, IP68							Ex e/d
<b>Nickel-plated brass, Ex</b>										
 VP...			IP66, IP68							Ex e/d

## Standard cable glands – Plastic

## Cable glands – Plastic – IP68



Cable gland made of plastic with integrated strain relief for industrial applications where IP67 or IP68 protection is required. Tested and approved according to EN 62444 and UL514B.



## Technical data

Material / Colour	Polyamide 6 / Light Grey / RAL 7035
Seal insert	CR
Temperature range	-40 °C...100 °C
Protection class	IP67, IP68 - 5 bar (30 min.)
Flammability rating	V-2
<b>Note</b>	Version with moulded sealing lip. Length L varies depending on the cable diameter used.

## Ordering data

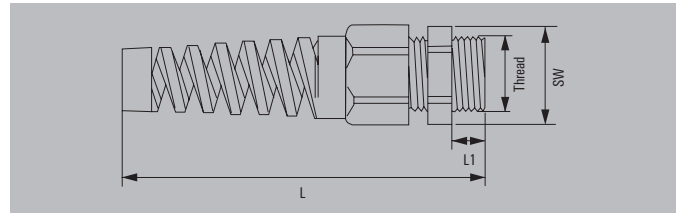
Type	Thread	KB	L/L1	SW	Qty.	Order No.
<b>metric</b>						
VG M12-1/K68	M 12	3-6.5	30.5 / 8	15	100	1772280000
VG M16-1/K68	M 16	4-8	34.5 / 8	19	50	1909860000
VG M16 - K 68	M 16	5-10	40 / 10	22	50	1772290000
VG M20-1/K68	M 20	6-12	39.5 / 10	24	50	1772300000
VG M25-1/K68	M 25	11-17	43 / 8	29	50	1909870000
VG M25 - K 68	M 25	13-18	47 / 10	33	25	1772310000
VG M32-1/K68	M 32	15-21	52 / 10	36	20	1909880000
VG M32 - K 68	M 32	18-25	56 / 15	42	20	1772320000
VG M40-1/K68	M 40	19-28	57 / 10	46	10	1909890000
VG M40 - K 68	M 40	22-32	69.5 / 18	53	10	1772330000
VG M50 - K 68	M 50	30-38	71 / 18	60	10	1772340000
VG M63-1/K68	M 63	34-44	71 / 18	65	10	1772350000
<b>PG</b>						
VG 7-K68	PG 7	3-6.5	30 / 8	15	100	1568970000
VG 9-K68	PG 9	4-8	34.5 / 8	19	50	1568980000
VG 11-K68	PG 11	5-10	37 / 8	22	50	1568990000
VG 13.5-K68	PG 13.5	6-12	39 / 10	24	50	1569000000
VG 16-K68	PG 16	10-14	41 / 10	27	50	1569010000
VG 21-K68	PG 21	13-18	48 / 11	33	25	1569020000
VG 29-K68	PG 29	18-25	52 / 11	42	20	1569030000
VG 36-K68	PG 36	22-32	64.5 / 13	53	10	1569040000
VG 42-K68	PG 42	30-38	66.5 / 13	60	10	1569050000
VG 48-K68	PG 48	34-44	67.5 / 14	65	10	1718770000

**Note** Long-thread version on request, halogen-free without sealing ring.  
Installation specifications and tightening torques can be found in the installation instructions.  
For further information please use our online catalogue: [catalog.weidmueller.com](http://catalog.weidmueller.com).

## Cable glands – Plastic – SKS



Cable gland made of plastic with spiral bending protection and integrated strain relief, specially suited for moving connections. It prevents cables from bending at acute angles.



## Technical data

Material / Colour	Polyamide 6 / Light Grey / RAL 7035
Seal insert	CR
Temperature range	-20 °C...100 °C
Protection class	IP68 - 5 bar (30 min.)
Flammability rating	V-2
<b>Note</b>	Version with moulded sealing lip Length L varies depending on the cable diameter used.

## Ordering data

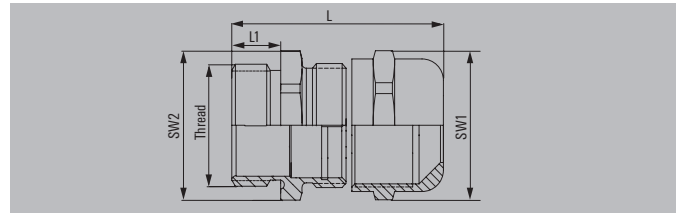
Type	Thread	KB	L/L1	SW	Qty.	Order No.
<b>metric</b>						
VG M12-K68 SKS	M 12	3-6.5	63.5 / 8	15	100	1776700000
VG M16-K68 SKS	M 16	5-10	94.5 / 15	22	50	1776710000
VG M20-K68 SKS 6-12	M 20	6-12	101.5 / 11	24	50	1778860000
VG M20-K68 SKS 10-14	M 20	10-14	116 / 15	27	25	1776720000
VG M25-K68 SKS	M 25	13-18	132.5 / 15	33	25	1776730000
<b>PG</b>						
VG 7-K68 SKS	PG 7	3-6.5	63 / 8	15	50	1720470000
VG 9-K68 SKS	PG 9	4-8	74 / 8	19	50	1720480000
VG 11-K68 SKS	PG 11	5-10	87 / 8	22	100	1720490000
VG 13.5-K68 SKS	PG 13.5	6-12	98 / 9	24	50	1720500000
VG 16-K68 SKS	PG 16	10-14	112 / 10	27	25	1720510000
VG 21-K68 SKS	PG 21	13-18	130 / 11	33	20	1720520000
<b>Note</b>	Long-thread version on request, halogen-free without sealing ring. Installation specifications and tightening torques can be found in the installation instructions. For further information please use our online catalogue: <a href="http://catalog.weidmueller.com">catalog.weidmueller.com</a> .					

## Standard cable glands – Brass

## Cable glands – Brass – IP68



Cable gland made of brass for industrial applications where IP68 or IP69K protection is required.



## Technical data

Material	Brass, nickel-plated
O-ring / Seal insert	NBR / CR
Temperature range	-40 °C...100 °C
Clamp insert	Polyamide
Protection degree with GWDR	IP54, IP66, IP67, IP68 - 5 bar (30 min.), IP69K
<b>Note</b>	Length "L" varies depending on the cable diameter used; IP69K protection applies to all metric cable glands; the following thread sizes are excluded from IP69K: PG29, PG36, PG42 and PG48.

## Ordering data

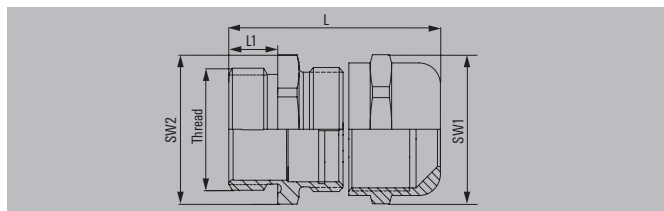
Type	Thread	KB	L/L1	SW1/SW2	Qty.	Order No.
<b>metric</b>						
VG M12 - MS 68	M 12	3-6.5	28 / 6	14 / 14	50	1772200000
VG M16 - MS 68	M 16	4-8	30 / 7	17 / 18	50	1772210000
VG M16-1/MS68	M 16	5-10	35.5 / 7	20 / 20	50	1909910000
VG M20 - MS 68	M 20	6-12	34.5 / 8	22 / 22	50	1772220000
VG M25 - MS 68	M 25	10-14	35.7 / 8	24 / 27	25	1772230000
VG M25-1/MS68	M 25	11-17	40.5 / 8	27 / 27	25	1909920000
VG M32 - MS 68	M 32	13-18	42 / 9	30 / 34	10	1772240000
VG M32-1/MS68	M 32	15-21	44 / 8	34 / 34	10	1909930000
VG M40 - MS 68	M 40	18-25	47 / 9	40 / 43	10	1772250000
VG M40-1/MS68	M 40	19-28	52.5 / 9	43 / 43	10	1909940000
VG M50 - MS 68	M 50	22-32	57 / 9	50 / 55	5	1772260000
VG M50-1/MS68	M 50	27-38	61 / 9	58 / 58	5	1909950000
VG M63 - MS 68	M 63	34-44	67 / 14	64 / 68	5	1772270000
<b>PG (IP69K)</b>						
VG 7-MS68	PG 7	3-6.5	28 / 6	14 / 14	50	1569060000
VG 9-MS68	PG 9	4-8	29.5 / 6	17 / 17	50	1569070000
VG 11-MS68	PG 11	5-10	32 / 6	20 / 20	50	1569080000
VG 13.5-MS68	PG 13.5	6-12	31 / 6.5	22 / 22	50	1569090000
VG 16-MS68	PG 16	10-14	34.5 / 6.5	24 / 24	25	1569100000
VG 21-MS68	PG 21	13-18	39.7 / 7.2	30 / 30	25	1569110000
<b>PG (IP68)</b>						
VG 29-MS68	PG 29	18-25	46.5 / 8	40 / 40	10	1569120000
VG 36-MS68	PG 36	22-32	57 / 9	50 / 50	5	1569130000
VG 42-MS68	PG 42	30-38	60.5 / 12	58 / 58	5	1569140000
VG 48-MS68	PG 48	34-44	69 / 14	64 / 64	5	1718790000

**Note** Long-thread version on request  
VDE for metric version  
Installation specifications and tightening torques can be found in the installation instructions.  
For further information please use our online catalogue: [catalog.weidmueller.com](http://catalog.weidmueller.com).

Cable glands – Brass – IP68



Cable gland made of brass with spherical sealing insert which squeezes the cable gently over a large area. This cable gland is suitable for railway applications; its sealing material conforms to the requirements of EN 45545.



Technical data

Material	Brass, nickel-plated
O-Ring / Seal insert	NBR / T80s
Temperature range	-40 °C ... 130 °C
Protection class	IP68 - 15 bar
<b>Note</b>	

Ordering data

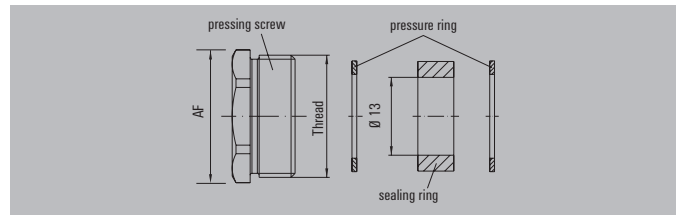
Type	Thread	KB	L/L1	SW	Qty.	Order No.
VGM25-MS68 11-20 BG	M 25	11-20	36.5 / 7.5	30	50	1193600000
VGM32-MS68 15-25 BG	M 32	15-25	40 / 8	36	25	1193610000
VGM40-MS68 20-32 BG	M 40	20-32	43 / 8	45	10	1193620000
VGM40/1-MS68 20-32 BG	M 40	20-32	82 / 8	45	10	1205890000
<b>Note</b>						
When using mounting covers with 3 X M 40 cable input threads, the elongated version must be used for the cable gland in the middle. Installation specifications and tightening torques can be found in the installation instructions. For further information please use our online catalogue: <a href="http://catalog.weidmueller.com">catalog.weidmueller.com</a>						

## Standard cable glands – Brass

## Clamping screws – Brass – IP65



The special cable glands (clamping screws) are designed for use in HDC RockStar® base enclosures. The seal insert used contains several removable or separable inlets.



## Technical data

Clamping screw material	Brass, nickel-plated
Sealing ring material	SBR/NBR
Pressure ring material	Polyamide
Temperature range	-20 °C...60 °C
Protection class	IP65
<b>Note</b>	

## Ordering data

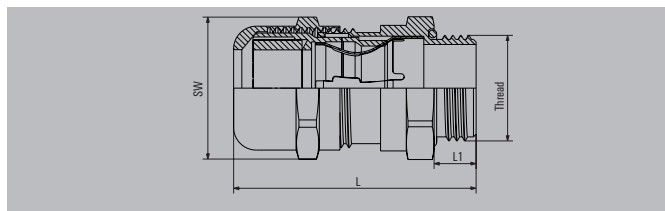
Type	Thread	Inserts in mm	SW	Qty.	Order No.
<b>metric</b>					
VG H M20 MS	M 20	4 / 7 / 10 / 13	20	50	1921720000
VG H M25 MS	M 25	8.5 / 11.5 / 14.5 / 18	25	25	1921740000
VG H M32 MS	M 32	16 / 19 / 22 / 25	32	20	1921760000
VG H M40 MS	M 40	23 / 26 / 29 / 32	40	10	1921770000
<b>PG</b>					
KV 11-M	PG 11	7.5 / 10 / 12.5	18	10	1656390000
KV 13-M	PG 13	7.5 / 10 / 12.5	20	10	1656400000
KV 16-M	PG 16	7.5 / 10 / 12.5 / 15	22	10	1656410000
KV 21-M	PG 21	10 / 13 / 16 / 19	28	10	1656420000
KV 29-M	PG 29	18 / 21 / 24 / 27	37	10	1656430000
<b>Note</b>					



## Cable glands – Brass – EMC-4



Cable gland made of brass with EMC contact system for the particularly time-saving installation of shielded cables. It is characterised by the following features: very low installation effort, vibration-resistant and patented active contact system.



## Technical data

Material	Brass, nickel-plated
O-Ring / Seal insert	NBR / CR
Temperature range	-40 °C...100 °C
Protection class	IP66, IP68 - 5 bar (30 min.), IP69K
Clamp insert	Polyamide
<b>Note</b>	

## Ordering data

Type	Thread	KB	Shield Ø	L/L1	SW	Qty.	Order No.
VG M12 EMV-4 MS 3-6.5	M 12	3-6.5	2.00-5.00	34 / 6	14	50	2435070000
VG M16 EMV-4 MS 5-10	M 16	5-10	3.50-8.00	39 / 6	20	50	2435140000
VG M20 EMV-4 MS 6-12	M 20	6-12	4.50-10.00	38 / 6	22	50	2435150000
VG M20 EMV-4 MS 8-14	M 20	7.5-14	5.50-11.50	48 / 8	24	50	2435160000
VG M25 EMV-4 MS 10-18	M 25	10-18	7.00-14.00	51 / 8	30	25	2435170000
VG M32 EMV-4 MS 16-25	M 32	16-25	12.00-20.00	62 / 9	40	10	2435180000
VG M40 EMV-4 MS 22-32	M 40	22-32	18.00-27.00	69.5 / 9	50	5	2435190000
VG M50 EMV-4 MS 30-38	M 50	30-38	26.00-34.00	62 / 9	58	5	2435200000
VG M63 EMV-4 MS 34-44	M 63	34-44	30.00-40.00	73 / 14	68	5	2435210000

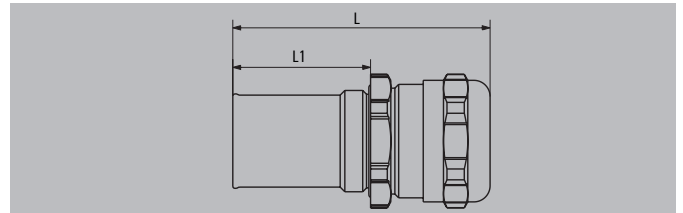
**Note** Installation specifications and tightening torques can be found in the installation instructions.  
For further information please use our online catalogue: [catalog.weidmueller.com](http://catalog.weidmueller.com).

## EMC cable glands

## Cable glands – Brass – EMC SET



Cable gland made of brass for internal shield connection or potential equalisation; easy-to-use, permanent, secure shield connection. This cable gland is suitable for railway applications; its sealing material meets the requirements of EN 45545.



## Technical data

Material	Brass, nickel-plated
O-Ring / Seal insert	NBR / T80s
Temperature range	-40 °C ... 130 °C
Protection class	IP68 - 15 bar

## Note

## Ordering data

Type	Thread	KB	L/L1	SW	Qty.	Order No.
VGM25-MS68 EMC 11-20SET	M 25	11-20	63.5 / 34	30	1	1463720000
VGM32-MS68 EMC 15-25SET	M 32	15-25	66.5 / 34	36	1	1463730000

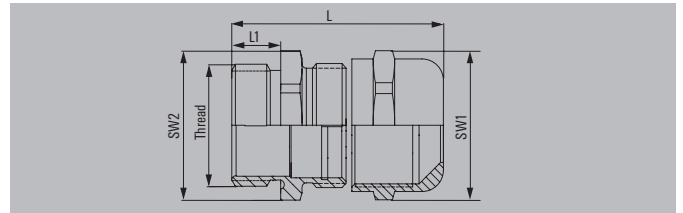
## Note

Installation specifications and tightening torques can be found in the installation instructions.  
For further information please use our online catalogue: [catalog.weidmueller.com](http://catalog.weidmueller.com).

## Cable glands – Stainless steel – IP68



Cable gland made of stainless steel for standard industrial applications that require a high degree of protection (IP68 or IP69K). These cable glands – with their resistance to impact and sea water – are also suitable for use in applications under extreme environmental conditions.



## Technical data

Material	Stainless steel 1.4305 (303)
O-Ring / Seal insert	NBR / CR
Temperature range	-40 °C...100 °C
Protection class	IP54, IP66, IP67, IP68 - 5 bar (30 min.), IP69K
<b>Note</b>	

## Ordering data

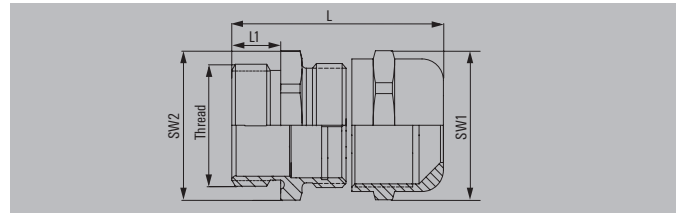
Type	Thread	KB	L/L1	SW1/SW2	Qty.	Order No.
<b>metric</b>						
VGM12-SS 68 KB 3-6.5	M 12	3-6.5	28 / 6	14 / 14	50	1009840000
VGM16-SS 68 KB 4-8	M 16	4-8	30 / 7	17 / 19	50	1009850000
VGM20-SS 68 KB 6-12	M 20	6-12	32 / 8	22 / 22	50	1009860000
VGM25-SS 68 KB 10-14	M 25	10-14	35.5 / 8	24 / 27	25	1009870000
VGM32-SS 68 KB 13-18	M 32	13-18	41.5 / 9	30 / 36	20	1009880000
VGM40-SS 68 KB 18-25	M 40	18-25	49.6 / 9	41 / 46	20	1009890000
VGM50-SS 68 KB 22-32	M 50	22-32	55 / 9	50 / 55	5	1009900000
VGM63-SS 68 KB 34-44	M 63	34-44	67 / 14	65 / 70	5	1009910000
<b>PG</b>						
VG 7-SS 68 KB 3-6.5	PG 7	3-6.5	28 / 6	14 / 14	50	1009740000
VG 9-SS 68 KB 4-8	PG 9	4-8	29 / 6	17 / 17	50	1009750000
VG 11-SS 68 KB 5-10	PG 11	5-10	31.5 / 6	22 / 22	50	1009760000
VG 16-SS 68 KB 10-14	PG 16	10-14	34 / 6.5	24 / 24	25	1009780000
VG 21-SS 68 KB 13-18	PG 21	13-18	39.7 / 7.2	30 / 30	25	1009790000
VG 29-SS 68 KB 18-25	PG 29	18-25	46.5 / 8	41 / 41	20	1009800000
VG 36-SS 68 KB 22-32	PG 36	22-32	55 / 9	50 / 50	15	1009810000
<b>Note</b>	1.4404 (316L) on request. Installation specifications and tightening torques can be found in the installation instructions. For further information please use our online catalogue: <a href="http://catalog.weidmueller.com">catalog.weidmueller.com</a> .					

## Standard cable glands – Stainless steel

## Cable gland – Stainless steel – IP68



Cable gland with spherical seal insert that squeezes the cable gently over a large area. This cable gland is suitable for railway applications; its sealing material meets the requirements of EN 45545.



## D

### Technical data

Material	Stainless steel 1.4305 (303)
O-Ring / Seal insert	Silicone / T80s
Temperature range	-40 °C ... 130 °C
Protection class	IP68 - 15 bar

#### Note

### Ordering data

Type	Thread	KB	L/L1	SW	Qty.	Order No.
VGM25-SS68 11-20 BG	M 25	11-20	36.5 / 7.5	30	50	1193570000
VGM32-SS68 15-25 BG	M 32	15-25	40 / 8	36	25	1193580000
VGM40-SS68 20-32 BG	M 40	20-32	43 / 8	45	10	1193590000
VGM40/1-SS68 20-32 BG	M 40	20-32	82 / 8	45	10	1205920000

#### Note

When using mounting covers with 3 X M 40 cable input threads, the elongated version must be used for the cable gland in the middle.  
Installation specifications and tightening torques can be found in the installation instructions.  
For further information please use our online catalogue: [catalog.weidmueller.com](http://catalog.weidmueller.com)

## HQ cable glands



Cable gland especially for heavy-duty connectors of the HQ series, available in plastic, brass and as brass EMC version.

### Technical data

Material	Polycarbonate
Seal insert	TPE
Temperature range	-20 °C ... 100 °C
Protection class	IP68
<b>Note</b>	

### Ordering data

Type	Thread	KB	SW	Qty.	Order No.
<b>Plastic</b>					
VG 16 HQ K68 4-6.5	PG 16	4-6.5	27	1	2715990000
VG 16 HQ K68 6.5-9.5	PG 16	6.5-9.5	27	1	1273890000
VG 16 HQ K68 9-13	PG 16	9-13	27	1	1016070000
VG 16 HQ K68 11.5-15.5	PG 16	11.5-15.5	27	1	1016080000
<b>brass</b>					
VG 21 HQ MS68 9-13	PG 21	9-13	30	1	1016090000
VG 21 HQ MS68 11.5-15.5	PG 21	11.5-15.5	30	1	1016100000
VG 21 HQ MS68 14-18	PG 21	14-18	30	1	1016110000
<b>EMC</b>					
VG 21 HQ EMV68 11-15.5	PG 21	11-15.5	30	1	1016120000
VG 21 HQ EMV68 14-18	PG 21	14-18	30	1	1016130000
<b>only for angled HQ base enclosure (order number 1003110000)</b>					
VG16 HQ K68 9-12SH	PG 16	9-12	30	50	1045530000
VG16 HQ K68 11.5-15.5SH	PG 16	11.5-15.5	30	1	1045540000
<b>Note</b>	Installation specifications and tightening torques can be found in the installation instructions. For further information please use our online catalogue: <a href="http://catalog.weidmueller.com">catalog.weidmueller.com</a> .				

# Overview: Ex-cable glands

## ATEX / IECEx certified cable glands

Cable Gland Type	Outer seal	Inner seal	Armouring	Certification	IP Rating	Page No.
A2L	YES	NO	None	Ex d / Ex e	IP66, IP68	D.18
A2LC	YES	NO	None	Ex d / Ex e	IP66, IP68	D.24
E1W	YES	YES	Single wire	Ex d / Ex e	IP66, IP68	D.20
E1XZ	YES	YES	Braiding / foil	Ex d / Ex e	IP66, IP68	D.22

## D

## General

### Health & Safety

When Weidmüller cable glands and the accessories are used and installed as prescribed within the data sheet provided, they will not cause any danger or hazard to the health or safety of persons, animals or property. The products should be installed by suitably trained/skilled personnel and in full accordance with the relevant legislative regulations and the accepted code of practice for the industry concerned.

### Warning

Weidmüller cable glands and accessories should not be used within any application other than those specified for each product, unless Weidmüller issue a statement in writing that the product is suitable for the specified application. For further information on each product, we refer you to the specific Assembly Instructions and General Arrangement drawings, which are available on request. Weidmüller takes no responsibility for any damage, injury or other consequential loss caused where the glands are not installed or used according to our Assembly Instructions.

### Installation in hazardous area applications

If cable glands and accessories are installed in hazardous area applications, international and national standards of the Explosion Protection have to be considered.

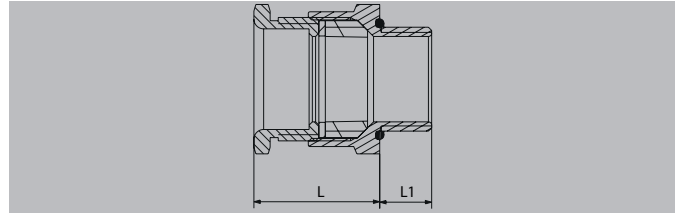


## Ex-cable glands

## Ex-cable glands – Nickel-plated Brass – Ex e, Ex d, IP68 for non-armoured cables



Type A2L cable glands are suitable for non-armoured cables and are approved for flameproof Ex d and Ex e explosion protection with increased safety.



## Technical data

Material	Brass, nickel-plated
O-Ring / Seal insert	Silicone / Silicone
Operating temperature	-50 °C...120 °C
Protection class	IP66, IP68
Identification	II 2G 1D, Ex db IIC Gb, Ex eb IIC Gb, Ex ta IIIC Da
Certificate no. (ATEX / IECEx / CCC / EAC)	TÜV IT 16ATEX 059X / IECEx TPS 16.0004X / 2020322313000069 / RU C-DE.HB07.B.00130/20
<b>Note</b>	Length "L" depends on the cable diameter used. Cable glands made of brass with natural surface are available in the online catalogue (catalog.weidmueller.com).

## Ordering data

Type	Thread	D1 outer cable Ø	L/L1	SW	Qty.	Order No.
<b>metric</b>						
A2L/16/M16-WM	M 16 x 1.5	4.5-8.7	51.8 / 16	24	24	1186880000
A2L/20/M20-WM	M 20 x 1.5	10-14	51.8 / 16	28	24	1186900000
A2L/20S/M20-WM	M 20 x 1.5	8-11.7	51.8 / 16	26	24	1186890000
A2L/25/M25-WM	M 25 x 1.5	13.5-20	53.8 / 16	36	12	1186910000
A2L/32/M32-WM	M 32 x 1.5	19.5-26.3	54.8 / 16	42	12	1186920000
A2L/40/M40-WM	M 40 x 1.5	25.5-32.2	56.8 / 16	50	9	1186930000
A2L/50/M50-WM	M 50 x 1.5	37.5-44.1	58.3 / 16	65	6	1186950000
A2L/50S/M50-WM	M 50 x 1.5	31.5-38.2	59.3 / 16	60	6	1186940000
A2L/63/M63-WM	M 63 x 1.5	49.5-56	61.8 / 19	80	4	1186980000
A2L/63S/M63-WM	M 63 x 1.5	43.5-50.1	62.8 / 19	75	4	1186970000
<b>inch NPT</b>						
A2L/16/NPT1/2-WM	1/2" NPT	4.5-8.7	51.8 / 13.6	24	24	1186990000
A2L/16/NPT3/4-WM	3/4" NPT	4.5-8.7	51.8 / 13.9	24	24	1187100000
A2L/20/NPT1/2-WM	1/2" NPT	10-14	51.8 / 13.6	28	24	1187010000
A2L/20/NPT3/4-WM	3/4" NPT	10-14	51.8 / 13.9	28	24	1187120000
A2L/20S/NPT1/2-WM	1/2" NPT	8-11.7	51.8 / 13.6	26	24	1187000000
A2L/20S/NPT3/4-WM	3/4" NPT	8-11.7	51.8 / 13.9	26	24	1187110000
A2L/25/NPT3/4-WM	3/4" NPT	13.5-20	53.8 / 13.9	36	12	1187020000
A2L/25/NPT1-WM	1" NPT	13.5-20	53.8 / 17.3	36	12	1187130000
A2L/32/NPT1-WM	1" NPT	19.5-26.3	54.8 / 17.3	42	12	1187030000
A2L/32/NPT1-1/4-WM	1 1/4" NPT	19.5-26.3	54.8 / 18	42	12	1187140000
A2L/40/NPT1-1/2-WM	1 1/2" NPT	25.5-32.2	56.8 / 18.4	50	9	1187150000
A2L/40/NPT1-1/4-WM	1 1/4" NPT	25.5-32.2	56.8 / 18	50	9	1187040000
A2L/50S/NPT1-1/2-WM	1 1/2" NPT	31.5-38.2	59.3 / 18.4	60	6	1187050000
A2L/50/NPT2-WM	2" NPT	37.5-44.1	58.3 / 19.2	65	6	1187070000
A2L/50S/NPT2-WM	2" NPT	31.5-38.2	59.3 / 19.2	60	6	1187160000
A2L/63S/NPT2-WM	2" NPT	43.5-50.1	62.8 / 19.2	75	4	1187080000
A2L/63/NPT2-1/2-WM	2 1/2" NPT	49.5-56	61.8 / 28.9	80	4	1187090000
A2L/63S/NPT2-1/2-WM	2 1/2" NPT	43.5-50.1	62.8 / 28.9	75	4	1187170000

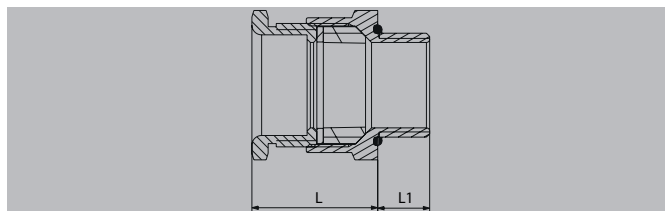
- Note**
- All cable glands have a thread pitch of 1.5 mm.
  - In the case of Ex d applications, the inner threads used for cable glands must meet the requirements of section 5.3 of EN/IEC 60079-1. In the screwed in position, at least 5 threads must be engaged.
  - If the cable glands are installed in non-metallic Ex e connection equipment, these must be connected to the protective earth of the system.
  - The connection cable must be laid securely and inflexibly to rule out tensile stress.
  - Installation specifications and tightening torques can be found in the installation instructions. For further information please use our online catalogue: catalog.weidmueller.com.



## Ex-cable glands – Stainless steel – Ex e, Ex d, IP68 for non-armoured cables



Type A2LS cable glands are suitable for non-armoured cables and are approved for flameproof Ex d and Ex e explosion protection with increased safety.



## Technical data

Material	Stainless steel 1.4404
O-Ring / Seal insert	Silicone /
Operating temperature	-50 °C...120 °C
Protection class	IP66, IP68
Identification	II 2G 1D, Ex db IIC Gb, Ex eb IIC Gb, Ex ta IIIC Da
Certificate no. (ATEX / IECEx / CCC / EAC)	TÜV IT 16ATEX 059X / IECEx TPS 16.0004X / 2020322313000069 / RU C-DE.HB07.B.00130/20
<b>Note</b>	Length "L" depends on the cable diameter used.

## Ordering data

Type	Thread	D1 outer cable Ø	L/L1	SW	Qty.	Order No.
<b>metric</b>						
A2LS/16/M16-WM	M 16 x 1.5	4.5-8.7	51.8 / 13.6	24	24	1185280000
A2LS/20/M20-WM	M 20 x 1.5	10-14	51.8 / 16	28	24	1185300000
A2LS/20S/M20-WM	M 20 x 1.5	8-11.7	51.8 / 16	26	24	1185290000
A2LS/25/M25-WM	M 25 x 1.5	13.5-20	53.8 / 16	36	12	1185310000
A2LS/32/M32-WM	M 32 x 1.5	19.5-26.3	54.8 / 16	42	12	1185320000
A2LS/40/M40-WM	M 40 x 1.5	25.5-32.2	56.8 / 16	50	9	1185330000
A2LS/50/M50-WM	M 50 x 1.5	37.5-44.1	58.3 / 16	65	6	1185350000
A2LS/50S/M50-WM	M 50 x 1.5	31.5-38.2	59.3 / 16	60	6	1185340000
A2LS/63/M63-WM	M 63 x 1.5	49.5-56	61.8 / 19	80	4	1185380000
A2LS/63S/M63-WM	M 63 x 1.5	43.5-50.1	62.8 / 19	75	4	1185370000
<b>inch NPT</b>						
A2LS/16/NPT1/2-WM	1/2" NPT	4.5-8.7	51.8 / 13.6	24	24	1185390000
A2LS/16/NPT3/4-WM	3/4" NPT	4.5-8.7	51.8 / 13.9	24	24	1185500000
A2LS/20/NPT1/2-WM	1/2" NPT	10-14	51.8 / 13.6	28	24	1185410000
A2LS/20/NPT3/4-WM	3/4" NPT	10-14	51.8 / 13.9	28	24	1185520000
A2LS/20S/NPT1/2-WM	1/2" NPT	8-11.7	51.8 / 13.6	26	24	1185400000
A2LS/20S/NPT3/4-WM	3/4" NPT	8-11.7	51.8 / 13.9	26	24	1185510000
A2LS/25/NPT3/4-WM	3/4" NPT	13.5-20	53.8 / 13.9	36	12	1185420000
A2LS/25/NPT1-WM	1" NPT	13.5-20	53.8 / 17.3	36	12	1185530000
A2LS/32/NPT1-WM	1" NPT	19.5-26.3	54.8 / 17.3	42	12	1185430000
A2LS/32/NPT1-1/4-WM	1 1/4" NPT	19.5-26.3	54.8 / 18	42	12	1185540000
A2LS/40/NPT1-1/4-WM	1 1/4" NPT	25.5-32.2	56.8 / 18	50	9	1185440000
A2LS/40/NPT1-1/2-WM	1 1/2" NPT	25.5-32.2	56.8 / 18.4	50	9	1185550000
A2LS/50S/NPT1-1/2-WM	1 1/2" NPT	31.5-38.2	59.3 / 18.4	60	6	1185450000
A2LS/50/NPT2-WM	2" NPT	37.5-44.1	58.3 / 19.2	65	6	1185470000
A2LS/50S/NPT2-WM	2" NPT	31.5-38.2	59.3 / 19.2	60	6	1185570000
A2LS/63S/NPT2-WM	2" NPT	43.5-50.1	62.8 / 19.2	75	4	1185480000
A2LS/63/NPT2-1/2-WM	2 1/2" NPT	49.5-56	61.8 / 28.9	80	4	1185490000
A2LS/63S/NPT2-1/2-WM	2 1/2" NPT	43.5-50.1	62.8 / 28.9	75	4	1185580000

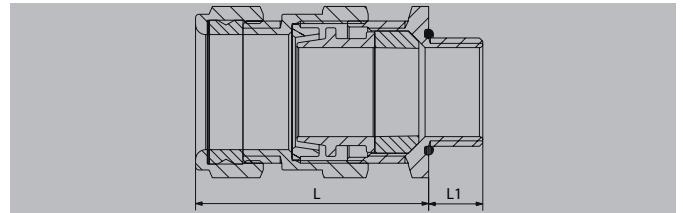
- Note**
- All cable glands have a thread pitch of 1.5 mm.
  - In the case of Ex d applications, the inner threads used for cable glands must meet the requirements of section 5.3 of EN/IEC 60079-1. In the screwed in position, at least 5 threads must be engaged.
  - If the cable glands are installed in non-metallic Ex e connection equipment, these must be connected to the protective earth of the system.
  - The connection cable must be laid securely and inflexibly to rule out tensile stress.
  - Installation specifications and tightening torques can be found in the installation instructions. For further information please use our online catalogue: [catalog.weidmueller.com](http://catalog.weidmueller.com).

## Ex-cable glands

## Ex-cable glands – Nickel-plated Brass – Ex e, Ex d, IP66 / IP68 for cables with single wire armouring - SWA



Type E1W cable glands are suitable for SWA steel wire armouring cables, type E1W glands receive flameproof Ex d and increased safety Ex e explosion protection. And the armouring provides an electrical connection between the cable armouring and the glands.



## Technical data

Material	Brass, nickel-plated
Seal insert	Silicone
Operating temperature	-50 °C...120 °C
Protection class	IP66, IP68
Type of armouring	Single-wire armouring
Identification	II 2G 1D, Ex db IIC Gb, Ex eb IIC Gb, Ex ta IIIC Da
Certificate no. (ATEX / IECEx / CCC / EAC)	TÜV IT 16ATEX 059X / IECEx TPS 16.0004X / 2020322313000069 / RU C-DE.HB07.B.00130/20
<b>Note</b>	Length "L" depends on the cable diameter used.

## Ordering data

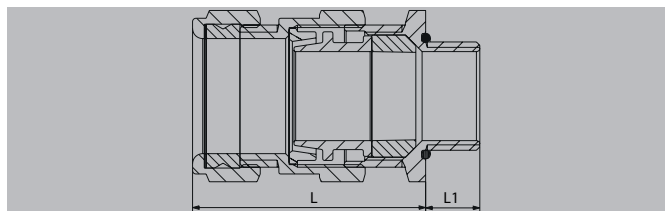
Type	Thread	D1 outer cable Ø	D2 inner cable Ø	Cable armour	L/L1	SW	Qty.	Order No.
<b>metric</b>								
E1W/16/M16-WM	M 16 x 1.5	8-13.5	4.50-8.70	0.9-0.9	78 / 16	24	24	1184650000
E1W/20/M20-WM	M 20 x 1.5	15-21	10.00-14.00	0.9-1.25	78.5 / 16	30	24	1184680000
E1W/20S/M20-WM	M 20 x 1.5	12.5-16	8.00-11.70	0.9-1.25	78.5 / 16	26	24	1184670000
E1W/25/M25-WM	M 25 x 1.5	20-27.5	13.50-20.00	1.25-1.6	80 / 16	38	12	1184690000
E1W/32/M32-WM	M 32 x 1.5	26-34	19.50-26.30	1.6-2	83 / 16	46	12	1184700000
E1W/40/M40-WM	M 40 x 1.5	30.5-40.5	25.50-32.20	1.6-2	93.5 / 16	55	4	1184710000
E1W/50/M50-WM	M 50 x 1.5	45.5-53	37.50-44.10	2-2.5	92.5 / 16	65	4	1184730000
E1W/50S/M50-WM	M 50 x 1.5	38.5-46.5	31.50-38.20	2-2.5	93.5 / 16	60	4	1184720000
E1W/63/M63-WM	M 63 x 1.5	58-66	49.50-56.00	2.5-2.5	96.5 / 19	80	4	1184750000
E1W/63S/M63-WM	M 63 x 1.5	51.5-59.5	43.50-50.10	2.5-2.5	97.5 / 19	75	4	1184740000
<b>inch NPT</b>								
E1W/16/NPT1/2-WM	1/2" NPT	8-13.5	4.50-8.70	0.9-0.9	78 / 13.6	24	24	1184770000
E1W/16/NPT3/4-WM	3/4" NPT	8-13.5	4.50-8.70	0.9-0.9	78 / 13.9	24	24	1184880000
E1W/20/NPT1/2-WM	1/2" NPT	15-21	10.00-14.00	0.9-1.25	78.5 / 13.6	30	24	1184790000
E1W/20/NPT3/4-WM	3/4" NPT	15-21	10.00-14.00	0.9-1.25	78.5 / 13.9	30	24	1184900000
E1W/20S/NPT1/2-WM	1/2" NPT	12.5-16	8.00-11.70	0.9-1.25	78.5 / 13.6	26	24	1184780000
E1W/20S/NPT3/4-WM	3/4" NPT	12.5-16	8.00-11.70	0.9-1.25	78.5 / 13.9	26	24	1184890000
E1W/25/NPT3/4-WM	3/4" NPT	20-27.5	13.50-20.00	1.25-1.6	80 / 13.9	38	12	1184800000
E1W/25/NPT1-WM	1" NPT	20-27.5	13.50-20.00	1.25-1.6	80 / 17.3	38	12	1184910000
E1W/32/NPT1-WM	1" NPT	26-34	19.50-26.30	1.6-2	83 / 17.3	46	12	1184810000
E1W/32/NPT1-1/4-WM	1 1/4" NPT	26-34	19.50-26.30	1.6-2	83 / 18	46	12	1184920000
E1W/40/NPT1-1/4-WM	1 1/4" NPT	30.5-40.5	25.50-32.20	1.6-2	93.5 / 18	55	4	1184820000
E1W/40/NPT1-1/2-WM	1 1/2" NPT	30.5-40.5	25.50-32.20	1.6-2	93.5 / 18.4	55	4	1184930000
E1W/50S/NPT1-1/2-WM	1 1/2" NPT	38.5-46.5	31.50-38.20	2-2.5	93.5 / 18.4	60	4	1184830000
E1W/50/NPT2-WM	2" NPT	45.5-53	37.50-44.10	2-2.5	92.5 / 19.2	65	4	1184840000
E1W/50S/NPT2-WM	2" NPT	38.5-46.5	31.50-38.20	2-2.5	93.5 / 19.2	60	4	1184940000
E1W/63S/NPT2-WM	2" NPT	51.5-59.5	43.50-50.10	2.5-2.5	97.5 / 19.2	75	4	1184850000
E1W/63/NPT2-1/2-WM	2 1/2" NPT	58-66	49.50-56.00	2.5-2.5	96.5 / 28.9	80	4	1184870000
E1W/63S/NPT2-1/2-WM	2 1/2" NPT	51.5-59.5	43.50-50.10	2.5-2.5	97.5 / 28.9	75	4	1184950000

- Note**
- All cable glands have a thread pitch of 1.5 mm.
  - In the case of Ex d applications, the inner threads used for cable glands must meet the requirements of section 5.3 of EN/IEC 60079-1. In the screwed in position, at least 5 threads must be engaged.
  - If the cable glands are installed in non-metallic Ex e connection equipment, these must be connected to the protective earth of the system.
  - The connection cable must be laid securely and inflexibly to rule out tensile stress.
  - Installation specifications and tightening torques can be found in the installation instructions. For further information please use our online catalogue: [catalog.weidmueller.com](http://catalog.weidmueller.com).

## Ex-cable glands – Stainless steel – Ex e, Ex d, IP66 / IP68 for cables with single wire armouring - SWA



Type E1WS cable glands are suitable for SWA steel wire armouring cables, type E1W glands receive flameproof Ex d and increased safety Ex e explosion protection. And the armouring provides an electrical connection between the cable armouring and the glands.



## Technical data

Material	Stainless steel 1.4404
Seal insert	Silicone
Operating temperature	-50 °C...120 °C
Protection class	IP66, IP68
Type of armouring	Single-wire armouring
Identification	II 2G 1D, Ex db IIC Gb, Ex eb IIC Gb, Ex ta IIIC Da
Certificate no. (ATEX / IECEx / CCC / EAC)	TÜV IT 16ATEX 059X / IECEx TPS 16.0004X / 2020322313000069 / RU C-DE.HB07.B.00130/20
<b>Note</b>	Length "L" depends on the cable diameter used.

## Ordering data

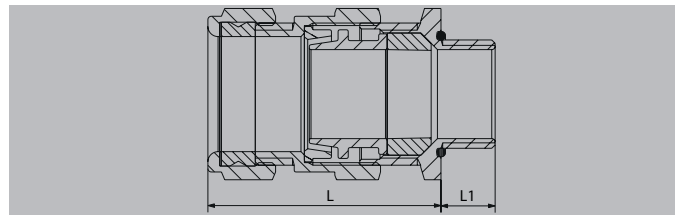
Type	Thread	D1 outer cable Ø	D2 inner cable Ø	Cable armour	L/L1	SW	Qty.	Order No.
<b>metric</b>								
E1WS/16/M16-WM	M 16 x 1.5	8-13.5	4.50-8.70	0.9-0.9	78 / 16	24	24	1188840000
E1WS/20/M20-WM	M 20 x 1.5	15-21	10.00-14.00	0.9-1.25	78.5 / 16	30	24	1188860000
E1WS/20S/M20-WM	M 20 x 1.5	12.5-16	8.00-11.70	0.9-1.25	78.5 / 16	26	24	1188850000
E1WS/25/M25-WM	M 25 x 1.5	20-27.5	13.50-20.00	1.25-1.6	80 / 16	38	12	1188870000
E1WS/32/M32-WM	M 32 x 1.5	26-34	19.50-26.30	1.6-2	83 / 16	46	12	1188880000
E1WS/40/M40-WM	M 40 x 1.5	30.5-40.5	25.50-32.20	1.6-2	93.5 / 16	55	4	1188890000
E1WS/50/M50-WM	M 50 x 1.5	45.55-53	37.50-44.10	2-2.5	92.5 / 16	65	4	1188910000
E1WS/50S/M50-WM	M 50 x 1.5	38.5-46.5	31.50-38.20	2-2.5	93.5 / 16	60	4	1188900000
E1WS/63/M63-WM	M 63 x 1.5	58-66	49.50-56.00	2.5-2.5	96.5 / 19	80	4	1188930000
E1WS/63S/M63-WM	M 63 x 1.5	51.5-59.5	43.50-50.10	2.5-2.5	97.5 / 19	75	4	1188920000
<b>inch NPT</b>								
E1WS/16/NPT1/2-WM	1/2" NPT	8-13.5	4.50-8.70	0.9-0.9	78 / 13.6	24	24	1188940000
E1WS/16/NPT3/4-WM	3/4" NPT	8-13.5	4.50-8.70	0.9-0.9	78 / 13.9	24	24	1189040000
E1WS/20/NPT1/2-WM	1/2" NPT	15-21	10.00-14.00	0.9-1.25	78.5 / 13.6	30	24	1188960000
E1WS/20/NPT3/4-WM	3/4" NPT	15-21	10.00-14.00	0.9-1.25	78.5 / 13.9	30	24	1189060000
E1WS/20S/NPT1/2-WM	1/2" NPT	12.5-16	8.00-11.70	0.9-1.25	78.5 / 13.6	26	24	1188950000
E1WS/20S/NPT3/4-WM	3/4" NPT	12.5-16	8.00-11.70	0.9-1.25	78.5 / 13.9	26	24	1189050000
E1WS/25/NPT3/4-WM	3/4" NPT	20-27.5	13.50-20.00	1.25-1.6	80 / 13.9	38	12	1188970000
E1WS/25/NPT1-WM	1" NPT	20-27.5	13.50-20.00	1.25-1.6	80 / 17.3	38	12	1189070000
E1WS/32/NPT1-WM	1" NPT	26-34	19.50-26.30	1.6-2	83 / 17.3	46	12	1188980000
E1WS/32/NPT1-1/4-WM	1 1/4" NPT	26-34	19.50-26.30	1.6-2	83 / 18	46	12	1189080000
E1WS/40/NPT1-1/4-WM	1 1/4" NPT	30.5-40.5	25.50-32.20	1.6-2	93.5 / 18	55	4	1188990000
E1WS/40/NPT1-1/2-WM	1 1/2" NPT	30.5-40.5	25.50-32.20	1.6-2	93.5 / 18.4	55	4	1189090000
E1WS/50S/NPT1-1/2-WM	1 1/2" NPT	38.5-46.5	31.50-38.20	2-2.5	93.5 / 18.4	60	4	1189000000
E1WS/50/NPT2-WM	2" NPT	45.55-53	37.50-44.10	2-2.5	92.5 / 19.2	65	4	1189010000
E1WS/50S/NPT2-WM	2" NPT	38.5-46.5	31.50-38.20	2-2.5	93.5 / 19.2	60	4	1189100000
E1WS/63S/NPT2-WM	2" NPT	51.5-59.5	43.50-50.10	2.5-2.5	97.5 / 19.2	75	4	1189020000
E1WS/63/NPT2-1/2-WM	2 1/2" NPT	58-66	49.50-56.00	2.5-2.5	96.5 / 28.9	80	4	1189030000
E1WS/63S/NPT2-1/2-WM	2 1/2" NPT	51.5-59.5	43.50-50.10	2.5-2.5	97.5 / 28.9	75	4	1189110000

- Note**
- All cable glands have a thread pitch of 1.5 mm.
  - In the case of Ex d applications, the inner threads used for cable glands must meet the requirements of section 5.3 of EN/IEC 60079-1. In the screwed in position, at least 5 threads must be engaged.
  - If the cable glands are installed in non-metallic Ex e connection equipment, these must be connected to the protective earth of the system.
  - The connection cable must be laid securely and inflexibly to rule out tensile stress.
  - Installation specifications and tightening torques can be found in the installation instructions. For further information please use our online catalogue: [catalog.weidmueller.com](http://catalog.weidmueller.com).

Ex-cable glands – Nickel-plated Brass – Ex e, Ex d, IP66 / IP68 for cables with braided or foil armouring



Type E1XZ cable glands are suitable for SWB steel wire braiding or STA foil armouring, type E1XZ glands are given explosion protection Ex d and increased safety Ex e. The armouring provides an electrical connection between the cable armouring and the glands.



Technical data

Material	Brass, nickel-plated
Seal insert	Silicone
Operating temperature	-50 °C...120 °C
Protection class	IP66, IP68
Type of armouring	Braided armouring, Metal foil armouring
Identification	II 2G 1D, Ex db IIC Gb, Ex eb IIC Gb, Ex ta IIIC Da
Certificate no. (ATEX / IECEx / CCC / EAC)	TÜV IT 16ATEX 059X / IECEx TPS 16.0004X / 2020322313000069 / RU C-DE.HB07.B.00130/20
<b>Note</b>	Length "L" depends on the cable diameter used.

Ordering data

Type	Thread	D1 outer cable Ø	D2 inner cable Ø	Cable armour	L/L1	SW	Qty.	Order No.
<b>metric</b>								
E1XZ/16/M16-WM	M 16 x 1.5	8-13.5	4.50-8.70	0.9-0.9	78 / 16	24	24	1184970000
E1XZ/20/M20-WM	M 20 x 1.5	15-21	10.00-14.00	0.9-1.25	78.5 / 16	30	24	1184990000
E1XZ/20S/M20-WM	M 20 x 1.5	12.5-16	8.00-11.70	0.9-1.25	78.5 / 16	26	24	1184980000
E1XZ/25/M25-WM	M 25 x 1.5	20-27.5	13.50-20.00	1.25-1.6	80 / 16	38	12	1185000000
E1XZ/32/M32-WM	M 32 x 1.5	26-34	19.50-26.30	1.6-2	83 / 16	46	12	1185010000
E1XZ/40/M40-WM	M 40 x 1.5	30.5-40.5	25.50-32.20	1.6-2	93.5 / 16	55	4	1185020000
E1XZ/50/M50-WM	M 50 x 1.5	45.5-53	37.50-44.10	2-2.5	92.5 / 16	65	4	1185040000
E1XZ/50S/M50-WM	M 50 x 1.5	38.5-46.5	31.50-38.20	2-2.5	93.5 / 16	60	4	1185030000
E1XZ/63/M63-WM	M 63 x 1.5	58-66	49.50-56.00	2.5-2.5	96.5 / 19	80	4	1185070000
E1XZ/63S/M63-WM	M 63 x 1.5	51.5-59.5	43.50-50.10	2.5-2.5	97.5 / 19	75	4	1185050000
<b>inch NPT</b>								
E1XZ/16/NPT1/2-WM	1/2" NPT	8-13.5	4.50-8.70	0.9-0.9	78 / 13.6	24	24	1185080000
E1XZ/16/NPT3/4-WM	3/4" NPT	8-13.5	4.50-8.70	0.9-0.9	78 / 13.9	24	24	1185190000
E1XZ/20/NPT1/2-WM	1/2" NPT	15-21	10.00-14.00	0.9-1.25	78.5 / 13.6	30	24	1185100000
E1XZ/20/NPT3/4-WM	3/4" NPT	15-21	10.00-14.00	0.9-1.25	78.5 / 13.9	30	24	1185210000
E1XZ/20S/NPT1/2-WM	1/2" NPT	12.5-16	8.00-11.70	0.9-1.25	78.5 / 13.6	26	24	1185090000
E1XZ/20S/NPT3/4-WM	3/4" NPT	12.5-16	8.00-11.70	0.9-1.25	78.5 / 13.9	26	24	1185200000
E1XZ/25/NPT3/4-WM	3/4" NPT	20-27.5	13.50-20.00	1.25-1.6	80 / 13.9	38	12	1185110000
E1XZ/25/NPT1-WM	1" NPT	20-27.5	13.50-20.00	1.25-1.6	80 / 17.3	38	12	1185220000
E1XZ/32/NPT1-WM	1" NPT	26-34	19.50-26.30	1.6-2	83 / 17.3	46	12	1185120000
E1XZ/32/NPT1-1/4-WM	1 1/4" NPT	26-34	19.50-26.30	1.6-2	83 / 18	46	12	1185230000
E1XZ/40/NPT1-1/4-WM	1 1/4" NPT	30.5-40.5	25.50-32.20	1.6-2	93.5 / 18	55	4	1185130000
E1XZ/40/NPT1-1/2-WM	1 1/2" NPT	30.5-40.5	25.50-32.20	1.6-2	93.5 / 18.4	55	4	1185240000
E1XZ/50S/NPT1-1/2-WM	1 1/2" NPT	38.5-46.5	31.50-38.20	2-2.5	93.5 / 18.4	60	4	1185140000
E1XZ/50/NPT2-WM	2" NPT	45.5-53	37.50-44.10	2-2.5	92.5 / 19.2	65	4	1185150000
E1XZ/50S/NPT2-WM	2" NPT	38.5-46.5	31.50-38.20	2-2.5	93.5 / 19.2	60	4	1185250000
E1XZ/63S/NPT2-WM	2" NPT	51.5-59.5	43.50-50.10	2.5-2.5	97.5 / 19.2	75	4	1185170000
E1XZ/63/NPT2-1/2-WM	2 1/2" NPT	58-66	49.50-56.00	2.5-2.5	96.5 / 28.9	80	4	1185180000
E1XZ/63S/NPT2-1/2-WM	2 1/2" NPT	51.5-59.5	43.50-50.10	2.5-2.5	97.5 / 28.9	75	4	1185270000

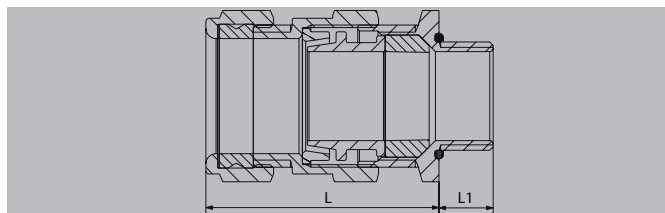
**Note**

- All cable glands have a thread pitch of 1.5 mm.
- In the case of Ex d applications, the inner threads used for cable glands must meet the requirements of section 5.3 of EN/IEC 60079-1. In the screwed in position, at least 5 threads must be engaged.
- If the cable glands are installed in non-metallic Ex e connection equipment, these must be connected to the protective earth of the system.
- The connection cable must be laid securely and inflexibly to rule out tensile stress.
- Installation specifications and tightening torques can be found in the installation instructions. For further information please use our online catalogue: [catalog.weidmueller.com](http://catalog.weidmueller.com).

## Ex-cable glands – Stainless steel – Ex e, Ex d, IP66 / IP68 for armoured cables



Type E1XZS cable glands are suitable for SWB steel wire braiding or STA foil armouring, type E1XZ glands are given explosion protection Ex d and increased safety Ex e. The armouring provides an electrical connection between the cable armouring and the glands.



## Technical data

Material	Stainless steel 1.4404
Seal insert	Silicone
Operating temperature	-50 °C...120 °C
Protection class	IP66, IP68
Type of armouring	Braided armouring, Metal foil armouring
Identification	II 2G 1D, Ex db IIC Gb, Ex eb IIC Gb, Ex ta IIC Da
Certificate no. (ATEX / IECEx / CCC / EAC)	TÜV IT 16ATEX 059X / IECEx TPS 16.0004X / 2020322313000069 / RU C-DE.HB07.B.00130/20
<b>Note</b>	Length "L" depends on the cable diameter used.

## Ordering data

Type	Thread	D1 outer cable Ø	D2 inner cable Ø	Cable armour	L/L1	SW	Qty.	Order No.
<b>metric</b>								
E1XZS/16/M16-WM	M 16 x 1.5	8-13.5	4.50-8.70	0.9-0.9	78 / 16	24	24	1188020000
E1XZS/20/M20-WM	M 20 x 1.5	15-21	10.00-14.00	0.9-1.25	78.5 / 16	30	24	1188040000
E1XZS/20S/M20-WM	M 20 x 1.5	12.5-16	8.00-11.70	0.9-1.25	78.5 / 16	26	24	1188030000
E1XZS/25/M25-WM	M 25 x 1.5	20-27.5	13.50-20.00	1.25-1.6	80 / 16	38	12	1188050000
E1XZS/32/M32-WM	M 32 x 1.5	26-34	19.50-26.30	1.6-2	83 / 16	46	12	1188060000
E1XZS/40/M40-WM	M 40 x 1.5	30.5-40.5	25.50-32.20	1.6-2	93.5 / 16	55	4	1188070000
E1XZS/50/M50-WM	M 50 x 1.5	45.55-53	37.50-44.10	2-2.5	92.5 / 16	65	4	1188090000
E1XZS/50S/M50-WM	M 50 x 1.5	38.5-46.5	31.50-38.20	2-2.5	93.5 / 16	60	4	1188080000
E1XZS/63/M63-WM	M 63 x 1.5	58-66	49.50-56.00	2.5-2.5	96.5 / 19	80	4	1188110000
E1XZS/63S/M63-WM	M 63 x 1.5	51.5-59.5	43.50-50.10	2.5-2.5	97.5 / 19	75	4	1188100000
<b>inch NPT</b>								
E1XZS/16/NPT1/2-WM	1/2" NPT	8-13.5	4.50-8.70	0.9-0.9	78 / 13.6	24	24	1188120000
E1XZS/16/NPT3/4-WM	3/4" NPT	8-13.5	4.50-8.70	0.9-0.9	78 / 13.9	24	24	1188230000
E1XZS/20/NPT1/2-WM	1/2" NPT	15-21	10.00-14.00	0.9-1.25	78.5 / 13.6	30	24	1188150000
E1XZS/20/NPT3/4-WM	3/4" NPT	15-21	10.00-14.00	0.9-1.25	78.5 / 13.9	30	24	1188250000
E1XZS/20S/NPT1/2-WM	1/2" NPT	12.5-16	8.00-11.70	0.9-1.25	78.5 / 13.6	26	24	1188140000
E1XZS/20S/NPT3/4-WM	3/4" NPT	12.5-16	8.00-11.70	0.9-1.25	78.5 / 13.9	26	24	1188240000
E1XZS/25/NPT3/4-WM	3/4" NPT	20-27.5	13.50-20.00	1.25-1.6	80 / 13.9	38	12	1188160000
E1XZS/25/NPT1-WM	1" NPT	20-27.5	13.50-20.00	1.25-1.6	80 / 17.3	38	12	1188260000
E1XZS/32/NPT1-WM	1" NPT	26-34	19.50-26.30	1.6-2	83 / 17.3	46	12	1188170000
E1XZS/32/NPT1-1/4-WM	1 1/4" NPT	26-34	19.50-26.30	1.6-2	83 / 18	46	12	1188270000
E1XZS/40/NPT1-1/4-WM	1 1/4" NPT	30.5-40.5	25.50-32.20	1.6-2	93.5 / 18	55	4	1188180000
E1XZS/40/NPT1-1/2-WM	1 1/2" NPT	30.5-40.5	25.50-32.20	1.6-2	93.5 / 18.4	55	4	1188280000
E1XZS/50S/NPT1-1/2-WM	1 1/2" NPT	38.5-46.5	31.50-38.20	2-2.5	93.5 / 18.4	60	4	1188190000
E1XZS/50/NPT2-WM	2" NPT	45.55-53	37.50-44.10	2-2.5	92.5 / 19.2	65	4	1188200000
E1XZS/50S/NPT2-WM	2" NPT	38.5-46.5	31.50-38.20	2-2.5	93.5 / 19.2	60	4	1188290000
E1XZS/63S/NPT2-WM	2" NPT	51.5-59.5	43.50-50.10	2.5-2.5	97.5 / 19.2	75	4	1188210000
E1XZS/63/NPT2-1/2-WM	2 1/2" NPT	58-66	49.50-56.00	2.5-2.5	96.5 / 28.9	80	4	1188220000
E1XZS/63S/NPT2-1/2-WM	2 1/2" NPT	51.5-59.5	43.50-50.10	2.5-2.5	97.5 / 28.9	75	4	1188300000

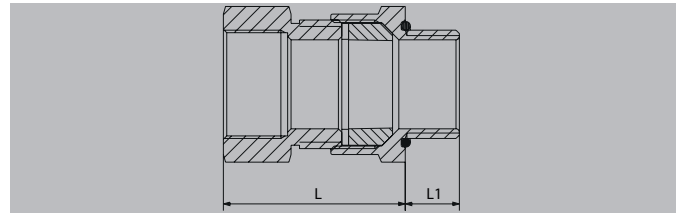
- Note**
- All cable glands have a thread pitch of 1.5 mm.
  - In the case of Ex d applications, the inner threads used for cable glands must meet the requirements of section 5.3 of EN/IEC 60079-1. In the screwed in position, at least 5 threads must be engaged.
  - If the cable glands are installed in non-metallic Ex e connection equipment, these must be connected to the protective earth of the system.
  - The connection cable must be laid securely and inflexibly to rule out tensile stress.
  - Installation specifications and tightening torques can be found in the installation instructions. For further information please use our online catalogue: [catalog.weidmueller.com](http://catalog.weidmueller.com).

## Ex-cable glands

## Ex-cable glands – Nickel-plated Brass – Ex e, Ex d, IP66 / IP68 for non-armoured cables with raw thread connection



Cable glands type A2LC are suitable for non-armoured cables and have a conduit internal thread, maintaining explosion protection Ex d and increased safety Ex e.



## Technical data

Material	Brass, nickel-plated
O-ring / Seal insert	Silicone / Silicone
Operating temperature	-50 °C...120 °C
Protection class	IP66, IP68
Identification	II 2G 1D, Ex db IIC Gb, Ex eb IIC Gb, Ex ta IIIC Da
Certificate no. (ATEX / IECEx / CCC / EAC)	TÜV IT 16ATEX 059X / IECEx TPS 16.0004X / 2020322313000069 / RU C-DE.HB07.B.00130/20
<b>Note</b>	Length "L" depends on the cable diameter used.

## Ordering data

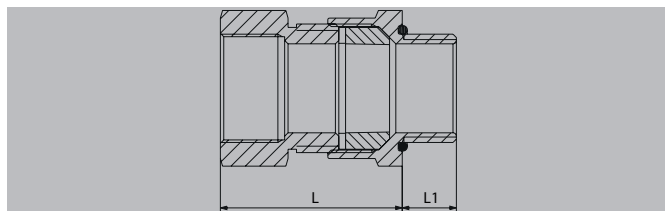
Type	Thread	Conduit thread size	KB	L/L1	SW	Qty.	Order No.
<b>metric to metric</b>							
A2LC/16/M16-M20F-WM	M 16 x 1.5	M20	4.5-8.7	69.8 / 16	24	24	1205080000
A2LC/20/M20-M20F-WM	M 20 x 1.5	M20	10-14	68.8 / 16	28	24	1205110000
A2LC/20S/M20-M20F-WM	M 20 x 1.5	M20	8-11.7	68.8 / 16	26	24	1205090000
A2LC/25/M25-M25F-WM	M 25 x 1.5	M25	13.5-20	69.8 / 16	36	12	1205120000
A2LC/32/M32-M32F-WM	M 32 x 1.5	M32	19.5-26.3	69.8 / 16	42	12	1205130000
A2LC/40/M40-M40F-WM	M 40 x 1.5	M40	25.5-32.2	71.8 / 16	50	9	1205140000
A2LC/50/M50-M50F-WM	M 50 x 1.5	M50	37.5-44.1	72.3 / 16	65	6	1205160000
A2LC/50S/M50-M50F-WM	M 50 x 1.5	M50	31.5-38.2	73.3 / 16	60	6	1205150000
A2LC/63/M63-M63F-WM	M 63 x 1.5	M63	49.5-56	78.8 / 19	80	4	1205180000
A2LC/63S/M63-M63F-WM	M 63 x 1.5	M63	43.5-50.1	79.8 / 19	75	4	1205170000
<b>metric to inch NPT</b>							
A2LC/16/M16-NPT1/2F-WM	M 16 x 1.5	NPT 1/2"	4.5-8.7	69.8 / 16	24	24	1205190000
A2LC/16/M16-NPT3/4F-WM	M 16 x 1.5	NPT 3/4"	4.5-8.7	69.8 / 16	24	24	1205270000
A2LC/20/M20-NPT1/2F-WM	M 20 x 1.5	NPT 1/2"	10-14	68.8 / 16	28	24	1205220000
A2LC/20/M20-NPT3/4F-WM	M 20 x 1.5	NPT 3/4"	10-14	68.8 / 16	28	24	1205290000
A2LC/20S/M20-NPT1/2F-WM	M 20 x 1.5	NPT 1/2"	8-11.7	68.8 / 16	26	24	1205210000
A2LC/20S/M20-NPT3/4F-WM	M 20 x 1.5	NPT 3/4"	8-11.7	68.8 / 16	26	24	1205280000
A2LC/25/M25-NPT1F-WM	M 25 x 1.5	NPT 1"	13.5-20	69.8 / 16	36	12	1205310000
A2LC/25/M25-NPT3/4F-WM	M 25 x 1.5	NPT 3/4"	13.5-20	69.8 / 16	36	12	1205230000
A2LC/32/M32-NPT1-1/4F	M 32 x 1.5	NPT 1-1/4"	19.5-26.3	69.8 / 16	42	12	1205580000
A2LC/32/M32-NPT1F-WM	M 32 x 1.5	NPT 1"	19.5-26.3	69.8 / 16	42	12	1205240000
A2LC/40/M40-NPT1-1/2F	M 40 x 1.5	NPT 1-1/2"	25.5-32.2	71.8 / 16	50	9	1205070000
A2LC/40/M40-NPT1-1/4F	M 40 x 1.5	NPT 1-1/4"	25.5-32.2	71.8 / 16	50	9	1205550000
A2LC/50/M50-NPT2F-WM	M 50 x 1.5	NPT 2"	37.5-44.1	72.3 / 16	65	6	1205250000
A2LC/50S/M50-NPT1-1/2F	M 50 x 1.5	NPT 1-1/2"	31.5-38.2	73.3 / 16	60	6	1205560000
A2LC/50S/M50-NPT2F-WM	M 50 x 1.5	NPT 2"	31.5-38.2	73.3 / 16	60	6	1205320000
A2LC/63/M63-NPT2-1/2F	M 63 x 1.5	NPT 2-1/2"	49.5-56	78.8 / 19	80	4	1205570000
A2LC/63S/M63-NPT2-1/2F	M 63 x 1.5	NPT 2-1/2"	43.5-50.1	79.8 / 19	75	4	1205590000
A2LC/63S/M63-NPT2F-WM	M 63 x 1.5	NPT 2"	43.5-50.1	79.8 / 19	75	4	1205260000

- Note**
- All cable glands have a thread pitch of 1.5 mm.
  - In the case of Ex d applications, the inner threads used for cable glands must meet the requirements of section 5.3 of EN/IEC 60079-1. In the screwed in position, at least 5 threads must be engaged.
  - If the cable glands are installed in non-metallic Ex e connection equipment, these must be connected to the protective earth of the system.
  - The connection cable must be laid securely and inflexibly to rule out tensile stress.
  - Installation specifications and tightening torques can be found in the installation instructions. For further information please use our online catalogue: [catalog.weidmueller.com](http://catalog.weidmueller.com).

## Ex-cable glands – Nickel-plated Brass – Ex e, Ex d, IP66 / IP68 for non-armoured cables with raw thread connection



Cable glands type A2LC are suitable for non-armoured cables and have a conduit internal thread, maintaining explosion protection Ex d and increased safety Ex e.



## Technical data

Material	Brass, nickel-plated
O-ring / Seal insert	Silicone / Silicone
Operating temperature	-50 °C...120 °C
Protection class	IP66, IP68
Identification	II 2G 1D, Ex db IIC Gb, Ex eb IIC Gb, Ex ta IIIC Da
Certificate no. (ATEX / IECEx / CCC / EAC)	TÜV IT 16ATEX 059X / IECEx TPS 16.0004X / 2020322313000069 / RU C-DE.HB07.B.00130/20
<b>Note</b>	Length "L" depends on the cable diameter used.

## Ordering data

Type	Thread	Conduit thread size	KB	L/L1	SW	Qty.	Order No.
<b>inch NPT to metric</b>							
A2LC/16/NPT1/2-M20F-WM	1/2" NPT	M20	4.5-8.7	69.8 / 13.6	24	24	1205330000
A2LC/16/NPT3/4-M20F-WM	3/4" NPT	M20	4.5-8.7	69.8 / 13.9	24	24	1205450000
A2LC/20/NPT1/2-M20F-WM	1/2" NPT	M20	10-14	68.8 / 13.6	28	24	1205350000
A2LC/20/NPT3/4-M20F-WM	3/4" NPT	M20	10-14	68.8 / 13.9	28	24	1205470000
A2LC/20S/NPT1/2-M20F-WM	1/2" NPT	M20	8-11.7	68.8 / 13.6	26	24	1205340000
A2LC/20S/NPT3/4-M20F-WM	3/4" NPT	M20	8-11.7	68.8 / 13.9	26	24	1205460000
A2LC/25/NPT1-M25F-WM	1" NPT	M25	13.5-20	69.8 / 17.3	36	12	1205480000
A2LC/25/NPT3/4-M25F-WM	3/4" NPT	M25	13.5-20	69.8 / 13.9	36	12	1205360000
A2LC/32/NPT1-1/4-M32F	1 1/4" NPT	M32	19.5-26.3	69.8 / 18	42	12	1206390000
A2LC/32/NPT1-M32F-WM	1" NPT	M32	19.5-26.3	69.8 / 17.3	42	12	1205370000
A2LC/40/NPT1-1/2-M40F	1 1/2" NPT	M40	25.5-32.2	71.8 / 18.4	50	9	1206710000
A2LC/40/NPT1-1/4-M40F	1 1/4" NPT	M40	25.5-32.2	71.8 / 18	50	9	1205610000
A2LC/50/NPT2-M50F-WM	2" NPT	M50	37.5-44.1	72.3 / 19.2	65	6	1205380000
A2LC/50S/NPT1-1/2-M50F	1 1/2" NPT	M50	31.5-38.2	73.3 / 18.4	60	6	1205620000
A2LC/50S/NPT2-M50F-WM	2" NPT	M50	31.5-38.2	73.3 / 19.2	60	6	1205490000
A2LC/63/NPT2-1/2-M63F	2 1/2" NPT	M63	49.5-56	78.8 / 28.9	80	4	1205630000
A2LC/63S/NPT2-1/2-M63F	2 1/2" NPT	M63	43.5-50.1	79.8 / 28.9	75	4	1206690000
A2LC/63S/NPT2-M63F-WM	2" NPT	M63	43.5-50.1	79.8 / 19.2	75	4	1205390000

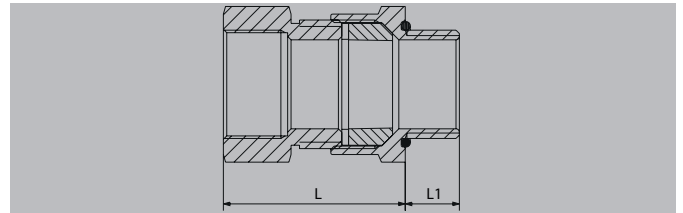
- Note**
- All cable glands have a thread pitch of 1.5 mm.
  - In the case of Ex d applications, the inner threads used for cable glands must meet the requirements of section 5.3 of EN/IEC 60079-1. In the screwed in position, at least 5 threads must be engaged.
  - If the cable glands are installed in non-metallic Ex e connection equipment, these must be connected to the protective earth of the system.
  - The connection cable must be laid securely and inflexibly to rule out tensile stress.
  - Installation specifications and tightening torques can be found in the installation instructions. For further information please use our online catalogue: [catalog.weidmueller.com](http://catalog.weidmueller.com).

## Ex-cable glands

## Ex-cable glands – Nickel-plated Brass – Ex e, Ex d, IP66 / IP68 for non-armoured cables with raw thread connection



Cable glands type A2LC are suitable for non-armoured cables and have a conduit internal thread, maintaining explosion protection Ex d and increased safety Ex e.



## Technical data

Material	Brass, nickel-plated
O-ring / Seal insert	Silicone / Silicone
Operating temperature	-50 °C...120 °C
Protection class	IP66, IP68
Identification	II 2G 1D, Ex db IIC Gb, Ex eb IIC Gb, Ex ta IIIC Da
Certificate no. (ATEX / IECEx / CCC / EAC)	TÜV IT 16ATEX 059X / IECEx TPS 16.0004X / 2020322313000069 / RU C-DE.HB07.B.00130/20
<b>Note</b>	

## Ordering data

Type	Thread	Conduit thread size	KB	L/L1	SW	Qty.	Order No.
<b>inch NPT to inch NPT</b>							
A2LC/16/NPT1/2-NPT1/2F	1/2" NPT	NPT 1/2"	4.5-8.7	69.8 / 13.6	24	24	1205640000
A2LC/16/NPT1/2-NPT3/4F	1/2" NPT	NPT 3/4"	4.5-8.7	69.8 / 13.6	24	24	1206310000
A2LC/16/NPT3/4-NPT1/2F	3/4" NPT	NPT 1/2"	4.5-8.7	69.8 / 13.9	24	24	1206680000
A2LC/16/NPT3/4-NPT3/4F	3/4" NPT	NPT 3/4"	4.5-8.7	69.8 / 13.9	24	24	1206560000
A2LC/20/NPT1/2-NPT1/2F	1/2" NPT	NPT 1/2"	10-14	68.8 / 13.6	28	24	1205670000
A2LC/20/NPT1/2-NPT3/4F	1/2" NPT	NPT 3/4"	10-14	68.8 / 13.6	28	24	1206320000
A2LC/20/NPT3/4-NPT1/2F	3/4" NPT	NPT 1/2"	10-14	68.8 / 13.9	28	24	1206660000
A2LC/20/NPT3/4-NPT3/4F	3/4" NPT	NPT 3/4"	10-14	68.8 / 13.9	28	24	1206540000
A2LC/20S/NPT1/2-NPT1/2F	1/2" NPT	NPT 1/2"	8-11.7	68.8 / 13.6	26	24	1205660000
A2LC/20S/NPT1/2-NPT3/4F	1/2" NPT	NPT 3/4"	8-11.7	68.8 / 13.6	26	24	1205960000
A2LC/20S/NPT3/4-NPT1/2F	3/4" NPT	NPT 1/2"	8-11.7	68.8 / 13.9	26	24	1206670000
A2LC/20S/NPT3/4-NPT3/4F	3/4" NPT	NPT 3/4"	8-11.7	68.8 / 13.9	26	24	1206550000
A2LC/25/NPT1-NPT1F-WM	1" NPT	NPT 1"	13.5-20	69.8 / 17.3	36	12	1205520000
A2LC/25/NPT1-NPT3/4F-WM	1" NPT	NPT 3/4"	13.5-20	69.8 / 17.3	36	12	1205510000
A2LC/25/NPT3/4-NPT1F-WM	3/4" NPT	NPT 1"	13.5-20	69.8 / 13.9	36	12	1205440000
A2LC/25/NPT3/4-NPT3/4F	3/4" NPT	NPT 3/4"	13.5-20	69.8 / 13.9	36	12	1205680000
A2LC/32/NPT1-1/4-NPT1-1	1 1/4" NPT	NPT 1-1/4"	19.5-26.3	69.8 / 18	42	12	1206630000
A2LC/32/NPT1-1/4-NPT1F	1 1/4" NPT	NPT 1"	19.5-26.3	69.8 / 18	42	12	1206620000
A2LC/32/NPT1-NPT1-1/4F	1" NPT	NPT 1-1/4"	19.5-26.3	69.8 / 17.3	42	12	1206330000
A2LC/32/NPT1-NPT1F-WM	1" NPT	NPT 1"	19.5-26.3	69.8 / 17.3	42	12	1205410000
A2LC/40/NPT1-1/2-NPT1	1 1/2" NPT	NPT 1-1/4"	25.5-32.2	71.8 / 18.4	50	9	1206590000
A2LC/40/NPT1-1/2-NPT1-1	1 1/2" NPT	NPT 1-1/2"	25.5-32.2	71.8 / 18.4	50	9	1206640000
A2LC/40/NPT1-1/4-NPT1	1 1/4" NPT	NPT 1-1/2"	25.5-32.2	71.8 / 18	50	9	1206360000
A2LC/50/NPT2-NPT2F-WM	2" NPT	NPT 2"	37.5-44.1	72.3 / 19.2	65	6	1205420000
A2LC/50S/NPT1-1/2-NPT1	1 1/2" NPT	NPT 1-1/2"	31.5-38.2	73.3 / 18.4	60	6	1206280000
A2LC/50S/NPT1-1/2-NPT2F	1 1/2" NPT	NPT 2"	31.5-38.2	73.3 / 18.4	60	6	1206380000
A2LC/50S/NPT2-NPT1-1/2F	2" NPT	NPT 1-1/2"	31.5-38.2	73.3 / 19.2	60	6	1206580000
A2LC/50S/NPT2-NPT2F-WM	2" NPT	NPT 2"	31.5-38.2	73.3 / 19.2	60	6	1205530000
A2LC/63/NPT2-1/2-NPT2	2 1/2" NPT	NPT 2-1/2"	49.5-56	78.8 / 28.9	80	4	1206290000
A2LC/63S/NPT2-1/2-NPT2	2 1/2" NPT	NPT 2-1/2"	43.5-50.1	79.8 / 19.2	75	4	1206650000
A2LC/63S/NPT2-1/2-NPT2F	2 1/2" NPT	NPT 2"	43.5-50.1	79.8 / 19.2	75	4	1206570000
A2LC/63S/NPT2-NPT2-1/2F	2" NPT	NPT 2-1/2"	43.5-50.1	79.8 / 19.2	75	4	1206370000
A2LC/63S/NPT2-NPT2F-WM	2" NPT	NPT 2"	43.5-50.1	79.8 / 19.2	75	4	1205430000

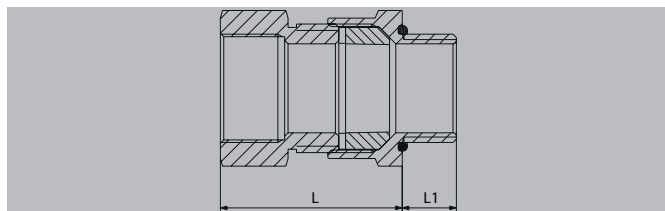
**Note**



## Ex-cable glands – Stainless steel – Ex e, Ex d, IP66 / IP68 for non-armoured cables with raw thread connection



Cable glands type A2LCS are suitable for non-armoured cables and have a conduit internal thread, maintaining explosion protection Ex d and increased safety Ex e.



## Technical data

Material	Stainless steel 1.4404
O-ring / Seal insert	Silicone / Silicone
Operating temperature	-50 °C...120 °C
Protection class	IP66, IP68
Identification	II 2G 1D, Ex db IIC Gb, Ex eb IIC Gb, Ex ta IIIC Da
Certificate no. (ATEX / IECEx / CCC / EAC)	TÜV IT 16ATEX 059X / IECEx TPS 16.0004X / 2020322313000069 / RU C-DE.HB07.B.00130/20
<b>Note</b>	Length "L" depends on the cable diameter used.

## Ordering data

Type	Thread	Conduit thread size	KB	L/L1	SW	Qty.	Order No.
<b>metric to metric</b>							
A2LCS/16/M16-M20F-WM	M 16 x 1.5	M20	4.5-8.7	69.8 / 16	24	24	1187180000
A2LCS/20/M20-M20F-WM	M 20 x 1.5	M20	10-14	68.8 / 16	28	24	1187200000
A2LCS/20S/M20-M20F-WM	M 20 x 1.5	M20	8-11.7	68.8 / 16	26	24	1187190000
A2LCS/25/M25-M25F-WM	M 25 x 1.5	M25	13.5-20	69.8 / 16	36	12	1187210000
A2LCS/32/M32-M32F-WM	M 32 x 1.5	M32	19.5-26.3	69.8 / 16	42	12	1187220000
A2LCS/40/M40-M40F-WM	M 40 x 1.5	M40	25.5-32.2	71.8 / 16	50	9	1187230000
A2LCS/50/M50-M50F-WM	M 50 x 1.5	M50	37.5-44.1	72.3 / 16	65	6	1187250000
A2LCS/50S/M50-M50F-WM	M 50 x 1.5	M50	31.5-38.2	73.3 / 16	60	6	1187240000
A2LCS/63/M63-M63F-WM	M 63 x 1.5	M63	49.5-56	78.8 / 19	80	4	1187270000
A2LCS/63S/M63-M63F-WM	M 63 x 1.5	M63	43.5-50.1	79.8 / 19	75	4	1187260000
<b>metric to inch NPT</b>							
A2LCS/16/M16-NPT1/2F-WM	M 16 x 1.5	NPT 1/2"	4.5-8.7	69.8 / 16	24	24	1187280000
A2LCS/16/M16-NPT3/4F-WM	M 16 x 1.5	NPT 3/4"	4.5-8.7	69.8 / 16	24	24	1187380000
A2LCS/20/M20-NPT1/2F-WM	M 20 x 1.5	NPT 1/2"	10-14	68.8 / 16	28	24	1187300000
A2LCS/20/M20-NPT3/4F-WM	M 20 x 1.5	NPT 3/4"	10-14	68.8 / 16	28	24	1187400000
A2LCS/20S/M20-NPT1/2F	M 20 x 1.5	NPT 1/2"	8-11.7	68.8 / 16	26	24	1187290000
A2LCS/20S/M20-NPT3/4F	M 20 x 1.5	NPT 3/4"	8-11.7	68.8 / 16	26	24	1187390000
A2LCS/25/M25-NPT1F-WM	M 25 x 1.5	NPT 1"	13.5-20	69.8 / 16	36	12	1187410000
A2LCS/25/M25-NPT3/4F-WM	M 25 x 1.5	NPT 3/4"	13.5-20	69.8 / 16	36	12	1187310000
A2LCS/32/M32-NPT1-1/4F	M 32 x 1.5	NPT 1-1/4"	19.5-26.3	69.8 / 16	42	12	1187420000
A2LCS/32/M32-NPT1F-WM	M 32 x 1.5	NPT 1"	19.5-26.3	69.8 / 16	42	12	1187320000
A2LCS/40/M40-NPT1-1/2F	M 40 x 1.5	NPT 1-1/2"	25.5-32.2	71.8 / 16	50	9	1187430000
A2LCS/40/M40-NPT1-1/4F	M 40 x 1.5	NPT 1-1/4"	25.5-32.2	71.8 / 16	50	9	1187330000
A2LCS/50/M50-NPT2F-WM	M 50 x 1.5	NPT 2"	37.5-44.1	72.3 / 16	65	6	1187350000
A2LCS/50S/M50-NPT1-1/2F	M 50 x 1.5	NPT 1-1/2"	31.5-38.2	73.3 / 16	60	6	1187340000
A2LCS/50S/M50-NPT2F-WM	M 50 x 1.5	NPT 2"	31.5-38.2	73.3 / 16	60	6	1187440000
A2LCS/63/M63-NPT2-1/2F	M 63 x 1.5	NPT 2-1/2"	49.5-56	78.8 / 19	80	4	1187370000
A2LCS/63S/M63-NPT2-1/2F	M 63 x 1.5	NPT 2-1/2"	43.5-50.1	79.8 / 19	75	4	1187450000
A2LCS/63S/M63-NPT2F-WM	M 63 x 1.5	NPT 2"	43.5-50.1	79.8 / 19	75	4	1187360000

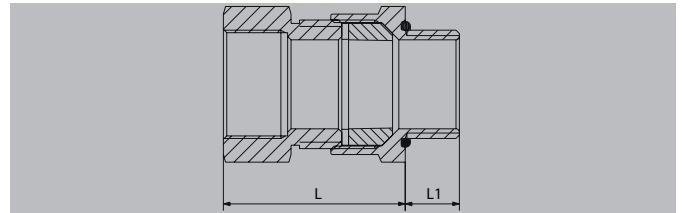
- Note**
- All cable glands have a thread pitch of 1.5 mm.
  - In the case of Ex d applications, the inner threads used for cable glands must meet the requirements of section 5.3 of EN/IEC 60079-1. In the screwed in position, at least 5 threads must be engaged.
  - If the cable glands are installed in non-metallic Ex e connection equipment, these must be connected to the protective earth of the system.
  - The connection cable must be laid securely and inflexibly to rule out tensile stress.
  - Installation specifications and tightening torques can be found in the installation instructions. For further information please use our online catalogue: [catalog.weidmueller.com](http://catalog.weidmueller.com).

## Ex-cable glands

## Ex-cable glands – Stainless steel – Ex e, Ex d, IP66 / IP68 for non-armoured cables with raw thread connection



Cable glands type A2LCS are suitable for non-armoured cables and have a conduit internal thread, maintaining explosion protection Ex d and increased safety Ex e.



## Technical data

Material	Stainless steel 1.4404
O-ring / Seal insert	Silicone / Silicone
Operating temperature	-50 °C...120 °C
Protection class	IP66, IP68
Identification	II 2G 1D, Ex db IIC Gb, Ex eb IIC Gb, Ex ta IIIC Da
Certificate no. (ATEX / IECEx / CCC / EAC)	TÜV IT 16ATEX 059X / IECEx TPS 16.0004X / 2020322313000069 / RU C-DE.HB07.B.00130/20
<b>Note</b>	Length "L" depends on the cable diameter used.

## Ordering data

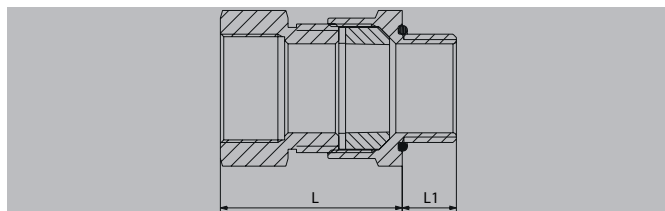
Type	Thread	Conduit thread size	KB	L/L1	SW	Qty.	Order No.
<b>inch NPT to metric</b>							
A2LCS/16/NPT1/2-M20F-WM	1/2" NPT	M20	4.5-8.7	69.8 / 13.6	24	24	1187460000
A2LCS/16/NPT3/4-M20F-WM	3/4" NPT	M20	4.5-8.7	69.8 / 13.9	24	24	1187740000
A2LCS/20/NPT1/2-M20F-WM	1/2" NPT	M20	10-14	68.8 / 13.6	28	24	1187480000
A2LCS/20/NPT3/4-M20F-WM	3/4" NPT	M20	10-14	68.8 / 13.9	28	24	1187760000
A2LCS/20S/NPT1/2-M20F	1/2" NPT	M20	8-11.7	68.8 / 13.6	26	24	1187470000
A2LCS/20S/NPT3/4-M20F	3/4" NPT	M20	8-11.7	68.8 / 13.9	26	24	1187750000
A2LCS/25/NPT1-M25F-WM	1" NPT	M25	13.5-20	69.8 / 17.3	36	12	1187770000
A2LCS/25/NPT3/4-M25F-WM	3/4" NPT	M25	13.5-20	69.8 / 13.9	36	12	1187490000
A2LCS/32/NPT1-1/4-M32F	1 1/4" NPT	M32	19.5-26.3	69.8 / 18	42	12	1187780000
A2LCS/32/NPT1-M32F-WM	1" NPT	M32	19.5-26.3	69.8 / 17.3	42	12	1187500000
A2LCS/40/NPT1-1/4-M40F	1 1/4" NPT	M40	25.5-32.2	71.8 / 18	50	9	1187510000
A2LCS/50/NPT2-M50F-WM	2" NPT	M50	37.5-44.1	72.3 / 19.2	65	6	1187530000
A2LCS/50S/NPT1-1/2-M50F	1 1/2" NPT	M50	31.5-38.2	73.3 / 18.4	60	6	1187520000
A2LCS/50S/NPT2-M50F-WM	2" NPT	M50	31.5-38.2	73.3 / 19.2	60	6	1187800000
A2LCS/63/NPT2-1/2-M63	2 1/2" NPT	M63	49.5-56	78.8 / 28.9	80	4	1187550000
A2LCS/63S/NPT2-1/2-M63F	2 1/2" NPT	M63	43.5-50.1	79.8 / 28.9	75	4	1187810000
A2LCS/63S/NPT2-M63F-WM	2" NPT	M63	43.5-50.1	79.8 / 19.2	75	4	1187540000
A2LCS/40/NPT1-1/2-M40F	1 1/2" NPT	M40	25.5-32.2	71.8 / 18.4	50	9	1187790000

- Note**
- All cable glands have a thread pitch of 1.5 mm.
  - In the case of Ex d applications, the inner threads used for cable glands must meet the requirements of section 5.3 of EN/IEC 60079-1. In the screwed in position, at least 5 threads must be engaged.
  - If the cable glands are installed in non-metallic Ex e connection equipment, these must be connected to the protective earth of the system.
  - The connection cable must be laid securely and inflexibly to rule out tensile stress.
  - Installation specifications and tightening torques can be found in the installation instructions. For further information please use our online catalogue: [catalog.weidmueller.com](http://catalog.weidmueller.com).

## Ex-cable glands – Stainless steel – Ex e, Ex d, IP66 / IP68 for non-armoured cables with raw thread connection



Cable glands type A2LCS are suitable for non-armoured cables and have a conduit internal thread, maintaining explosion protection Ex d and increased safety Ex e.



## Technical data

Material	Stainless steel 1.4404
O-ring / Seal insert	Silicone / Silicone
Operating temperature	-50 °C...120 °C
Protection class	IP66, IP68
Identification	II 2G 1D, Ex db IIC Gb, Ex eb IIC Gb, Ex ta IIIC Da
Certificate no. (ATEX / IECEx / CCC / EAC)	TÜV IT 16ATEX 059X / IECEx TPS 16.0004X / 2020322313000069 / RU C-DE.HB07.B.00130/20
<b>Note</b>	

## Ordering data

Type	Thread	Conduit thread size	KB	L/L1	SW	Qty.	Order No.
<b>inch NPT to inch NPT</b>							
A2LCS/16/NPT1/2-NPT1/2	1/2" NPT	NPT 1/2"	4.5-8.7	69.8 / 13.6	24	24	1187560000
A2LCS/16/NPT1/2-NPT3/4F	1/2" NPT	NPT 3/4"	4.5-8.7	69.8 / 13.6	24	24	1187660000
A2LCS/16/NPT3/4-NPT1/2F	3/4" NPT	NPT 1/2"	4.5-8.7	69.8 / 13.9	24	24	1187820000
A2LCS/16/NPT3/4-NPT3/4	3/4" NPT	NPT 3/4"	4.5-8.7	69.8 / 13.9	24	24	1187900000
A2LCS/20/NPT1/2-NPT1/2	1/2" NPT	NPT 1/2"	10-14	68.8 / 13.6	28	24	1187580000
A2LCS/20/NPT1/2-NPT3/4F	1/2" NPT	NPT 3/4"	10-14	68.8 / 13.6	28	24	1187680000
A2LCS/20/NPT3/4-NPT	3/4" NPT	NPT 1/2"	10-14	68.8 / 13.9	28	24	1187840000
A2LCS/20/NPT3/4-NPT3/4F	3/4" NPT	NPT 3/4"	10-14	68.8 / 13.9	28	24	1187920000
A2LCS/20S/NPT1/2-NPT1/2	1/2" NPT	NPT 1/2"	8-11.7	68.8 / 13.6	26	24	1187570000
A2LCS/20S/NPT1/2-NPT3/4	1/2" NPT	NPT 3/4"	8-11.7	68.8 / 13.6	26	24	1187670000
A2LCS/20S/NPT3/4-NPT1/2	3/4" NPT	NPT 1/2"	8-11.7	68.8 / 13.9	26	24	1187830000
A2LCS/20S/NPT3/4-NPT3/4	3/4" NPT	NPT 3/4"	8-11.7	68.8 / 13.9	26	24	1187910000
A2LCS/25/NPT1-NPT1F-WM	1" NPT	NPT 1"	13.5-20	69.8 / 17.3	36	12	1187930000
A2LCS/25/NPT1-NPT3/4F	1" NPT	NPT 3/4"	13.5-20	69.8 / 17.3	36	12	1187850000
A2LCS/25/NPT3/4-NPT1F	3/4" NPT	NPT 1"	13.5-20	69.8 / 13.9	36	12	1187690000
A2LCS/25/NPT3/4-NPT3/4	3/4" NPT	NPT 3/4"	13.5-20	69.8 / 13.9	36	12	1187590000
A2LCS/32/NPT1-1/4-NPT1	1 1/4" NPT	NPT 1-1/4"	19.5-26.3	69.8 / 18	42	12	1187940000
A2LCS/32/NPT1-NPT1-1/4F	1" NPT	NPT 1-1/4"	19.5-26.3	69.8 / 17.3	42	12	1187700000
A2LCS/32/NPT1-NPT1F-WM	1" NPT	NPT 1"	19.5-26.3	69.8 / 17.3	42	12	1187600000
A2LCS/40/NPT1-1/2-NPT1	1 1/2" NPT	NPT 1-1/4"	25.5-32.2	71.8 / 18.4	50	9	1187950000
A2LCS/40/NPT1-1/4-NPT1	1 1/4" NPT	NPT 1-1/2"	25.5-32.2	71.8 / 18	50	9	1187710000
A2LCS/50/NPT2-NPT2F-WM	2" NPT	NPT 2"	37.5-44.1	72.3 / 19.2	65	6	1187630000
A2LCS/50S/NPT1-1/2-NPT1	1 1/2" NPT	NPT 1-1/2"	31.5-38.2	73.3 / 18.4	60	6	1187620000
A2LCS/50S/NPT1-1/2-NPT2	1 1/2" NPT	NPT 2"	31.5-38.2	73.3 / 18.4	60	6	1187720000
A2LCS/50S/NPT2-NPT1-1/2	2" NPT	NPT 1-1/2"	31.5-38.2	73.3 / 19.2	60	6	1187880000
A2LCS/50S/NPT2-NPT2F-WM	2" NPT	NPT 2"	31.5-38.2	73.3 / 19.2	60	6	1187960000
A2LCS/63/NPT2-1/2-NPT2	2 1/2" NPT	NPT 2-1/2"	49.5-56	78.8 / 28.9	80	4	1187650000
A2LCS/63S/NPT2-1/2-NPT	2 1/2" NPT	NPT 2-1/2"	43.5-50.1	79.8 / 19.2	75	4	1187970000
A2LCS/63S/NPT2-1/2-NPT2	2 1/2" NPT	NPT 2"	43.5-50.1	79.8 / 19.2	75	4	1187890000
A2LCS/63S/NPT2-NPT2-1/2	2" NPT	NPT 2-1/2"	43.5-50.1	79.8 / 19.2	75	4	1187730000
A2LCS/63S/NPT2-NPT2F-WM	2" NPT	NPT 2"	43.5-50.1	79.8 / 19.2	75	4	1187640000
<b>Note</b>							

# Safeguard processes in potentially explosive atmospheres

## Ex cable glands for safe devices as per EN 60079-0:2012 + A11 : 2013

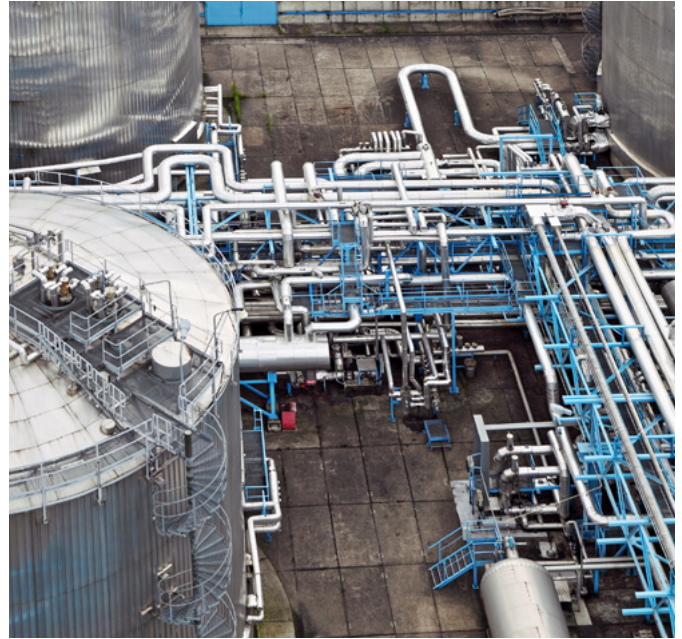
The environmental conditions in many industry and explosion-proof applications pose a real challenge for the system components. Dust, vibrations, moisture and extreme temperatures all have an impact on the installed devices and the cable glands must also be able to withstand these stresses too.

Ex cable glands from Weidmüller guarantee process reliability in demanding environments. They are designed such that they can be used universally in any enclosure series. They are also just as easy to use in both high and low-temperature environments.

With impact resistance of 7 Joules, the explosion-proof polyamide cable glands offer extremely high levels of protection against external influences such as shocks or impacts. Together with their suitability for use in an extended temperature range and their proven conformity with current standards, these cable glands ensure safe and reliable functioning in a wide range of applications.

### Your special advantages:

**Impact and temperature resistant:** The cable glands for use in areas at risk of explosion can withstand extreme temperature conditions. They are impact-resistant up to 7 Joules and can be used in any Weidmüller enclosures, guaranteeing versatile applicability with full standard conformity.



In process-intensive industries such as petrochemistry, energy production, machine construction, motor and drive technology and device components which are subjected to extremely high stresses. The cable glands can withstand even the harshest environmental conditions. Guarantee impact-resistance of up to 7 Joules over an extended temperature range.

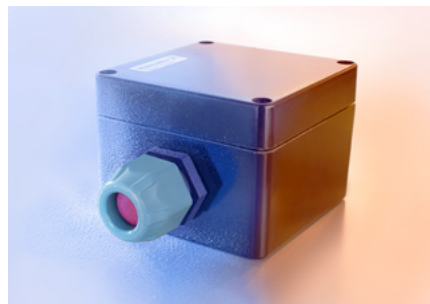
**Flexible application**

Available in 8 standard sizes from M12 to M63 (additional thread types on request) and with 14 different clamping ranges, the new range of cable glands is suitable for an extremely wide range of applications.



**Resistant to high temperatures**

The cable glands have an operating temperature range of -40 °C to +70 °C with a chloroprene seal, and a range of as wide as -60 °C to +70 °C with a silicone seal.



**D**



**Extremely impact-resistant**

With impact resistance of 7 Joules, the explosion-proof cable glands offer extremely high levels of protection against external influences such as shocks or impacts, in accordance with EN 60079-0:2012 + A11 : 2013.



**Comprehensive approvals**

Whether for Ex e or Ex i applications: The plastic cable glands comply consistently with EN 60079-0:2012 + A11 : 2013 and are approved in accordance with ATEX, IECEx, EAC, and DNV GL.

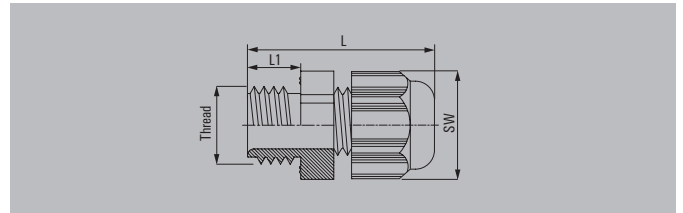


## Ex-cable glands - Plastic

## Ex cable glands - Plastic - Ex e, Ex i, IP66 / IP68, 7J, -40°C - +70°C



Plastic cable gland for Ex applications with integrated strain relief, especially for Ex e and Ex i applications with chloroprene seal and 7 Joule impact resistance. Complete with integral membrane seal for clean transportation and storage.



## Technical data

Material	Polyamide 6
Temperature range	-40 °C...70 °C
Seal insert	CR
Protection class	IP54, IP66, IP67, IP68 - 5 bar (30 min.)
Impact resistance	7 joules in acc. with IEC 60079-0
Marking	Ex eb IIC Gb, Ex tb IIC Db IP66/68
<b>Note</b>	Length "L" depends on the cable diameter used.

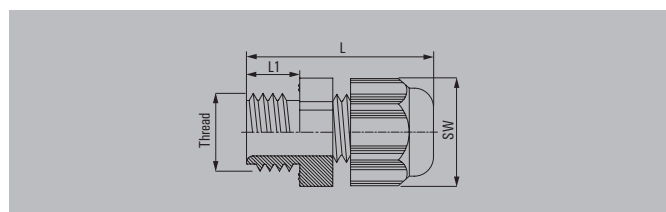
## Ordering data

Type	Thread	KB	L/L1	SW	Qty.	Order No.
<b>Ex e, deep black</b>						
VG M12 EXE 4-6.5 CR7J G4	M 12	4-6.5 mm	22 / 10 mm	15 mm	100	2721930000
VG M16 EXE 5-8 CR7J G4	M 16	5-8 mm	26 / 10 mm	19 mm	50	2721940000
VG M16 EXE 6-10 CR7J G4	M 16	6-10 mm	29.5 / 10 mm	22 mm	50	2721950000
VG M20 EXE 7-12 CR7J G4	M 20	7-12 mm	30 / 10 mm	24 mm	50	2721960000
VG M20 EXE 7-13 CR7J G4	M 20	7-13 mm	33 / 10 mm	25 mm	50	2721970000
VG M20 EXE 11-14 CR7J G4	M 20	11-14 mm	30 / 10 mm	27 mm	50	2721980000
VG M25 EXE 12-17 CR7J G4	M 25	12-17 mm	34 / 10 mm	29 mm	50	2721990000
VG M25 EXE 14-18 CR7J G4	M 25	14-18 mm	35 / 10 mm	33 mm	25	2722000000
VG M32 EXE 16-21 CR7J G4	M 32	16-21 mm	42 / 10 mm	36 mm	25	2722010000
VG M32 EXE 19-25 CR7J G4	M 32	19-25 mm	40.5 / 15 mm	42 mm	20	2722020000
VG M40 EXE 20-28 CR7J G4	M 40	20-28 mm	46 / 10 mm	46 mm	15	2722030000
VG M40 EXE 23-32 CR7J G4	M 40	23-32 mm	50 / 18 mm	53 mm	10	2722040000
VG M50 EXE 31-38 CR7J G4	M 50	31-38 mm	54 / 18 mm	60 mm	10	2722050000
VG M63 EXE 35-44 CR7J G4	M 63	35-44 mm	54 / 18 mm	65 mm	10	2722060000
<b>Ex i, light blue, deep black</b>						
VG M12 EXI 4-6.5 CR7J G4	M 12	4-6.5 mm	22 / 10 mm	15 mm	100	2722210000
VG M16 EXI 5-8 CR7J G4	M 16	5-8 mm	26 / 10 mm	19 mm	50	2722220000
VG M16 EXI 6-10 CR7J G4	M 16	6-10 mm	29.5 / 10 mm	22 mm	50	2722230000
VG M20 EXI 7-12 CR7J G4	M 20	7-12 mm	30 / 10 mm	24 mm	50	2722240000
VG M20 EXI 7-13 CR7J G4	M 20	7-13 mm	33 / 10 mm	25 mm	50	2722250000
VG M20 EXI 11-14 CR7J G4	M 20	11-14 mm	30 / 10 mm	27 mm	50	2722260000
VG M25 EXI 12-17 CR7J G4	M 25	12-17 mm	34 / 10 mm	29 mm	50	2722270000
VG M25 EXI 14-18 CR7J G4	M 25	14-18 mm	35 / 10 mm	33 mm	25	2722280000
VG M32 EXI 16-21 CR7J G4	M 32	16-21 mm	42 / 10 mm	36 mm	25	2722290000
VG M32 EXI 19-25 CR7J G4	M 32	19-25 mm	40.5 / 15 mm	42 mm	20	2722300000
VG M40 EXI 20-28 CR7J G4	M 40	20-28 mm	46 / 10 mm	46 mm	15	2722310000
VG M40 EXI 23-32 CR7J G4	M 40	23-32 mm	50 / 18 mm	53 mm	10	2722320000
VG M50 EXI 31-38 CR7J G4	M 50	31-38 mm	54 / 18 mm	60 mm	10	2722330000
VG M63 EXI 35-44 CR7J G4	M 63	35-44 mm	54 / 18 mm	65 mm	10	2722340000
<b>Note</b>	Installation specifications and tightening torques can be found in the installation instructions. For further information please use our online catalogue: <a href="http://catalog.weidmueller.com">catalog.weidmueller.com</a>					

## Ex cable glands – Plastic – Ex e, Ex i, IP66 / IP68, 7J, -60°C – +70°C



Plastic cable gland for Ex applications with integrated strain relief, especially for Ex e and Ex i applications with silicone seal and 7 Joule impact resistance. Complete with integral membrane seal for clean transportation and storage.



## Technical data

Material	Polyamide 6
Temperature range	-60 °C...70 °C
Seal insert	Silicone
Protection class	IP54, IP66, IP67, IP68 - 5 bar (30 min.)
Impact resistance	7 joules in acc. with IEC 60079-0
Marking	Ex eb IIC Gb, Ex tb IIC Db IP66/68
<b>Note</b>	Length "L" depends on the cable diameter used.

## Ordering data

Type	Thread	KB	L/L1	SW	Qty.	Order No.
<b>Ex e, deep black</b>						
VG M12 EXE 4-6.5 SI7J G4	M 12	4-6.5 mm	22 / 10 mm	15 mm	100	2722070000
VG M16 EXE 5-8 SI7J G4	M 16	5-8 mm	26 / 10 mm	19 mm	50	2722080000
VG M16 EXE 6-10 SI7J G4	M 16	6-10 mm	29.5 / 10 mm	22 mm	50	2722090000
VG M20 EXE 7-12 SI7J G4	M 20	7-12 mm	30 / 10 mm	24 mm	50	2722100000
VG M20 EXE 7-13 SI7J G4	M 20	7-13 mm	33 / 10 mm	25 mm	50	2722110000
VG M20 EXE 11-14 SI7J G4	M 20	11-14 mm	30 / 10 mm	27 mm	50	2722120000
VG M25 EXE 12-17 SI7J G4	M 25	12-17 mm	34 / 10 mm	29 mm	50	2722130000
VG M25 EXE 14-18 SI7J G4	M 25	14-18 mm	35 / 10 mm	33 mm	25	2722140000
VG M32 EXE 16-21 SI7J G4	M 32	16-21 mm	42 / 10 mm	36 mm	25	2722150000
VG M32 EXE 19-25 SI7J G4	M 32	19-25 mm	40.5 / 15 mm	42 mm	20	2722160000
VG M40 EXE 20-28 SI7J G4	M 40	20-28 mm	46 / 10 mm	46 mm	15	2722170000
VG M40 EXE 23-32 SI7J G4	M 40	23-32 mm	50 / 18 mm	53 mm	10	2722180000
VG M50 EXE 31-38 SI7J G4	M 50	31-38 mm	54 / 18 mm	60 mm	10	2722190000
VG M63 EXE 35-44 SI7J G4	M 63	35-44 mm	54 / 18 mm	65 mm	10	2722200000
<b>Ex i, light blue, deep black</b>						
VG M12 EXI 4-6.5 SI7J G4	M 12	4-6.5 mm	22 / 10 mm	15 mm	100	2722350000
VG M16 EXI 5-8 SI7J G4	M 16	5-8 mm	26 / 10 mm	19 mm	50	2722360000
VG M16 EXI 6-10 SI7J G4	M 16	6-10 mm	29.5 / 10 mm	22 mm	50	2722370000
VG M20 EXI 7-12 SI7J G4	M 20	7-12 mm	30 / 10 mm	24 mm	50	2722380000
VG M20 EXI 7-13 SI7J G4	M 20	7-13 mm	33 / 10 mm	25 mm	50	2722390000
VG M20 EXI 11-14 SI7J G4	M 20	11-14 mm	30 / 10 mm	27 mm	50	2722400000
VG M25 EXI 12-17 SI7J G4	M 25	12-17 mm	34 / 10 mm	29 mm	50	2722410000
VG M25 EXI 14-18 SI7J G4	M 25	14-18 mm	35 / 10 mm	33 mm	25	2722420000
VG M32 EXI 16-21 SI7J G4	M 32	16-21 mm	42 / 10 mm	36 mm	25	2722430000
VG M32 EXI 19-25 SI7J G4	M 32	19-25 mm	40.5 / 15 mm	42 mm	20	2722440000
VG M40 EXI 20-28 SI7J G4	M 40	20-28 mm	46 / 10 mm	46 mm	15	2722450000
VG M40 EXI 23-32 SI7J G4	M 40	23-32 mm	50 / 18 mm	53 mm	10	2722460000
VG M50 EXI 31-38 SI7J G4	M 50	31-38 mm	54 / 18 mm	60 mm	10	2722470000
VG M63 EXI 35-44 SI7J G4	M 63	35-44 mm	54 / 18 mm	65 mm	10	2722480000

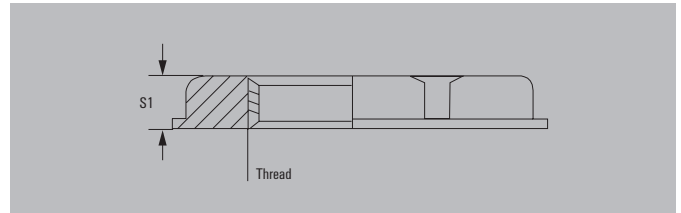
**Note** Installation specifications and tightening torques can be found in the installation instructions. For further information please use our online catalogue: [catalog.weidmueller.com](http://catalog.weidmueller.com)

## Accessories – Lock nuts

## Lock nuts – Plastic 7035



For fastening cable glands and accessories if no threaded hole is available. With circumferential collar to prevent damage to the substrate during installation.



## Technical data

Material / Colour	Polyamid 6 (PA6 - GF30) / Light Grey / RAL 7035
Temperature range	-40 °C...100 °C
Flammability rating	HB
<b>Note</b>	

## Ordering data

Type	Thread	S1	SW	Qty.	Order No.
<b>metric</b>					
SKMU M12 - K GR	M 12	5.00	18	100	1772440000
SKMU M16 - K GR	M 16	5.00	22	100	1772450000
SKMU M20 - K GR	M 20	6.00	26	100	1772460000
SKMU M25 - K GR	M 25	6.00	32	100	1772470000
SKMU M32 - K GR	M 32	7.00	41	100	1772480000
SKMU M40 - K GR	M 40	7.00	50	50	1772490000
SKMU M50 - K GR	M 50	8.00	60	10	1772500000
SKMU M63 - K GR	M 63	8.00	75	10	1772510000
<b>PG</b>					
SKMU PG7-K GR	PG 7	5.00	19	100	1697440000
SKMU PG9-K GR	PG 9	5.00	22	100	1697450000
SKMU PG11-K GR	PG 11	5.00	24	100	1697460000
SKMU PG 13,5-K GR	PG 13.5	6.00	27	100	1697470000
SKMU PG16-K GR	PG 16	6.00	30	100	1697480000
SKMU PG21-K GR	PG 21	7.00	36	100	1698220000
SKMU PG29-K GR	PG 29	7.00	46	50	1698230000
SKMU PG36-K GR	PG 36	8.00	60	25	1698240000
SKMU PG42-K GR	PG 42	8.00	65	25	1698250000
SKMU PG48-K GR	PG 48	8.00	70	25	1719090000

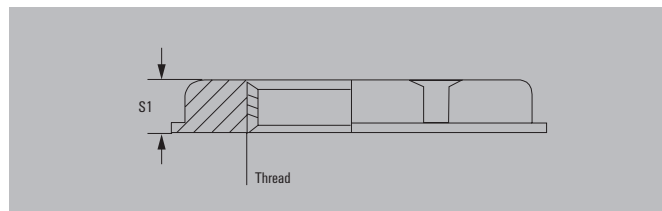
**Note** Further versions on request.



Lock nuts – Plastic 9005



Lock nuts with collar for preventing enclosure damage on installation. These are used to secure plastic cable glands and blanking plugs - recommended for Ex e and Ex i plastic cable glands.



Technical data

Material / Colour	Polyamid 6 (PA6 - GF30) / Deep black / RAL 9005
Temperature range	-40 °C...100 °C
Flammability rating	HB
<b>Note</b>	Accessories for Ex cable glands are not subject to approval.

Ordering data

Type	Thread	S1	SW	Qty.	Order No.
<b>metric</b>					
SKMU M12 K SW	M 12	5.00	18	100	1806540000
SKMU M16 K SW	M 16	5.00	22	100	1736920000
SKMU M20 K SW	M 20	6.00	26	100	1736930000
SKMU M25 K SW	M 25	6.00	32	25	1736940000
SKMU M32 K SW	M 32	7.00	41	100	1736950000
SKMU M40 K SW	M 40	7.00	50	10	1736960000
SKMU M50 K SW	M 50	8.00	60	5	1736970000
SKMU M63 K SW	M 63	8.00	75	5	1736980000
<b>PG</b>					
SKMU PG7-K SW	PG 7	5.00	19	100	1719100000
SKMU PG9-K SW	PG 9	5.00	22	50	1719110000
SKMU PG11-K SW	PG 11	5.00	24	50	1719120000
SKMU PG13,5-K SW	PG 13.5	6.00	27	50	1719130000
SKMU PG16-K SW	PG 16	6.00	30	100	1719140000
SKMU PG21-K SW	PG 21	7.00	36	100	1719150000
SKMU PG29-K SW	PG 29	7.00	46	20	1719160000
SKMU PG36-K SW	PG 36	8.00	60	10	1719170000
SKMU PG42-K SW	PG 42	8.00	65	25	1719180000
SKMU PG48-K SW	PG 48	8.00	70	25	1719190000

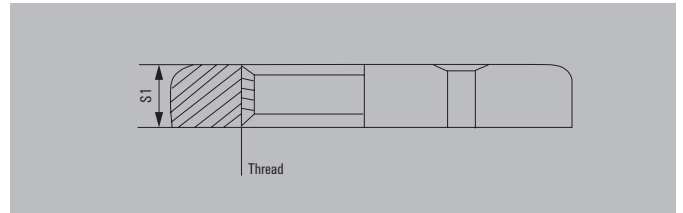
<b>Note</b>	Further versions on request.
-------------	------------------------------

## Accessories – Lock nuts

## Lock nuts – Brass – nickel-plated



For fastening cable glands and accessories if no threaded hole is available. Recommended when working with Ex applications.



## Technical data

Material	Brass, nickel-plated
Note	

## Ordering data

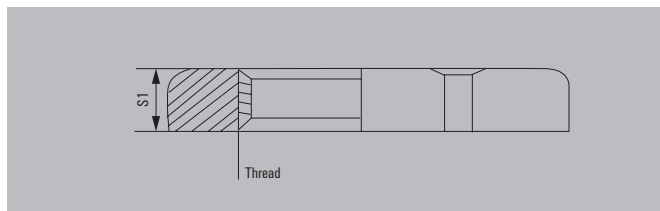
Type	Thread	S1	SW	Qty.	Order No.
<b>metric</b>					
SKMU M12 MS	M 12	2.8	15	100	1772360000
SKMU M16 MS	M 16	2.8	19	100	1736990000
SKMU M20 MS	M 20	3	24	100	1737000000
SKMU M25 MS	M 25	3.5	30	100	1737010000
SKMU M32 MS	M 32	4	36	100	1737020000
SKMU M40 MS	M 40	5	46	50	1737030000
SKMU M50 MS	M 50	5	57	25	1737040000
SKMU M63 MS	M 63	6	70	25	1737050000
SKMU M75 MS	M 75	7	80	5	1737060000
<b>PG</b>					
SKMU PG7-MS	PG 7	2.8	15	100	1694070000
SKMU PG9-MS	PG 9	2.8	18	100	1694080000
SKMU PG11-MS	PG 11	3	21	100	1694090000
SKMU PG13,5-MS	PG 13.5	3	23	100	1694100000
SKMU PG16-MS	PG 16	3	26	100	1694110000
SKMU PG21-MS	PG 21	3.5	32	100	1719200000
SKMU PG29-MS	PG 29	4	41	50	1719210000
SKMU PG36-MS	PG 36	5	51	50	1719220000
SKMU PG42-MS	PG 42	5	60	25	1719230000
SKMU PG48-MS	PG 48	5.5	64	10	1719240000

Note Further versions on request.

Lock nuts – Brass – natural



For fastening cable glands and accessories if no threaded hole is available. Recommended when working with Ex applications.



Technical data

Material	Brass
Note	

Ordering data

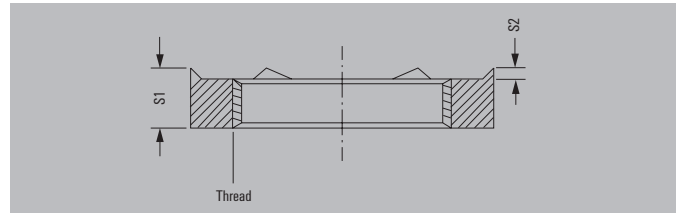
Type	Thread	S1	SW	Qty.	Order No.
metric					
SKMU M16 MS SC	M 16	4	22	50	0930640001
SKMU M20 MS SC	M 20	4	24	50	0930640002
SKMU M25 MS SC	M 25	4	30	25	0930640003
SKMU M32 MS SC	M 32	4	40	20	0930640004
SKMU M40 MS SC	M 40	4.8	46	10	0930640005
SKMU M50 MS SC	M 50	5	65	5	0930640006
SKMU M63 MS SC	M 63	6.4	80	5	0930640007
SKMU M75 MS SC	M 75	7	90	5	0930640008
Note					

## Accessories – Lock nuts

## Lock nuts – Brass – EMC



For fastening cable glands and accessories if no threaded hole is available. Specially equipped with 6 edges which contact the enclosure when the lock nut is tightened.



## Technical data

Material Brass, nickel-plated

## Note

## Ordering data

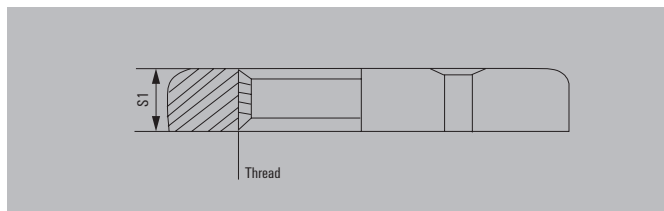
Type	Thread	S1	SW	Qty.	Order No.
<b>metric</b>					
SKMU EMV M12	M 12	3.6	15	100	1777610000
SKMU EMV M16	M 16	3.6	19	100	1777620000
SKMU EMV M20	M 20	3.6	24	100	1777630000
SKMU EMV M25	M 25	3.6	30	50	1777640000
SKMU EMV M32	M 32	4.1	36	50	1777650000
SKMU EMV M40	M 40	4.6	46	10	1777660000
SKMU EMV M50	M 50	4.6	60	10	1777670000
SKMU EMV M63	M 63	6.6	70	10	1777680000
<b>PG</b>					
SKMU EMV PG7	PG 7	4.7	15	20	1718900000
SKMU EMV PG9	PG 9	4.7	18	20	1718910000
SKMU EMV PG11	PG 11	4.7	21	20	1718920000
SKMU EMV PG13,5	PG 13,5	4.7	23	10	1718930000
SKMU EMV PG16	PG 16	4.7	26	10	1718940000
SKMU EMV PG21	PG 21	5.2	32	10	1718950000
SKMU EMV PG29	PG 29	5.7	41	15	1718960000
SKMU EMV PG 36	PG 36	4.6	51	1	1777710000
SKMU EMV PG 48	PG 48	5.6	64	1	1777690000

Note Further versions on request.

Lock nuts – Stainless steel



For fastening cable glands and accessories if no threaded hole is available. Recommended for Ex applications.



Technical data

Material	Stainless steel 1.4404
Note	

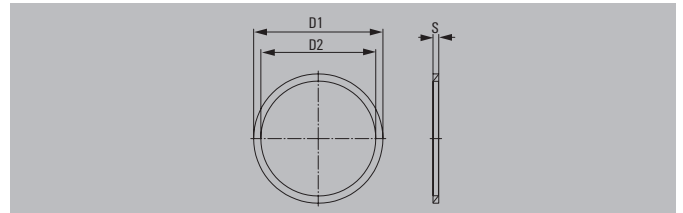
Ordering data

Type	Thread	S1	SW	Qty.	Order No.
metric					
SKMUS M16-W	M 16	2.80	20	240	1185680000
SKMUS M20-W	M 20	3.00	24	240	1185690000
SKMUS M25-W	M 25	3.00	30	240	1185700000
SKMUS M32-W	M 32	4.00	38	144	1185710000
SKMUS M40-W	M 40	4.50	46	144	1185720000
SKMUS M50-W	M 50	5.00	60	30	1185730000
SKMUS M63-W	M 63	6.00	75	20	1185740000
Note					

Flat IP washer – Standard – Polyethylene



For better sealing of the connection thread of a cable gland or accessory.



Technical data

Material / Colour	Polyethylene / Transparent
Temperature range	-30 °C...90 °C
<b>Note</b>	

Ordering data

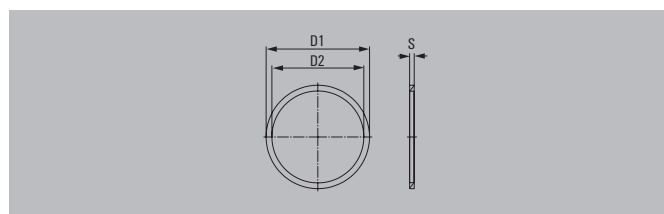
Type	Thread	D1	D2	S	Qty.	Order No.
<b>metric</b>						
GWDR M12-PO	M 12	16.00	12.00	2	50	1777920000
GWDR M16-PO	M 16	20.00	16.00	2	50	1777930000
GWDR M20-PO	M 20	24.00	20.00	2	100	1777940000
GWDR M25-PO	M 25	29.00	25.00	2	50	1777950000
GWDR M32-PO	M 32	36.00	32.00	2	50	1777960000
GWDR M40-PO	M 40	45.00	40.00	2	50	1777970000
GWDR M50-PO	M 50	56.00	50.00	2	50	1777980000
GWDR M63-PO	M 63	70.00	63.00	2	50	1777990000
<b>PG</b>						
GWDR PG7-PO	PG 7	16.50	12.50	2	100	1719440000
GWDR PG9-PO	PG 9	19.00	15.20	2	100	1719450000
GWDR PG11-PO	PG 11	22.50	18.60	2	100	1719460000
GWDR PG13,5-PO	PG 13.5	25.00	20.40	2	100	1719470000
GWDR PG16-PO	PG 16	27.00	22.50	2	100	1719480000
GWDR PG21-PO	PG 21	33.50	28.30	3	100	1719490000
GWDR PG29-PO	PG 29	43.50	37.00	3	50	1719500000
GWDR PG36-PO	PG 36	55.00	47.00	3	50	1719510000
GWDR PG42-PO	PG 42	63.00	54.00	3	10	1719520000
GWDR PG48-PO	PG 48	69.00	59.30	3	5	1719530000

<b>Note</b>	Further versions on request.
-------------	------------------------------

## Flat IP washer – Standard – Neoprene



For better sealing of the connection thread of a cable gland or accessory.



## Technical data

Material / Colour	Neoprene / Deep black
Temperature range	-40 °C...100 °C
<b>Note</b>	

## Ordering data

Type	Thread	D1	D2	S	Qty.	Order No.
<b>metric</b>						
GWDR M12-NP	M 12	18.00	12.00	1.20	50	1913320000
GWDR M16-NP	M 16	22.00	16.00	1.20	50	1736230000
GWDR M20-NP	M 20	24.00	20.00	1.20	50	1736240000
GWDR M25-NP	M 25	30.00	25.00	1.50	100	1736250000
GWDR M32-NP	M 32	42.00	32.00	1.50	50	1736260000
GWDR M40-NP	M 40	52.00	40.00	1.50	20	1736270000
GWDR M50-NP	M 50	63.00	50.00	1.50	20	1736280000
GWDR M63-NP	M 63	77.00	63.00	2.00	10	1736290000
<b>PG</b>						
GWDR PG7-NP	PG 7	17.00	11.60	1.20	100	1719540000
GWDR PG9-NP	PG 9	21.00	14.00	1.20	100	1719550000
GWDR PG11-NP	PG 11	24.00	17.00	1.20	100	1719560000
GWDR PG13,5-NP	PG 13.5	27.00	19.50	1.20	100	1719570000
GWDR PG16-NP	PG 16	30.00	22.50	1.20	100	1719580000
GWDR PG21-NP	PG 21	35.00	28.30	1.50	100	1719590000
GWDR PG29-NP	PG 29	45.00	37.00	1.50	50	1719600000
GWDR PG36-NP	PG 36	60.00	47.00	1.50	20	1719610000
GWDR PG42-NP	PG 42	65.00	54.00	1.50	10	1719620000
GWDR PG48-NP	PG 48	71.00	59.30	1.50	5	1719630000

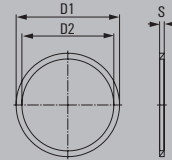
**Note** Further versions on request.

## Accessories – Flat IP washer

## Flat IP washer – Standard – Nylon



For better sealing of the connection thread of a cable gland or accessory.



### D

**Technical data**

Material / Colour	Nylon 6 / white / RAL 9010
Temperature range	-50 °C...120 °C
<b>Note</b>	

**Ordering data**

Type	Thread	D1	D2	S	Qty.	Order No.
<b>metric</b>						
GWDR M16-W	M 16	26	16.30	2.00	100	1185600000
GWDR M20-W	M 20	30	20.30	2.00	100	1185610000
GWDR M25-W	M 25	38	25.30	2.00	100	1185620000
GWDR M32-W	M 32	46	32.30	2.00	160	1185630000
GWDR M40-W	M 40	55	40.30	2.00	50	1185640000
GWDR M50-W	M 50	65	50.30	2.00	25	1185650000
GWDR M63-W	M 63	80	63.30	2.00	10	1185670000

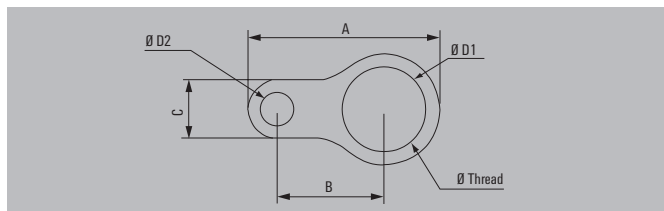
<b>Note</b>	
-------------	--



Accessories – Earth tags – Brass



Earth tags are best used when a cable shielding is being tightened onto the cable gland, and when it has the same potential as another cable gland on the enclosure.



Technical data

Material	Brass, nickel-plated
Note	

Ordering data

Type	Thread	A	B	C	D1	D2	Qty.	Order No.
<b>metric, nickel-plated brass</b>								
EA-RING MS/M 16	M 16	48.75	30.00	13.00	24.5	6.75	20	1736480000
EA-RING MS/M 20	M 20	53.8	33.00	13.00	28.6	7.00	20	1736490000
EA-RING MS/M 25	M 25	61.5	36.00	17.00	34	10.50	20	1736500000
EA-RING MS/M 32	M 32	73	41.00	22.00	42	12.20	20	1736510000
EA-RING MS/M 40	M 40	86.5	44.50	30.00	54	13.50	10	1736520000
EA-RING MS/M 50	M 50	111.5	58.00	40.00	67	13.50	10	1736530000
EA-RING MS/M 63	M 63	125.5	67.00	40.00	77	13.50	10	1736540000
EA-RING MS/M 75	M 75	137.5	73.00	40.00	89	13.50	10	1736550000
<b>metric, brass natural</b>								
EA-RING MS/M16 SC	M 16	50.8	31.80	12.80	25.4	6.90	20	0930710001
EA-RING MS/M20 SC	M 20	54	33.00	12.80	28.6	6.90	20	0930710002
EA-RING MS/M25 SC	M 25	60.2	36.50	12.80	34.8	6.90	20	0930710003
EA-RING MS/M32 SC	M 32	74.6	42.50	22.30	44.6	11.80	20	0930710004
EA-RING MS/M40 SC	M 40	86.7	45.40	31.70	53	13.50	10	0930710005
EA-RING MS/M50 SC	M 50	111	58.10	41.30	65.2	13.50	10	0930710006
EA-RING MS/M63 SC	M 63	128.7	66.80	41.30	82.6	13.50	10	0930710007
EA-RING MS/M75 SC	M 75	141.3	73.00	41.30	95.3	13.50	10	0930710008

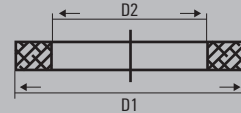
Note	Further versions on request.
------	------------------------------

## Accessories - Washers

## Accessories - Serrated washers, Stainless steel



Serrated stainless-steel washers to prevent mounted cable glands from loosening. Can also be used to roughen painted or passivated surfaces.



## D

**Technical data**

Material	Stainless steel 1.4404 (316L)
Note	

**Ordering data**

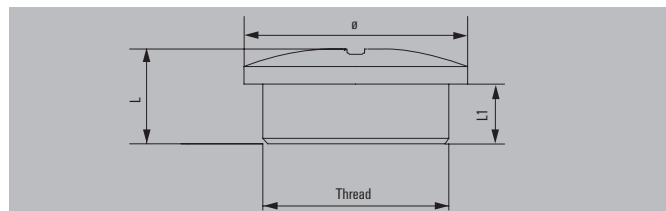
Type metric	Thread	D1	D2	Qty.	Order No.
SZS M16	M 16	25.5	17.30	50	1736300000
SZS M20	M 20	32.4	21.30	10	1736310000
SZS M25	M 25	37.4	25.30	10	1736320000
SZS M32	M 32	48	33.00	10	1736330000
SZS M40	M 40	60	41.00	5	1736340000
SZS M50	M 50	71	51.00	5	1736350000
SZS M63	M 63	87	64.00	5	1736360000

Note

## Blanking plugs – Plastic



Plastic blanking plug with cross-head is used to seal surplus threaded holes and to maintain the IP protection degree.



## Technical data

Material / Colour	Polyamid 6 (PA6 - GF30) / Light Grey / RAL 7035
Temperature range	-40 °C...100 °C
Protection class	IP54
Flammability rating	V-2
<b>Note</b>	Optional sealing ring.

## Ordering data

Type	Thread	L	L1	Head Ø	Qty.	Order No.
<b>metric</b>						
VP M12 K54	M 12	5.5	6	15.00	100	1776930000
VP M16 K54	M 16	5.5	7	20.00	100	1776920000
VP M20 K54	M 20	6.5	7	24.00	100	1776910000
VP M25 K54	M 25	7	10	30.00	100	1776900000
VP M32 K54	M 32	7	11	37.00	50	1776940000
VP M40 K54	M 40	7	13	46.00	25	1776950000
VP M50 K54	M 50	8.5	14	56.00	10	1776960000
VP M63 K54	M 63	8.5	15	69.50	50	1776970000
<b>PG</b>						
VP 7-K54	PG 7	8	6	15.00	100	1719250000
VP 9-K54	PG 9	9.5	5	19.00	100	0294760000
VP 11-K54	PG 11	10	6.5	22.00	100	0294860000
VP 13,5-K54	PG 13.5	10	5	25.00	100	0294960000
VP 16-K54	PG 16	10	5	27.00	100	0295060000
VP 21-K54	PG 21	12	8	33.00	50	0295160000
VP 29-K54	PG 29	11.5	8	44.00	25	0501160000
VP 36-K54	PG 36	14	10	55.00	10	0501260000
VP 42-K54	PG 42	14	10	62.00	5	0501360000
VP 48-K54	PG 48	16	12	69.00	5	1719260000

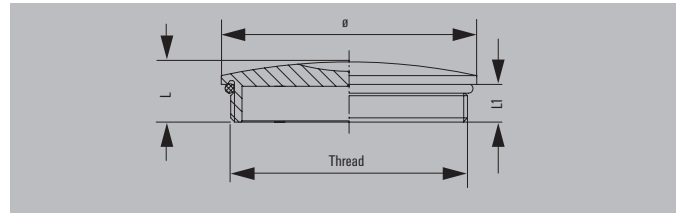
**Note** Other versions available on request. The blanking plugs must be tightened "hand-tight" with the screwdriver.

## Blanking plugs

## Blanking plugs – Brass – Nickel-plated



Brass blanking plug with cross-head is used to seal surplus threaded holes and to maintain the IP protection degree.



## Technical data

Material	Brass, nickel-plated
O-Ring	NBR
Temperature range	-40 °C...100 °C
Protection class	IP68 - 5 bar (30 min.)

## Note

## Ordering data

Type metric	Thread	L	L1	Head Ø	Qty.	Order No.
VP M12-MS65	M 12	7.5	5	14.00	100	1777720000
VP M16-MS65	M 16	8	5	18.00	100	1777730000
VP M20-MS65	M 20	9.5	6	22.00	100	1777740000
VP M25-MS65	M 25	11	7	28.00	100	1777750000
VP M32-MS65	M 32	12	8	35.00	50	1777760000
VP M40-MS65	M 40	13	8	44.00	50	1777770000
VP M50-MS65	M 50	15	9	54.00	25	1777780000
VP M63-MS65	M 63	16	10	67.00	10	1777790000
<b>PG</b>						
VP 7-MS65	PG 7	7.5	5	15.00	100	0521600000
VP 9-MS65	PG 9	8	5	18.00	100	0294700000
VP 11-MS65	PG 11	8	5	22.00	100	0294800000
VP 13,5-MS65	PG 13,5	9	6	24.00	100	0294900000
VP 16-MS65	PG 16	9	6	26.00	100	0295000000
VP 21-MS65	PG 21	10	6	32.00	50	0295100000
VP 29-MS65	PG 29	12	8	40.00	50	0501100000
VP 36-MS65	PG 36	15	9	50.00	25	0501200000
VP 42-MS65	PG 42	16	10	57.00	25	0501300000
VP 48-MS65	PG 48	16	10	64.00	10	1719270000

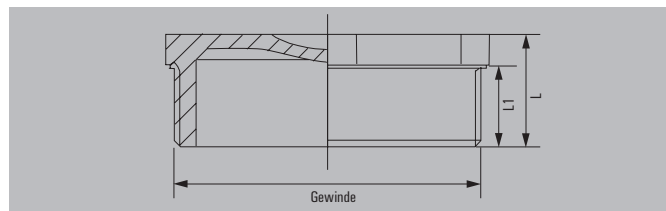
## Note

Other versions available on request. The blanking plugs must be tightened "hand-tight" with the screwdriver.

## Blanking plugs – Brass and Stainless steel – Ex e, Ex d, IP66 / IP68



The VP(S) series plugs provide a method of filling unused inlets in Ex equipment while maintaining flameproof Ex d and increased safety Ex e explosion protection and IP66/67/68 rating.



## Technical data

Material / Colour	Brass, nickel-plated / silver / RAL 7001
Operating temperature	-50 °C...120 °C
Protection class	IP66, IP68
Marking	II 2G 1D, Ex db IIC Gb, Ex eb IIC Gb, Ex ta IIIC Da
<b>Note</b>	

## Ordering data

Type	Thread	L	L1	SW	Qty.	Order No.
<b>Nickel-plated brass</b>						
VP-HEX M16-EX W	M 16 x 1.5	20	16	23	24	1218940000
VP-HEX M20-EX W	M 20 x 1.5	20	16	27	24	1218950000
VP-HEX M25-EX W	M 25 x 1.5	21	16	33	16	1218960000
VP-HEX M32-EX W	M 32 x 1.5	21	16	40	12	1218970000
VP-HEX M40-EX W	M 40 x 1.5	22	16	50	9	1218980000
VP-HEX M50-EX W	M 50 x 1.5	22	16	60	6	1218990000
VP-HEX M63-EX W	M 63 x 1.5	22	16	75	4	1219010000
<b>Stainless steel, rust-proof</b>						
VPS-HEX M16-EX W	M 16 x 1.5	20	16	23	24	1219020000
VPS-HEX M20-EX W	M 20 x 1.5	20	16	27	24	1219030000
VPS-HEX M25-EX W	M 25 x 1.5	21	16	33	16	1219040000
VPS-HEX M32-EX W	M 32 x 1.5	21	16	40	12	1219050000
VPS-HEX M40-EX W	M 40 x 1.5	22	16	50	9	1219060000
VPS-HEX M50-EX W	M 50 x 1.5	22	16	60	6	1219070000
VPS-HEX M63-EX W	M 63 x 1.5	22	16	75	4	1219080000

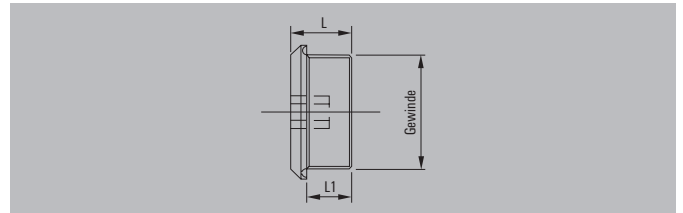
**Note**

## Ex-Blanking plugs

## Blanking plugs – Brass and Stainless steel – Ex e, Ex d, IP66 / IP68



The VP(S) series plugs provide a method of filling unused inlets in Ex equipment while maintaining flameproof Ex d and increased safety Ex e explosion protection and IP66/67/68 rating.



## Technical data

Material / Colour	Brass, nickel-plated / silver / RAL 7001
Operating temperature	-50 °C...120 °C
Protection class	IP66, IP68
Marking	II 2G 1D, Ex db IIC Gb, Ex eb IIC Gb, Ex ta IIIC Da
<b>Note</b>	

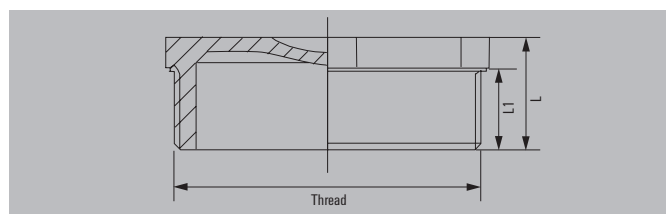
## Ordering data

Type	Thread	L	L1	Qty.	Order No.
<b>Nickel-plated brass</b>					
VP M16-EX W	M 16 x 1.5	21.5	16	24	1188470000
VP M20-EX W	M 20 x 1.5	21.5	16	24	1188480000
VP M25-EX W	M 25 x 1.5	21.5	16	16	1188490000
VP M32-EX W	M 32 x 1.5	21.5	16	12	1188500000
VP M40-EX W	M 40 x 1.5	21.5	16	12	1188510000
VP M50-EX W	M 50 x 1.5	21.5	16	6	1188520000
VP M63-EX W	M 63 x 1.5	21.5	16	40	1188530000
VP NPT3/4-EX W	3/4" NPT	16	16	24	1188550000
VP NPT1/2-EX W	1/2" NPT	15.5	15.5	24	1188540000
VP NPT1-EX W	1" NPT	19.5	19.5	16	1188560000
VP NPT1-1/4-EX W	1 1/4" NPT	20	20	12	1188570000
VP NPT1-1/2-EX W	1 1/2" NPT	20.5	20.5	12	1188580000
VP NPT2-EX W	2" NPT	21.5	21.5	6	1188590000
VP NPT2-1/2-EX W	2 1/2" NPT	31.5	31.5	40	1188600000
<b>Stainless steel, rust-proof</b>					
VPS M16-EX W	M 16 x 1.5	21.5	16	24	1188690000
VPS M20-EX W	M 20 x 1.5	21.5	16	24	1188700000
VPS M25-EX W	M 25 x 1.5	21.5	16	16	1188710000
VPS M32-EX W	M 32 x 1.5	21.5	16	12	1188720000
VPS M40-EX W	M 40 x 1.5	21.5	16	12	1188730000
VPS M50-EX W	M 50 x 1.5	21.5	16	6	1188740000
VPS M63-EX W	M 63 x 1.5	21.5	16	4	1188750000
VPS NPT1/2-EX W	1/2" NPT	15.5	15.5	24	1188760000
VPS NPT3/4-EX W	3/4" NPT	16	16	24	1188770000
VPS NPT1-EX W	1" NPT	19.5	19.5	16	1188780000
VPS NPT1-1/4-EX W	1 1/4" NPT	20	20	12	1188790000
VPS NPT1-1/2-EX W	1 1/2" NPT	20.5	20.5	12	1188800000
VPS NPT2-EX W	2" NPT	21.5	21.5	6	1188810000
VPS NPT2-1/2-EX W	2 1/2" NPT	31.5	31.5	4	1188820000
<b>Note</b>					

## Blanking plugs – Plastic – Ex e, IP66



For secure connection of unused screw-in threads or through-hole in enclosures. For Ex e applications with an impact resistance of 7 Joule in accordance with IEC 60079-0.



## Technical data

Material / Colour	Polyamide 6 / Deep black / RAL 9005
O-Ring	Silicone
Temperature range	-60 °C...70 °C
Protection class	IP54, IP66, IP67, IP68 - 5 bar (30 min.)
Impact resistance	7 joules in acc. with IEC 60079-0
Marking	Ex eb IIC Gb, Ex tb IIIC Db IP66/68
<b>Note</b>	

## Ordering data

Type	Thread	L	L1	SW	Qty.	Order No.
VP M12 EX SI 7J	M 12	15	10	15	100	2066710000
VP M16 EX SI 7J	M 16	16.3	12	19	100	2066720000
VP M20 EX SI 7J	M 20	17	11	23	100	2066730000
VP M25 EX SI 7J	M 25	15.8	10	28	100	2066740000
VP M32 EX SI 7J	M 32	22.8	15	36	100	2066750000
VP M40 EX SI 7J	M 40	26.5	18	46	20	2066760000
VP M50 EX SI 7J	M 50	27.5	18	55	20	2066770000
VP M63 EX SI 7J	M 63	27.5	18	69	20	2066940000

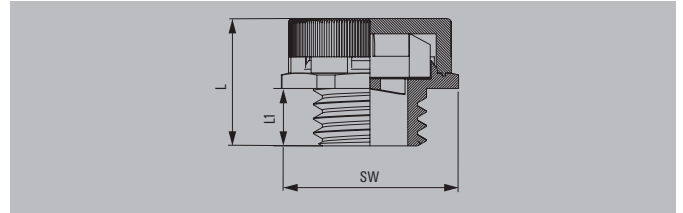
**Note** Installation specifications and tightening torques can be found in the installation instructions. For further information please use our online catalogue: [catalog.weidmueller.com](http://catalog.weidmueller.com).

## Compensating elements

## Compensation elements – Plastic – DAE



The DAE pressure-compensation element provides good ventilation for the enclosure and prevents moisture build-up. At the same time it maintains the high IP69k protection level. The membrane repels water and oil.



## D

## Technical data

Material / Colour	Polyamide 6 / Deep black / RAL 9005
O-Ring	NBR
Temperature range	-40 °C...105 °C
Protection class	IP66, IP68 (1 m / 60 min), IP69K
Air flow	0.8 l/min at 0.1 bar ΔP, up to 7.6 l/min at 1bar ΔP
Wasser inlet point	> 1.5 bar
UL 94 flammability rating	V-2
<b>Note</b>	

## Ordering data

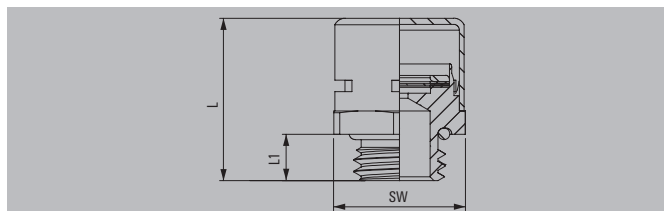
Type	Thread	L	L1	SW	Qty.	Order No.
DAE M12 PA LONG	M 12	17.4	10	17	10	1868570000
DAE M12 PA SHORT	M 12	13.4	6	17	10	1868560000
<b>Note</b>	Light grey version - RAL 7035 - on request.					



Compensation elements – Stainless steel – DAE



The DAE pressure-compensation element provides good ventilation for the enclosure and prevents moisture build-up. At the same time it maintains the high IP69k protection level. The membrane repels water and oil.



Technical data

Material	Stainless steel 1.4305 (303)
O-Ring	NBR
Temperature range	-40 °C...105 °C
Protection class	IP66, IP68 (1 m / 60 min), IP69K
Air flow	0.4 l/min at 0.1 bar ΔP, up to 5.0 l/min at 1bar ΔP
Wasser inlet point	> 1.5 bar
<b>Note</b>	

Ordering data

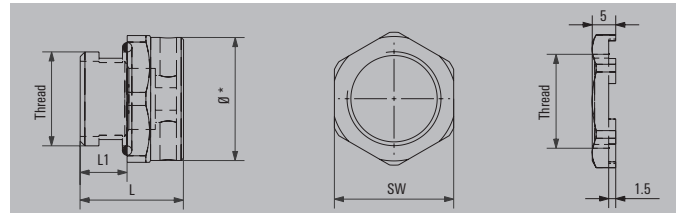
Type	Thread	L	L1	SW	Qty.	Order No.
metric						
DAEM12 SS	M 12	21.1	10	17	10	1868550000
<b>Note</b>						

## Ex-Compensating elements

## Breather drains – Klippon® BDX



The BDX compensating element is used for ventilating the enclosure and preventing a buildup of moisture, particularly in Ex applications.



## Technical data

Material	Brass / Stainless steel 1.4404 (316L)
Protection class	IP66
Impact resistance	7 J ATEX version
Filter	Bronze insert (90% copper, 10% tin)
Air flow	0.25 l / 1 h
Sealing	Silicone / O-Ring
Temperature range	-60 °C...200 °C
Colour	Natural
<b>Note</b>	

## Ordering data

Type	Material	Thread	L / L1	SW	*Diameter	Qty.	Order No.
KLIPPON BDX M20 B	Brass	M 20	22 / 10	27	26.20	1	2519520000
KLIPPON BDX M20 S	Stainless steel 1.4404 (316L)	M 20	22 / 10	27	26.20	1	2519550000
KLIPPON BDX M20X15 S	Stainless steel 1.4404 (316L)	M 20	22 / 15	27	26.20	1	2519570000
KLIPPON BDX M25 S	Stainless steel 1.4404 (316L)	M 25	22 / 10	32	31.00	1	2519590000

- Note**
- The breather-drain is only to be fitted on the bottom side of the enclosure, aligned vertically with the thread upwards, and at the lowest point to permit proper drainage.
  - The water flow rate has been tested by a water filled empty enclosure (no pressure or heat producing internal components). The water flow rate can slightly differ by influences from operational parameter and environmental conditions.
  - Installation specifications and torques can be found in the installation instructions.
  - For further information please use our online catalogue: [catalog.weidmueller.com](http://catalog.weidmueller.com).

## Adapter with NPT male threads – Brass, nickel-plated



The ADAP series adapters offer flexibility and versatility in re-using existing entries in Ex equipment, while flameproof Ex d and increased safety Ex e explosion protection and IP66/67/68 protection.

### Technical data

Material	Brass, nickel-plated
Operating temperature	-50 °C...120 °C
Protection class	IP66
Marking	II 2G 1D, Ex db IIC Gb, Ex eb IIC Gb, Ex ta IIIC Da

### Ordering data

External thread	1/2" NPT	3/4" NPT	1" NPT	1 1/4" NPT	1 1/2" NPT	2" NPT
Inner thread	Order No.	Order No.	Order No.	Order No.	Order No.	Order No.
M16	1263150000					
M20	1263170000	1263180000				
M25		1263190000	1263200000			
M32			1263210000	1263220000		
M40				1263230000	1263240000	
M50					1263250000	1263270000
1/2" NPT		1262480000				
3/4" NPT	1262470000		1262510000			
1" NPT		1262490000		1262530000		
1 1/4" NPT			1262520000		1262550000	
1 1/2" NPT		1424090000	1424110000	1262540000		1262570000
2" NPT					1262560000	

#### Note

## Adapter

## Adapter with metric male threads - Brass, nickel-plated



The ADAP series adapters offer flexibility and versatility in re-using existing entries in Ex equipment, while flameproof Ex d and increased safety Ex e explosion protection and IP66/67/68 protection.

## D

## Technical data

Material	Brass, nickel-plated
Operating temperature	-50 °C...120 °C
Protection class	IP66
Marking	II 2G 1D, Ex db IIC Gb, Ex eb IIC Gb, Ex ta IIIC Da

## Ordering data

External thread	M20	M16	M25	M32	M40	M50
Inner thread	Order No.	Order No.	Order No.	Order No.	Order No.	Order No.
M16	1262740000					
M20		1262730000	1262760000			
M25	1262750000			1262780000		
M32			1262770000		1262800000	
M40				1262790000		1262830000
M50					1262810000	
1/2" NPT	1262860000	1262840000	1262880000			
3/4" NPT	1262870000	1262850000	1262890000	1262910000		
1" NPT			1262900000	1262930000	1262960000	
1 1/4" NPT				1262940000	1262970000	1263000000
1 1/2" NPT				1262950000	1262980000	1263010000
2" NPT					1262990000	1263030000

## Note

## Adapter with NPT male threads – Stainless steel



The ADAP(S) series adapters offer flexibility and versatility in re-using existing entries in Ex equipment, while flameproof Ex d and increased safety Ex e explosion protection and IP66/67/68 protection.

### Technical data

Material	Stainless steel 1.4404
Operating temperature	-50 °C...120 °C
Protection class	IP66
Marking	II 2G 1D, Ex db IIC Gb, Ex eb IIC Gb, Ex ta IIIC Da

### Ordering data

External thread	1/2" NPT	3/4" NPT	1" NPT	1 1/4" NPT	1 1/2" NPT	2" NPT
Inner thread	Order No.	Order No.	Order No.	Order No.	Order No.	Order No.
M16	1262330000					
M20	1262340000	1262350000				
M25		1262370000	1262380000			
M32			1262390000	1262410000		
M40				1262420000	1262430000	
M50					1262440000	1262450000
1/2" NPT		1265650000				
3/4" NPT	1265640000		1265680000			
1" NPT		1265670000		1265700000		
1 1/4" NPT			1265690000		1265720000	
1 1/2" NPT				1265710000		1265740000
2" NPT					1265730000	

<b>Note</b>	
-------------	--

## Adapter

## Adapter with metric male threads - Stainless steel



The ADAP(S) series adapters offer flexibility and versatility in re-using existing entries in Ex equipment, while flameproof Ex d and increased safety Ex e explosion protection and IP66/67/68 protection.

## D

## Technical data

Material	Stainless steel 1.4404
Operating temperature	-50 °C...120 °C
Protection class	IP66
Marking	II 2G 1D, Ex db IIC Gb, Ex eb IIC Gb, Ex ta IIIC Da

## Ordering data

External thread	M20	M16	M25	M32	M40	M50
Inner thread	Order No.	Order No.	Order No.	Order No.	Order No.	Order No.
M16	1261920000					
M20		1261910000	1261940000			
M25	1261930000			1261960000		
M32			1261950000		1261980000	
M40				1261970000		1262010000
M50						1261990000
1/2" NPT	1262040000	1262020000	1262060000			
3/4" NPT	1262050000	1262030000	1262070000	1262090000		
1" NPT			1262080000	1262100000	1262130000	
1 1/4" NPT				1262110000	1262140000	1262180000
1 1/2" NPT				1262120000	1262150000	1262190000
2" NPT					1262170000	1262200000

## Note

# Cable entry system

<b>Cable entry system</b>	Cable Management - Cable Entry System - Cabtite	E.2
	Cable grommets	E.4
	Cable entry frames	E.5
	Divisible cable gland and accessories	E.7
	Cable Entry Plates	E.10

# Flexible and safe insertion of pre-assembled cables

## Cabtite – the modular system cable entry system

Managing pre-assembled cables is challenging for many plant manufacturers, especially when the cables run through cabinet or enclosure walls. A flexible cable entry system speeds up installation, facilitates service, and minimises downtime.

With the Cabtite cable entry system, maximal flexibility and time savings in cable management can be achieved. Assembled and unassembled cables in control cabinets, enclosures and machines are securely sealed and protected against tensile stress. The modular design consisting of a frame or cable gland, snap-in inlays and sealing elements allows quick configuration of cable entry cut-outs – without tools and with reliable sealing in IP66 according to DIN EN 60529.

### Your special advantages:

- Up to 50% more space and time saved thanks to greater flexibility
- High IP protection class (IP66) as well NEMA 4x and 12
- Integrated strain relief acc. to DIN EN 62444
- Installation safety through simple handling with acoustic feedback
- Preservation of the manufacturer's guarantee for pre-assembled cables
- Fast adaptation of cable management in the event of system changes, service and maintenance cases
- Up to 30% cost savings compared to conventional cable glands



Please use our website for further product information:

[www.weidmueller.com/cabtite](http://www.weidmueller.com/cabtite)



You can find this product family in our Weidmüller Configurator:

[www.weidmueller.de/wmc](http://www.weidmueller.de/wmc)



### Handling-Video:

Cabtite Cable Entry System  
Frame Solution

[www.weidmueller.com/handling-cabtite-fs](http://www.weidmueller.com/handling-cabtite-fs)



### Handling-Video:

Handling – Cabtite Cable Entry System  
separable retrofit Cable Gland Solution

[www.weidmueller.com/handling-cabtite-cgs](http://www.weidmueller.com/handling-cabtite-cgs)





#### Individual assembly

Whether with frames or with separable cable glands with inlay and sealing elements: the basic modular components guarantee maximal flexibility and a wide range of variants.



#### High reliability

One click informs the user about the correct installation and guarantees error-free operation. The foamed-in seals guarantee high IP and NEMA protection.



#### No loss of warranty

Due to the cut-in sealing elements, the cables and wires are precisely encased. Existing connectors do not have to be dismantled – and the manufacturer's warranty is maintained.

## Cable grommets

### Cabtite SE - Sealing element small



Cable grommets for ASI cables

The Cabtite SE sealing elements are used in the Cabtite FR frame or in the separable cable gland Cabtite CGS. The conical design allows easy installation, reliably seals gaps and provides strain relief in accordance with DIN EN 62444. For installation, the sealing elements are pressed from the inside to the outside into the snap-in inlays previously fitted in the frame or, in the case of the Cabtite CGS divisible cable gland, are placed between the cable gland half-shells. Various sealing elements with different cable diameters and geometries are available.

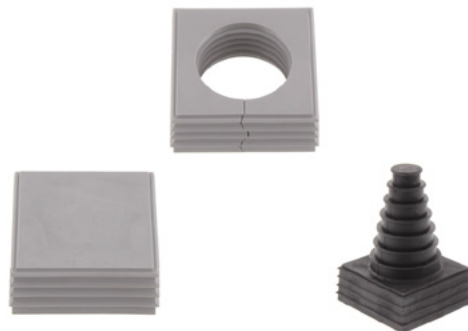
#### Technical data

Material	TPE
Halogen / Silicone	No / No
Operating temperature, min.	Light Grey: -40 °C; Deep black: -40 °C
Operating temperature, max.	Light Grey: 90 °C; Deep black: 120 °C
UL 94 flammability rating	Light Grey: V-0; Deep black: HB
<b>Note</b>	

#### Ordering data

Type	Clamping range	Qty.	Deep black Order No.	Light Grey Order No.
<b>Individual sealing elements</b>				
CABTITE SE 1.5-2 SML	1.5...2 mm	10	2584780000	2583360000
CABTITE SE 2-3 SML	2...3 mm	10	2584760000	2583380000
CABTITE SE 3-4 SML	3...4 mm	10	2584730000	2583400000
CABTITE SE 4-5 SML	4...5 mm	10	2584680000	2583440000
CABTITE SE 5-6 SML	5...6 mm	10	2584710000	2583450000
CABTITE SE 6-7 SML	6...7 mm	10	2584690000	2583460000
CABTITE SE 7-8 SML	7...8 mm	10	2584670000	2584660000
CABTITE SE 8-9 SML	8...9 mm	10	2584330000	2584650000
CABTITE SE 9-10 SML	9...10 mm	10	2584080000	2584630000
CABTITE SE 10-11 SML	10...11 mm	10	2584060000	2584610000
CABTITE SE 11-12 SML	11...12 mm	10	2584040000	2584600000
CABTITE SE 12-13 SML	12...13 mm	10	2584020000	2584590000
CABTITE SE 13-14 SML	13...14 mm	10	2584000000	2584570000
CABTITE SE 14-15 SML	14...15 mm	10	2583980000	2584560000
CABTITE SE 15-16 SML	15...16 mm	10	2583960000	2584550000
<b>Special geometry ASI</b>				
CABTITE SE 1/ASI SML		10	2583530000	2584810000
CABTITE SE 2/ASI SML		10	2583520000	2584800000
<b>Multiple sealing element</b>				
CABTITE SE 2/4-5 SML	4...5 mm	10	2583620000	2584900000
CABTITE SE 2/5-6 SML	5...6 mm	10	2583610000	2584890000
CABTITE SE 2/7 SML	7...8 mm	10	2583550000	2584830000
CABTITE SE 2/8 SML	8...9 mm	10	2583540000	2584820000
CABTITE SE 3/5-6 SML	5...6 mm	10	2652280000	2652290000
CABTITE SE 4/2-3 SML	2...3 mm	10	2583590000	2584870000
CABTITE SE 4/3-4 SML	3...4 mm	10	2583580000	2584860000
CABTITE SE 4/4-5 SML	4...5 mm	10	2583560000	2584840000
<b>Cone sealing element</b>				
CABTITE CSE 2-11 SML	2...11 mm	10	2583510000	
<b>Blind plugs</b>				
CABTITE BSE SML		10	2584790000	2583350000
<b>Note</b>				

### Cabtite SE - sealing elements large



Blanking plugs

Cone sealing element

The Cabtite SE sealing elements in large design are identical in construction to those in small design. However, they can accommodate cables with a larger outer diameter.

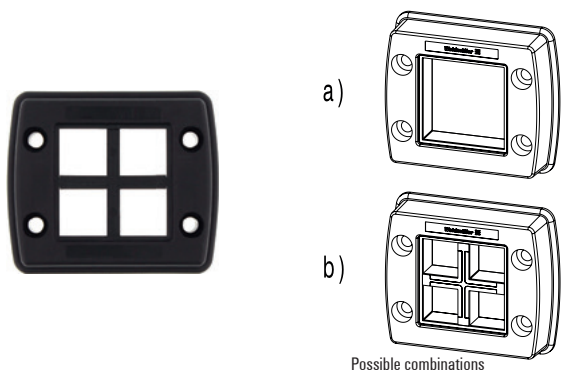
#### Technical data

Material	TPE
Halogen / Silicone	No / No
Operating temperature, min.	Deep black: -40 °C; Light Grey: -40 °C
Operating temperature, max.	Deep black: 120 °C; Light Grey: 90 °C
UL 94 flammability rating	Deep black: HB; Light Grey: V-0
<b>Note</b>	

#### Ordering data

Type	Clamping range	Qty.	Deep black Order No.	Light Grey Order No.
<b>Individual sealing elements</b>				
CABTITE SE 14-15 LRG	14...15 mm	10	2583880000	2584510000
CABTITE SE 15-16 LRG	15...16 mm	10	2583860000	2584500000
CABTITE SE 16-17 LRG	16...17 mm	10	2583850000	2584490000
CABTITE SE 17-18 LRG	17...18 mm	10	2583840000	2584480000
CABTITE SE 18-19 LRG	18...19 mm	10	2583830000	2584470000
CABTITE SE 19-20 LRG	19...20 mm	10	2583810000	2584460000
CABTITE SE 20-21 LRG	20...21 mm	10	2583790000	2584450000
CABTITE SE 21-22 LRG	21...22 mm	10	2583770000	2584440000
CABTITE SE 22-23 LRG	22...23 mm	10	2583750000	2584430000
CABTITE SE 23-24 LRG	23...24 mm	10	2583730000	2584420000
CABTITE SE 24-25 LRG	24...25 mm	10	2583710000	2584410000
CABTITE SE 25-26 LRG	25...26 mm	10	2583700000	2584400000
CABTITE SE 26-27 LRG	26...27 mm	10	2583690000	2584390000
CABTITE SE 27-28 LRG	27...28 mm	10	2583680000	2584370000
CABTITE SE 28-29 LRG	28...29 mm	10	2583670000	2584350000
CABTITE SE 29-30 LRG	29...30 mm	10	2583660000	2584380000
CABTITE SE 30-31 LRG	30...31 mm	10	2583650000	2584360000
CABTITE SE 31-32 LRG	31...32 mm	10	2583640000	2584340000
CABTITE SE 32-33 LRG	32...33 mm	10	2583630000	2584920000
CABTITE SE 33-34 LRG	33...34 mm	10	2595510000	2584910000
CABTITE SE 34-35 LRG	34...35 mm	10	2595520000	2595530000
<b>Cone sealing element</b>				
CABTITE CSE 7-24 LRG	7...24 mm	10	2583500000	
<b>Blind plugs</b>				
CABTITE BSE LRG		10	2583900000	2584520000
<b>Note</b>				

**Cabtite FR - CABTITE FR 4-1 BK SET**



The one-piece frame, consisting of a dimensionally stable, fibreglass-reinforced plastic, is quick and easy to assemble and available in four different sizes. The foamed, captive seal guarantees a high degree of impermeability to IP66, even with painted or rough surfaces. The frame sets contain the appropriate Rastinlays to realize the individual configuration (see above a or b) of small and large sealing elements. The sealing elements are not included in the frame set and must be selected to match the cable diameter.

**Technical data**

Material	Polyamide, glass fibre-reinforced
Colour	Deep black
Operating temperature	-40...120 °C
Protection class / Protection class (UL)	IP66 / Type 12, Type 4x
UL 94 flammability rating	V-0
<b>Note</b>	

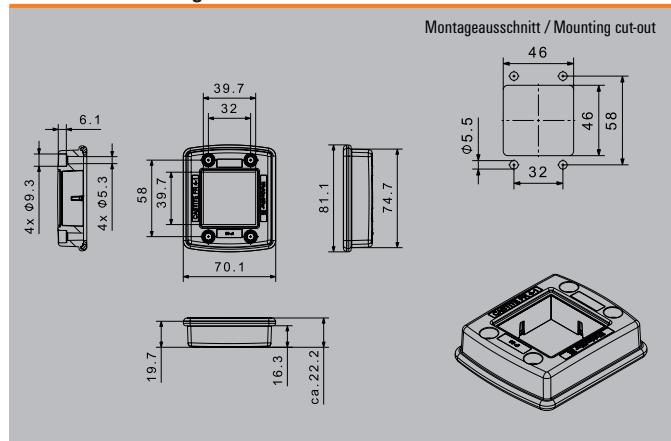
**Ordering data**

Type	Qty.	Order No.
<b>Set</b>		
CABTITE FR 4-1 BK SET	1	2583780000
<b>Single frame (without snap-in inlay)</b>		
CABTITE FR 4-1 BK	1	2583490000
<b>Note</b>	The individual frames do not contain any Rastinlays or sealing elements.	

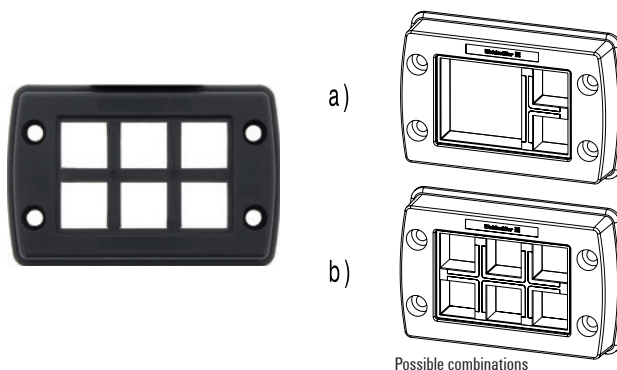
**Accessories**

Product type	Type	Qty.	Order No.
Locking frame (inside)	CABTITE FRL 4-1 BK	10	2584260000
Operating tool	CABTITE TOOL ATSE PA	1	2637360000
Mounting screw set	CABTITE SC M5X25 SET	1	2635120000
<b>Note</b>			

**Dimensioned drawing**



**Cabtite FR - CABTITE FR 10/6 BK SET**



The one-piece frame, consisting of a dimensionally stable, fibreglass-reinforced plastic, is quick and easy to assemble and available in four different sizes. The foamed, captive seal guarantees a high degree of impermeability to IP66, even with painted or rough surfaces. The frame sets contain the appropriate Rastinlays to realize the individual configuration (see above a or b) of small and large sealing elements. The sealing elements are not included in the frame set and must be selected to match the cable diameter.

**Technical data**

Material	Polyamide, glass fibre-reinforced
Colour	Deep black
Operating temperature	-40...120 °C
Protection class / Protection class (UL)	IP66 / Type 12, Type 4x
UL 94 flammability rating	V-0
<b>Note</b>	

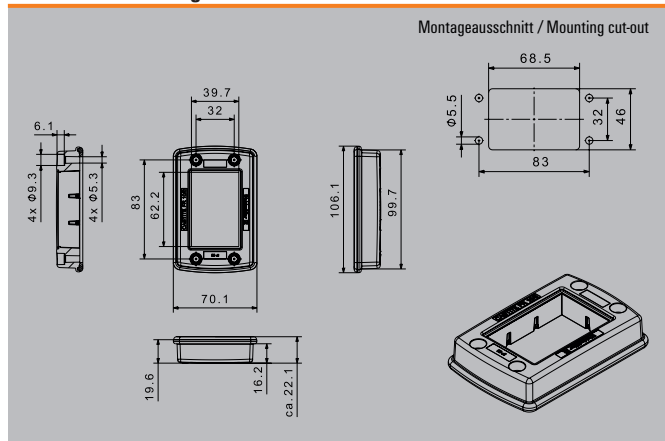
**Ordering data**

Type	Qty.	Order No.
<b>Set</b>		
CABTITE FR 10/6 BK SET	1	2583760000
<b>Single frame (without snap-in inlay)</b>		
CABTITE FR 10/6 BK	1	2583480000
<b>Note</b>	The individual frames do not contain any Rastinlays or sealing elements.	

**Accessories**

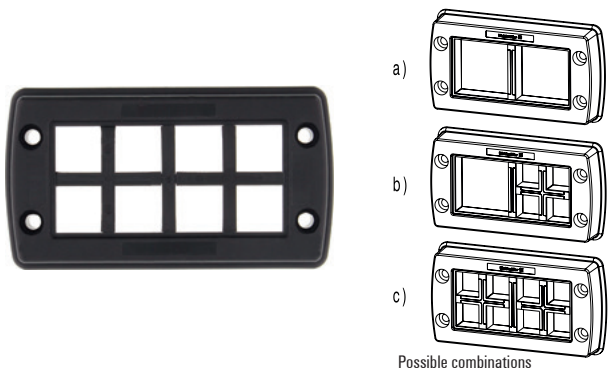
Product type	Type	Qty.	Order No.
Locking frame (inside)	CABTITE FRL 10/6 BK	10	2584240000
Operating tool	CABTITE TOOL ATSE PA	1	2637360000
Mounting screw set	CABTITE SC M5X25 SET	1	2635120000
<b>Note</b>			

**Dimensioned drawing**



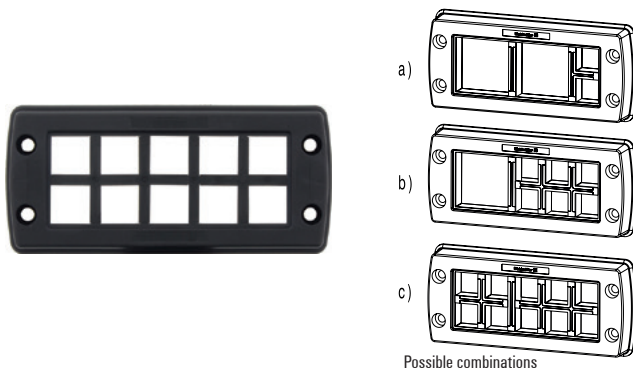
Cable entry frames

Cabtite FR - CABTITE FR 16/8 BK SET



The one-piece frame, consisting of a dimensionally stable, fibreglass-reinforced plastic, is quick and easy to assemble and available in four different sizes. The foamed, captive seal guarantees a high degree of impermeability to IP66, even with painted or rough surfaces. The frame sets contain the appropriate Rastinlays to realize the individual configuration (see above a, b or c) of small and large sealing elements. The sealing elements are not included in the frame set and must be selected to match the cable diameters.

Cabtite FR - CABTITE FR 24/10 BK SET



The one-piece frame, consisting of a dimensionally stable, fibreglass-reinforced plastic, is quick and easy to assemble and available in four different sizes. The foamed, captive seal guarantees a high degree of impermeability to IP66, even with painted or rough surfaces. The frame sets contain the appropriate Rastinlays to realize the individual configuration (see above a, b or c) of small and large sealing elements. The sealing elements are not included in the frame set and must be selected to match the cable diameters.

Technical data

Material	Polyamide, glass fibre-reinforced
Colour	Deep black
Operating temperature	-40...120 °C
Protection class / Protection class (UL)	IP66 / Type 12, Type 4x
UL 94 flammability rating	V-0
<b>Note</b>	

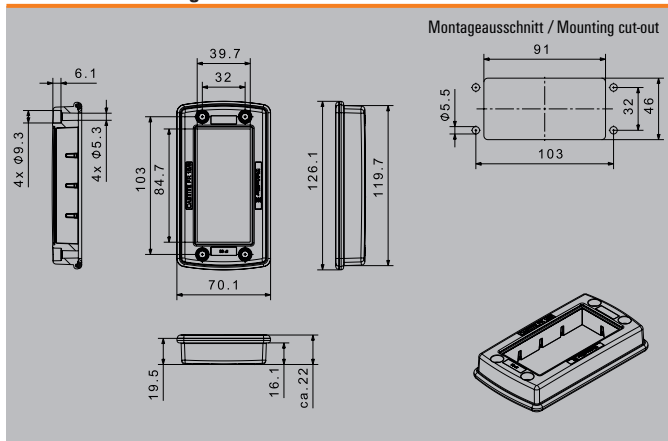
Ordering data

Type	Qty.	Order No.
<b>Set</b>		
CABTITE FR 16/8 BK SET	1	2583740000
<b>Single frame (without snap-in inlay)</b>		
CABTITE FR 16/8 BK	1	2583470000
<b>Note</b>	The individual frames do not contain any Rastinlays or sealing elements.	

Accessories

Product type	Type	Qty.	Order No.
Locking frame (inside)	CABTITE FRL 16/8 BK	10	2584220000
Operating tool	CABTITE TOOL ATSE PA	1	2637360000
Mounting screw set	CABTITE SC M5X25 SET	1	2635120000
<b>Note</b>			

Dimensioned drawing



Technical data

Material	Polyamide, glass fibre-reinforced
Colour	Deep black
Operating temperature	-40...120 °C
Protection class / Protection class (UL)	IP66 / Type 12, Type 4x
UL 94 flammability rating	V-0
<b>Note</b>	

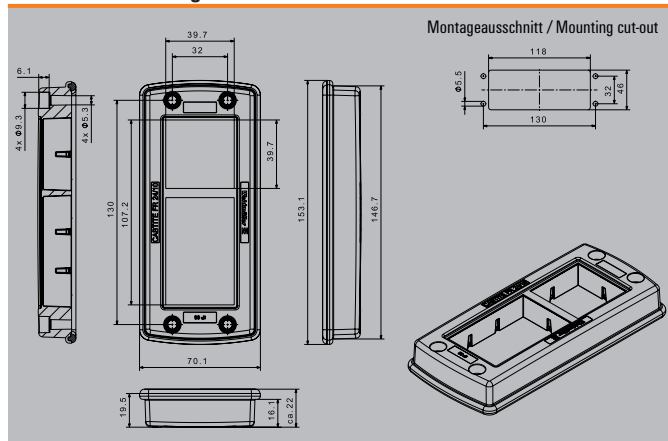
Ordering data

Type	Qty.	Order No.
<b>Set</b>		
CABTITE FR 24/10 BK SET	1	2583720000
<b>Single frame (without snap-in inlay)</b>		
CABTITE FR 24/10 BK	1	2583800000
<b>Note</b>	The individual frames do not contain any Rastinlays or sealing elements.	

Accessories

Product type	Type	Qty.	Order No.
Locking frame (inside)	CABTITE FRL 24/10 BK	10	2584210000
Operating tool	CABTITE TOOL ATSE PA	1	2637360000
Mounting screw set	CABTITE SC M5X25 SET	1	2635120000
<b>Note</b>			

Dimensioned drawing



**Cabtite CGD - separable cable gland**



Spare counter nut

For metric through holes from M20 to M63, the Cabtite cable entry system offers separable cable glands for cables with and without plugs. In case of maintenance or changes in the system, pre-assembled cables with diameters from 2 to 35 mm can be quickly and safely inserted into switch cabinets or housings. After inserting the sealing elements (Cabtite SE), the two halves of the cable gland are simply snapped together. A likewise separable lock nut on the inside of the cabinet ensures a secure and firm hold.

**Technical data**

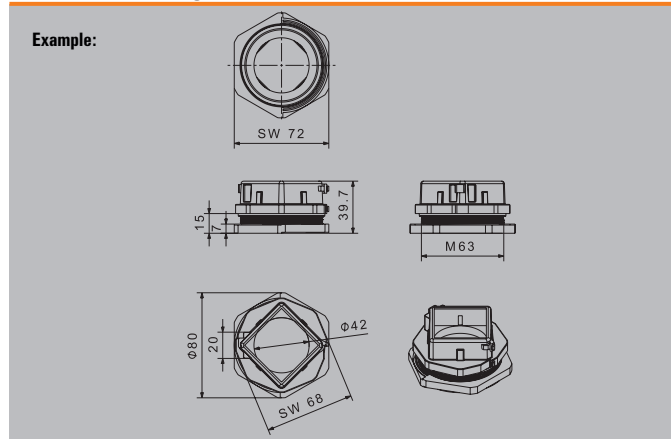
Material	Polyamide, glass fibre-reinforced
Colour	Deep black
Operating temperature	-40...120 °C
Protection class / Protection class (UL)	IP66 /
UL 94 flammability rating	V-0
<b>Note</b>	

**Ordering data**

Type	Qty.	Order No.
<b>Divisible cable gland*</b>		
CABTITE CGS M20 BK	10	2584200000
CABTITE CGS M25 BK	10	2584180000
CABTITE CGS M32 BK	10	2584160000
CABTITE CGS M40 BK	5	2584150000
CABTITE CGS M50 BK	5	2584130000
CABTITE CGS M63 BK	5	2584120000
<b>Articulated locknut</b>		
CABTITE LNS M20 BK	10	2584110000
CABTITE LNS M25 BK	10	2584090000
CABTITE LNS M32 BK	10	2584070000
CABTITE LNS M40 BK	5	2584050000
CABTITE LNS M50 BK	5	2584030000
CABTITE LNS M63 BK	5	2584010000
<b>Rastinly for M40-M63**</b>		
CABTITE GI X BK	5	2584290000
<b>Note</b>		

\*The cable glands are supplied with a locknut. \*\*The snap-in insert is required to install 4 small sealing elements in the cable gland.

**Dimensioned drawing**



**Cabtite GI - Rastinlay**



The insertable snap-in inlay allows the frame openings/cable glands to be configured as required for the small or large sealing elements used. Thus the Cabtite cable entry system can be variably configured for different requirements (cables, lines, hoses, pneumatic and hydraulic lines).

**Technical data**

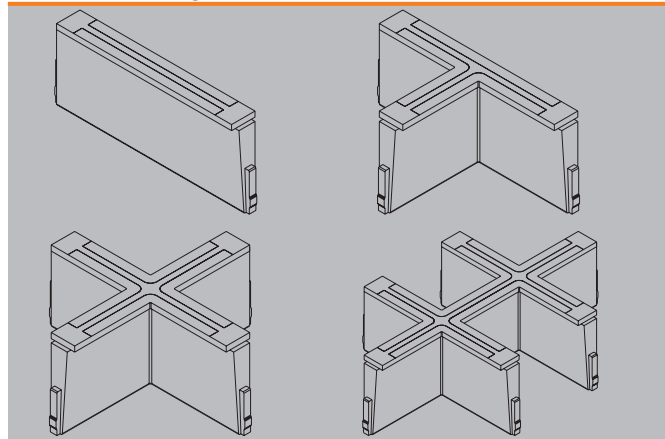
Material	Polyamide, glass fibre-reinforced
Colour	Deep black
Operating temperature	-40...120 °C
Protection class / Protection class (UL)	IP66 /
UL 94 flammability rating	V-0
<b>Note</b>	

**Ordering data**

Type	Qty.	Order No.
CABTITE GI I BK	5	2584320000
CABTITE GI T BK	5	2584300000
CABTITE GI H BK	5	2584270000
<b>Rastinly for M40-M63**</b>		
CABTITE GI X BK	5	2584290000
<b>Note</b>		

\*\*The locking inlay is required to install 4 small sealing elements in the cable gland.

**Dimensioned drawing**



**Divisible cable gland and accessories**

**CABTITE CR - Cable support strips (EMC)**



In combination with a large number of different shield connection clamps (KLBÜ), the shield connection rails enable practical, uncomplicated and fast shielding of cables.

**CABTITE BP - Blanking plug**



The blind plugs are used for the safe closing of unneeded cable passages in the sealing elements.

**Technical data**

Material	Steel, galvanized
Colour	silver

**Note**

**Ordering data**

Type	Qty.	Order No.
CABTITE CR 4/1 EMV	10	2583950000
CABTITE CR 10/6 EMV	10	2583930000
CABTITE CR 16/8 EMV	10	2583910000
CABTITE CR 24/10 EMV	10	2583890000

**Note**

**Technical data**

Material	Polyamide
Colour	white
Operating temperature	-40...120 °C

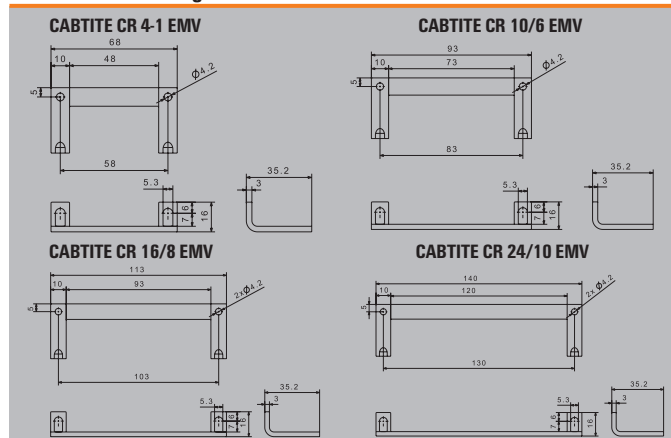
**Note**

**Ordering data**

Type	Qty.	Order No.
CABTITE BP 2MM PA	25	2652300000
CABTITE BP 3MM PA	25	2652310000
CABTITE BP 4MM PA	25	2652320000
CABTITE BP 5MM PA	25	2652330000
CABTITE BP 6MM PA	25	2652340000
CABTITE BP 7MM PA	25	2652350000
CABTITE BP 8MM PA	25	2652360000
CABTITE BP 9MM PA	25	2652370000
CABTITE BP 10MM PA	25	2652380000
CABTITE BP 12MM PA	25	2652400000
CABTITE BP 13MM PA	25	2652410000
CABTITE BP 14MM PA	25	2652420000
CABTITE BP 17MM PA	25	2652430000

**Note**

**Dimensioned drawing**





## Cabtite cable entry plates

Simply insert plugless cables into control cabinets, enclosures and machines and save space

Whether cables, hoses or fibre-optic cables: It is often necessary to route a large number of lines into control cabinets, enclosures or machines in very small spaces. Cabtite is the best choice for this purpose.

Cabtite cable entry plates are an effective seal, minimise tensile stress, save space and represent an economical alternative to conventional cable glands. A small rectangular cut-out section in the enclosure wall is all you need to effortlessly insert a wide variety of cables. Moreover, Cabtite cable entry plates reduce installation time by up to 40% compared to cable glands.

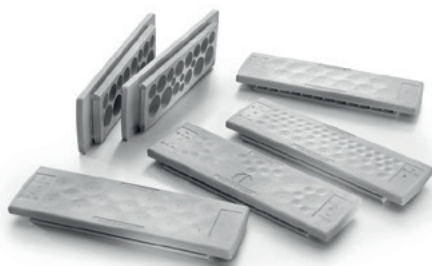
### Your special advantage:

- For external installation on control cabinet walls
- Suitable for different wall thicknesses
- Fast and simple solution for inserting plugless cables, hoses and conductors
- High packing density with low space requirement
- Available in high protection classes IP54 and IP66
- Up to 40% more time saved compared to cable glands





**IP54 Snap version**



Insert cables and wires without plugs into control cabinets, enclosures or machines easily and in the smallest possible space. The tool-free IP54 snap-in version of the cable entry plates is tested according to DIN EN 60529 and made of UL94 V-0 certified TPE material.

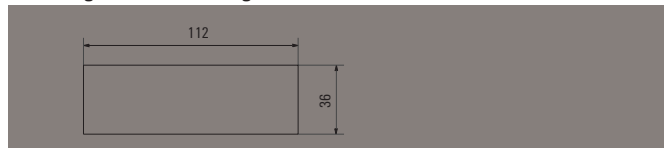
**Technical data**

Material	TPE
Colour	grey
Operating temperature	-40...90 °C
Protection class	IP54
UL 94 flammability rating	V-0
<b>Note</b>	

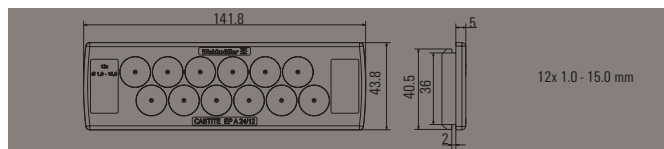
**Ordering data**

Type	Qty.	Order No.
<b>Type A - for wall thicknesses 1.5 - 2.5 mm</b>		
CABTITE EP A 24/12 GY	10	2743540000
CABTITE EP A 24/14 GY	10	2743550000
CABTITE EP A 24/17 GY	10	2743560000
CABTITE EP A 24/18 GY	10	2743570000
CABTITE EP A 24/19 GY	10	2743580000
CABTITE EP A 24/26 GY	10	2743590000
CABTITE EP A 24/42 GY	10	2743600000
CABTITE EP A 24/48 GY	10	2743610000
CABTITE EP A 24/50 GY	10	2743620000
<b>Type B - for wall thicknesses 2.5 - 4 mm</b>		
CABTITE EP B 24/12 GY	10	2743630000
CABTITE EP B 24/14 GY	10	2743640000
CABTITE EP B 24/17 GY	10	2743650000
CABTITE EP B 24/18 GY	10	2743660000
CABTITE EP B 24/19 GY	10	2743670000
CABTITE EP B 24/26 GY	10	2743680000
CABTITE EP B 24/42 GY	10	2743690000
CABTITE EP B 24/48 GY	10	2743700000
CABTITE EP B 24/50 GY	10	2743710000
<b>Note</b>		

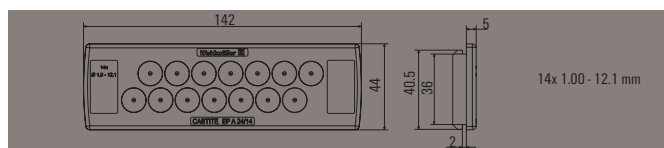
**Mounting Cut-out / Montageausschnitt**



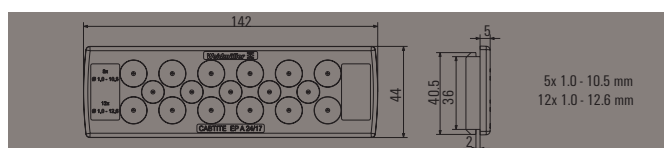
**CABTITE EP ... 24/12 GY**



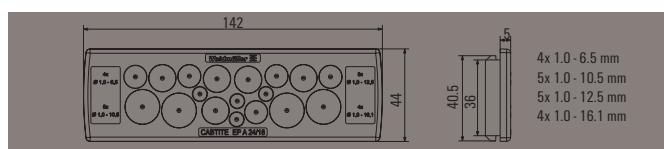
**CABTITE EP ... 24/14 GY**



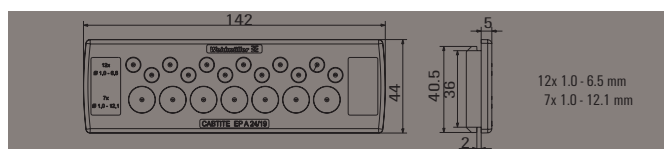
**CABTITE EP ... 24/17 GY**



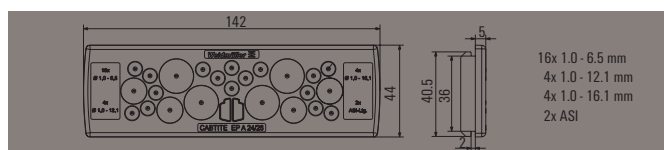
**CABTITE EP ... 24/18 GY**



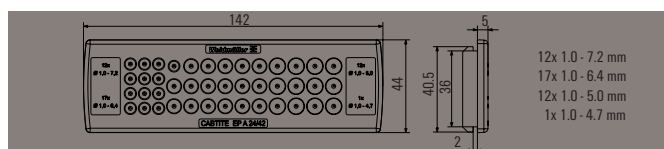
**CABTITE EP ... 24/19 GY**



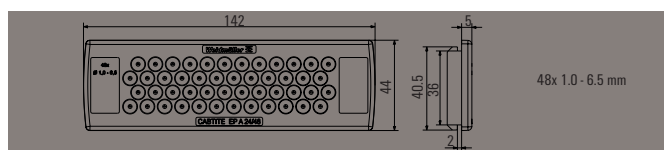
**CABTITE EP ... 24/26 GY**



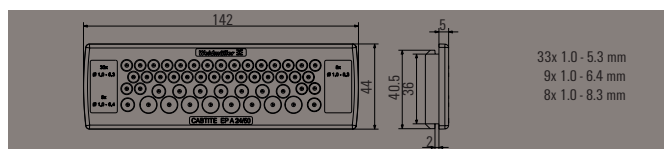
**CABTITE EP ... 24/42 GY**



**CABTITE EP ... 24/48 GY**



**CABTITE EP ... 24/50 GY**



Cable Entry Plates

IP66 Screw version



Insert cables and wires without plugs into control cabinets, enclosures or machines easily and in the smallest possible space. The IP66 screw version of the cable entry plates is tested according to DIN EN 60529 and made of UL94 V-0 certified TPE material with a hard plastic core.

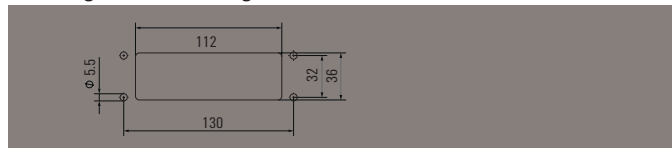
Technical data

Material	TPE
Colour	grey
Operating temperature	-40...90 °C
Protection class	IP66
UL 94 flammability rating	V-0
<b>Note</b>	

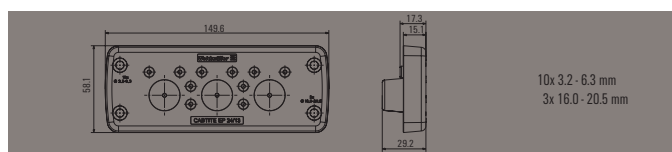
Ordering data

Type	Qty.	Order No.
CABTITE EP 24/13 GY	10	2779310000
CABTITE EP 24/14 GY	10	2779320000
CABTITE EP 24/16 GY	10	2779330000
CABTITE EP 24/16-1 GY	10	2779340000
CABTITE EP 24/17 GY	10	2779350000
CABTITE EP 24/20 GY	10	2779360000
CABTITE EP 24/21 GY	10	2779370000
CABTITE EP 24/32 GY	10	2779380000
<b>Note</b>		

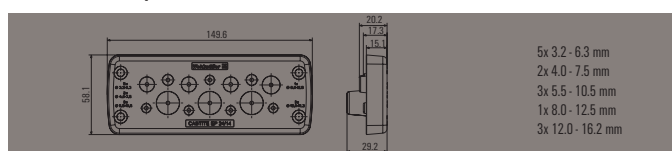
Mounting Cut-out / Montageausschnitt



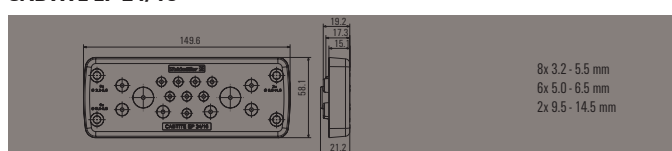
CABTITE EP 24/13



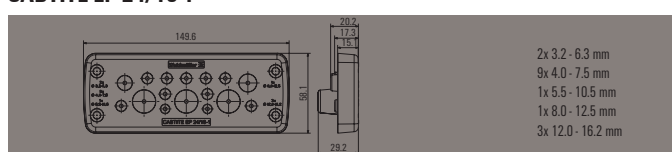
CABTITE EP 24/14



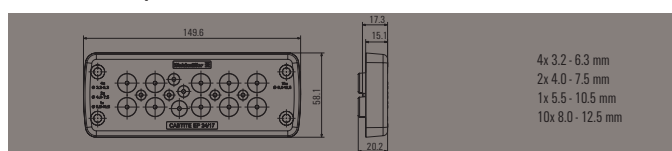
CABTITE EP 24/16



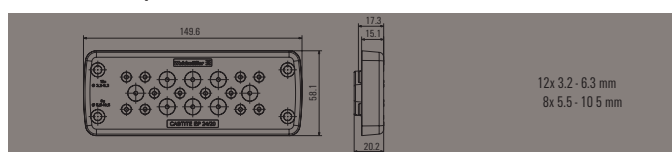
CABTITE EP 24/16-1



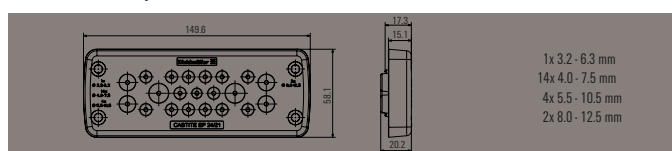
CABTITE EP 24/17



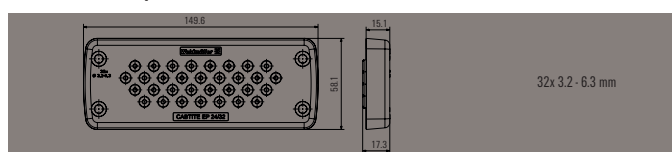
CABTITE EP 24/20



CABTITE EP 24/21



CABTITE EP 24/32



# Tools

---

Tools

Overview

F.2

---

# Tools

At Weidmüller, we have been developing and manufacturing quality tools to meet the most stringent requirements for over 30 years. When we develop new solutions, we always keep our goal in mind: to make your job easier, optimise processes and help protect the long-term productivity of your business.

The best conditions for this can be created by using perfectly coordinated products and tools from a single source. Our range includes professional manual tools for cutting, stripping, crimping, testing and screwing. The assortment is supplemented by tool sets that sensibly and efficiently combine tools and matching accessories. Our machines simplify continually recurring tasks and save valuable time.

**Your special advantages:**

- Increased safety thanks to the tool certification service
- Flexibility in form and function
- High level of efficiency thanks to sophisticated ergonomics and multiple actions per work process
- Profitable interplay between products and tools from a single source

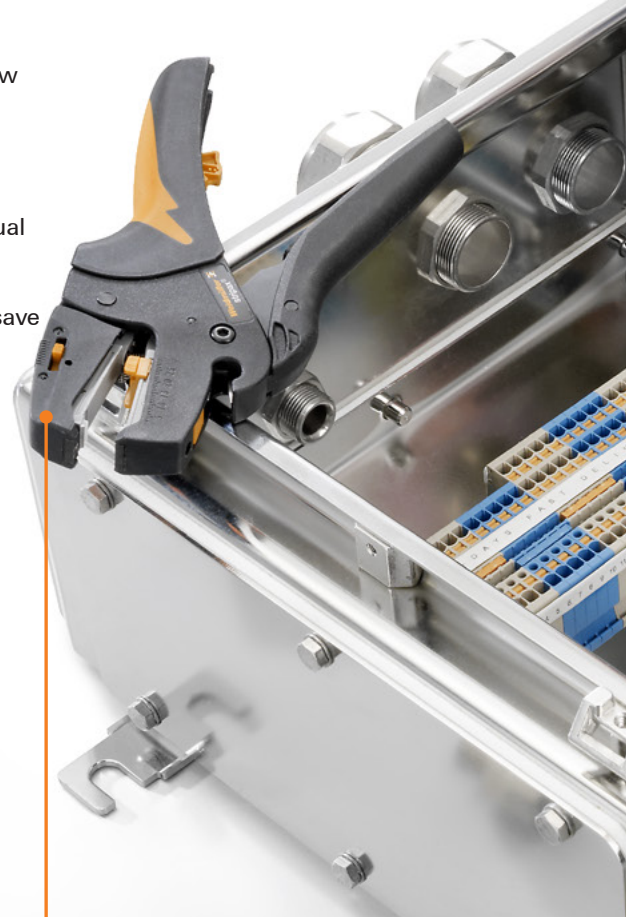
**Stripping tools**

Thanks to the exact adaptation to the insulation and wire cross-section, our professional stripping tools guarantee defect-free processing with consistently reliable stripping results. With its wide range of stripping tools, Weidmüller satisfies all the criteria for professional cable processing.



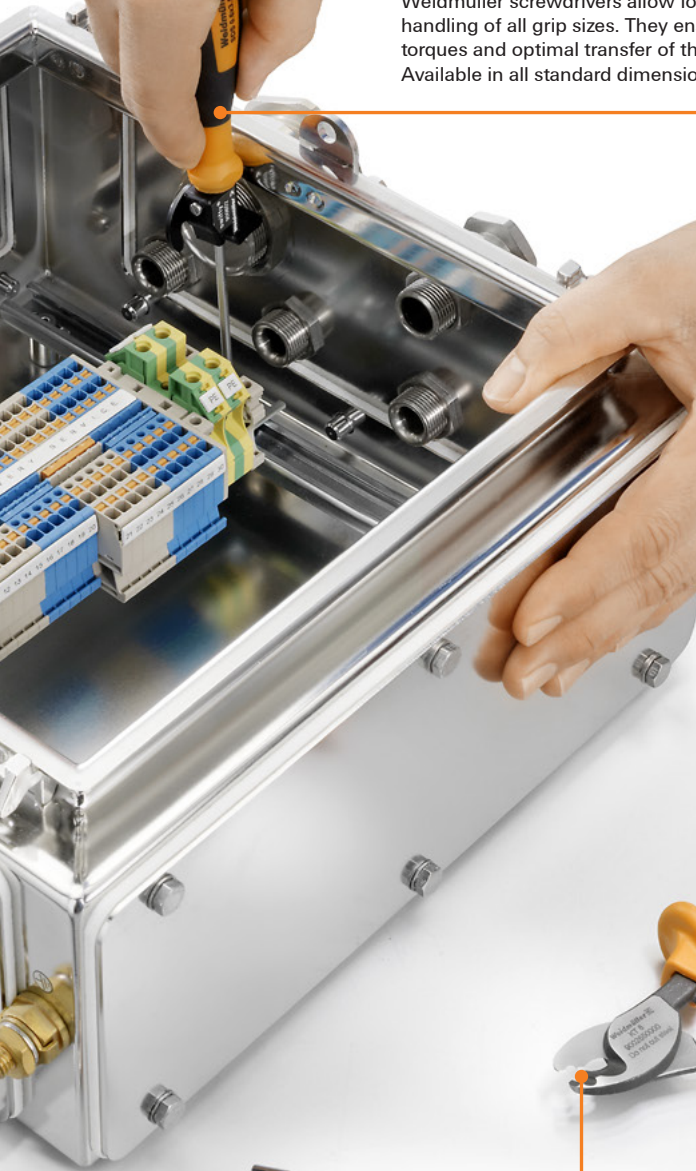
**Cable gland tools**

The Weidmüller cable gland tools are suitable for an extremely wide range of cable glands. They enable you to tighten or loosen several rows of connections without deforming the cable glands.



### Screwdrivers

Weidmüller screwdrivers allow for the perfect handling of all grip sizes. They ensure maximum torques and optimal transfer of the axial force. Available in all standard dimensions.



### Cutting tools

Weidmüller is a specialist in the cutting of copper and aluminium cables. The range of products extends from cutting tools with direct force application for small cross-sections to cutting tools for large diameters.



# Service and support

---

<b>Service and support</b>	Service connects - worldwide	V.2
	Engineering services and customised products	V.3
	easyConnect - Your Industrial Service Platform	V.4
	Support Center	V.6
	Additional support services	V.7
	Weidmüller Configurator: intuitive, uncomplicated & fast digital engineering	V.8

---

# Our expertise for your requirements

## Service connects – worldwide



Automation technology functions are becoming more complex in a globally-oriented world facing ambitious targets in terms of energy efficiency and smart production. We are your equal partners for the best connections in Industrial Connectivity.

Our personal support answers all questions reliably and expertly. During planning, installation or operation our service and support offer is your best companion.

In short: Weidmüller's global service combines our expertise with your requirements.

V



**Your way to our service**  
[www.weidmueller.com/service](http://www.weidmueller.com/service)



# Engineering services and customised products

Automation engineering and connectivity consulting belongs to our services as well as assembly of engineered products. We also support the process from the idea to the product with our Weidmüller Configurator and the Configure-to-Order process.



## Consulting and engineering

The challenge for you is reducing costs and increasing efficiency. This requires intelligent, individual solutions. Whether it is modified products, pre-fitted mounting rails or complete small cabinets – our application centres provide a highly qualified custom-made engineering and production service.



## Connectivity Consulting

Increase your competitiveness - supported by our experts. Our drive is to optimise your competitiveness. That's why our team of experts supports you in significantly increasing your efficiency in electrical machine design and control cabinet construction. With proven products and services from the Weidmüller portfolio – and with the experience gained from over 300 projects worldwide.



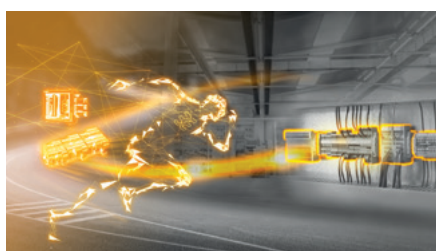
## Assembled terminal rails - Flexibly designed to suit your requirements

Your processes in panel building have to be fast, flexible and productive. This is the only way you can cut your costs and increase efficiency. Depending on the application in question, you will have different requirements with respect to the engineering service, delivery speed and flexibility to be provided.



## Modified and assembled enclosures - Competitive advantages included

To compete internationally, your plants need to satisfy high standards of safety, quality and performance. The smart combination of consultation, application expertise and industry know-how is our key to finding a custom-fit solution for your application. Reduce costs and increase efficiency.



## Fast Delivery Service - Your ideas deserve a quick realisation

Obtain offers 24/7 and within minutes, including directly orderable article numbers with our Fast Delivery Service. The Weidmüller Configurator (WMC) for planning and configuration is key for consistent processes. Dispatch your orders in 5 days. Assemble individual terminal strips and enclosures from batch size 1!

# Your ticket to the world of digital service

## easyConnect – Your Industrial Service Platform



Our cloud-based platform is your ticket to the world of digital services from Weidmüller, and the intuitive and future-proof tool for your way to the Industrial IoT. Realise your use cases easily, consistently and without any relevant prior knowledge, thanks to the perfect interaction of platform, devices and diverse software services.

As an open, modular and perfectly integrable system, the platform is your enabler for a wide range of use cases. Increase your efficiency and unleash your full innovation potential with easyConnect.

V



**Interested in using easyConnect?**

Learn how to get started with easyConnect step-by-step.

[www.weidmueller.com/easyconnect](http://www.weidmueller.com/easyconnect)

## Why should you use easyConnect?

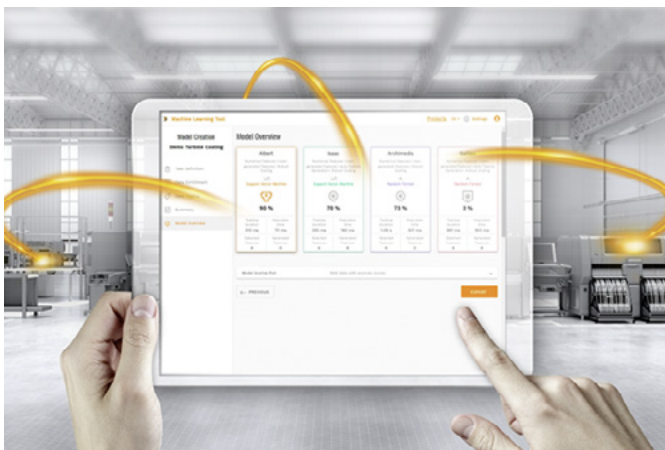
- You want to enter your digital transformation step-by-step?
- You want to make the step into Industrial IOT, but have no or little IT expertise?
- You want to use your digital data for smart & scalable services?
- You want to offer digital services (such as customised dashboard) to your customers?
- You want to improve your service offering and efficiency, e.g. through remote access?
- You feel Weidmüller's digital services are interesting, but you have „your cloud“ already?



Weidmüller comes up with the solution: easyConnect, the new digitalisation platform. It bundles Weidmüller's digital services at one place in the cloud and connects them with various Weidmüller devices.

With easyConnect you start digitalising your application step-by-step without ballast in a secure way.

## The following services are initially available on easyConnect:



### **Device management**

Adding and managing cloud-connected devices is typically the first step in any Industrial IoT use case.

### **Asset management**

The asset management service is a modelling tool that allows users to model their assets and processes and link them to relevant time series data.

### **Remote access (u-link)**

u-link guarantees a quick and secure access to machines and plants while also allowing for efficient management.

### **Data visualisation**

easyConnect data visualisation services enable users to view, monitor and display live and historical data.

### **AutoML**

With Weidmüller Industrial AutoML, you can optimize operations, increase product quality and develop new business models by benefiting from advanced analytics.

## Expand the possibilities of our products

Our Support Center provides you with comprehensive, clear and personal assistance



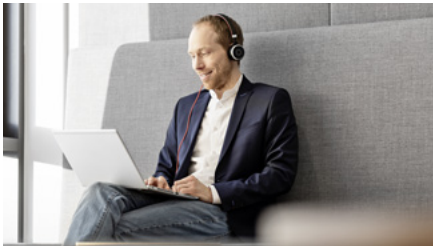
Receive fast and intuitive support to get the most out of our products in your application. In our new Support Center you can search or navigate to the many application notes, product information, video tutorials or software downloads of our products.

- **Everything at a glance** – One central support hub, where all relevant information is available
- **Powerful search** – Provides filter functions for various types of information and products
- **Different views and navigations** – Content provided in views product information, engineering support or software downloads
- **More than 170,000 downloads** – Application notes, video tutorials, templates and examples, user documentation, engineering data, ...
- **Personal contact** – Direct access to your personal technical contact in your country



Explore the world of our new Support Center  
[support.weidmueller.com](https://support.weidmueller.com)

## Additional support services



### Training and Webinars

Stay tuned in a world that is accelerating. In our entertaining interactive webinars, we offer you the opportunity to learn about new products and technology topics and to interact with our experts.



### Repairs and replacement parts

We offer repair and components for our Workplace Solutions as well as assistance for other Weidmüller products. Find out how our experts can help you with your repair request.



### Security advisory board

Our Product Security Incident Response Team (PSIRT) continuously informs you about possible security-related vulnerabilities of our products.



### Engineering data

For the quick integration of our products into your design, there are a lot of digital product data for engineering systems like EPLAN, Zuken E3.series, WSCAD and many others available for download.



### Product change notifications

Technical modifications of our products always available online.



### Technical product catalogues

Technical data for our entire program in Industrial Connectivity for download in PDF-format.

## From the idea to the finished solution

# Weidmüller Configurator: intuitive, uncomplicated & fast digital engineering

Digital engineering can be so easy – with the Weidmüller Configurator!

It's a **free to use** software application to easily configure industrial solutions. It features more than **12,000 articles** from multiple product families including rail-mounted components, industrial and ex-certified enclosures, Heavy Duty Connectors, remote I/O-systems and PCB connectors.

Unleash the full power of digital engineering:

Our application wizards help you choose the right articles.

Place, mark or modify them to your needs and get your solution **visualized in 3D** – what you see is what you get!

Our promise: Speed up your solution planning process by up to 70%!

### Your benefits:

- **Proven configuration designs in real 3D:** The plausibility and collision check with the complete digital documentation ensures that you can rely 100% on your configuration.
- **Seamless E-CAD Roundtrip:** Interfaces enable the simple exchange of product data between the WMC and all common engineering tools, such as Zuken E3 or EPLAN Electric P8.
- **Sample Service & Fast Delivery Service:** to support your design-in process, we offer a **3-day sample service** for many products. Inquire them directly online – for free!  
You want your solution right away? Our **Fast Delivery Service** guarantees delivery of individually assembled terminal strips or enclosures within a few days.

### Get started online now!

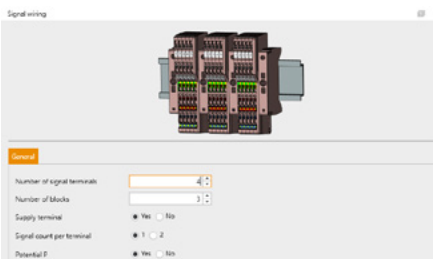
The Weidmüller Configurator makes solution planning easy. Visit our website for more information, tutorials and download it for free:



[www.weidmueller.com/wmc](http://www.weidmueller.com/wmc)

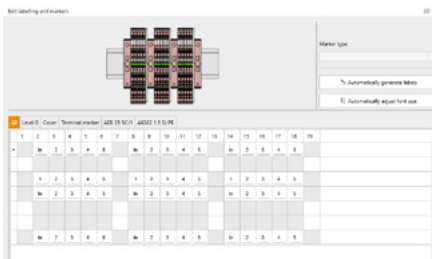


or register on [easyconnect.weidmueller.com](http://easyconnect.weidmueller.com) and use it online.



**Wizards:**

Design complete applications within few clicks – even without detailed product knowledge – for signal wiring, load monitoring, instrument transformers, enclosures, remote I/O-systems and many more.



**Assistants:**

Finalize your solutions with supporting assistants to add cross-connectors, markers or colors and verify the faultlessness. Automatic modes save valuable time!



**1-click documentation:**

Get assembly drawings for production – only 1 click. Bill of material – only 1 click. The complete solution documentation including all component data sheets – you’re right, only 1 click!







# Technical appendix

<b>Technical appendix</b>	Directive 1999/92/EC	W.2
	ATEX directive 2014/34/EU	W.5
	IECEx scheme	W.6
	☞ Hazardous areas guide	W.7
	IP class of protection	W.10
	Guidelines for selecting cable glands	W.12
	Ratings plate of an empty enclosure	W.14
	Type label for enclosure assemblies	W.15

# Directive 1999/92/EC

Article 137 of the European Community Formation Treaty set out the minimum standards in order to improve workers' health and safety, this can also be put at risk by explosive atmospheres. An explosive atmosphere is a mixture of air and flammable gasses, vapours, mists or dust under atmospheric conditions where, following successful ignition, the burning process will propagate throughout the whole unburned mixture.

The directive 1999/92/EC was transferred into national law. Compliance with the minimum standards contained in this directive does not guarantee that all relevant national laws are met. It is possible for local regulators to introduce more stringent requirements.

The employer is required, according to the directive 1999/92/EC, to take measures to ensure the health and safety of the employees. One measure is the division of the area into zones where explosive atmospheres could be present.

Unless the risk analysis conducted by the employer indicates otherwise, all areas where an explosive atmosphere may be present must be equipped with devices and protective systems that meet the relevant category of the ATEX directive 2014/34/EU.

In particular in these zones the following categories of equipment should be used, as long as they are suitable for use with gases, vapours, mists or dusts:

- In Zone 0 or Zone 20: category 1 devices
- In Zone 1 or Zone 21: category 1 or category 2 devices
- In Zone 2 or Zone 22: category 1, category 2 or category 3 devices

## Zoning according to the directive 1999/92/EC

Explosion risk areas are classified into zones according to likelihood of explosive atmospheres occurring and their persistence.

### Zone 0

An area which has a potentially explosive atmosphere that is a mixture of air and **flammable gases, vapours or mists**. The mixture is either permanently present or frequently present over long periods of time.

### Zone 1

An area in which during normal operations a potentially explosive atmosphere of air and **flammable gases, vapours or mists** can occasionally form.

### Zone 2

An area for which during normal operations there is at most only a short-term occurrence of a potentially explosive atmosphere of mixtures of air and **flammables gases, vapours or mists**.

### Zone 20

An area where a potentially explosive atmosphere is present in the form of a **flammable dust** cloud in the air. This cloud is either permanently present or frequently present over long periods of time.

### Zone 21

An area where, during normal operations, a potentially explosive atmosphere in the form of a **flammable dust** cloud in the air can occasionally form.

### Zone 22

An area where, during normal operations, a potentially explosive atmosphere in the form of a **flammable dust** cloud in the air is not normally present or only present for a short time.

For the risk assessment and as well as the zoning concept described above, Ex devices themselves can be considered in an alternative process which uses the equipment protection level (EPL). These protective levels determine the internal ignition risk of a device where the sort of applied protection does not play a role.

The system of EPL classifications (Equipment Protection Level) is shown below.

### **Firedamp (methane) risk mines (Group I)**

#### **EPL Ma**

Equipment for installation in mining applications, offering a „very high“ level of protection and which do not constitute a source of ignition during normal operation, or in the event of rarely occurring faults.

#### **EPL Mb**

Equipment for installation in a mine with a high level of protection. Has sufficient safety to ensure that there is no source of ignition in the period of time between the outbreak of gas and the time the equipment is switched off.

### **Gases (Group II)**

#### **EPL Ga**

Equipment for explosive-risk gas atmospheres with a very high level of protection. No source of ignition is present during normal operation or when errors occur that cannot be necessarily expected on a regular basis.

#### **EPL Gb**

Equipment for explosive-risk gas atmospheres with a high level of protection. No source of ignition is present during normal operation or when errors occur that cannot be necessarily expected on a regular basis.

#### **EPL Gc**

Equipment for explosive-risk gas atmospheres with an elevated level of protection. No source of ignition is present during normal operation and it can have additional safeguards to ensure that none is present during faults which happen regularly (e. g. failure of a lamp).

### **Dust (Group III)**

#### **EPL Da**

Equipment for combustible dust atmospheres with a very high level of protection. No source of ignition is present during normal operation or in very rare faults.

#### **EPL Db**

Equipment for combustible dust atmospheres with a high level of protection. No source of ignition is present during normal operation or when errors occur that cannot be necessarily expected on a regular basis.

#### **EPL Dc**

Equipment for combustible dust atmospheres with an elevated level of protection. No source of ignition is present during normal operation and it can have additional safeguards to ensure that none is present during faults which happen regularly (e. g. failure of a lamp).

### Classification of explosive groups

Electrical devices for groups II and III are classified further as a function of the properties of the explosive atmosphere for which they are intended.

The danger of the atmosphere increases from IIA(IIIA) to IIC(IIIC) so that all equipment certified for use in IIC(IIIC) areas may also be used in IIA(IIIA) and IIB(IIIB) areas.

#### Classification of explosive groups

Group	Material, e.g.	Ignition energy	Group	Material
IIA	Propane	266 µJ	IIA	Flammable fluff
IIB	Ethylene	85 µJ	IIB	Non-conductive dust
IIC	Hydrogen	19 µJ	IIC	Conductive dust

#### Classification of zones and equipment categories

Combustible ingredients	Explosive atmospheres	Zone division	EPL safety level	Identification	
				Equipment group	Device category
Gas, mist, vapours/fumes (G / Gas)	permanent, long-term	Zone 0	Ga	II	1G
	occasionally	Zone 1	Gb	II	2G
	unlikely, short-term	Zone 2	Gc	II	3G
Dusts (D / Dust)	permanent, long-term	Zone 20	Da	II	1D
	occasionally	Zone 21	Db	II	2D
	unlikely, short-term	Zone 22	Dc	II	3D

W

# ATEX directive 2014/34/EU

Article 96 of the Treaty on the Foundation of the European Union and Decision no. 768/2008/EU and Federal Gazette 96/309-356 govern the standardisation of legal regulations in the Member States. The ATEX directive 2014/34/EU sets out the basic requirements for health and safety protection as a directive following the new concept. It is aimed at manufacturers of equipment and components designed for used in potentially explosive atmosphere areas.

This directive had to be adopted without deviation into national law.

For Germany, this took the form of the passing of the Explosion Protection Ordinance (2015 ExVo 2015) of the Product Safety Act (ProdSG). It applies to all industrial potentially explosive areas, including mines, and also covers protection from dust-ignited explosions.

This directive sets out the requirements for the products depending on their equipment group and category. This is the category as set down by the directive 1999/92/EC applicable for each appropriate zone.

To prove conformity with the basic health and safety regulations, harmonised standards are used. If the requirements as laid out in the Official Journal of the EU are met, then it will be in compliance with the standard requirements for conformity (presumption of conformity). Various, mostly equivalent, protection types have been standardised harmoniously.

This conformity assessment process of the directives sets out different procedures. For device category 3, the manufacturer can perform the conformity assessment itself. For devices of categories 1 and 2, this conformity check must be carried out at a notified body in the form of a EC type-examination. In addition, quality assurance must be monitored for the devices of categories 1, 2 and 3.

Weidmüller has devices and components in its product range. Empty enclosures are components and are certified at the factory as such. Installing certified components does not create a certified equipment. To do this, additional tests must be carried out.

Weidmüller offers customer-specific devices available as certified solutions. The production of assembled enclosures is monitored by a notified body.

## IECEx scheme

The IECEx scheme is an international certification scheme for products which meet the requirements of the international standards, e.g. the technical committee TC31's IEC standards.

The certificates awarded in this scheme are published on the IECEx website ([www.iecex.com](http://www.iecex.com)) as an electronic certificate. They can be viewed online and printed out.

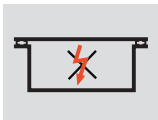
A Certificate of Conformity (CoC) refers to a test report (Ex Test Report ExTR) and on an assessment of the quality assessment report from the manufacturer (QAR).

The standards used for the production of the test report correspond almost entirely to the harmonised standards in Europe. Recent EN standards were initially adopted as IEC standards.

## Protection concepts

The zoning described above provides the basis for the selection of the type of ignition protection. So, as an example, in the ATEX applicable areas, only ignition protection devices meeting Ex ia for Zone 0 (highest probability of an explosive atmosphere being present) are allowed.

### Increased safety Ex e No sparks and a surface temperature limited to a safe level

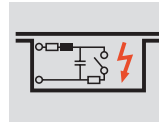


Increased safety is for products where there are no sparks produced during normal operation or in case of a failure. The surface temperature of the relevant parts is limited to a value below the ignition temperature.

Increased safety is achieved by reducing the current load and raising the isolation properties and by maintaining clearance and creepage distances above the value in an industrial application. The highest voltage permitted for this protection scheme is 11 kV (D.C. or A.C. rms).

This protection scheme is usually used for distribution cabinets..

### Intrinsically safe Ex i Limited to a safe level of ignition energy

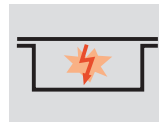


Intrinsic safety is for products where electrical energy which flows into the product, or is stored in the product, is not sufficient to ignite the surrounding explosive atmosphere. This also applies in fault conditions. The methods that achieve intrinsic safety mean that it is important that not only the devices installed in direct contact with the explosive atmosphere are constructed correctly, but also the electrical devices to which they are connected.

Intrinsically safe equipment and intrinsically safe parts of the associated equipment are divided into protection levels: ia (for zones 0, 1, and 2), ib (for zones 1 and 2), and ic (only for zone 2).

A typical application area are control and display circuits with low voltage and current.

### Pressure-resistant Ex d encapsulation Limits the explosion to the inside of the enclosure

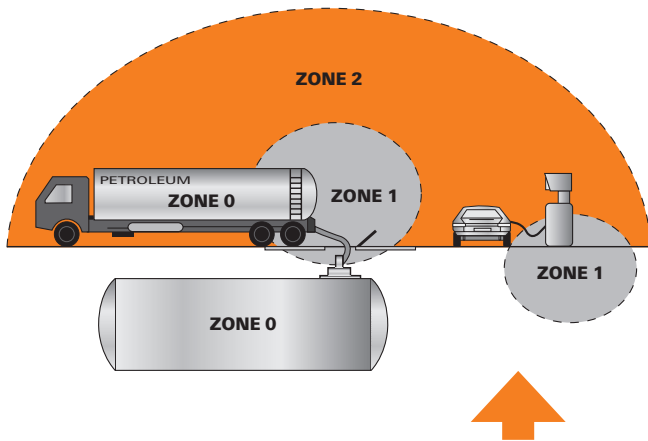


Pressure-resistant encapsulated enclosures are designed for devices where sparks are generated or which have hot surfaces which are a source of ignition during normal operation. Similarly, industrial components for use in potentially explosive atmospheres are often made suitable by encapsulating them in a pressure-resistant enclosure which otherwise could not be used.

The surrounding possibly explosive atmosphere can enter the enclosure and will produce an internal explosion during the equipment's lifespan.

The enclosure must therefore be stable enough to ensure that it is not deformed or destroyed by the pressure created. All connections of the enclosure are sized so that they cannot transmit an explosion from inside to the surrounding atmosphere. These connections are known as ignition gaps.

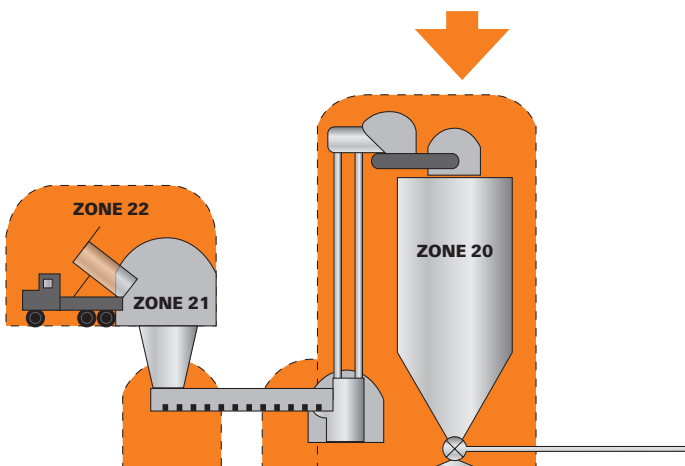
# Area classification



### Gas groups

IIA	e.g. Propane
IIB	e.g. Etyhlene
IIC	e.g. Hydrogen

Equipment group acc. to directive 2014/34/EU	Equipment category acc. to directive 2014/34/EU	Classification of hazardous areas acc. to directive 1999/92/EG	Group acc. to IEC/EN 60079-0	Combustible materials	Equipment protection level (EPL acc. to IEC/EN 60079-0)
I Mining	M1	very high level of protection; remain functional at occurrence of Ex-atmosphere		Methane, Carbon dust	Ma
	M2	high level of protection; de-energized at occurrence of Ex-atmosphere			Mb
II Other industries (except mining)	1	very high level of protection; save even in an event of rare incidents	0	Gases, Vapours, Mists (G)	Ga
	2	high level of protection; save even in an event of predictable failures	1		Gb
	3	normal level of protection; save during normal operation	2		Gc
II Other industries (except mining)	1	very high level of protection; save even in an event of rare incidents	20	Dust (D)	Da
	2	high level of protection; save even in an event of predictable failures	21		Db
	3	normal level of protection; save during normal operation	22		Dc



### Dust groups

IIIA	Combustible flyings
IIIB	Non-conductive dust
IIIC	Conductive dust

# Types of Protection

## Types of protection for electrical equipment in explosive gas atmospheres

Type of protection	Symbol	Main application	Norm
increased safety	eb	junction boxes, control stations for installing Ex-components (with a different type of protection), squirrel-cage motors, light fittings	IEC 60079-7 EN 60079-7 ISA 60079-7
flameproof enclosures	db	switchgears, control stations, indicating equipment, control systems, motors, transformers, heating equipment, light fittings	IEC 60079-1 EN 60079-1 ISA 60079-1
pressurized enclosures	pxb pyb pzc	switchgear and control cabinets, analysers, large motors	IEC 60079-2 EN 60079-2 ISA 60079-2
intrinsic safety	ia ib ic	instrumentation technology, fieldbus technology, sensors, actuators [Ex ib] = associated electrical apparatus - installation in the safe area	IEC 60079-11 EN 60079-11 ISA 60079-11
		intrinsically safe systems	IEC 60079-25 EN 60079-25
		FISCO: fieldbus intrinsically-safe concept	IEC 60079-27 EN 60079-27 ISA 60079-27
oil immersion	ob	transformers, starting resistors	IEC 60079-6 EN 60079-6 ISA 60079-6
powder filling	qb	sensors, display units, electronic ballasts, transmitters	IEC 60079-5 EN 60079-5 ISA 60079-5
encapsulation	ma mb mc	switchgear with small capacity, control and signalling units, display units, sensors	IEC 60079-18 EN 60079-18 ISA 60079-18
type of protection "n"	nAc nCc nRc	all electrical equipment for Zone 2 nA = non-sparking device nC = sparking devices and components nL = energy limited apparatus nR = restricted breathing enclosures	IEC 60079-15 EN 60079-15 ISA 60079-15
optical radiation	op_a op_b op_c	op is = inherently safe optical radiation	IEC 60079-28 EN 60079-28
		op pr = protected optical radiation	
		op sh = optical radiation interlock	

## Types of protection for electrical equipment in explosive dust atmospheres

Type of protection	Symbol	Main application	Norm
protection by enclosures	ta tb tc	switchgear, control stations, junction boxes, control boxes, motors, light fittings	IEC 60079-31 EN 60079-31 ISA 60079-31
		pressurization	IEC 60079-2 EN 60079-2 ISA 60079-2
		intrinsic safety	instrumentation technology, fieldbus technology, sensors, actuators [Ex ib] = associated electrical apparatus - installation in the safe area
encapsulation	ma mb mc	switchgear with small capacity, control and signalling units, display units, sensors	IEC 60079-18 EN 60079-18 ISA 60079-18



# Temperature class

Classification of the maximum surface temperatures into temperature classes for electrical equipment of group II

Temperature class ATEX/IECEX	Temperature class NEC/UL (AEx)	Maximum surface temperature	
T1	T1	450 °C	842 °F
T2	T2	300 °C	572 °F
	T2A	280 °C	536 °F
	T2B	260 °C	500 °F
	T2C	230 °C	446 °F
T3	T2D	215 °C	419 °F
	T3	200 °C	392 °F
	T3A	180 °C	356 °F
	T3B	165 °C	329 °F
T4	T3C	160 °C	320 °F
	T4	135 °C	275 °F
	T4A	120 °C	248 °F
T5	T5	100 °C	212 °F
T6	T6	85 °C	185 °F
IEC/DIN EN 60079-0	NEC500ff	°C	°F

# Certifications worldwide



# IP class of protection to DIN EN 60529

The ingress protection class or IP rating is indicated by a code consisting of the two letters IP and two digits representing the class of protection.

Example: **IP 65**  
 |        |  
       2nd digit: protection from liquids  
       1st digit: protection from solid bodies

## Protection against intrusion of external particle matter (1st digit)

Code digit		
0		No protection
1		Protection against ingress of large solid bodies with diameter > 50 mm. (Protection to prevent dangerous parts being touched with the back of the hand.)
2		Protection against ingress of large solid bodies with diameter > 12.5 mm. (Protection to prevent dangerous parts being touched with the fingers.)
3		Protection against ingress of large solid bodies with diameter > 2.5 mm. (Protection to prevent dangerous parts being touched with a tool.)
4		Protection against ingress of large solid bodies with diameter > 1 mm. (Protection to prevent dangerous parts being touched with a piece of wire.)
5		Protection against harmful deposits of dust, which cannot enter in an amount sufficient to interfere with satisfactory operation.
6		Complete protection against ingress of dust.

## Protection against penetration of liquids (2nd digit)

Code digit		
0		No protection
1		Protection against drops of condensed water falling vertically.
2		Protection against drops of liquid falling at an angle of 15° with respect to the vertical.
3		Protection against drops of liquid falling at an angle of 60° with respect to the vertical.
4		Protection against liquids splashed from any direction.
5		Protection against water jets projected by a nozzle from any direction.
6		Protection against water from heavy sea on ships' decks.
7		Protection against immersion in water under defined conditions of pressure and time.
8		Protection against indefinite immersion in water under defined conditions of pressure (which must be agreed between manufacturer and user and must be more adverse than number 7).

## Definition of the protection degrees according to NEMA, UL and CSA

Type	NEMA	UL	CSA
Designation	National Electrical Manufacturers Association NEMA 250-1991	Underwriters Laboratories Inc. UL 50 und UL 508	Canadian Standards Association CSA-C22.2 No. 94-M91
<b>Type 1</b>	Enclosure predominately for indoor use. Protection against penetration by solid foreign bodies.	Enclosure predominately for indoor use. Protection against penetration by solid foreign bodies.	Enclosure for general use. Protection against accidental contact with live components.
<b>Type 2</b>	Enclosure predominately for indoor use. Protection against penetration by solid foreign bodies and water.	Enclosure predominately for indoor use. Protection against penetration by solid foreign bodies and water.	Enclosure for indoor use. Protection against non-corrosive drops/splashes of liquid and foreign bodies.
<b>Type 3</b>	Enclosure predominately for indoor use. Protection against penetration by rainfall and dust as well as damage due to ice formation.	Enclosure predominately for indoor use. Protection against penetration by rainfall and dust as well as damage due to ice formation.	Enclosure for indoor or outdoor use. Protection against penetration by rainfall and snow as well as damage due to ice formation.
<b>Type 3R</b>	Enclosure predominately for indoor use. Protection against rain and snow as damage due to ice-formation.	Enclosure predominately for indoor use. Protection against rain and snow as damage due to ice-formation.	Enclosure for indoor or outdoor use. Protection against penetration by rainfall and snow as well as damage due to ice formation.
<b>Type 3S</b>	Enclosure predominately for indoor use. Protection against rain, snow and foreign bodies. External mechanisms can be operated despite ice accumulation.	Enclosure predominately for indoor use. Protection against rain, snow and foreign bodies. External mechanisms can be operated despite ice accumulation.	Enclosure for indoor or outdoor use. Protection against rain, snow and foreign bodies. External mechanisms can be operated despite ice accumulation.
<b>Type 4</b>	Enclosure for indoor or outdoor use. Protection against rain, foreign bodies, splashing water and hose water as well as damage due to ice-formation on the outside of the enclosure.	Enclosure for indoor or outdoor use. Protection against rain, foreign bodies, splashing water and hose water as well as damage due to ice-formation on the outside of the enclosure.	Enclosure for indoor or outdoor use. Protection against rain, snow, foreign bodies, splashing water and hose water as well as damage due to ice-formation on the outside of the enclosure.
<b>Type 4X</b>	Enclosure for indoor or outdoor use. Protection against corrosion, rain, foreign bodies, splashing water and hose water as well as damage due to ice-formation on the outside of the enclosure.	Enclosure for indoor or outdoor use. Protection against corrosion, rain, foreign bodies, splashing water and hose water as well as damage due to ice-formation on the outside of the enclosure.	Enclosure for indoor or outdoor use. Protection against rain, foreign bodies, splashing water and hose water as well as damage due to ice-formation on the outside of the enclosure.
<b>Type 6</b>	Enclosure for indoor or outdoor use. Protection against hose water as well as against penetration by water during immersion; protection damage due to ice formation on the outside of the enclosure.	Enclosure for indoor or outdoor use. Protection against hose water as well as against penetration by water during immersion; protection damage due to ice formation on the outside of the enclosure.	Enclosure for indoor or outdoor use. Protection against penetration by water during immersion; protection damage due to ice formation on the outside of the enclosure.
<b>Type 12</b>	Enclosure for indoor use. Protection against dust accumulation, foreign bodies and non-corrosive drops of liquids.	Enclosure for indoor use. Protection against dust accumulation, foreign bodies and non-corrosive drops of liquids.	Enclosure for indoor or outdoor use. Protection against a build-up of dust, fibres and foreign bodies as well as against non-corrosive liquid drips, without pre-formed openings.
<b>Type 13</b>	Enclosure for indoor use. Protection against dust build-up, splashing water, oil, and non-corrosive coolants.	Enclosure for indoor use. Protection against dust build-up, splashing water, oil, and non-corrosive coolants.	Enclosure for indoor or outdoor use. Protection against a build-up of dust, fibres and foreign bodies as well as against non-corrosive liquid sprays including oil and coolants.

# Guidelines for selecting cable glands

The sizes quoted were based on stranded cables. Please note the clamping range for the cable gland you have selected.

Cross-section	No. of conductors	Cable ø approx. mm	Metric cable glands						PG									
0.5 mm <sup>2</sup> AWG 20	2	5.7 - 8.7	12	16	20								9					
	3	6.0 - 9.0	12	16	20								9					
	4	6.7 - 9.7	12	16	20								9	11				
	5	7.2 - 10.2		16	20								9	11	13.5	16		
	6	7.6 - 10.6		16	20								9	11	13.5	16		
	7	8.0 - 10.6		16	20								9	11	13.5	16		
	8	9.4 - 12.8		16	20	25							9	11	13.5	16		
	10	9.4 - 12.8		16	20	25							9	11	13.5	16		
	12	9.7 - 12.9		16	20	25							9	11	13.5	16		
	14	10.2 - 13.4			20	25								11	13.5	16		
	16	10.7 - 13.9			20	25								11	13.5	16		
	21	12.3 - 15.1			20	25									13.5	16	21	
	24	13.5 - 16.7				25	32								13.5	16	21	
	30	14.3 - 17.5				25	32								16	21		
	35	16.0 - 18.6				25	32									21		
	40	16.6 - 19.2				25	32	40								21		
	52	19.2 - 21.6					32	40								21	29	
	61	20.3 - 23.1					32	40								21	29	
80	22.9 - 25.7					32	40									29	36	
100	26.4 - 29.6						40	50								29	36	
0.75 mm <sup>2</sup> AWG 18	2	6.8 - 9.8	12	16	20								9	11				
	3	7.2 - 9.7	12	16	20								9	11				
	4	7.9 - 10.3	12	16	20								9	11				
	5	8.9 - 10.9		16	20								9	11	13.5	16		
	6	8.9 - 12.3		16	20	25							9	11	13.5	16		
	7	9.6 - 12.3		16	20	25							9	11	13.5	16		
	8	10.4 - 13.8			20	25								11	13.5	16		
	9	10.7 - 13.9			20	25								11	13.5	16		
	10	10.4 - 13.8			20	25								11	13.5	16		
	12	10.7 - 13.9			20	25								11	13.5	16		
	15	12.3 - 13.5			20	25									13.5	16		
	18	13.0 - 16.2				25	32								13.5	16	21	
	21	13.6 - 16.8				25	32								13.5	16	21	
	25	15.9 - 18.5				25	32									21	29	
	32	17.1 - 19.7				25	32									21	29	
	40	19.0 - 21.4					32	40								21	29	
	50	21.3 - 24.1					32	40								21	29	
	61	22.6 - 25.4						40								21	29	36
80	26.1 - 29.3						40	50								29	36	
100	29.4 - 33.0						40	50									36	
1 mm <sup>2</sup> AWG 16-18	2	7.1 - 10.1	12	16	20								9	11				
	3	7.5 - 10.1	12	16	20								9	11				
	4	8.4 - 10.7		16	20								9	11	13.5			
	5	9.2 - 11.4		16	20	25							9	11	13.5	16		
	6	9.2 - 12.6		16	20	25							9	11	13.5	16		
	7	9.2 - 12.6		16	20	25							9	11	13.5	16		
	8	11.0 - 14.4			20	25								11	13.5	16	21	
	9	11.8 - 15.2			20	25	32							11	13.5	16	21	
	10	11.0 - 14.4			20	25	32							11	13.5	16	21	
	12	11.8 - 14.6			20	25	32							11	13.5	16	21	
	14	12.4 - 15.2			20	25	32								13.5	16	21	
	16	13.0 - 16.2				25	32								13.5	16	21	
	18	13.7 - 16.9				25	32								13.5	16	21	
	20	14.4 - 17.6				25	32	40							16	21		
	24	16.5 - 19.1				25	32	40								21	29	
	25	16.9 - 19.5				25	32	40								21	29	
	34	19.4 - 21.8					32	40								21	29	
	48	22.0 - 24.8						40								21	29	
56	23.2 - 26.0						40	50							21	29	36	
61	24.5 - 27.2						40	50								29	36	
80	27.7 - 30.9						40	50									36	
100	31.8 - 35.2						40	50	63								36	42

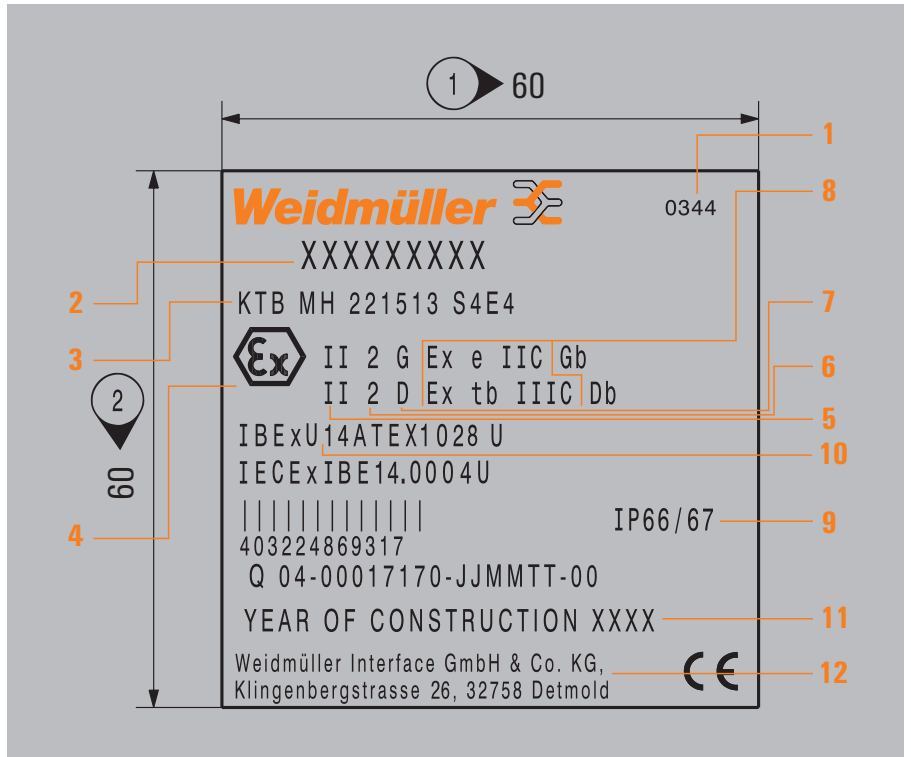
Cross-section	No. of conductors	Cable ø approx. mm	Metric cable glands				PG					
1.5 mm <sup>2</sup> AWG 16	2	8.0 - 11.0	12	16	20	9	11	13.5	16			
	3	8.7 - 11.0	16	20	25	9	11	13.5	16			
	4	9.7 - 11.8	16	20	25	9	11	13.5	16			
	5	10.8 - 13.0		20	25		11	13.5	16			
	6	10.8 - 14.2		20	25		11	13.5	16			
	7	10.8 - 14.2		20	25		11	13.5	16			
	8	13.2 - 16.6			25	32		13.5	16	21		
	11	13.6 - 16.8			25	32		13.5	16	21		
	12	17.6 - 16.8			25	32		13.5	16	21		
	14	14.4 - 17.6			25	32			16	21		
	16	15.8 - 18.4			25	32			16	21		
	18	16.6 - 19.2			25	32			21	29		
	20	17.4 - 20.0			25	32	40		21	29		
	25	20.2 - 23.0				32	40		21	29		
	32	23.8 - 24.5					40			29	36	
	34	22.6 - 25.4					40			29	36	
	42	25.8 - 29.0					40	50		29	36	
	50	27.0 - 30.2					40	50		29	36	
	56	27.8 - 31.0					40	50		29	36	
	61	28.6 - 31.8					40	50			36	
80	33.0 - 36.4						50	63		36	42	
90	34.6 - 37.6						50	63		36	42	
100	37.8 - 41.4						50	63			42	
2.5 mm <sup>2</sup> AWG 12-14	2	9.8 - 12.8	16	20	25	9	11	13.5	16			
	3	10.6 - 13.4		20	25		11	13.5	16			
	4	11.7 - 14.4		20	25		11	13.5	16			
	5	13.0 - 16.4		20	25	32		13.5	16	21		
	6	13.3 - 16.7			25	32		13.5	16	21		
	7	13.3 - 16.7			25	32		13.5	16	21		
	8	17.4 - 20.8			25	32	40		21	29		
	11	18.0 - 20.6			25	32	40		21	29		
	16	20.6 - 23.4				32	40		21	29		
	18	21.7 - 24.5					40			29	36	
	25	26.4 - 29.6					40	50		29	36	
	34	31.3 - 33.1					40	50			36	42
	50	37.0 - 39.4						50	63			42
	61	39.0 - 41.5						50	63			42
4 mm <sup>2</sup> AWG 10-12	2	10.7 - 14.1		20	25		11	13.5	16	21		
	4	13.0 - 16.4			25	32		13.5	16	21		
	5	14.3 - 17.7			25	32			16	21		
	7	16.2 - 19.6			25	32				21	29	36
	11	ca. 24.5					40			29	36	

**Note:**  
The values can differ between manufacturers. These figures should be considered as rough guidelines.



# Ratings plate of an Ex-certified empty enclosure

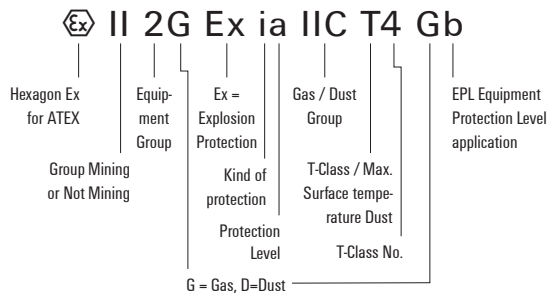
- 1 Number of the notified body
- 2 Part No.
- 3 Part designation
- 4 Ex marking
- 5 Equipment group
- 6 Device category
- 7 • G Gas (gas)  
• D flammable dust
- 8 Explosion protection type
- 9 IP ingress protection class (DIN EN 60529)
- 10 EC type-examination certificate
- 11 Year of manufacture
- 12 Name and address of manufacturer



# Type label for enclosure assemblies

- 1 Certification conditions and logo
- 2 Name and address of manufacturer
- 3 Approval number
- 4 Part designation
- 5 Part No.
- 6 Serial number
- 7 Year of Construction
- 8 IP ingress protection class
- 9 Ambient temperature
- 10 Approval number
- 11 Ex marking

Example:



**Weidmüller**

Weidmüller Interface GmbH & Co. KG 2  
 Klingenbergstr. 26 – D 32758 Detmold

4 Type: Klippon TB MH 303020

5 P/N: 9876543219

6 S/N: XA-DE-A-0000

7 Year of Construction: 2018

8 IP 66

Rated voltage: 600 [V]      Cable size: 4 [mm<sup>2</sup>]  
 Rated current: 21 [A]      9 T amb: - 20 °C ... + 55 °C

11 Class I Zone 1 AEx e IIC T4 Gb

**LISTED**  
 Junction Box for HAZ. LOC.  
 E223792  
3

NEMA TYPE: 4x

---

W A R N I N G - DO NOT OPEN WHEN ENERGIZED

**Weidmüller**

Weidmüller Interface GmbH & Co. KG 2  
 Klingenbergstr. 26 – D 32758 Detmold

4 Type: Klippon TB MH 303020

5 P/N: 9876543219

6 S/N: XA-DE-A-0000

7 Year of Construction: 2018

8 IP 66

Rated voltage: 600 [V]      Cable size: 4 [mm<sup>2</sup>]  
 Rated current: 21 [A]      9 T amb: - 20 °C ... + 55 °C

10 IExU14ATEX1050

11 II 2G Ex eb IIC T4 Gb

10 IECEx IBE 14.0013  
 11 Ex eb IIC T4 Gb

1  
 0344

---

W A R N I N G - DO NOT OPEN WHEN ENERGIZED





# Index

---

<b>Index</b>	Index Type	X.2
	Index Order No.	X.13
	Addresses worldwide	X.24

---

Type	Order No.	Page
<b>A</b>		
A2L/16/M16-WM	1186880000	D.18
A2L/16/NPT1/2-WM	1186890000	D.18
A2L/16/NPT3/4-WM	1187100000	D.18
A2L/20/M20-WM	1186900000	D.18
A2L/20/NPT1/2-WM	1187010000	D.18
A2L/20/NPT3/4-WM	1187120000	D.18
A2L/20S/M20-WM	1186890000	D.18
A2L/20S/NPT1/2-WM	1187000000	D.18
A2L/20S/NPT3/4-WM	1187110000	D.18
A2L/25/M25-WM	1186910000	D.18
A2L/25/NPT1-WM	1187130000	D.18
A2L/25/NPT3/4-WM	1187200000	D.18
A2L/32/M32-WM	1186920000	D.18
A2L/32/NPT1/1-1/4-WM	1187140000	D.18
A2L/32/NPT1-WM	1187030000	D.18
A2L/40/M40-WM	1186930000	D.18
A2L/40/NPT1/1-2-WM	1187150000	D.18
A2L/40/NPT1/1-4-WM	1187040000	D.18
A2L/50/M50-WM	1186950000	D.18
A2L/50/NPT2-WM	1187070000	D.18
A2L/50S/M50-WM	1186940000	D.18
A2L/50S/NPT1/1-2-WM	1187050000	D.18
A2L/50S/NPT2-WM	1187160000	D.18
A2L/63/M63-WM	1186980000	D.18
A2L/63/NPT2/1-2-WM	1187090000	D.18
A2L/63S/M63-WM	1186970000	D.18
A2L/63S/NPT2/1-2-WM	1187170000	D.18
A2L/63S/NPT2-WM	1187080000	D.18
A2L/63S/NPT2/1-2-NPT2	1205080000	D.24
A2L/63S/M63-NPT2/1-2F	1205190000	D.24
A2L/63S/M63-NPT2-F-WM	1205270000	D.24
A2L/63S/NPT2/1-2-M20F-WM	1205330000	D.25
A2L/63S/NPT1/2-NPT1/2F	1205640000	D.26
A2L/63S/NPT1/2-NPT3/4F	1206310000	D.26
A2L/63S/NPT3/4-M20F-WM	1205450000	D.25
A2L/63S/NPT3/4-NPT1/2F	1206860000	D.26
A2L/63S/NPT3/4-NPT3/4F	1206540000	D.25
A2L/63S/NPT3/4-M20F-WM	1205110000	D.24
A2L/63S/M20-NPT1/2F-WM	1205220000	D.24
A2L/63S/NPT3/4F-WM	1205290000	D.24
A2L/63S/NPT1/2-M20F-WM	1205350000	D.25
A2L/63S/NPT1/2-NPT1/2F	1205670000	D.26
A2L/63S/NPT1/2-NPT3/4F	1206320000	D.26
A2L/63S/NPT3/4-M20F-WM	1205470000	D.25
A2L/63S/NPT1/2-NPT1/2F	1206660000	D.26
A2L/63S/NPT3/4-NPT3/4F	1206540000	D.25
A2L/63S/NPT3/4-NPT1/2F	1206590000	D.25
A2L/63S/NPT3/4-NPT1/4F	12065210000	D.24
A2L/63S/M20-NPT3/4F-WM	1205280000	D.24
A2L/63S/NPT1/2-M20F-WM	1205340000	D.25
A2L/63S/NPT1/2-NPT1/2F	1205660000	D.26
A2L/63S/NPT1/2-NPT3/4F	1205960000	D.26
A2L/63S/NPT3/4-M20F-WM	1205460000	D.25
A2L/63S/NPT3/4-NPT1/2F	1206670000	D.26
A2L/63S/NPT3/4-NPT3/4F	1206550000	D.25
A2L/63S/M25-M25F-WM	1205120000	D.24
A2L/63S/M25-NPT1F-WM	1205310000	D.24
A2L/63S/M25-NPT3/4F-WM	1205230000	D.24
A2L/63S/NPT1-M25F-WM	1205480000	D.25
A2L/63S/NPT1-NPT1F-WM	1205520000	D.26
A2L/63S/NPT1-NPT3/4F-WM	1205510000	D.26
A2L/63S/NPT3/4-M25F-WM	1205360000	D.25
A2L/63S/NPT3/4-NPT1F-WM	1205440000	D.26
A2L/63S/NPT3/4-NPT3/4F	1205680000	D.26
A2L/63S/M32-M32F-WM	1205130000	D.24
A2L/63S/M32-NPT1/1-4F	1205580000	D.24
A2L/63S/M32-NPT1F-WM	1205240000	D.24
A2L/63S/NPT1/1-4-M32F	1206390000	D.26
A2L/63S/NPT1/1-4-NPT1-1	1206630000	D.25
A2L/63S/NPT1/1-4-NPT1F	1206620000	D.25
A2L/63S/NPT1/1-4-NPT1F	1206370000	D.25
A2L/63S/NPT1-NPT1F-WM	1206330000	D.26
A2L/63S/NPT1-NPT1F-WM	1205410000	D.26
A2L/63S/M40-M40F-WM	1205140000	D.24
A2L/63S/M40-NPT1/1-2F	1205070000	D.24
A2L/63S/M40-NPT1/1-4F	1205550000	D.24
A2L/63S/NPT1/1-2-M40F	1206710000	D.25
A2L/63S/NPT1/1-2-NPT1	1206590000	D.26
A2L/63S/NPT1/1-2-NPT1-1	1206640000	D.26
A2L/63S/NPT1/1-4-M40F	1205610000	D.25
A2L/63S/NPT1/1-4-NPT1	1206360000	D.25
A2L/63S/M50-M50F-WM	1205180000	D.24
A2L/63S/M50-NPT2F-WM	1205250000	D.24
A2L/63S/NPT2-M50F-WM	1205380000	D.25
A2L/63S/NPT2-NPT2F-WM	1205420000	D.26
A2L/63S/M50-M50-WM	1205150000	D.24
A2L/63S/M50-NPT1/1-2F	1205560000	D.24
A2L/63S/M50-NPT2F-WM	1205320000	D.24
A2L/63S/NPT1/1-2-M50F	1205620000	D.25
A2L/63S/NPT1/1-2-NPT1	1206280000	D.26
A2L/63S/NPT1/1-2-NPT2F	1206380000	D.26
A2L/63S/NPT2-M50F-WM	1205490000	D.25
A2L/63S/NPT2-NPT1-1/2F	1205690000	D.26
A2L/63S/M50-M50F-WM	1205180000	D.24
A2L/63S/M63-NPT2/1-2F	1205570000	D.24
A2L/63S/NPT2/1-2-M63F	1205630000	D.25

Type	Order No.	Page
A2LC/63/NPT2/1-2-NPT2	1206290000	D.26
A2LC/63S/M63-M63F-WM	1205170000	D.24
A2LC/63S/M63-NPT2/1-2F	1205590000	D.24
A2LC/63S/M63-NPT2F-WM	1205260000	D.24
A2LC/63S/NPT2/1-2-M63F	1206690000	D.25
A2LC/63S/NPT2/1-2-NPT2	1206650000	D.26
A2LC/63S/NPT2/1-2-NPT2F	1206570000	D.26
A2LC/63S/NPT2-M63F-WM	1205390000	D.25
A2LC/63S/NPT2-NPT2/1-2F	1206370000	D.26
A2LC/63S/NPT2-NPT2F-WM	1205430000	D.26
A2LCS/16/M16-M20F-WM	1187180000	D.27
A2LCS/16/M16-NPT1/2F-WM	1187280000	D.27
A2LCS/16/M16-NPT3/4F-WM	1187380000	D.27
A2LCS/16/NPT1/2-M20F-WM	1187460000	D.28
A2LCS/16/NPT1/2-NPT1/2	1187560000	D.29
A2LCS/16/NPT1/2-NPT3/4F	1187660000	D.29
A2LCS/16/NPT3/4-M20F-WM	1187740000	D.28
A2LCS/16/NPT3/4-NPT1/2F	1187820000	D.29
A2LCS/16/NPT3/4-NPT3/4	1187900000	D.29
A2LCS/20/M20-M20F-WM	1187200000	D.27
A2LCS/20/M20-NPT1/2F-WM	1187300000	D.27
A2LCS/20/M20-NPT3/4F-WM	1187400000	D.27
A2LCS/20/NPT1/2-M20F-WM	1187480000	D.28
A2LCS/20/NPT1/2-NPT1/2	1187580000	D.29
A2LCS/20/NPT1/2-NPT3/4F	1187680000	D.29
A2LCS/20/NPT3/4-M20F-WM	1187760000	D.28
A2LCS/20/NPT3/4-NPT	1187840000	D.29
A2LCS/20/NPT3/4-NPT3/4F	1187920000	D.29
A2LCS/20S/M20-M20F-WM	1187190000	D.27
A2LCS/20S/M20-NPT1/2F	1187290000	D.27
A2LCS/20S/M20-NPT3/4F	1187390000	D.27
A2LCS/20S/NPT1/2-M20F	1187470000	D.28
A2LCS/20S/NPT1/2-NPT1/2	1187570000	D.29
A2LCS/20S/NPT1/2-NPT3/4	1187670000	D.29
A2LCS/20S/NPT3/4-M20F	1187750000	D.28
A2LCS/20S/NPT3/4-NPT1/2	1187830000	D.29
A2LCS/20S/NPT3/4-NPT3/4	1187910000	D.29
A2LCS/25/M25-M25F-WM	1187210000	D.27
A2LCS/25/M25-NPT1F-WM	1187410000	D.27
A2LCS/25/M25-NPT3/4F-WM	1187310000	D.27
A2LCS/25/NPT1-M25F-WM	1187770000	D.28
A2LCS/25/NPT1-NPT1F-WM	1187930000	D.29
A2LCS/25/NPT1-NPT3/4F	1187850000	D.29
A2LCS/25/NPT3/4-M25F-WM	1187490000	D.28
A2LCS/25/NPT3/4-NPT1F	1187690000	D.29
A2LCS/25/NPT3/4-NPT3/4	1187590000	D.29
A2LCS/32/M32-M32F-WM	1187220000	D.27
A2LCS/32/M32-NPT1/1-4F	1187420000	D.27
A2LCS/32/M32-NPT1F-WM	1187320000	D.27
A2LCS/32/NPT1/1-4-M32F	1187780000	D.28
A2LCS/32/NPT1/1-4-NPT1	1187940000	D.28
A2LCS/32/NPT1-M32F-WM	1187500000	D.29
A2LCS/32/NPT1-NPT1/1-4F	1187700000	D.29
A2LCS/32/NPT1-NPT1F-WM	1187600000	D.29
A2LCS/40/M40-M40F-WM	1187230000	D.27
A2LCS/40/M40-NPT1/1-2F	1187430000	D.27
A2LCS/40/M40-NPT1/1-4F	1187330000	D.27
A2LCS/40/NPT1/1-2-M40F	1187790000	D.28
A2LCS/40/NPT1/1-2-NPT1	1187950000	D.29
A2LCS/40/NPT1/1-4-M40F	1187510000	D.28
A2LCS/40/NPT1/1-4-NPT1	1187710000	D.29
A2LCS/50/M50-M50F-WM	1187250000	D.27
A2LCS/50/M50-NPT2F-WM	1187350000	D.27
A2LCS/50/NPT2-M50F-WM	1187530000	D.28
A2LCS/50/NPT2-NPT2F-WM	1187630000	D.29
A2LCS/50S/M50-M50F-WM	1187240000	D.27
A2LCS/50S/M50-NPT1/1-2F	1187340000	D.27
A2LCS/50S/M50-NPT2F-WM	1187440000	D.27
A2LCS/50S/NPT1/1-2-M50F	1187520000	D.28
A2LCS/50S/NPT1/1-2-NPT1	1187620000	D.29
A2LCS/50S/NPT1/1-2-NPT2	1187720000	D.29
A2LCS/50S/NPT2-M50F-WM	1187800000	D.28
A2LCS/50S/NPT2-NPT1/1-2	1187880000	D.29
A2LCS/50S/NPT2-NPT2F-WM	1187960000	D.29
A2LCS/63/M63-M63F-WM	1187270000	D.27
A2LCS/63/M63-NPT2/1-2F	1187370000	D.27
A2LCS/63/NPT2/1-2-M63F	1187550000	D.28
A2LCS/63/NPT2/1-2-NPT2	1187650000	D.29
A2LCS/63S/M63-M63F-WM	1187260000	D.27
A2LCS/63S/M63-NPT2/1-2F	1187450000	D.27
A2LCS/63S/M63-NPT2F-WM	1187360000	D.27
A2LCS/63S/NPT2/1-2-M63F	1187810000	D.28
A2LCS/63S/NPT2/1-2-NPT	1187970000	D.29
A2LCS/63S/NPT2/1-2-NPT2	1187890000	D.29
A2LCS/63S/NPT2-M63F-WM	1187540000	D.28
A2LCS/63S/NPT2-NPT2/1-2	1187730000	D.29
A2LCS/63S/NPT2-NPT2F-WM	1187640000	D.29
A2LCS/16/M16-WM	1185280000	D.19
A2LS/16/NPT1/2-WM	1185390000	D.19
A2LS/16/NPT3/4-WM	1185500000	D.19
A2LS/20/M20-WM	1185300000	D.19
A2LS/20/NPT1/2-WM	1185410000	D.19
A2LS/20/NPT3/4-WM	1185520000	D.19
A2LS/20S/M20-WM	1185290000	D.19
A2LS/20S/NPT1/2-WM	1185400000	D.19
A2LS/20S/NPT3/4-WM	1185510000	D.19
A2LS/25/M25-WM	1185310000	D.19
A2LS/25/NPT1-WM	1185530000	D.19
A2LS/25/NPT3/4-WM	1185420000	D.19

Type	Order No.	Page
A2LS/32/M32-WM	1185320000	D.19
A2LS/32/NPT1/1-1/4-WM	1185400000	D.19
A2LS/32/NPT1-WM	1185430000	D.19
A2LS/40/M40-WM	1185330000	D.19
A2LS/40/NPT1/1-2-WM	1185550000	D.19
A2LS/40/NPT1/1-4-WM	1185440000	D.19
A2LS/50/M50-WM	1185350000	D.19
A2LS/50/NPT2-WM	1185470000	D.19
A2LS/50S/M50-WM	1185340000	D.19
A2LS/50S/NPT1/1-2-WM	1185450000	D.19
A2LS/50S/NPT2-WM	1185570000	D.19
A2LS/63/M63-WM	1185380000	D.19
A2LS/63/NPT2/1-2-WM	1185490000	D.19
A2LS/63S/M63-WM	1185370000	D.19
A2LS/63S/NPT2/1-2-WM	1185880000	D.19
A2LS/63S/NPT2/1-2-WM	1185480000	D.19
ADAP M16-M20-W	1262730000	D.54
ADAP M16-NPT1/2-W	1262840000	D.54
ADAP M16-NPT3/4-W	1262850000	D.54
ADAP M20-M16-W	1262740000	D.54
ADAP M20-M25-W	1262750000	D.54
ADAP M20-NPT1/2-W	1262860000	D.54
ADAP M20-NPT3/4-W	1262870000	D.54
ADAP M25-M20-W	1262760000	D.54
ADAP M25-M32-W	1262770000	D.54
ADAP M25-NPT1/2-W	1262880000	D.54
ADAP M25-NPT1-W	1262900000	D.54
ADAP M25-NPT3/4-W	1262890000	D.54
ADAP M32-M25-W	1262780000	D.54
ADAP M32-M40-W	1262790000	D.54
ADAP M32-NPT1/1-2-W	1262950000	D.54
ADAP M32-NPT1/1-4-W	1262940000	D.54
ADAP M32-NPT1-W	1262930000	D.54
ADAP M32-NPT3/4-W	1262910000	D.54
ADAP M32-N		





Type	Order No.	Page	Type	Order No.	Page	Type	Order No.	Page	Type	Order No.	Page
KEB MOPL 5040 MSZN	8000074175	C.80	KEBXS303015S4B1 AK	8000071018	C.72	KLIPPN BDX M20X15 S	2519570000	C.193	KLIPPN K02 VMQ RAL7001	1937840000	C.150
KEB MOPL 5040 MSZN	8000074175	C.93	KEBXS303015S4B1 AK	8000071018	C.75	KLIPPN BDX M20X15 S	2519570000	C.194	KLIPPN K02 VMQ RAL7001	1937840000	C.154
KEB MOPL 5040 S2N H	8000074321	C.80	KEBXS303020S4B1 AK	8000071019	C.72	KLIPPN BDX M20X15 S	2519570000	C.195	KLIPPN K1	0342000000	C.150
KEB MOPL 5040 S2N H	8000074321	C.93	KEBXS303020S4B1 AK	8000071019	C.76	KLIPPN BDX M20X15 S	2519570000	C.196	KLIPPN K1	0342000000	C.155
KEB MOPL 5050 MSZN	8000074176	C.81	KEBXS403020S4B1 AK	8000071020	C.72	KLIPPN BDX M20X15 S	2519570000	C.197	KLIPPN K1	342000000	C.172
KEB MOPL 5050 MSZN	8000074176	C.94	KEBXS403020S4B1 AK	8000071020	C.77	KLIPPN BDX M20X15 S	2519570000	C.198	KLIPPN K1 1.5M16AB CSS	8000004147	C.172
KEB MOPL 5050 S2N H	8000074322	C.81	KEBXS404020S4B1 AK	8000071021	C.72	KLIPPN BDX M20X15 S	2519570000	C.199	KLIPPN K1 1M20AB CSS	8000004148	C.172
KEB MOPL 5050 S2N H	8000074322	C.94	KEBXS404020S4B1 AK	8000071021	C.78	KLIPPN BDX M20X15 S	2519570000	C.200	KLIPPN K1 EX	9526840000	C.150
KEB MOPL 5060 MSZN	8000074177	C.82	KEBXS406020S4B1 AK	8000071022	C.72	KLIPPN BDX M20X15 S	2519570000	C.201	KLIPPN K1 EX RAL7001	1329630000	C.150
KEB MOPL 5060 MSZN	8000074177	C.95	KEBXS406020S4B1 AK	8000071022	C.79	KLIPPN BDX M20X15 S	2519570000	C.202	KLIPPN K1 M16BCSS EX	8000004202	C.172
KEB MOPL 5060 S2N H	8000074323	C.82	KEBXS406020S4B1 AK	8000071023	C.72	KLIPPN BDX M20X15 S	2519570000	C.203	KLIPPN K1 M20BCSS EX	8000004203	C.172
KEB MOPL 5060 S2N H	8000074323	C.95	KEBXS406020S4B1 AK	8000071023	C.80	KLIPPN BDX M20X15 S	2519570000	C.204	KLIPPN K1 RAL7001	9529120000	C.150
KEB MOPL 6040 MSZN	8000074178	C.83	KEBXS505020S4B1 AK	8000071024	C.72	KLIPPN BDX M20X15 S	2519570000	D.52	KLIPPN K1 RAL7001	9529120000	C.155
KEB MOPL 6040 MSZN	8000074178	C.96	KEBXS505020S4B1 AK	8000071024	C.81	KLIPPN BDX M25 S	2519590000	D.52	KLIPPN K1 VMQ	1339660000	C.150
KEB MOPL 6040 S2N H	8000074324	C.83	KEBXS506020S4B1 AK	8000071026	C.72	KLIPPN COPL 080806	1390910000	C.188	KLIPPN K1 VMQ	1339660000	C.155
KEB MOPL 6040 S2N H	8000074324	C.96	KEBXS506020S4B1 AK	8000071026	C.82	KLIPPN COPL 081106	1390920000	C.189	KLIPPN K1 VMQ RAL7001	1937630000	C.150
KEB MOPL 8060 MSZN	8000074179	C.84	KEBXS604020S4B1 AK	8000071029	C.72	KLIPPN COPL 081606	1390930000	C.190	KLIPPN K1 VMQ RAL7001	1937630000	C.155
KEB MOPL 8060 MSZN	8000074179	C.97	KEBXS604020S4B1 AK	8000071029	C.83	KLIPPN COPL 081906	1390940000	C.191	KLIPPN K11	0573300000	C.150
KEB MOPL 8060 S2N H	8000074325	C.84	KEBXS806020S4B1 AK	8000071030	C.72	KLIPPN COPL 082306	1390950000	C.192	KLIPPN K11	0573300000	C.156
KEB MOPL 8060 S2N H	8000074325	C.97	KEBXS806020S4B1 AK	8000071030	C.84	KLIPPN COPL 121209	1390970000	C.193	KLIPPN K11	0573300000	C.172
KEBI QL 302015 S2B0	2470690000	C.100	KEBXL202020S4B1 AK	8000071033	C.86	KLIPPN COPL 122209	1390980000	C.194	KLIPPN K11 2M16AB CSS	8000004149	C.172
KEBI QL 302015 S2B0	2470690000	C.102	KEBXL202020S4B1 AK	8000071033	C.88	KLIPPN COPL 161609	1390990000	C.195	KLIPPN K11 2M20AB CSS	8000004150	C.172
KEBI QL 302015 S2B1	2470800000	C.100	KEBXL303020S4B1 AK	8000071034	C.86	KLIPPN COPL 162609	1391000000	C.196	KLIPPN K11 EX	9526850000	C.150
KEBI QL 302015 S2B1	2470800000	C.102	KEBXL303020S4B1 AK	8000071034	C.89	KLIPPN COPL 163609	1391010000	C.197	KLIPPN K11 EX RAL7001	1329640000	C.150
KEBI QL 303015 S2B0	2470700000	C.100	KEBXL403030S4B1 AK	8000071035	C.86	KLIPPN COPL 165609	1391020000	C.198	KLIPPN K11 M16ACSS EX	8000004207	C.172
KEBI QL 303015 S2B0	2470700000	C.103	KEBXL403030S4B1 AK	8000071035	C.90	KLIPPN COPL 252512/16	1391030000	C.199	KLIPPN K11 M16ZCSS EX	8000004204	C.172
KEBI QL 303015 S2B1	2470810000	C.100	KEBXL404030S4B1 AK	8000071036	C.86	KLIPPN COPL 252512/16	1391030000	C.200	KLIPPN K11 M20ACSS EX	8000004209	C.172
KEBI QL 303015 S2B1	2470810000	C.103	KEBXL404030S4B1 AK	8000071036	C.91	KLIPPN COPL 254012/16	1391040000	C.201	KLIPPN K11 M20ZCSS EX	8000004208	C.172
KEBI QL 303022 S2B0	2470710000	C.100	KEBXL406030S4B1 AK	8000071037	C.86	KLIPPN COPL 254012/16	1391040000	C.202	KLIPPN K11 RAL7001	9529130000	C.150
KEBI QL 303022 S2B0	2470710000	C.104	KEBXL406030S4B1 AK	8000071037	C.92	KLIPPN COPL 256012	1391050000	C.203	KLIPPN K11 RAL7001	9529130000	C.156
KEBI QL 303022 S2B1	2470820000	C.100	KEBXL504030S4B1 AK	8000071038	C.86	KLIPPN COPL 404012	1391070000	C.204	KLIPPN K11 VMQ	1339670000	C.150
KEBI QL 303022 S2B1	2470820000	C.104	KEBXL504030S4B1 AK	8000071038	C.93	KLIPPN CS K41-1	1537470000	C.178	KLIPPN K11 VMQ	1339670000	C.156
KEBI QL 403015 S2B0	2470720000	C.100	KEBXL505030S4B1 AK	8000071039	C.86	KLIPPN CS K41-1	1537480000	C.178	KLIPPN K11 M16ZCSS EX	1937910000	C.150
KEBI QL 403015 S2B0	2470720000	C.105	KEBXL505030S4B1 AK	8000071039	C.94	KLIPPN CS K41-1	1537490000	C.179	KLIPPN K11 VMQ RAL7001	1937910000	C.156
KEBI QL 403015 S2B1	2470830000	C.100	KEBXL506030S4B1 AK	8000071040	C.86	KLIPPN CS K41-1	1537500000	C.179	KLIPPN K2	0342100000	C.150
KEBI QL 403015 S2B1	2470830000	C.105	KEBXL506030S4B1 AK	8000071040	C.95	KLIPPN CS K41-4	1537510000	C.179	KLIPPN K2	0342100000	C.157
KEBI QL 403022 S2B0	2470730000	C.100	KEBXL604030S4B1 AK	8000071042	C.86	KLIPPN CS K41-4	1537520000	C.180	KLIPPN K2	0342100000	C.172
KEBI QL 403022 S2B0	2470730000	C.106	KEBXL604030S4B1 AK	8000071042	C.96	KLIPPN CS K41-4	1537530000	C.180	KLIPPN K2 2M20AB CSS	8000004151	C.172
KEBI QL 403022 S2B1	2470840000	C.100	KEBXL606030S4B1 AK	8000071043	C.86	KLIPPN CS K51-2	1537540000	C.181	KLIPPN K2 EX	9526860000	C.150
KEBI QL 403022 S2B1	2470840000	C.106	KEBXL606030S4B1 AK	8000071043	C.97	KLIPPN CS K51-2	1537550000	C.181	KLIPPN K2 EX RAL7001	1329650000	C.150
KEBI QL 404022 S2B0	2470740000	C.100	KISC M3X20.5/10 EK4	0303000000	C.144	KLIPPN CS K51-2	1537560000	C.181	KLIPPN K2 M20BCSS EX	8000004210	C.172
KEBI QL 404022 S2B0	2470740000	C.107	KISC M3X20.5/10 EK4	0303000000	C.145	KLIPPN CS K51-4	1537580000	C.182	KLIPPN K2 RAL7001	9529140000	C.150
KEBI QL 404022 S2B1	2470850000	C.100	KISC M3X20.5/10 EK4	0303000000	C.146	KLIPPN CS POK 121209-2	1537070000	C.218	KLIPPN K2 RAL7001	9529140000	C.157
KEBI QL 404022 S2B1	2470850000	C.107	KISC M3X20.5/10 EK4	0303000000	C.147	KLIPPN CS POK 121209-2	1537080000	C.218	KLIPPN K2 VMQ	1339680000	C.150
KEBI QL 504022 S2B0	2470750000	C.100	KISC M3X20.5/10 EK4	0303000000	C.226	KLIPPN CS POK 121209-2	1537090000	C.219	KLIPPN K2 VMQ	1339680000	C.157
KEBI QL 504022 S2B0	2470750000	C.108	KISC M3X20.5/10 EK4	0303000000	C.227	KLIPPN CS POK 121209-2	1537100000	C.219	KLIPPN K2 VMQ RAL7001	1937930000	C.150
KEBI QL 504022 S2B1	2470860000	C.100	KISC M3X20.5/10 EK4	0303000000	C.228	KLIPPN CS POK 121209-4	1537110000	C.219	KLIPPN K2 VMQ RAL7001	1937930000	C.157
KEBI QL 504022 S2B1	2470860000	C.108	KISC M3X20.5/10 EK4	0303000000	C.229	KLIPPN CS POK 121209-4	1537120000	C.220	KLIPPN K21	0573400000	C.150
KEBI QL 505022 S2B0	2470780000	C.100	KL SET 12W4 S	8000003444	C.172	KLIPPN CS POK 122209-2	1537130000	C.220	KLIPPN K21	0573400000	C.158
KEBI QL 505022 S2B0	2470780000	C.109	KL SET 12W4 S	8000003444	C.208	KLIPPN CS POK 122209-2	1537140000	C.221	KLIPPN K21	0573400000	C.172
KEBI QL 505022 S2B1	2470870000	C.100	KL SET 12W4 S	8000003444	C.211	KLIPPN CS POK 122209-2	1537150000	C.221	KLIPPN K21 3M16AB CSS	8000004152	C.172
KEBI QL 505022 S2B1	2470870000	C.109	KL SET 13A4 S	8000004134	C.172	KLIPPN CS POK 122209-2	1537170000	C.221	KLIPPN K21 EX	9526870000	C.150
KEBI QL 604022 S2B0	2470770000	C.100	KL SET 14Z2.5 S	8000004133	C.172	KLIPPN CS POK 122209-4	1537180000	C.222	KLIPPN K21 EX RAL7001	1328120000	C.150
KEBI QL 604022 S2B0	2470770000	C.110	KL SET 18A4 S	8000004146	C.206	KLIPPN CS STB 1-1	1537200000	C.136	KLIPPN K21 M16ACSS EX	8000004212	C.172
KEBI QL 604022 S2B1	2470880000	C.100	KL SET 18A4 S	8000004146	C.210	KLIPPN CS STB 1-1	1537210000	C.136	KLIPPN K21 M16ZCSS EX	8000004211	C.172
KEBI QL 604022 S2B1	2470880000	C.110	KL SET 24Z2.5 S	8000004136	C.172	KLIPPN CS STB 1-1	1537220000	C.137	KLIPPN K21 RAL7001	9529150000	C.150
KEBI QL 606022 S2B0	2470780000	C.100	KL SET 32W4 S	8000004142	C.172	KLIPPN CS STB 1-1	1537230000	C.137	KLIPPN K21 RAL7001	9529150000	C.158
KEBI QL 606022 S2B0	2470780000	C.111	KL SET 32W4 S	8000004142	C.206	KLIPPN CS STB 1-2	1537240000	C.137	KLIPPN K21 VMQ	1339690000	C.150
KEBI QL 606022 S2B1	2470890000	C.100	KL SET 32W4 S	8000004142	C.212	KLIPPN CS STB 1-2	1537250000	C.138	KLIPPN K21 VMQ	1339690000	C.158
KEBI QL 606022 S2B1	2470890000	C.111	KL SET 38Z2.5 S	8000004143	C.172	KLIPPN CS STB 1-2	1537280000	C.138	KLIPPN K21 VMQ RAL7001	1937830000	C.150
KEBI QL 606022 S2B1	2470790000	C.100	KL SET 38Z2.5 S	8000004143	C.206	KLIPPN CS STB 1-2	1537290000	C.139	KLIPPN K21 VMQ RAL7001	1937830000	C.158
KEBI QL 606022 S2B1	2470790000	C.112	KL SET 38Z2.5 S	8000004143	C.212	KLIPPN CS STB 2-1-2	1537300000	C.139	KLIPPN K3	0342200000	C.150
KEBI QL 806022 S2B1	2470900000	C.100	KL SET 424 S	8000004139	C.172	KLIPPN CS STB 2-1-2	1537310000	C.139	KLIPPN K3	0342200000	C.159
KEBI QL 806022 S2B1	2470900000	C.112	KL SET 522.5 S	8000004130	C.172	KLIPPN CS STB 2-1-2	1537320000	C.140	KLIPPN K3	0342200000	C.172
KEBK1TBI MF S2 SET	1289180000	C.102	KL SET 644 S	8000004144	C.208	KLIPPN CS STB 2-1-6	1537330000	C.140	KLIPPN K3 4M20AB CSS	8000004153	C.172
KEBK1TBI MF S2 SET	1289180000	C.103	KL SET 644 S	8000004144	C.206	KLIPPN CS STB 2-1-7	1537340000	C.141	KLIPPN K3 EX	9526880000	C.150
KEBK1TBI MF S2 SET	1289180000	C.104	KL SET KLIPPN POK1 BK4	8000004365	C.206	KLIPPN CS STB 2-1-7	1537370000	C.141	KLIPPN K3 EX RAL7001	1329670000	C.150
KEBK1TBI MF S2 SET	1289180000	C.105	KL SET KLIPPN POK1 BK4	8000004365	C.208	KLIPPN K MF KIT 16	9529080000	C.164	KLIPPN K3 RAL7001	9529160000	C.150
KEBK1TBI MF S2 SET	1289180000	C.106	KL SET KLIPPN POK2 BK6	8000004386	C.206	KLIPPN K MF KIT 16	9529080000	C.167	KLIPPN K3 RAL7001	9529160000	C.159
KEBK1TBI MF S2 SET	1289180000	C.107	KL SET KLIPPN POK2 BK6	8000004386	C.209	KLIPPN K MF KIT 16	9529080000	C.169	KLIPPN K3 VMQ	1339690000	C.150
KEBK1TBI MF S2 SET	1289180000	C.108	KL SET KLIPPN POK3BK12	8000004367	C.206	KLIPPN K MF KIT 25	9527590000	C.163	KLIPPN K3 VMQ	1339690000	C.159
KEBK1TBI MF S2 SET	1289180000	C.109	KL SET KLIPPN POK3BK12	8000004367	C.210	KLIPPN K MF KIT 25	9527590000	C.165	KLIPPN K3 VMQ RAL7001	1937900000	C.150
KEBK1TBI MF S2 SET	1289180000	C.110	KLIPPN BDX M20 B	2519520000	C.128	KLIPPN K MF KIT 25	9527590000	C.166	KLIPPN K3 VMQ RAL7001	1937900000	C.159
KEBK1TBI MF S2 SET	1289180000	C.111	KLIPPN BDX M20 B	25195200							

Type	Order No.	Page	Type	Order No.	Page	Type	Order No.	Page	Type	Order No.	Page
KLIPPON K4 2M20AB CSS	8000004155	C.172	KLIPPON K71 VMQ RAL7001	1937720000	C.150	KLIPPON POK3 4M20AB CSS	8000004162	C.206	KLIPPON STB 6 SS	1002760000	C.125
KLIPPON K4 EX	9526910000	C.150	KLIPPON K71 VMQ RAL7001	1937720000	C.170	KLIPPON POK3 4M20AB CSS	8000004162	C.210	KLIPPON STB 6 SS E	1058870000	C.116
KLIPPON K4 EX RAL7001	1329700000	C.150	KLIPPON POK 080806	1305810000	C.186	KLIPPON POK3 M20ACSS EX	8000004228	C.206	KLIPPON STB 6 SS E	1058870000	C.125
KLIPPON K4 RAL7001	9529190000	C.150	KLIPPON POK 080806	1305810000	C.188	KLIPPON POK4 M20WCCS EX	8000004288	C.210	KTB FS 221513 S2B2 TUBEBOX	8000080476	C.54
KLIPPON K4 RAL7001	9529190000	C.162	KLIPPON POK 080806	1305810000	C.206	KLIPPON POK3 M20BCSS EX	8000004226	C.206	KTB FS 221513 S2B2 TUBEBOX	8000080476	C.57
KLIPPON K4 VMQ	1939630000	C.160	KLIPPON POK 080806 EX	1306000000	C.186	KLIPPON POK3 M20BCSS EX	8000004226	C.210	KTB FS 221513 S4E0	1195650000	C.46
KLIPPON K4 VMQ	1939630000	C.162	KLIPPON POK 080806 EX	1306000000	C.188	KLIPPON POK4 3M20AB CSS	8000003448	C.206	KTB FS 221513 S4E1	1195660000	C.46
KLIPPON K4 VMQ RAL7001	1937890000	C.150	KLIPPON POK 081106	1305820000	C.186	KLIPPON POK4 3M20AB CSS	8000003448	C.211	KTB FS 221513 S4E2	1195670000	C.46
KLIPPON K4 VMQ RAL7001	1937890000	C.162	KLIPPON POK 081106	1305820000	C.189	KLIPPON POK4 M20WCCS EX	8000003593	C.206	KTB FS 221513 S4E3	1195680000	C.46
KLIPPON K41	1565270000	C.150	KLIPPON POK 081106	1305820000	C.206	KLIPPON POK4 M20WCCS EX	8000003593	C.211	KTB FS 221513 S4E4	1195690000	C.46
KLIPPON K41	1565270000	C.163	KLIPPON POK 081106 EX	1306010000	C.186	KLIPPON POK4 M20ZCCS EX	8000003594	C.206	KTB FS 262615 S2B1 TRACKBOX SMALL	8000080480	C.54
KLIPPON K41	1565270000	C.172	KLIPPON POK 081106 EX	1306010000	C.189	KLIPPON POK4 M20ZCCS EX	8000003594	C.211	KTB FS 262615 S2B1 TRACKBOX SMALL	8000080480	C.62
KLIPPON K41 2M25AB CSS	8000003446	C.172	KLIPPON POK 081806	1305830000	C.186	KLIPPON POK51 4M20ABCSS	8000004164	C.206	KTB FS 262615 S2B2 TUBEBOX SAKK 10	8000080477	C.54
KLIPPON K41 3M20AB CSS	8000003447	C.172	KLIPPON POK 081806	1305830000	C.190	KLIPPON POK51 4M20ABCSS	8000004164	C.212	KTB FS 262615 S2B2 TUBEBOX SAKK 10	8000080477	C.58
KLIPPON K41 EX	9526920000	C.150	KLIPPON POK 081806	1305830000	C.206	KLIPPON POK51 M20WCCS E	8000004229	C.206	KTB FS 262615 S2N2 TRAINBOX SMALL	8000080478	C.54
KLIPPON K41 EX RAL7001	1329710000	C.150	KLIPPON POK 081806 EX	1306020000	C.186	KLIPPON POK51 M20WCCS E	8000004229	C.212	KTB FS 262615 S2N2 TRAINBOX SMALL	8000080478	C.59
KLIPPON K41 M20WCCS EX	8000003591	C.172	KLIPPON POK 081806 EX	1306020000	C.190	KLIPPON POK51 M20ZCCS E	8000004230	C.206	KTB FS 262615 S4E0	1195700000	C.46
KLIPPON K41 M25WCCS EX	8000003589	C.172	KLIPPON POK 081906	1305840000	C.186	KLIPPON POK51 M20ZCCS E	8000004230	C.212	KTB FS 262615 S4E1	1195710000	C.46
KLIPPON K41 RAL7001	9529200000	C.150	KLIPPON POK 081906	1305840000	C.191	KLIPPON QL KEY	2473930000	C.102	KTB FS 262615 S4E2	1195720000	C.46
KLIPPON K41 RAL7001	9529200000	C.163	KLIPPON POK 081906 EX	1306030000	C.186	KLIPPON QL KEY	2473930000	C.103	KTB FS 262615 S4E3	1195730000	C.46
KLIPPON K41 VMQ	1939640000	C.150	KLIPPON POK 081906 EX	1306030000	C.191	KLIPPON QL KEY	2473930000	C.104	KTB FS 262615 S4E4	1195740000	C.46
KLIPPON K41 VMQ	1939640000	C.163	KLIPPON POK 082306	1305850000	C.186	KLIPPON QL KEY	2473930000	C.105	KTB FS 262620 S4E0	1195750000	C.46
KLIPPON K41 VMQ RAL7001	1937800000	C.150	KLIPPON POK 082306	1305850000	C.192	KLIPPON QL KEY	2473930000	C.106	KTB FS 262620 S4E1	1195760000	C.46
KLIPPON K41 VMQ RAL7001	1937800000	C.163	KLIPPON POK 082306 EX	1306040000	C.186	KLIPPON QL KEY	2473930000	C.107	KTB FS 262620 S4E2	1195770000	C.46
KLIPPON K5	0342400000	C.150	KLIPPON POK 082306 EX	1306040000	C.192	KLIPPON QL KEY	2473930000	C.108	KTB FS 262620 S4E3	1195780000	C.46
KLIPPON K5	0342400000	C.164	KLIPPON POK 121209	1305870000	C.186	KLIPPON QL KEY	2473930000	C.109	KTB FS 262620 S4E4	1195790000	C.46
KLIPPON K5	0342400000	C.172	KLIPPON POK 121209	1305870000	C.193	KLIPPON QL KEY	2473930000	C.110	KTB FS 302915 S2N2 ANGLEBOX EDGE HV	8000092462	C.54
KLIPPON K5 4M20AB CSS	8000004158	C.172	KLIPPON POK 121209	1305870000	C.206	KLIPPON QL KEY	2473930000	C.111	KTB FS 302915 S2N2 ANGLEBOX EDGE HV	8000092462	C.65
KLIPPON K5 M20WCCS EX	8000004218	C.172	KLIPPON POK 121209 EX	1306050000	C.186	KLIPPON QL KEY	2473930000	C.112	KTB FS 303015 S4E0	1195800000	C.46
KLIPPON K5 M20ZCCS EX	8000004219	C.172	KLIPPON POK 121209 EX	1306050000	C.193	KLIPPON QL KEY	2473930000	C.88	KTB FS 303015 S4E1	1195810000	C.46
KLIPPON K5 EX	9526930000	C.150	KLIPPON POK 122209	1305880000	C.186	KLIPPON QL KEY	2473930000	C.89	KTB FS 303015 S4E2	1195820000	C.46
KLIPPON K5 EX RAL7001	1329720000	C.150	KLIPPON POK 122209	1305880000	C.194	KLIPPON QL KEY	2473930000	C.90	KTB FS 303015 S4E3	1195830000	C.46
KLIPPON K5 RAL7001	9529210000	C.150	KLIPPON POK 122209 EX	1306070000	C.186	KLIPPON QL KEY	2473930000	C.91	KTB FS 303015 S4E4	1195840000	C.46
KLIPPON K5 RAL7001	9529210000	C.164	KLIPPON POK 122209 EX	1306070000	C.194	KLIPPON QL KEY	2473930000	C.92	KTB FS 303020 S4E0	1195850000	C.46
KLIPPON K5 VMQ	1939650000	C.150	KLIPPON POK 161609	1305890000	C.186	KLIPPON QL KEY	2473930000	C.93	KTB FS 303020 S4E1	1195860000	C.46
KLIPPON K5 VMQ	1939650000	C.164	KLIPPON POK 161609	1305890000	C.195	KLIPPON QL KEY	2473930000	C.94	KTB FS 303020 S4E2	1195870000	C.46
KLIPPON K5 VMQ RAL7001	1937860000	C.150	KLIPPON POK 161609	1305890000	C.206	KLIPPON QL KEY	2473930000	C.95	KTB FS 303020 S4E3	1195880000	C.46
KLIPPON K5 VMQ RAL7001	1937860000	C.164	KLIPPON POK 161609 EX	1306080000	C.186	KLIPPON QL KEY	2473930000	C.96	KTB FS 303020 S4E4	1195890000	C.46
KLIPPON K51	1565280000	C.150	KLIPPON POK 161609 EX	1306080000	C.195	KLIPPON QL KEY	2473930000	C.97	KTB FS 352615 S2P2 TRAINBOX HV	8000080479	C.54
KLIPPON K51	1565280000	C.165	KLIPPON POK 162609	1305900000	C.186	KLIPPON STB 1 MS HT	1024970000	C.116	KTB FS 352615 S2P2 TRAINBOX HV	8000080479	C.60
KLIPPON K51 EX	9526940000	C.150	KLIPPON POK 162609	1305900000	C.196	KLIPPON STB 1 MS HT	1024970000	C.118	KTB FS 352615 S4E0	1195900000	C.46
KLIPPON K51 EX RAL7001	1328130000	C.150	KLIPPON POK 162609 EX	1306090000	C.186	KLIPPON STB 1 SS	1002690000	C.116	KTB FS 352615 S4E1	1195910000	C.46
KLIPPON K51 RAL7001	9529220000	C.150	KLIPPON POK 162609 EX	1306090000	C.196	KLIPPON STB 1 SS	1002690000	C.118	KTB FS 352615 S4E2	1195920000	C.46
KLIPPON K51 RAL7001	9529220000	C.165	KLIPPON POK 163609	1305910000	C.186	KLIPPON STB 1 SS E	1058810000	C.116	KTB FS 352615 S4E3	1195930000	C.46
KLIPPON K51 VMQ	1939660000	C.150	KLIPPON POK 163609	1305910000	C.197	KLIPPON STB 1 SS E	1058810000	C.118	KTB FS 352615 S4E4	1195940000	C.46
KLIPPON K51 VMQ	1939660000	C.165	KLIPPON POK 163609 EX	1306100000	C.186	KLIPPON STB 1.1 MS HT	1024980000	C.116	KTB FS 352620 S4E0	1195950000	C.46
KLIPPON K51 VMQ RAL7001	1937750000	C.150	KLIPPON POK 163609 EX	1306100000	C.197	KLIPPON STB 1.1 MS HT	1024980000	C.119	KTB FS 352620 S4E1	1195960000	C.46
KLIPPON K51 VMQ RAL7001	1937750000	C.165	KLIPPON POK 165609	1305920000	C.186	KLIPPON STB 1.1 SS	1002750000	C.116	KTB FS 352620 S4E2	1195970000	C.46
KLIPPON K52	1565290000	C.150	KLIPPON POK 165609	1305920000	C.198	KLIPPON STB 1.1 SS	1002750000	C.119	KTB FS 352620 S4E3	1195980000	C.46
KLIPPON K52	1565290000	C.166	KLIPPON POK 165609 EX	1306110000	C.186	KLIPPON STB 1.1 SS E	1058820000	C.116	KTB FS 352620 S4E4	1195990000	C.46
KLIPPON K52 EX	9526950000	C.150	KLIPPON POK 165609 EX	1306110000	C.198	KLIPPON STB 1.1 SS E	1058820000	C.119	KTB FS 403015 S4E0	1196000000	C.46
KLIPPON K52 EX RAL7001	1329730000	C.150	KLIPPON POK 2525 12	1305930000	C.186	KLIPPON STB 2 MS HT	1024990000	C.116	KTB FS 403015 S4E1	1196010000	C.46
KLIPPON K52 M20WCCS EX	8000004220	C.172	KLIPPON POK 2525 12	1305930000	C.199	KLIPPON STB 2 MS HT	1024990000	C.120	KTB FS 403015 S4E2	1196020000	C.46
KLIPPON K52 M20ZCCS EX	8000004221	C.172	KLIPPON POK 2525 12	1305930000	C.226	KLIPPON STB 2 SS	1002740000	C.116	KTB FS 403015 S4E3	1196030000	C.46
KLIPPON K52 RAL7001	9529230000	C.150	KLIPPON POK 2525 12	1305930000	C.227	KLIPPON STB 2 SS	1002740000	C.120	KTB FS 403015 S4E4	1196040000	C.46
KLIPPON K52 RAL7001	9529230000	C.166	KLIPPON POK 2525 12 EX	1305930000	C.228	KLIPPON STB 2 SS	1002740000	C.128	KTB FS 403020 S4E0	1196050000	C.46
KLIPPON K52 VMQ	1939670000	C.150	KLIPPON POK 2525 12 EX	1306120000	C.186	KLIPPON STB 2 SS E	1058830000	C.120	KTB FS 403020 S4E1	1196060000	C.46
KLIPPON K52 VMQ	1939670000	C.166	KLIPPON POK 2525 12 EX	1306120000	C.199	KLIPPON STB 2 SS E	1058830000	C.120	KTB FS 403020 S4E2	1196070000	C.46
KLIPPON K52 VMQ RAL7001	1937740000	C.150	KLIPPON POK 2525 12 FH M25 E60	8000052636	C.225	KLIPPON STB 2.1 MS HT	1025010000	C.116	KTB FS 403020 S4E3	1196080000	C.46
KLIPPON K52 VMQ RAL7001	1937740000	C.166	KLIPPON POK 2525 12 FH M25 E60	8000052636	C.226	KLIPPON STB 2.1 SS	1002730000	C.121	KTB FS 403020 S4E4	1196090000	C.46
KLIPPON K6	0342500000	C.150	KLIPPON POK 2525 12 FH M32 E60	8000054731	C.225	KLIPPON STB 2.1 SS	1002730000	C.121	KTB FS 453815 S2N2 TRAINBOX BIG	8000080863	C.54
KLIPPON K6	0342500000	C.167	KLIPPON POK 2525 12 FH M32 E60	8000054731	C.227	KLIPPON STB 2.1 SS E	1058840000	C.116	KTB FS 453815 S4E0	1196100000	C.46
KLIPPON K6 EX	9526960000	C.150	KLIPPON POK 2525 12 M25 E60	8000052518	C.225	KLIPPON STB 2.1 SS E	1058840000	C.121	KTB FS 453815 S4E1	1196110000	C.46
KLIPPON K6 EX RAL7001	1329740000	C.150	KLIPPON POK 2525 12 M25 E60	8000052518	C.226	KLIPPON STB 3 MS HT	1025020000	C.116	KTB FS 453815 S4E2	1196120000	C.46
KLIPPON K6 RAL7001	9529240000	C.150	KLIPPON POK 2525 12 M32 E60	8000054730	C.225	KLIPPON STB 3 MS HT	1025020000	C.122	KTB FS 453815 S4E3	1196130000	C.46
KLIPPON K6 RAL7001	9529240000	C.167	KLIPPON POK 2525 12 M32 E60	8000054730	C.229	KLIPPON STB 3 SS	1002720000	C.116	KTB FS 453815 S4E4	1196140000	C.46
KLIPPON K6 VMQ	1939690000	C.150	KLIPPON POK 2525 16	1305980000	C.186	KLIPPON STB 3 SS	1002720000	C.122	KTB FS 453820 S4E0	1196150000	C.46
KLIPPON K6 VMQ	1939690000	C.167	KLIPPON POK 2525 16	1305980000	C.200	KLIPPON STB 3 SS	1002720000	C.129	KTB FS 453820 S4E1	1196160000	C.46
KLIPPON K6 VMQ RAL7001	1937870000	C.150	KLIPPON POK 2525 16 EX	1306170000	C.186	KLIPPON STB 3 SS E	1058850000	C.116	KTB FS 453820 S4E2	1196170000	C.46
KLIPPON K6 VMQ RAL7001	1937870000	C.167	KLIPPON POK 2525 16 EX	1306170000	C.200	KLIPPON STB 3 SS E	1058850000	C.122	KTB FS 453820 S4E3	1196180000	C.46
KLIPPON K61	0573600000	C.150	KLIPPON POK 2540 12	1305940000	C.186	KLIPPON STB 4 MS FH M25 E90	8000052592	C.143	KTB FS 453820 S4E4	1196190000	C.46
KLIPPON K61	0573600000	C.168	KLIPPON POK 2540 12	1305940000	C.201	KLIPPON STB 4 MS FH M25 E90	8000052592	C.144	KTB FS 453820 S4E0	1196200000	C.46
KLIPPON K61 EX	9526970000	C.150	KLIPPON POK 2540 12 EX	1306130000	C.186	KLIPPON STB 4 MS FH M32 E90	8000054773	C.143	KTB FS 484815 S4E1	1196210000	C.46
KLIPPON K61 EX RAL7001	1328140000	C.150	KLIPPON POK 2540 12 EX	1306130000	C.201	KLIPPON STB 4 MS					

Table with 4 main sections. Each section contains a table with columns: Type, Order No., Page, and a list of product entries (e.g., KTB FS 624515 S4E3, KTB GP 624515 AB S4 PE, etc.). The tables are organized into four columns, each starting with a 'Type' header. The right edge of the page features a vertical 'Index / Type' label and a large 'X' watermark.

Type	Order No.	Page
KTb MOPL 6245 S2N H	1257740000	C.35
KTb MOPL 7650 MSZn	1194030000	C.37
KTb MOPL 7650 MSZn	1194030000	C.38
KTb MOPL 7650 MSZn H	2022680000	C.37
KTb MOPL 7650 MSZn H	2022680000	C.38
KTb MOPL 7650 S2N	1193900000	C.37
KTb MOPL 7650 S2N	1193900000	C.38
KTb MOPL 7650 S2N H	1257750000	C.37
KTb MOPL 7650 S2N H	1257750000	C.38
KTb MOPL 9161 MSZn	1194040000	C.40
KTb MOPL 9161 MSZn	1194040000	C.41
KTb MOPL 9161 MSZn H	2022740000	C.40
KTb MOPL 9161 MSZn H	2022740000	C.41
KTb MOPL 9161 S2N	1193910000	C.40
KTb MOPL 9161 S2N	1193910000	C.41
KTb MOPL 9161 S2N H	1257760000	C.40
KTb MOPL 9161 S2N H	1257760000	C.41
KTb MOPL 9874 MSZn	1194050000	C.42
KTb MOPL 9874 MSZn H	2022760000	C.42
KTb MOPL 9874 S2N	1193920000	C.42
KTb MOPL 9874 S2N H	1257770000	C.42
KTb QL 221513 S4E0	1199850000	C.44
KTb QL 221513 S4E1	1199860000	C.44
KTb QL 221513 S4E2	1199870000	C.44
KTb QL 221513 S4E3	1199880000	C.44
KTb QL 221513 S4E4	1199890000	C.44
KTb QL 262615 S4E0	1199900000	C.44
KTb QL 262615 S4E1	1199910000	C.44
KTb QL 262615 S4E2	1199920000	C.44
KTb QL 262615 S4E3	1199930000	C.44
KTb QL 262615 S4E4	1199940000	C.44
KTb QL 262620 S4E0	1199950000	C.44
KTb QL 262620 S4E1	1199960000	C.44
KTb QL 262620 S4E2	1199970000	C.44
KTb QL 262620 S4E3	1199980000	C.44
KTb QL 262620 S4E4	1199990000	C.44
KTb QL 303015 S4E0	1200010000	C.44
KTb QL 303015 S4E1	1200020000	C.44
KTb QL 303015 S4E2	1200030000	C.44
KTb QL 303015 S4E3	1200040000	C.44
KTb QL 303015 S4E4	1200050000	C.44
KTb QL 303020 S4E0	1200060000	C.44
KTb QL 303020 S4E1	1200070000	C.44
KTb QL 303020 S4E2	1200080000	C.44
KTb QL 303020 S4E3	1200090000	C.44
KTb QL 303020 S4E4	1200100000	C.44
KTb QL 352615 S4E0	1200110000	C.44
KTb QL 352615 S4E1	1200120000	C.44
KTb QL 352615 S4E2	1200130000	C.44
KTb QL 352615 S4E3	1200140000	C.44
KTb QL 352615 S4E4	1200150000	C.44
KTb QL 352620 S4E0	1200160000	C.44
KTb QL 352620 S4E1	1200170000	C.44
KTb QL 352620 S4E2	1200180000	C.44
KTb QL 352620 S4E3	1200190000	C.44
KTb QL 352620 S4E4	1200200000	C.44
KTb QL 403015 S4E0	1200210000	C.44
KTb QL 403015 S4E1	1200220000	C.44
KTb QL 403015 S4E2	1200230000	C.44
KTb QL 403015 S4E3	1200240000	C.44
KTb QL 403015 S4E4	1200250000	C.44
KTb QL 403015 S4E5	1200260000	C.44
KTb QL 403020 S4E0	1200270000	C.44
KTb QL 403020 S4E1	1200280000	C.44
KTb QL 403020 S4E2	1200290000	C.44
KTb QL 403020 S4E3	1200300000	C.44
KTb QL 403020 S4E4	1200310000	C.44
KTb QL 403020 S4E5	1200320000	C.44
KTb QL 453815 S4E0	1200330000	C.44
KTb QL 453815 S4E1	1200340000	C.44
KTb QL 453815 S4E2	1200350000	C.44
KTb QL 453815 S4E3	1200360000	C.44
KTb QL 453815 S4E4	1200370000	C.44
KTb QL 453820 S4E0	1200380000	C.44
KTb QL 453820 S4E1	1200390000	C.44
KTb QL 453820 S4E2	1200400000	C.44
KTb QL 453820 S4E3	1200410000	C.44
KTb QL 453820 S4E4	1200420000	C.44
KTb QL 453820 S4E5	1200430000	C.44
KTb QL 484815 S4E0	1200440000	C.44
KTb QL 484815 S4E1	1200450000	C.44
KTb QL 484815 S4E2	1200460000	C.44
KTb QL 484815 S4E3	1200470000	C.44
KTb QL 484815 S4E4	1200480000	C.44
KTb QL 484820 EXE	8000028401	C.48
KTb QL 484820 EXE	8000028401	C.52
KTb QL 484820 S4E0	1200490000	C.44
KTb QL 484820 S4E1	1200500000	C.44
KTb QL 484820 S4E2	1200510000	C.44
KTb QL 484820 S4E3	1200520000	C.44
KTb QL 484820 S4E4	1200530000	C.44
KTb QL 553515 S4E0	1200540000	C.44
KTb QL 553515 S4E1	1200550000	C.44
KTb QL 553515 S4E2	1200560000	C.44
KTb QL 553515 S4E3	1200570000	C.44
KTb QL 553515 S4E4	1200580000	C.44
KTb QL 553520 S4E0	1200590000	C.44
KTb QL 553520 S4E1	1200600000	C.44
KTb QL 553520 S4E2	1200610000	C.44
KTb QL 553520 S4E3	1200620000	C.44
KTb QL 553520 S4E4	1200630000	C.44

Type	Order No.	Page
KTb QL 624515 S4E0	1200660000	C.44
KTb QL 624515 S4E1	1200670000	C.44
KTb QL 624515 S4E2	1200680000	C.44
KTb QL 624515 S4E3	1200690000	C.44
KTb QL 624515 S4E4	1200710000	C.44
KTb QL 624520 S4E0	1200720000	C.44
KTb QL 624520 S4E1	1200730000	C.44
KTb QL 624520 S4E2	1200740000	C.44
KTb QL 624520 S4E3	1200750000	C.44
KTb QL 624520 S4E4	1200760000	C.44
KTb QL 765015 S4E0	1200770000	C.44
KTb QL 765015 S4E1	1200780000	C.44
KTb QL 765015 S4E2	1200790000	C.44
KTb QL 765015 S4E3	1200810000	C.44
KTb QL 765015 S4E4	1200820000	C.44
KTb QL 765020 S4E0	1200830000	C.44
KTb QL 765020 S4E1	1200840000	C.44
KTb QL 765020 S4E2	1200850000	C.44
KTb QL 765020 S4E3	1200860000	C.44
KTb QL 765020 S4E4	1200870000	C.44
KTb QL 916115 S4E0	1200880000	C.44
KTb QL 916115 S4E1	1200890000	C.44
KTb QL 916115 S4E2	1200910000	C.44
KTb QL 916115 S4E3	1200920000	C.44
KTb QL 916115 S4E4	1200930000	C.44
KTb QL 916120 S4E0	1200940000	C.44
KTb QL 916120 S4E1	1200950000	C.44
KTb QL 916120 S4E2	1200960000	C.44
KTb QL 916120 S4E3	1200970000	C.44
KTb QL 916120 S4E4	1200980000	C.44
KTb QL 987420 S4E0	1200990000	C.44
KTb QL 987420 S4E1	1201010000	C.44
KTb QL 987420 S4E2	1201020000	C.44
KTb QL 987420 S4E3	1201030000	C.44
KTb QL 987420 S4E4	1201040000	C.44
KTb RNHD 221513 R	1281360000	C.18
KTb RNHD 221513 R	1281360000	C.50
KTb RNHD 221513 S4E R	1281409000	C.18
KTb RNHD 262615 R	1281370000	C.19
KTb RNHD 262615 R	1281370000	C.51
KTb RNHD 262615 S4E R	1314100000	C.19
KTb RNHD 262620 R	1281380000	C.20
KTb RNHD 262620 S4E R	1314110000	C.20
KTb RNHD 303015 R	1281390000	C.21
KTb RNHD 303015 S4E R	1314120000	C.21
KTb RNHD 303020 R	1281400000	C.22
KTb RNHD 303020 S4E R	1314130000	C.22
KTb RNHD 352615 R	1281410000	C.23
KTb RNHD 352615 S4E R	1314140000	C.23
KTb RNHD 352620 R	1281420000	C.24
KTb RNHD 352620 S4E R	1314150000	C.24
KTb RNHD 403015 R	1281430000	C.25
KTb RNHD 403015 S4E R	1314170000	C.25
KTb RNHD 403020 R	1281440000	C.26
KTb RNHD 403020 S4E R	1314180000	C.26
KTb RNHD 453815 R	1281450000	C.27
KTb RNHD 453815 S4E R	1314190000	C.27
KTb RNHD 453820 R	1281460000	C.28
KTb RNHD 453820 S4E R	1314200000	C.28
KTb RNHD 484815 R	1281470000	C.29
KTb RNHD 484815 S4E R	1314220000	C.29
KTb RNHD 484820 R	1281480000	C.30
KTb RNHD 484820 S4E R	1314230000	C.30
KTb RNHD 553515 R	1281490000	C.31
KTb RNHD 553515 S4E R	1314240000	C.31
KTb RNHD 553520 R	1281500000	C.32
KTb RNHD 553520 S4E R	1314250000	C.32
KTb RNHD 624515 R	1281510000	C.34
KTb RNHD 624515 S4E R	1314270000	C.34
KTb RNHD 624520 R	1281520000	C.35
KTb RNHD 624520 S4E R	1314280000	C.35
KTb RNHD 765015 R	1281530000	C.37
KTb RNHD 765015 S4E R	1314290000	C.37
KTb RNHD 765020 R	1281540000	C.38
KTb RNHD 765020 S4E R	1314300000	C.38
KTb RNHD 916115 R	1281550000	C.40
KTb RNHD 916115 S4E R	1314320000	C.40
KTb RNHD 916120 R	1281570000	C.41
KTb RNHD 916120 S4E R	1314330000	C.41
KTb RNHD 987420 R	1281580000	C.42
KTb RNHD 987420 S4E R	1314340000	C.42
KTBLDL1005030S4B1 LL1	2698400000	C.66
KTBLDL1005030S4B1 LL1	2698400000	C.68
KTBLDL1258040S4B1 LL1	2698420000	C.66
KTBLDL1258040S4B1 LL1	2698420000	C.68
KTBLDL15010050S4B1 LL1	2698430000	C.66
KTBLDL15010050S4B1 LL1	2698430000	C.68
KTBLRNHD10050S4B LL1	2698540000	C.69
KTBLRNHD05030S4B LL1	2698520000	C.68
KTBLRNHD08040S4B LL1	2698530000	C.68
KV 11-M	1656390000	D.10
KV 13-M	1656400000	D.10
KV 16-M	1656410000	D.10
KV 21-M	1656420000	D.10
KV 29-M	1656430000	D.10

Type	Order No.	Page
LKSC M6X8 A2 TX30	2704960000	C.74
LKSC M6X8 A2 TX30	2704960000	C.75
LKSC M6X8 A2 TX30	2704960000	C.76
LKSC M6X8 A2 TX30	2704960000	C.77
LKSC M6X8 A2 TX30	2704960000	C.78
LKSC M6X8 A2 TX30	2704960000	C.79
LKSC M6X8 A2 TX30	2704960000	C.80
LKSC M6X8 A2 TX30	2704960000	C.81
LKSC M6X8 A2 TX30	2704960000	C.82
LKSC M6X8 A2 TX30	2704960000	C.83
LKSC M6X8 A2 TX30	2704960000	C.84
LKSC M6X8 A2 TX30	2704960000	C.88
LKSC M6X8 A2 TX30	2704960000	C.89
LKSC M6X8 A2 TX30	2704960000	C.90
LKSC M6X8 A2 TX30	2704960000	C.91
LKSC M6X8 A2 TX30	2704960000	C.92
LKSC M6X8 A2 TX30	2704960000	C.93
LKSC M6X8 A2 TX30	2704960000	C.94
LKSC M6X8 A2 TX30	2704960000	C.95
LKSC M6X8 A2 TX30	2704960000	C.96
LKSC M6X8 A2 TX30	2704960000	C.97
<b>M</b>		
MCZ OVP CL 24VDC 0,5A	8448920000	C.63
MEW 1/32	0445600000	C.144
MEW 1/32	0445600000	C.145
MEW 1/32	0445600000	C.146
MEW 1/32	0445600000	C.147
MEW 1/32	0445600000	C.226
MEW 1/32	0445600000	C.227
MEW 1/32	0445600000	C.228
MEW 1/32	0445600000	C.229
MF FPC	9536040000	C.251
MF FPC	9536040000	C.251
MF FPC	9536040000	C.252
MF FPC	9536040000	C.253
MF MPC	9536000000	C.240
MF MPC	9536000000	C.240
MF MPC	9536000000	C.241
MF MPC	9536000000	C.242
MF MPC	9536000000	C.243
MF MPC	9536000000	C.243
MF MPC	9536000000	C.245
MF MPC	9536000000	C.246
MF MPC	9536000000	C.247
MF MPC	9536000000	C.247
MF MPC	9536000000	C.248
MF POK BIG	9510910000	C.193
MF POK BIG	9510910000	C.194
MF POK BIG	9510910000	C.195
MF POK BIG	9510910000	C.196
MF POK BIG	9510910000	C.197
MF POK BIG	9510910000	C.198
MF POK BIG	9510910000	C.199
MF POK BIG	9510910000	C.200
MF POK BIG	9510910000	C.201
MF POK BIG	9510910000	C.202
MF POK BIG	9510910000	C.203
MF POK BIG	9510910000	C.204
MF POK SMALL	9510900000	C.188
MF POK SMALL	9510900000	C.189
MF POK SMALL	9510900000	C.190
MF POK SMALL	9510900000	C.191
MF POK SMALL	9510900000	C.192
MF TBF	0360800000	C.232
MF TBF	0360800000	C.232
MF TBF	0360800000	C.233
MF TBF	0360800000	C.233
MF TBF	0360800000	C.234
MF TBF	0360800000	C.234
MF TBF	0360800000	C.235
MF TBF	0360800000	C.236
MF TBF	0360800000	C.236
MOPL K1 N FE	1952800000	C.155
MOPL K11 STAHL	3073000000	C.156
MOPL K2 N FE	1905270000	C.157
MOPL K21 STAHL	3073020000	C.1







Type	Order No.	Page	Type	Order No.	Page	Type	Order No.	Page	Type	Order No.	Page
TPSDHA KTB 130X50 S2 R	1283450000	C.51	TS35/148 KLIPPON K5 CSS	1910080000	C.164	TS35X7.5 ST STB 2.1 STB 3	1567660000	C.121	VG M20 EXE MS	1460050000	C.128
TPSDHA KTB 130X50 S2 R	1283450000	C.52	TS35/148 KLIPPON K5 CSS	1910080000	C.172	TS35X7.5 ST STB 2.1 STB 3	1567660000	C.122	VG M20 EXE MS	1460050000	C.129
TPSDHA KTB 70X70M3 S2 R	1279320000	C.18	TS35/172 KLIPPON K6 CSS	1910110000	C.167	TS35X7.5 ST STB 4 STB 6	8563410000	C.123	VG M20 EXE MS	1460050000	C.50
TPSDHA KTB 70X70M3 S2 R	1279320000	C.19	TS35/203 KLIPPON K51POK5	1910090000	C.165	TS35X7.5 ST STB 4 STB 6	8563410000	C.124	VG M20 EXE MS	1460050000	C.51
TPSDHA KTB 70X70M3 S2 R	1279320000	C.20	TS35/243 KLIPPON K61POK6	1910120000	C.168	TS35X7.5 ST STB 4 STB 6	8563410000	C.125	VG M20 EXE MS	1460050000	C.52
TPSDHA KTB 70X70M3 S2 R	1279320000	C.21	TS35/260 KLIPPON K71 CSS	1910140000	C.170	TS35X7.5 ST STB 5	8803610000	C.123	VG M20 EXI 11-14 CR7J G4	2722280000	D.32
TPSDHA KTB 70X70M3 S2 R	1279320000	C.22	TS35/324 KLIPPON K7 CSS	1910130000	C.169	TS35X7.5 ST STB 5	8803610000	C.124	VG M20 EXI 11-14 SI7J G4	2722400000	D.33
TPSDHA KTB 70X70M3 S2 R	1279320000	C.23	TS35X7.5 ST FPC 20 HOR	8000037557	C.251	TS35X7.5 ST STB 5	8803610000	C.125	VG M20 EXI 7-12 CR7J G4	2722240000	D.32
TPSDHA KTB 70X70M3 S2 R	1279320000	C.24	TS35X7.5 ST FPC 20 VER	8000037558	C.251	VG M20 EXI 7-12 SI7J G4	2722380000	D.33	VG M20 EXI 7-13 CR7J G4	2722500000	D.32
TPSDHA KTB 70X70M3 S2 R	1279320000	C.25	TS35X7.5 ST FPC 20 VER	8000037558	C.252	VG M20 EXI 7-13 SI7J G4	2722390000	D.33	VG M20-1/K68	1772300000	D.6
TPSDHA KTB 70X70M3 S2 R	1279320000	C.26	TS35X7.5 ST FPC 40 HOR	8000037560	C.252	VG M20-K68 SKS 10-14	1776720000	D.7	VG M20-K68 SKS 6-12	1778860000	D.7
TPSDHA KTB 70X70M3 S2 R	1279320000	C.25	TS35X7.5 ST FPC 40 HOR	8000037560	C.252	VG M25 -K 68	1772310000	D.6	VG M25 -K 68	1772310000	D.6
TPSDHA KTB 70X70M3 S2 R	1279320000	C.26	TS35X7.5 ST FPC 40 HOR	8000037560	C.253	VG M25 EMS 68	1772300000	D.8	VG M25 EMV-4 MS 10-18	2435170000	D.11
TPSDHA KTB 70X70M3 S2 R	1279320000	C.32	TS35X7.5 ST FPC 60 HOR	8000037563	C.253	VG M25 EXE 12-17 CR7J G4	2721990000	D.32	VG M25 EXE 12-17 SI7J G4	2722130000	D.33
TPSDHA KTB 70X70M3 S2 R	1279320000	C.33	TS35X7.5 ST K52	8000003908	C.195	VG M25 EXE 14-18 CR7J G4	2722000000	D.32	VG M25 EXE 14-18 SI7J G4	2722140000	D.33
TPSDHA KTB 70X70M3 S2 R	1279320000	C.35	TS35X7.5 ST KEBI 30 VER	8000037556	C.102	VG M25 EXE MS	1460070000	C.130	VG M25 EXE MS	1460070000	C.52
TPSDHA KTB 70X70M3 S2 R	1279320000	C.36	TS35X7.5 ST KEBI 30 VER	8000037556	C.103	VG M25 EXI 12-17 CR7J G4	2722270000	D.32	VG M25 EXI 12-17 SI7J G4	2722410000	D.33
TPSDHA KTB 70X70M3 S2 R	1279320000	C.37	TS35X7.5 ST KEBI 30 VER	8000037556	C.104	VG M25 EXI 14-18 CR7J G4	2722280000	D.32	VG M25 EXI 14-18 SI7J G4	2722290000	D.33
TPSDHA KTB 70X70M3 S2 R	1279320000	C.38	TS35X7.5 ST KEBI 40 VER	8000037555	C.105	VG M25 EXI 16-21 CR7J G4	2722300000	D.33	VG M25 EXI 16-21 SI7J G4	2722310000	D.33
TPSDHA KTB 70X70M3 S2 R	1279320000	C.39	TS35X7.5 ST KEBI 40 VER	8000037555	C.106	VG M25 EXI 18-21 CR7J G4	2722320000	D.33	VG M25 EXI 18-21 SI7J G4	2722330000	D.33
TPSDHA KTB 70X70M3 S2 R	1279320000	C.40	TS35X7.5 ST KEBI 40 VER	8000037555	C.107	VG M25 EXI 20-28 CR7J G4	2722340000	D.33	VG M25 EXI 20-28 SI7J G4	2722350000	D.33
TPSDHA KTB 70X70M3 S2 R	1279320000	C.41	TS35X7.5 ST KEBI 50 VER	8000037554	C.108	VG M25 EXI 22-28 CR7J G4	2722360000	D.33	VG M25 EXI 22-28 SI7J G4	2722370000	D.33
TPSDHA KTB 70X70M3 S2 R	1279320000	C.42	TS35X7.5 ST KEBI 50 VER	8000037554	C.109	VG M25 EXI 24-28 CR7J G4	2722380000	D.33	VG M25 EXI 24-28 SI7J G4	2722390000	D.33
TPSDHA KTB 70X70M3 S2 R	1279320000	C.50	TS35X7.5 ST KEBI 60 VER	8000037553	C.110	VG M25 EXI 26-28 CR7J G4	2722400000	D.33	VG M25 EXI 26-28 SI7J G4	2722410000	D.33
TPSDHA KTB 70X70M3 S2 R	1279320000	C.52	TS35X7.5 ST KEBI 60 VER	8000037553	C.111	VG M25 EXI 28-32 CR7J G4	2722420000	D.33	VG M25 EXI 28-32 SI7J G4	2722430000	D.33
TPSDHA KTB 70X70M3 S2 R	1279320000	C.51	TS35X7.5 ST KEBI 80 VER	8000037552	C.112	VG M25 EXI 30-32 CR7J G4	2722440000	D.33	VG M25 EXI 30-32 SI7J G4	2722450000	D.33
TS 32X15 2M/ST/ZN	0122800000	C.144	TS35X7.5 ST KTB2215 HOR	8000006720	C.18	VG M25 EXI 32-36 CR7J G4	2722460000	D.33	VG M25 EXI 32-36 SI7J G4	2722470000	D.33
TS 32X15 2M/ST/ZN	0122800000	C.145	TS35X7.5 ST KTB2215 VER	8000006708	C.18	VG M25 EXI 38-48 CR7J G4	2722480000	D.33	VG M25 EXI 38-48 SI7J G4	2722490000	D.33
TS 32X15 2M/ST/ZN	0122800000	C.146	TS35X7.5 ST KTB2626 VER	8000006709	C.19	VG M25 EXI 40-48 CR7J G4	2722500000	D.33	VG M25 EXI 40-48 SI7J G4	2722510000	D.33
TS 32X15 2M/ST/ZN	0122800000	C.147	TS35X7.5 ST KTB2626 VER	8000006709	C.20	VG M25 EXI 50-68 CR7J G4	2722520000	D.33	VG M25 EXI 50-68 SI7J G4	2722530000	D.33
TS 32X15 2M/ST/ZN	0122800000	C.226	TS35X7.5 ST KTB3030 HOR	8000006722	C.21	VG M25 EXI 60-68 CR7J G4	2722540000	D.33	VG M25 EXI 60-68 SI7J G4	2722550000	D.33
TS 32X15 2M/ST/ZN	0122800000	C.227	TS35X7.5 ST KTB3030 HOR	8000006722	C.22	VG M25 EXI 72-96 CR7J G4	2722560000	D.33	VG M25 EXI 72-96 SI7J G4	2722570000	D.33
TS 32X15 2M/ST/ZN	0122800000	C.228	TS35X7.5 ST KTB3030 VER	8000006710	C.21	VG M25 EXI 100-120 CR7J G4	2722580000	D.33	VG M25 EXI 100-120 SI7J G4	2722590000	D.33
TS 32X15 2M/ST/ZN	0122800000	C.229	TS35X7.5 ST KTB3030 VER	8000006710	C.22	VG M25 EXI 144-168 CR7J G4	2722600000	D.33	VG M25 EXI 144-168 SI7J G4	2722610000	D.33
TS 35X105_MPC_12	8000037603	C.240	TS35X7.5 ST KTB3526 HOR	8000006721	C.19	VG M25 EXI 180-240 CR7J G4	2722620000	D.33	VG M25 EXI 180-240 SI7J G4	2722630000	D.33
TS 35X105_MPC_12	8000037603	C.241	TS35X7.5 ST KTB3526 HOR	8000006721	C.20	VG M25 EXI 240-360 CR7J G4	2722640000	D.33	VG M25 EXI 240-360 SI7J G4	2722650000	D.33
TS 35X105_MPC_12	8000037603	C.242	TS35X7.5 ST KTB3526 HOR	8000006721	C.23	VG M25 EXI 480-720 CR7J G4	2722660000	D.33	VG M25 EXI 480-720 SI7J G4	2722670000	D.33
TS 35X105_MPC_12	8000037603	C.243	TS35X7.5 ST KTB3526 HOR	8000006721	C.24	VG M25 EXI 960-1440 CR7J G4	2722680000	D.33	VG M25 EXI 960-1440 SI7J G4	2722690000	D.33
TS 35X105_MPC_12	8000037603	C.245	TS35X7.5 ST KTB3526 VER	8000006711	C.24	VG M25 EXI 1920-2880 CR7J G4	2722700000	D.33	VG M25 EXI 1920-2880 SI7J G4	2722710000	D.33
TS 35X15 2M/ST/ZN	0236400000	C.144	TS35X7.5 ST KTB3555 HOR	8000007347	C.33	VG M25 EXI 3840-5760 CR7J G4	2722720000	D.33	VG M25 EXI 3840-5760 SI7J G4	2722730000	D.33
TS 35X15 2M/ST/ZN	0236400000	C.145	TS35X7.5 ST KTB4030 HOR	8000006723	C.25	VG M25 EXI 7680-11520 CR7J G4	2722740000	D.33	VG M25 EXI 7680-11520 SI7J G4	2722750000	D.33
TS 35X15 2M/ST/ZN	0236400000	C.226	TS35X7.5 ST KTB4030 HOR	8000006723	C.26	VG M25 EXI 15360-23040 CR7J G4	2722760000	D.33	VG M25 EXI 15360-23040 SI7J G4	2722770000	D.33
TS 35X15 2M/ST/ZN	0236400000	C.227	TS35X7.5 ST KTB4030 VER	8000006712	C.25	VG M25 EXI 30720-46080 CR7J G4	2722780000	D.33	VG M25 EXI 30720-46080 SI7J G4	2722790000	D.33
TS 35X15 2M/ST/ZN	0236400000	C.227	TS35X7.5 ST KTB4030 VER	8000006712	C.25	VG M25 EXI 61440-92160 CR7J G4	2722800000	D.33	VG M25 EXI 61440-92160 SI7J G4	2722810000	D.33
TS15 114 KLIPPON K21 CSS	1910022000	C.158	TS35X7.5 ST KTB4538 HOR	8000006724	C.27	VG M25 EXI 122880-184320 CR7J G4	2722820000	D.33	VG M25 EXI 122880-184320 SI7J G4	2722830000	D.33
TS15 114 KLIPPON K21 CSS	1910022000	C.172	TS35X7.5 ST KTB4538 HOR	8000006724	C.28	VG M25 EXI 245760-370560 CR7J G4	2722840000	D.33	VG M25 EXI 245760-370560 SI7J G4	2722850000	D.33
TS15 147 KLIPPON POK3 CSS	1928080000	C.206	TS35X7.5 ST KTB4538 HOR	8000006724	C.27	VG M25 EXI 491520-741120 CR7J G4	2722860000	D.33	VG M25 EXI 491520-741120 SI7J G4	2722870000	D.33
TS15 147 KLIPPON POK3 CSS	1928080000	C.210	TS35X7.5 ST KTB4538 HOR	8000006724	C.28	VG M25 EXI 983040-1482240 CR7J G4	2722880000	D.33	VG M25 EXI 983040-1482240 SI7J G4	2722890000	D.33
TS15 155 KLIPPON K3 CSS	1910033000	C.159	TS35X7.5 ST KTB4538 VER	8000006721	C.20	VG M25 EXI 1966080-2964480 CR7J G4	2722900000	D.33	VG M25 EXI 1966080-2964480 SI7J G4	2722910000	D.33
TS15 155 KLIPPON K3 CSS	1910033000	C.160	TS35X7.5 ST KTB4538 HOR	8000006713	C.28	VG M25 EXI 3932160-5928960 CR7J G4	2722920000	D.33	VG M25 EXI 3932160-5928960 SI7J G4	2722930000	D.33
TS15 164 KLIPPON K31 CSS	1910040000	C.172	TS35X7.5 ST KTB4848 HOR	8000006725	C.29	VG M25 EXI 7864320-11857920 CR7J G4	2722940000	D.33	VG M25 EXI 7864320-11857920 SI7J G4	2722950000	D.33
TS15 164 KLIPPON K31 CSS	1910040000	C.172	TS35X7.5 ST KTB4848 HOR	8000006725	C.30	VG M25 EXI 15728640-23715840 CR7J G4	2722960000	D.33	VG M25 EXI 15728640-23715840 SI7J G4	2722970000	D.33
TS15 60 KlippOn K1 CSS	1909980000	C.155	TS35X7.5 ST KTB4848 VER	8000006714	C.29	VG M25 EXI 31457280-47431680 CR7J G4	2722980000	D.33	VG M25 EXI 31457280-47431680 SI7J G4	2722990000	D.33
TS15 60 KlippOn K1 CSS	1909980000	C.172	TS35X7.5 ST KTB4848 HOR	8000006714	C.30	VG M25 EXI 62914560-94863360 CR7J G4	2723000000	D.33	VG M25 EXI 62914560-94863360 SI7J G4	2723010000	D.33
TS15 64 KLIPPON K11	1909990000	C.156	TS35X7.5 ST KTB5076 VER-C	8000007349	C.39	VG M25 EXI 125829120-188738560 CR7J G4	2723020000	D.33	VG M25 EXI 125829120-188738560 SI7J G4	2723030000	D.33
TS15 64 KLIPPON K11	1909990000	C.172	TS35X7.5 ST KTB5535 HOR	8000006726	C.31	VG M25 EXI 251658240-377477120 CR7J G4	2723040000	D.33	VG M25 EXI 251658240-377477120 SI7J G4	2723050000	D.33
TS15 68 KLIPPON POK1 CSS	1928060000	C.206	TS35X7.5 ST KTB5535 HOR	8000006726	C.32	VG M25 EXI 503316480-754954240 CR7J G4	2723060000	D.33	VG M25 EXI 503316480-754954240 SI7J G4	2723070000	D.33
TS15 68 KLIPPON POK1 CSS	1928060000	C.208	TS35X7.5 ST KTB5535 VER	8000006715	C.32	VG M25 EXI 1006632960-1509908480 CR7J G4	2723080000	D.33	VG M25 EXI 1006632960-1509908480 SI7J G4	2723090000	D.33
TS15 90 KLIPPON K2 CSS	1910010000	C.172	TS35X7.5 ST KTB6245 HOR	8000006727	C.34	VG M25 EXI 2013265920-3019816960 CR7J G4	2723100000	D.33	VG M25 EXI 2013265920-3019816960 SI7J G4	2723110000	D.33
TS15 90 KLIPPON K2 CSS	1910010000	C.176	TS35X7.5 ST KTB6245 HOR	8000006727	C.35	VG M25 EXI 4026531840-6039633920 CR7J G4	2723120000	D.33	VG M25 EXI 4026531840-6039633920 SI7J G4	2723130000	D.33
TS15 98 KLIPPON POK2 CSS	1928070000	C.202	TS35X7.5 ST KTB6245 VER	8000006716	C.34	VG M25 EXI 8053063680-12079267840 CR7J G4	2723140000	D.33	VG M25 EXI 8053063680-12079267840 SI7J G4	2723150000	D.33
TS15X5 ST FPC 20 VER	8000037604	C.259	TS35X7.5 ST KTB6245 VER	8000006716	C.35	VG M25 EXI 16106127360-24158535680 CR7J G4	2723160000	D.33	VG M25 EXI 16106127360-24158535680 SI7J G4	2723170000	D.33
TS15X5 ST FPC 20 VER	8000037604	C.251	TS35X7.5 ST KTB7650 HOR	8000006728	C.37	VG M25 EXI 32212254720-48317071360 CR7J G4	2723180000	D.33	VG M25 EXI 32212254720-48317071360 SI7J G4	2723190000	D.33
TS15X5 ST FPC 20 VER	8000037604	C.252	TS35X7.5 ST KTB7650 VER	8000006717	C.37	VG M25 EXI 64424509440-96634142720 CR7J G4	2723200000	D.33	VG M25 EXI 64424509440-96634142720 SI7J G4	2723210000	D.33
TS15X5 ST MPC0712 VER	8000037599	C.240	TS35X7.5 ST KTB9161 HOR	8000006729	C.40	VG M25 EXI 128849018880-193270284160 CR7J G4	2723220000	D.33			

Type	Order No.	Page
VGM50-SS 68 KB 22-32	1009900000	D.13
VGM63-SS 68 KB 34-44	1009910000	D.13
VH 12.5 SAKK10	9509510000	C.144
VH 12.5 SAKK10	9509510000	C.145
VH 12.5 SAKK10	9509510000	C.146
VH 12.5 SAKK10	9509510000	C.147
VH 12.5 SAKK10	9509510000	C.226
VH 12.5 SAKK10	9509510000	C.227
VH 12.5 SAKK10	9509510000	C.228
VH 12.5 SAKK10	9509510000	C.229
VP 11-K54	0294860000	D.45
VP 11-MS65	0294800000	D.46
VP 13.5-K54	0294960000	D.45
VP 13.5-MS65	0294900000	D.46
VP 16-K54	0295060000	D.45
VP 16-MS65	0295000000	D.46
VP 21-K54	0295160000	D.45
VP 21-MS65	0295100000	D.46
VP 29-K54	0501160000	D.45
VP 29-MS65	0501100000	D.46
VP 36-K54	0501260000	D.45
VP 36-MS65	0501200000	D.46
VP 42-K54	0501360000	D.45
VP 42-MS65	0501300000	D.46
VP 48-K54	1719260000	D.45
VP 48-MS65	1719270000	D.46
VP 7-K54	1719250000	D.45
VP 7-MS65	0521600000	D.46
VP 9-K54	0294760000	D.45
VP 9-MS65	0294700000	D.46
VP M12 EX SI 7J	2066710000	D.49
VP M12 K54	1776930000	D.45
VP M12-MS65	1777720000	D.46
VP M16 EX SI 7J	2066720000	C.208
VP M16 EX SI 7J	2066720000	D.49
VP M16 K54	1776920000	D.45
VP M16-EX W	1188470000	D.48
VP M16-MS65	1777730000	D.46
VP M20 EX SI 7J	2066730000	C.209
VP M20 EX SI 7J	2066730000	C.210
VP M20 EX SI 7J	2066730000	C.211
VP M20 EX SI 7J	2066730000	C.212
VP M20 EX SI 7J	2066730000	D.49
VP M20 K54	1776910000	D.45
VP M20-EX W	1188480000	D.48
VP M20-MS65	1777740000	D.46
VP M25 EX SI 7J	2066740000	D.49
VP M25 K54	1776900000	D.45
VP M25-EX W	1188490000	D.48
VP M25-MS65	1777750000	D.46
VP M32 EX SI 7J	2066750000	D.49
VP M32 K54	1776940000	D.45
VP M32-EX W	1188500000	D.48
VP M32-MS65	1777760000	D.46
VP M40 EX SI 7J	2066760000	D.49
VP M40 K54	1776950000	D.45
VP M40-EX W	1188510000	D.48
VP M40-MS65	1777770000	D.46
VP M50 EX SI 7J	2066770000	D.49
VP M50 K54	1776960000	D.45
VP M50-EX W	1188520000	D.48
VP M50-MS65	1777780000	D.46
VP M63 EX SI 7J	2066940000	D.49
VP M63 K54	1776970000	D.45
VP M63-EX W	1188530000	D.48
VP M63-MS65	1777790000	D.46
VP NPT 1/2-EX W	1188540000	D.48
VP NPT 1-1/2-EX W	1188580000	D.48
VP NPT 1-1/4-EX W	1188570000	D.48
VP NPT 1-EX W	1188560000	D.48
VP NPT 2-1/2-EX W	1188600000	D.48
VP NPT 2-EX W	1188590000	D.48
VP NPT 3/4-EX W	1188550000	D.48
VP-HEX M16-EX W	1218940000	C.50
VP-HEX M16-EX W	1218940000	D.47
VP-HEX M20-EX W	1218950000	C.128
VP-HEX M20-EX W	1218950000	C.129
VP-HEX M20-EX W	1218950000	C.50
VP-HEX M20-EX W	1218950000	C.51
VP-HEX M20-EX W	1218950000	C.52
VP-HEX M20-EX W	1218950000	D.47
VP-HEX M25-EX W	1218960000	C.130
VP-HEX M25-EX W	1218960000	C.52
VP-HEX M25-EX W	1218960000	D.47
VP-HEX M32-EX W	1218970000	C.51
VP-HEX M32-EX W	1218970000	D.47
VP-HEX M40-EX W	1218980000	C.52
VP-HEX M40-EX W	1218980000	D.47
VP-HEX M50-EX W	1218990000	D.47
VP-HEX M63-EX W	1219010000	D.47
VPS M16-EX W	1188690000	D.48
VPS M20-EX W	1188700000	D.48
VPS M25-EX W	1188710000	D.48
VPS M32-EX W	1188720000	D.48
VPS M40-EX W	1188730000	D.48
VPS M50-EX W	1188740000	D.48
VPS M63-EX W	1188750000	D.48
VPS NPT 1/2-EX W	1188760000	D.48
VPS NPT 1-1/2-EX W	1188800000	D.48

Type	Order No.	Page
VPS NPT 1-1/4-EX W	1188790000	D.48
VPS NPT 1-EX W	1188780000	D.48
VPS NPT 2-1/2-EX W	1188820000	D.48
VPS NPT 2-EX W	1188810000	D.48
VPS NPT 3/4-EX W	1188770000	D.48
VPS-HEX M16-EX W	1219020000	D.47
VPS-HEX M20-EX W	1219030000	D.47
VPS-HEX M25-EX W	1219040000	D.47
VPS-HEX M32-EX W	1219050000	D.47
VPS-HEX M40-EX W	1219060000	D.47
VPS-HEX M50-EX W	1219070000	D.47
VPS-HEX M63-EX W	1219080000	D.47

## W

WDU 4	1020100000	C.128
WDU 4	1020100000	C.129
WDU 4	1020100000	C.130
WDU 4	1020100000	C.52
WDU 4 BL	1020180000	C.50
WDU 4 BL	1020180000	C.51
WPE 4	1010100000	C.129
WPE 4	1010100000	C.130
WPE 4	1010100000	C.52
WS 8/8 MM WS	2007170000	C.144
WS 8/8 MM WS	2007170000	C.145
WS 8/8 MM WS	2007170000	C.146
WS 8/8 MM WS	2007170000	C.147
WS 8/8 MM WS	2007170000	C.226
WS 8/8 MM WS	2007170000	C.227
WS 8/8 MM WS	2007170000	C.228
WS 8/8 MM WS	2007170000	C.229

Order No.	Type	Page
-----------	------	------

### 012000000

0122800000	TS 32X15 2M/ST/ZN	C.144
0122800000	TS 32X15 2M/ST/ZN	C.145
0122800000	TS 32X15 2M/ST/ZN	C.146
0122800000	TS 32X15 2M/ST/ZN	C.147
0122800000	TS 32X15 2M/ST/ZN	C.226
0122800000	TS 32X15 2M/ST/ZN	C.227
0122800000	TS 32X15 2M/ST/ZN	C.228
0122800000	TS 32X15 2M/ST/ZN	C.229

### 023000000

0236400000	TS 35X15 2M/ST/ZN	C.144
0236400000	TS 35X15 2M/ST/ZN	C.145
0236400000	TS 35X15 2M/ST/ZN	C.226
0236400000	TS 35X15 2M/ST/ZN	C.227

### 029000000

0294700000	VP 9-MS85	D.46
0294760000	VP 9-K54	D.45
0294800000	VP 11-MS85	D.46
0294960000	VP 11-K54	D.45
0294900000	VP 13,5-MS85	D.46
0294960000	VP 13,5-K54	D.45
0295000000	VP 16-MS85	D.46
0295060000	VP 16-K54	D.45
0295100000	VP 21-MS85	D.46
0295160000	VP 21-K54	D.45

### 030000000

0303000000	KISC M3X20.5/10 EK4	C.144
0303000000	KISC M3X20.5/10 EK4	C.145
0303000000	KISC M3X20.5/10 EK4	C.146
0303000000	KISC M3X20.5/10 EK4	C.147
0303000000	KISC M3X20.5/10 EK4	C.226
0303000000	KISC M3X20.5/10 EK4	C.227
0303000000	KISC M3X20.5/10 EK4	C.228
0303000000	KISC M3X20.5/10 EK4	C.229

### 034000000

0342000000	KLIPPON K1	C.150
0342000000	KLIPPON K1	C.155

### 342000000

3420000000	KLIPPON K1	C.172
------------	------------	-------

### 034000000

0342100000	KLIPPON K2	C.150
0342100000	KLIPPON K2	C.157
0342100000	KLIPPON K2	C.172
0342200000	KLIPPON K3	C.150
0342200000	KLIPPON K3	C.159
0342200000	KLIPPON K3	C.172
0342300000	KLIPPON K4	C.150
0342300000	KLIPPON K4	C.162
0342300000	KLIPPON K4	C.172
0342400000	KLIPPON K5	C.150
0342400000	KLIPPON K5	C.164
0342400000	KLIPPON K5	C.172
0342500000	KLIPPON K6	C.150
0342500000	KLIPPON K6	C.167
0342600000	KLIPPON K7	C.150
0342600000	KLIPPON K7	C.169

### 036000000

0360100000	TBF 19/15/14 T035	C.230
0360100000	TBF 19/15/14 T035	C.232
0360200000	TBF 30/19/18 T035	C.230
0360200000	TBF 30/19/18 T035	C.232
0360300000	TBF 30/30/18 T035	C.230

### 360000000

3603000000	TBF 30/30/18 T035	C.233
------------	-------------------	-------

### 036000000

0360400000	TBF 37/30/18 T035	C.230
0360400000	TBF 37/30/18 T035	C.233
0360500000	TBF 60/30/18 T035	C.230

### 360000000

3605000000	TBF 60/30/18 T035	C.235
------------	-------------------	-------

### 036000000

0360800000	MF TBF	C.232
------------	--------	-------

### 360000000

3608000000	MF TBF	C.232
------------	--------	-------

Order No.	Type	Page
-----------	------	------

### 036000000

0360800000	MF TBF	C.233
------------	--------	-------

### 360000000

3608000000	MF TBF	C.233
------------	--------	-------

### 036000000

0360800000	MF TBF	C.234
------------	--------	-------

### 360000000

3608000000	MF TBF	C.234
------------	--------	-------

### 036000000

0360800000	MF TBF	C.235
------------	--------	-------

### 360000000

0360800000	MF TBF	C.236
------------	--------	-------

### 043000000

0433500000	SFNS5 VKMU M5 SW15	C.118
0433500000	SFNS5 VKMU M5 SW15	C.119
0433500000	SFNS5 VKMU M5 SW15	C.120
0433500000	SFNS5 VKMU M5 SW15	C.121
0433500000	SFNS5 VKMU M5 SW15	C.122
0433500000	SFNS5 VKMU M5 SW15	C.123
0433500000	SFNS5 VKMU M5 SW15	C.124
0433500000	SFNS5 VKMU M5 SW15	C.125
0433500000	SFNS5 VKMU M5 SW15	C.144
0433500000	SFNS5 VKMU M5 SW15	C.145

### 044000000

0445600000	MEW 1/32	C.144
0445600000	MEW 1/32	C.145
0445600000	MEW 1/32	C.146
0445600000	MEW 1/32	C.147
0445600000	MEW 1/32	C.226
0445600000	MEW 1/32	C.227
0445600000	MEW 1/32	C.228
0445600000	MEW 1/32	C.229

### 050000000

0500500000	TBF 19/15/14 TRSP	C.230
0500500000	TBF 19/15/14 TRSP	C.232
0500600000	TBF 30/19/18 TRSP	C.230
0500600000	TBF 30/19/18 TRSP	C.232
0500700000	TBF 30/30/18 TRSP	C.230
0500700000	TBF 30/30/18 TRSP	C.233
0500800000	TBF 37/30/18 TRSP	C.230
0500800000	TBF 37/30/18 TRSP	C.233
0500900000	TBF 60/30/21 TRSP	C.230
0500900000	TBF 60/30/21 TRSP	C.235
0501100000	VP 29-MS85	D.46
0501160000	VP 29-K54	D.45
0501200000	VP 36-MS85	D.46
0501260000	VP 36-K54	D.45
0501300000	VP 42-MS85	D.46
0501360000	VP 42-K54	D.45

### 052000000

0521600000	VP 7-MS85	D.46
------------	-----------	------

### 057000000

0573200000	KLIPPON K0	C.150
0573200000	KLIPPON K0	C.152
0573300000	KLIPPON K1	C.150
0573300000	KLIPPON K11	C.156
0573300000	KLIPPON K11	C.172
0573400000	KLIPPON K2	C.150
0573400000	KLIPPON K21	C.158
0573400000	KLIPPON K21	C.172
0573500000	KLIPPON K3	C.150
0573500000	KLIPPON K31	C.160
0573500000	KLIPPON K31	C.172
0573600000	KLIPPON K61	C.150
0573600000	KLIPPON K61	C.168
0573700000	KLIPPON K71	C.150
0573700000	KLIPPON K71	C.170

### 064000000

0642600000	FKSC M6X8 D9/SW3	C.18
0642600000	FKSC M6X8 D9/SW3	C.188
0642600000	FKSC M6X8 D9/SW3	C.189
0642600000	FKSC M6X8 D9/SW3	C.190
0642600000	FKSC M6X8 D9/SW3	C.191
0642600000	FKSC M6X8 D9/SW3	C.192

Order No.	Type	Page
-----------	------	------

0642600000	FKSC M6X8 D9/SW3	C.193
0642600000	FKSC M6X8 D9/SW3	C.194
0642600000	FKSC M6X8 D9/SW3	C.195
0642600000	FKSC M6X8 D9/SW3	C.196
0642600000	FKSC M6X8 D9/SW3	C.197
0642600000	FKSC M6X8 D9/SW3	C.198
0642600000	FKSC M6X8 D9/SW3	C.199
0642600000	FKSC M6X8 D9/SW3	C.20
0642600000	FKSC M6X8 D9/SW3	C.200
0642600000	FKSC M6X8 D9/SW3	C.201
0642600000	FKSC M6X8 D9/SW3	C.202
0642600000	FKSC M6X8 D9/SW3	C.203
0642600000	FKSC M6X8 D9/SW3	C.204
0642600000	FKSC M6X8 D9/SW3	C.21
0642600000	FKSC M6X8 D9/SW3	C.22
0642600000	FKSC M6X8 D9/SW3	C.23
0642600000	FKSC M6X8 D9/SW3	C.24
0642600000	FKSC M6X8 D9/SW3	C.25
0642600000	FKSC M6X8 D9/SW3	C.26
0642600000	FKSC M6X8 D9/SW3	C.27
0642600000	FKSC M6X8 D9/SW3	C.28
0642600000	FKSC M6X8 D9/SW3	C.29
0642600000	FKSC M6X8 D9/SW3	C.30
0642600000	FKSC M6X8 D9/SW3	C.31
0642600000	FKSC M6X8 D9/SW3	C.32
0642600000	FKSC M6X8 D9/SW3	C.34
0642600000	FKSC M6X8 D9/SW3	C.35
0642600000	FKSC M6X8 D9/SW3	C.37
0642600000	FKSC M6X8 D9/SW3	C.38
0642600000	FKSC M6X8 D9/SW3	C.40
0642600000	FKSC M6X8 D9/SW3	C.41
0642600000	FKSC M6X8 D9/SW3	C.42
0642600000	FKSC M6X8 D9/SW3	C.50
0642600000	FKSC M6X8 D9/SW3	C.51
0642600000	FKSC M6X8 D9/SW3	C.52

### 093000000

0930640001	SKMU M16 MS SC	D.37
0930640002	SKMU M20 MS SC	D.37
0930640003	SKMU M25 MS SC	D.37
0930640004	SKMU M32 MS SC	D.37
0930640005	SKMU M40 MS SC	D.37
0930640006	SKMU M50 MS SC	D.37
0930640007	SKMU M63 MS SC	D.37
0930640008	SKMU M75 MS SC	D.37
0930710001	EA-RING MS/M16 SC	D.43
0930710002	EA-RING MS/M20 SC	D.43
0930710003	EA-RING MS/M25 SC	D.43
0930710004	EA-RING MS/M32 SC	D.43
0930710005	EA-RING MS/M40 SC	D.43
0930710006	EA-RING MS/M50 SC	D.43
0930710007	EA-RING MS/M63 SC	D.43
0930710008	EA-RING MS/M75 SC	D.43
0935110000	SP M6 10 S2	C.102
0935110000	SP M6 10 S2	C.103
0935110000	SP M6 10 S2	C.104
0935110000	SP M6 10 S2	C.105
0935110000	SP M6 10 S2	C.106
0935110000	SP M6 10 S2	C.107
0935110000	SP M6 10 S2	C.108
0935110000	SP M6 10 S2	C.109
0935110000	SP M6 10 S2	C.110
0935110000	SP M6 10 S2	C.111
0935110000	SP M6 10 S2	C.112
0935110000	SP M6 10 S2	C.118
0935110000	SP M6 10 S2	C.119
0935110000	SP M6 10 S2	C.120
0935110000	SP M6 10 S2	C.121
0935110000	SP M6 10 S2	C.122
0935110000	SP M6 10 S2	C.123
0935110000	SP M6 10 S2	C.124
0935110000	SP M6 10 S2	C.125
0935110000	SP M6 10 S2	C.126
0935110000	SP M6 10 S2	C.127
0935110000	SP M6 10 S2	C.128
0935110000	SP M6 10 S2	C.129
0935110000	SP M6 10 S2	C.130
0935110000	SP M6 10 S2	C.131
0935110000	SP M6 10 S2	C.132

Order No.	Type	Page
1002720000	KLIPPPON STB 3 SS	C.129
1002730000	KLIPPPON STB 2.1 SS	C.116
1002740000	KLIPPPON STB 2.1 SS	C.121
1002750000	KLIPPPON STB 2 SS	C.116
1002760000	KLIPPPON STB 2.1 SS	C.120
1002770000	KLIPPPON STB 1.1 SS	C.116
1002780000	KLIPPPON STB 1.1 SS	C.119
1002790000	KLIPPPON STB 6 SS	C.116
1002800000	KLIPPPON STB 6 SS	C.125
1009740000	VG 7-SS 68 KB 3-6.5	D.13
1009750000	VG 9-SS 68 KB 4-8	D.13
1009760000	VG 11-SS 68 KB 5-10	D.13
1009780000	VG 16-SS 68 KB 10-14	D.13
1009790000	VG 21-SS 68 KB 13-18	D.13
1009800000	VG 29-SS 68 KB 18-25	D.13
1009810000	VG 36-SS 68 KB 22-32	D.13
1009840000	VGM12-SS 68 KB 3-6.5	D.13
1009850000	VGM16-SS 68 KB 4-8	D.13
1009860000	VGM20-SS 68 KB 6-12	D.13
1009870000	VGM25-SS 68 KB 10-14	D.13
1009880000	VGM32-SS 68 KB 13-18	D.13
1009890000	VGM40-SS 68 KB 18-25	D.13
1009900000	VGM50-SS 68 KB 22-32	D.13
1009910000	VGM63-SS 68 KB 34-44	D.13

## 1010000000

Order No.	Type	Page
1010100000	WPE 4	C.129
1010100000	WPE 4	C.130
1010100000	WPE 4	C.52
1016070000	VG 16 HQ K68 9-13	D.15
1016080000	VG 16 HQ K68 11.5-15.5	D.15
1016090000	VG 21 HQ MS68 9-13	D.15
1016100000	VG 21 HQ MS68 11.5-15.5	D.15
1016110000	VG 21 HQ MS68 14-18	D.15
1016120000	VG 21 HQ EMV68 11-15.5	D.15
1016130000	VG 21 HQ EMV68 14-18	D.15

## 1020000000

Order No.	Type	Page
1020100000	WDU 4	C.128
1020100000	WDU 4	C.129
1020100000	WDU 4	C.130
1020100000	WDU 4	C.52
1020180000	WDU 4 BL	C.50
1020180000	WDU 4 BL	C.51
1024970000	KLIPPPON STB 1 MS HT	C.116
1024980000	KLIPPPON STB 1 MS HT	C.118
1024990000	KLIPPPON STB 1.1 MS HT	C.119
1024990000	KLIPPPON STB 2 MS HT	C.116
1024990000	KLIPPPON STB 2 MS HT	C.120
1025010000	KLIPPPON STB 2.1 MS HT	C.116
1025010000	KLIPPPON STB 2.1 MS HT	C.121
1025020000	KLIPPPON STB 3 MS HT	C.116
1025020000	KLIPPPON STB 3 MS HT	C.122
1025030000	KLIPPPON STB 4 MS HT	C.116
1025030000	KLIPPPON STB 4 MS HT	C.123
1025030000	KLIPPPON STB 4 MS HT	C.144
1025030000	KLIPPPON STB 4 MS HT	C.145
1025030000	KLIPPPON STB 4 MS HT	C.146
1025030000	KLIPPPON STB 4 MS HT	C.147
1025040000	KLIPPPON STB 5 MS HT	C.116
1025040000	KLIPPPON STB 5 MS HT	C.124
1025050000	KLIPPPON STB 6 MS HT	C.116
1025050000	KLIPPPON STB 6 MS HT	C.125

## 1040000000

Order No.	Type	Page
1045530000	VG16 HQ K68 9-12SH	D.15
1045540000	VG16 HQ K68 11.5-15.5SH	D.15

## 1050000000

Order No.	Type	Page
1058810000	KLIPPPON STB 1 SS E	C.116
1058810000	KLIPPPON STB 1 SS E	C.118
1058820000	KLIPPPON STB 1.1 SS E	C.116
1058820000	KLIPPPON STB 1.1 SS E	C.119
1058830000	KLIPPPON STB 2 SS E	C.116
1058830000	KLIPPPON STB 2 SS E	C.120
1058840000	KLIPPPON STB 2.1 SS E	C.116
1058840000	KLIPPPON STB 2.1 SS E	C.121
1058850000	KLIPPPON STB 3 SS E	C.116
1058850000	KLIPPPON STB 3 SS E	C.122
1058860000	KLIPPPON STB 4 SS E	C.116
1058860000	KLIPPPON STB 4 SS E	C.123
1058870000	KLIPPPON STB 6 SS E	C.116
1058870000	KLIPPPON STB 6 SS E	C.125
1058880000	KLIPPPON STB 5 SS E	C.116
1058880000	KLIPPPON STB 5 SS E	C.124

## 1180000000

Order No.	Type	Page
1184650000	E1W/16/M16-WM	D.20
1184670000	E1W/20/M20-WM	D.20
1184680000	E1W/20/M20-WM	D.20
1184690000	E1W/25/M25-WM	D.20
1184700000	E1W/32/M32-WM	D.20

Order No.	Type	Page
1184710000	E1W/40/M40-WM	D.20
1184720000	E1W/50/M50-WM	D.20
1184730000	E1W/50/M50-WM	D.20
1184740000	E1W/63/M63-WM	D.20
1184750000	E1W/63/M63-WM	D.20
1184770000	E1W/16/NPT1/2-WM	D.20
1184780000	E1W/20/NPT1/2-WM	D.20
1184790000	E1W/20/NPT1/2-WM	D.20
1184800000	E1W/25/NPT3/4-WM	D.20
1184810000	E1W/32/NPT1-WM	D.20
1184820000	E1W/40/NPT1/4-WM	D.20
1184830000	E1W/50/NPT1/2-WM	D.20
1184840000	E1W/50/NPT2-WM	D.20
1184850000	E1W/63/NPT2-WM	D.20
1184870000	E1W/63/NPT2/1/2-WM	D.20
1184880000	E1W/16/NPT3/4-WM	D.20
1184890000	E1W/20/NPT3/4-WM	D.20
1184900000	E1W/20/NPT3/4-WM	D.20
1184910000	E1W/25/NPT1-WM	D.20
1184920000	E1W/32/NPT1/4-WM	D.20
1184930000	E1W/40/NPT1/2-WM	D.20
1184940000	E1W/50/NPT2-WM	D.20
1184950000	E1W/63/NPT2/1/2-WM	D.20
1184970000	E1XZ/16/M16-WM	D.22
1184980000	E1XZ/20/M20-WM	D.22
1184990000	E1XZ/20/M20-WM	D.22
1185000000	E1XZ/25/M25-WM	D.22
1185010000	E1XZ/32/M32-WM	D.22
1185020000	E1XZ/40/M40-WM	D.22
1185030000	E1XZ/50/M50-WM	D.22
1185040000	E1XZ/50/M50-WM	D.22
1185050000	E1XZ/63/M63-WM	D.22
1185070000	E1XZ/63/M63-WM	D.22
1185080000	E1XZ/16/NPT1/2-WM	D.22
1185090000	E1XZ/20/NPT1/2-WM	D.22
1185100000	E1XZ/20/NPT1/2-WM	D.22
1185110000	E1XZ/25/NPT3/4-WM	D.22
1185120000	E1XZ/32/NPT1-WM	D.22
1185130000	E1XZ/40/NPT1/4-WM	D.22
1185140000	E1XZ/50/NPT1/2-WM	D.22
1185150000	E1XZ/50/NPT2-WM	D.22
1185170000	E1XZ/63/NPT2-WM	D.22
1185180000	E1XZ/63/NPT2/1/2-WM	D.22
1185190000	E1XZ/16/NPT3/4-WM	D.22
1185200000	E1XZ/20/NPT3/4-WM	D.22
1185210000	E1XZ/20/NPT3/4-WM	D.22
1185220000	E1XZ/25/NPT1-WM	D.22
1185230000	E1XZ/32/NPT1/4-WM	D.22
1185240000	E1XZ/40/NPT1/2-WM	D.22
1185250000	E1XZ/50/NPT2-WM	D.22
1185270000	E1XZ/63/NPT2/1/2-WM	D.22
1185280000	A2LS/16/M16-WM	D.19
1185290000	A2LS/20/M20-WM	D.19
1185300000	A2LS/20/M20-WM	D.19
1185310000	A2LS/25/M25-WM	D.19
1185320000	A2LS/32/M32-WM	D.19
1185330000	A2LS/40/M40-WM	D.19
1185340000	A2LS/50/M50-WM	D.19
1185350000	A2LS/50/M50-WM	D.19
1185370000	A2LS/63/M63-WM	D.19
1185380000	A2LS/63/M63-WM	D.19
1185390000	A2LS/16/NPT1/2-WM	D.19
1185400000	A2LS/20/NPT1/2-WM	D.19
1185410000	A2LS/20/NPT1/2-WM	D.19
1185420000	A2LS/25/NPT3/4-WM	D.19
1185430000	A2LS/32/NPT1-WM	D.19
1185440000	A2LS/40/NPT1/4-WM	D.19
1185450000	A2LS/50/NPT1/2-WM	D.19
1185470000	A2LS/50/NPT2-WM	D.19
1185480000	A2LS/63/NPT2-WM	D.19
1185490000	A2LS/63/NPT2/1/2-WM	D.19
1185500000	A2LS/16/NPT3/4-WM	D.19
1185510000	A2LS/20/NPT3/4-WM	D.19
1185520000	A2LS/20/NPT3/4-WM	D.19
1185530000	A2LS/25/NPT1-WM	D.19
1185540000	A2LS/32/NPT1/4-WM	D.19
1185550000	A2LS/40/NPT1/2-WM	D.19
1185570000	A2LS/50/NPT2-WM	D.19
1185580000	A2LS/63/NPT2/1/2-WM	D.19
1185600000	GWDR M16-W	D.42
1185610000	GWDR M20-W	D.42
1185620000	GWDR M25-W	D.42
1185630000	GWDR M32-W	D.42
1185640000	GWDR M40-W	D.42
1185650000	GWDR M50-W	D.42
1185670000	GWDR M63-W	D.42
1185680000	SKMUS M16-W	D.39
1185690000	SKMUS M20-W	D.39
1185700000	SKMUS M25-W	D.39
1185710000	SKMUS M32-W	D.39
1185720000	SKMUS M40-W	D.39
1185730000	SKMUS M50-W	D.39
1185740000	SKMUS M63-W	D.39
1186880000	A2L/16/M16-WM	D.18
1186890000	A2L/20S/M20-WM	D.18
1186900000	A2L/20/M20-WM	D.18
1186910000	A2L/25/M25-WM	D.18
1186920000	A2L/32/M32-WM	D.18
1186930000	A2L/40/M40-WM	D.18

Order No.	Type	Page
1186940000	A2L/50S/M50-WM	D.18
1186950000	A2L/50/M50-WM	D.18
1186970000	A2L/63S/M63-WM	D.18
1186980000	A2L/63/M63-WM	D.18
1186990000	A2L/16/NPT1/2-WM	D.18
1187000000	A2L/20S/NPT1/2-WM	D.18
1187010000	A2L/20/NPT1/2-WM	D.18
1187020000	A2L/25/NPT3/4-WM	D.18
1187030000	A2L/32/NPT1-WM	D.18
1187040000	A2L/40/NPT1/4-WM	D.18
1187050000	A2L/50S/NPT1/2-WM	D.18
1187070000	A2L/50/NPT2-WM	D.18
1187080000	A2L/63S/NPT2-WM	D.18
1187090000	A2L/63/NPT2/1/2-WM	D.18
1187100000	A2L/16/NPT3/4-WM	D.18
1187110000	A2L/20S/NPT3/4-WM	D.18
1187120000	A2L/20/NPT3/4-WM	D.18
1187130000	A2L/25/NPT1-WM	D.18
1187140000	A2L/32/NPT1/4-WM	D.18
1187150000	A2L/40/NPT1/2-WM	D.18
1187160000	A2L/50S/NPT2-WM	D.18
1187170000	A2L/63S/NPT2/1/2-WM	D.18
1187180000	A2LCS/16/M16-M20F-WM	D.27
1187190000	A2LCS/20S/M20-M20F-WM	D.27
1187200000	A2LCS/20/M20-M20F-WM	D.27
1187210000	A2LCS/25-M25F-WM	D.27
1187220000	A2LCS/32/M32-M32F-WM	D.27
1187230000	A2LCS/40/M40-M40F-WM	D.27
1187240000	A2LCS/50S/M50-M50F-WM	D.27
1187250000	A2LCS/50/M50-M50F-WM	D.27
1187260000	A2LCS/63S/M63-M63F-WM	D.27
1187270000	A2LCS/63/M63-M63F-WM	D.27
1187280000	A2LCS/16/M16-NPT1/2F-WM	D.27
1187290000	A2LCS/20S/M20-NPT1/2F-WM	D.27
1187300000	A2LCS/20/M20-NPT1/2F-WM	D.27
1187310000	A2LCS/25/M25-NPT3/4F-WM	D.27
1187320000	A2LCS/32/M32-NPT1F-WM	D.27
1187330000	A2LCS/40/M40-NPT1/4F-WM	D.27
1187340000	A2LCS/50S/M50-NPT1/2F-WM	D.27
1187350000	A2LCS/50/M50-NPT2F-WM	D.27
1187360000	A2LCS/63S/M63-NPT2F-WM	D.27
1187370000	A2LCS/63/M63-NPT2/1/2F-WM	D.27
1187380000	A2LCS/16/M16-NPT3/4F-WM	D.27
1187390000	A2LCS/20S/M20-NPT3/4F-WM	D.27
1187400000	A2LCS/20/M20-NPT3/4F-WM	D.27
1187410000	A2LCS/25/M25-NPT1F-WM	D.27
1187420000	A2LCS/32/M32-NPT1/4F-WM	D.27
1187430000	A2LCS/40/M40-NPT1/2F-WM	D.27
1187440000	A2LCS/50S/M50-NPT2F-WM	D.27
1187450000	A2LCS/63S/M63-NPT2/1/2F-WM	D.27
1187460000	A2LCS/16/NPT1/2-M20F-WM	D.28
1187470000	A2LCS/20S/NPT1/2-M20F-WM	D.28
1187480000	A2LCS/20/NPT1/2-M20F-WM	D.28
1187490000	A2LCS/25/NPT3/4-M25F-WM	D.28
1187500000	A2LCS/32/NPT1-M32F-WM	D.28
1187510000	A2LCS/40/NPT1/4-M40F-WM	D.28
1187520000	A2LCS/50/NPT1/2-M50F-WM	D.28
1187530000	A2LCS/50/NPT2-M50F-WM	D.28
1187540000	A2LCS/63S/NPT2-M63F-WM	D.28
1187550000	A2LCS/63/NPT2/1/2-M63	D.28
1187560000	A2LCS/16/NPT1/2-NPT1/2	D.29
1187570000	A2LCS/20S/NPT1/2-NPT1/2	D.29
1187580000	A2LCS/20/NPT1/2-NPT1/2	D.29
1187590000	A2LCS/25/NPT3/4-NPT3/4	D.29
1187600000	A2LCS/32/NPT1-NPT1F-WM	D.29
1187620000	A2LCS/50S/NPT1/2-NPT1	D.29
1187630000	A2LCS/50/NPT2-NPT2F-WM	D.29
1187640000	A2LCS/63S/NPT2-NPT2F-WM	D.29
1187650000	A2LCS/63/NPT1/2-NPT2	D.29
1187660000	A2LCS/16/NPT1/2-NPT3/4F	D.29
1187670000	A2LCS/20S/NPT1/2-NPT3/4	D.29
1187680000	A2LCS/20/NPT1/2-NPT3/4F	D.29
11876900		

Order No.	Type	Page	Order No.	Type	Page	Order No.	Type	Page	Order No.	Type	Page
1192690000	PEBZ M10 KTB S4 SET	C.30	1194720000	KTB MH 303015 S4E2	C.14	1195340000	KTB MH 624515 S4E4	C.14	1196150000	KTB FS 453820 S4E0	C.46
1192690000	PEBZ M10 KTB S4 SET	C.31	1194730000	KTB MH 303015 S4E3	C.14	1195350000	KTB MH 624520 S4E0	C.14	1196160000	KTB FS 453820 S4E1	C.46
1192690000	PEBZ M10 KTB S4 SET	C.32	1194730000	KTB MH 303015 S4E3	C.21	1195360000	KTB MH 624520 S4E0	C.35	1196170000	KTB FS 453820 S4E2	C.46
1192690000	PEBZ M10 KTB S4 SET	C.33	1194740000	KTB MH 303015 S4E4	C.14	1195360000	KTB MH 624520 S4E1	C.14	1196180000	KTB FS 453820 S4E3	C.46
1192690000	PEBZ M10 KTB S4 SET	C.34	1194750000	KTB MH 303020 S4E0	C.14	1195360000	KTB MH 624520 S4E1	C.35	1196190000	KTB FS 453820 S4E4	C.46
1192690000	PEBZ M10 KTB S4 SET	C.35	1194750000	KTB MH 303020 S4E2	C.22	1195370000	KTB MH 624520 S4E2	C.14	1196200000	KTB FS 484815 S4E0	C.46
1192690000	PEBZ M10 KTB S4 SET	C.36	1194760000	KTB MH 303020 S4E1	C.14	1195380000	KTB MH 624520 S4E3	C.14	1196210000	KTB FS 484815 S4E1	C.46
1192690000	PEBZ M10 KTB S4 SET	C.37	1194760000	KTB MH 303020 S4E1	C.22	1195380000	KTB MH 624520 S4E3	C.35	1196220000	KTB FS 484815 S4E2	C.46
1192690000	PEBZ M10 KTB S4 SET	C.38	1194770000	KTB MH 303020 S4E2	C.14	1195390000	KTB MH 624520 S4E4	C.14	1196230000	KTB FS 484815 S4E3	C.46
1192690000	PEBZ M10 KTB S4 SET	C.39	1194780000	KTB MH 303020 S4E3	C.14	1195400000	KTB MH 765015 S4E0	C.14	1196240000	KTB FS 484815 S4E4	C.46
1192690000	PEBZ M10 KTB S4 SET	C.40	1194780000	KTB MH 303020 S4E3	C.22	1195400000	KTB MH 765015 S4E0	C.37	1196250000	KTB FS 484820 S4E0	C.46
1192690000	PEBZ M10 KTB S4 SET	C.41	1194790000	KTB MH 303020 S4E4	C.14	1195410000	KTB MH 765015 S4E1	C.14	1196260000	KTB FS 484820 S4E1	C.46
1192690000	PEBZ M10 KTB S4 SET	C.42	1194800000	KTB MH 352615 S4E0	C.14	1195410000	KTB MH 765015 S4E1	C.37	1196270000	KTB FS 484820 S4E2	C.46
1192690000	PEBZ M10 KTB S4 SET	C.50	1194800000	KTB MH 352615 S4E0	C.23	1195420000	KTB MH 765015 S4E2	C.14	1196280000	KTB FS 484820 S4E3	C.46
1192690000	PEBZ M10 KTB S4 SET	C.51	1194810000	KTB MH 352615 S4E1	C.14	1195430000	KTB MH 765015 S4E3	C.14	1196290000	KTB FS 484820 S4E4	C.46
1192690000	PEBZ M10 KTB S4 SET	C.52	1194810000	KTB MH 352615 S4E1	C.23	1195430000	KTB MH 765015 S4E3	C.37	1196300000	KTB FS 553515 S4E0	C.46
1193570000	VGM25-SS68 11-20 BG	D.14	1194820000	KTB MH 352615 S4E2	C.14	1195440000	KTB MH 765015 S4E4	C.14	1196310000	KTB FS 553515 S4E1	C.46
1193580000	VGM32-SS68 15-25 BG	D.14	1194830000	KTB MH 352615 S4E3	C.14	1195450000	KTB MH 765020 S4E0	C.14	1196320000	KTB FS 553515 S4E2	C.46
1193590000	VGM40-SS68 20-32 BG	D.14	1194830000	KTB MH 352615 S4E3	C.23	1195450000	KTB MH 765020 S4E0	C.38	1196330000	KTB FS 553515 S4E3	C.46
1193600000	VGM25-MS68 11-20 BG	D.9	1194840000	KTB MH 352615 S4E4	C.14	1195460000	KTB MH 765020 S4E1	C.14	1196340000	KTB FS 553515 S4E4	C.46
1193610000	VGM32-MS68 15-25 BG	D.9	1194850000	KTB MH 352620 S4E0	C.14	1195460000	KTB MH 765020 S4E1	C.38	1196350000	KTB FS 553520 S4E0	C.46
1193620000	VGM40-MS68 20-32 BG	D.9	1194850000	KTB MH 352620 S4E0	C.24	1195470000	KTB MH 765020 S4E2	C.14	1196360000	KTB FS 553520 S4E1	C.46
1193810000	KTB MOPL 2215 S2N	C.18	1194860000	KTB MH 352620 S4E1	C.14	1195480000	KTB MH 765020 S4E3	C.14	1196370000	KTB FS 553520 S4E2	C.46
1193810000	KTB MOPL 2215 S2N	C.50	1194860000	KTB MH 352620 S4E1	C.24	1195480000	KTB MH 765020 S4E3	C.38	1196380000	KTB FS 553520 S4E3	C.46
1193820000	KTB MOPL 2626 S2N	C.19	1194870000	KTB MH 352620 S4E2	C.14	1195490000	KTB MH 765020 S4E4	C.14	1196390000	KTB FS 553520 S4E4	C.46
1193820000	KTB MOPL 2626 S2N	C.20	1194880000	KTB MH 352620 S4E3	C.14	1195500000	KTB MH 916115 S4E0	C.14	1196400000	KTB FS 624515 S4E0	C.46
1193820000	KTB MOPL 2626 S2N	C.51	1194880000	KTB MH 352620 S4E3	C.24	1195500000	KTB MH 916115 S4E0	C.40	1196410000	KTB FS 624515 S4E1	C.46
1193830000	KTB MOPL 3030 S2N	C.21	1194890000	KTB MH 352620 S4E4	C.14	1195510000	KTB MH 916115 S4E1	C.14	1196420000	KTB FS 624515 S4E2	C.46
1193830000	KTB MOPL 3030 S2N	C.22	1194900000	KTB MH 403015 S4E0	C.14	1195510000	KTB MH 916115 S4E1	C.41	1196430000	KTB FS 624515 S4E3	C.46
1193840000	KTB MOPL 3526 S2N	C.23	1194900000	KTB MH 403015 S4E0	C.25	1195520000	KTB MH 916115 S4E2	C.14	1196440000	KTB FS 624515 S4E4	C.46
1193840000	KTB MOPL 3526 S2N	C.24	1194910000	KTB MH 403015 S4E1	C.14	1195530000	KTB MH 916115 S4E3	C.14	1196450000	KTB FS 624520 S4E0	C.46
1193850000	KTB MOPL 4030 S2N	C.25	1194910000	KTB MH 403015 S4E1	C.25	1195530000	KTB MH 916115 S4E3	C.40	1196460000	KTB FS 624520 S4E1	C.46
1193850000	KTB MOPL 4030 S2N	C.26	1194920000	KTB MH 403015 S4E2	C.14	1195540000	KTB MH 916115 S4E4	C.14	1196470000	KTB FS 624520 S4E2	C.46
1193860000	KTB MOPL 4538 S2N	C.27	1194930000	KTB MH 403015 S4E3	C.14	1195550000	KTB MH 916120 S4E0	C.14	1196480000	KTB FS 624520 S4E3	C.46
1193860000	KTB MOPL 4538 S2N	C.28	1194930000	KTB MH 403015 S4E3	C.25	1195550000	KTB MH 916120 S4E0	C.41	1196490000	KTB FS 624520 S4E4	C.46
1193870000	KTB MOPL 4848 S2N	C.29	1194940000	KTB MH 403015 S4E4	C.14	1195560000	KTB MH 916120 S4E1	C.14	1196500000	KTB FS 765015 S4E0	C.46
1193870000	KTB MOPL 4848 S2N	C.30	1194950000	KTB MH 403020 S4E0	C.14	1195560000	KTB MH 916120 S4E1	C.41	1196510000	KTB FS 765015 S4E1	C.46
1193870000	KTB MOPL 4848 S2N	C.52	1194950000	KTB MH 403020 S4E0	C.26	1195570000	KTB MH 916120 S4E2	C.14	1196520000	KTB FS 765015 S4E2	C.46
1193880000	KTB MOPL 5535 S2N	C.31	1194960000	KTB MH 403020 S4E1	C.14	1195580000	KTB MH 916120 S4E3	C.14	1196530000	KTB FS 765015 S4E3	C.46
1193880000	KTB MOPL 5535 S2N	C.32	1194960000	KTB MH 403020 S4E1	C.26	1195580000	KTB MH 916120 S4E3	C.41	1196540000	KTB FS 765015 S4E4	C.46
1193890000	KTB MOPL 6245 S2N	C.34	1194970000	KTB MH 403020 S4E2	C.14	1195590000	KTB MH 916120 S4E4	C.14	1196550000	KTB FS 765020 S4E0	C.46
1193890000	KTB MOPL 6245 S2N	C.35	1194980000	KTB MH 403020 S4E3	C.14	1195600000	KTB MH 987420 S4E0	C.14	1196560000	KTB FS 765020 S4E1	C.46
1193900000	KTB MOPL 7650 S2N	C.37	1194980000	KTB MH 403020 S4E3	C.26	1195600000	KTB MH 987420 S4E0	C.42	1196570000	KTB FS 765020 S4E2	C.46
1193900000	KTB MOPL 7650 S2N	C.38	1194990000	KTB MH 403020 S4E4	C.14	1195610000	KTB MH 987420 S4E1	C.14	1196580000	KTB FS 765020 S4E3	C.46
1193910000	KTB MOPL 9161 S2N	C.40	1195000000	KTB MH 453815 S4E0	C.14	1195610000	KTB MH 987420 S4E1	C.42	1196590000	KTB FS 765020 S4E4	C.46
1193910000	KTB MOPL 9161 S2N	C.41	1195000000	KTB MH 453815 S4E0	C.27	1195620000	KTB MH 987420 S4E2	C.14	1196600000	KTB FS 916115 S4E0	C.46
1193920000	KTB MOPL 9874 S2N	C.42	1195010000	KTB MH 453815 S4E1	C.14	1195620000	KTB MH 987420 S4E2	C.14	1196610000	KTB FS 916115 S4E1	C.46
1193930000	KTB MOPL 2215 MSZN	C.18	1195010000	KTB MH 453815 S4E1	C.27	1195630000	KTB MH 987420 S4E3	C.42	1196620000	KTB FS 916115 S4E2	C.46
1193950000	KTB MOPL 2626 MSZN	C.19	1195020000	KTB MH 453815 S4E2	C.14	1195640000	KTB MH 987420 S4E4	C.14	1196630000	KTB FS 916115 S4E3	C.46
1193950000	KTB MOPL 2626 MSZN	C.20	1195030000	KTB MH 453815 S4E3	C.14	1195650000	KTB FS 221513 S4E0	C.46	1196640000	KTB FS 916115 S4E4	C.46
1193960000	KTB MOPL 3030 MSZN	C.21	1195030000	KTB MH 453815 S4E3	C.27	1195660000	KTB FS 221513 S4E1	C.46	1196650000	KTB FS 916120 S4E0	C.46
1193960000	KTB MOPL 3030 MSZN	C.22	1195040000	KTB MH 453815 S4E4	C.14	1195670000	KTB FS 221513 S4E2	C.46	1196660000	KTB FS 916120 S4E1	C.46
1193970000	KTB MOPL 3526 MSZN	C.23	1195050000	KTB MH 453820 S4E0	C.14	1195680000	KTB FS 221513 S4E3	C.46	1196670000	KTB FS 916120 S4E2	C.46
1193970000	KTB MOPL 3526 MSZN	C.24	1195050000	KTB MH 453820 S4E0	C.28	1195680000	KTB FS 221513 S4E3	C.46	1196680000	KTB FS 916120 S4E3	C.46
1193980000	KTB MOPL 4030 MSZN	C.25	1195060000	KTB MH 453820 S4E1	C.14	1195700000	KTB FS 262615 S4E0	C.46	1196690000	KTB FS 916120 S4E4	C.46
1193980000	KTB MOPL 4030 MSZN	C.26	1195060000	KTB MH 453820 S4E1	C.28	1195710000	KTB FS 262615 S4E1	C.46	1196700000	KTB FS 987420 S4E0	C.46
1193990000	KTB MOPL 4538 MSZN	C.27	1195070000	KTB MH 453820 S4E2	C.14	1195720000	KTB FS 262615 S4E2	C.46	1196710000	KTB FS 987420 S4E1	C.46
1193990000	KTB MOPL 4538 MSZN	C.28	1195080000	KTB MH 453820 S4E3	C.14	1195730000	KTB FS 262615 S4E3	C.46	1196720000	KTB FS 987420 S4E2	C.46
1194000000	KTB MOPL 4848 MSZN	C.29	1195080000	KTB MH 453820 S4E3	C.28	1195740000	KTB FS 262615 S4E4	C.46	1196730000	KTB FS 987420 S4E3	C.46
1194000000	KTB MOPL 4848 MSZN	C.30	1195090000	KTB MH 453820 S4E4	C.14	1195750000	KTB FS 262620 S4E0	C.46	1196740000	KTB FS 987420 S4E4	C.46
1194010000	KTB MOPL 5535 MSZN	C.31	1195100000	KTB MH 484815 S4E0	C.14	1195760000	KTB FS 262620 S4E1	C.46	1198500000	KTB QL 221513 S4E0	C.44
1194010000	KTB MOPL 5535 MSZN	C.32	1195100000	KTB MH 484815 S4E0	C.29	1195770000	KTB FS 262620 S4E2	C.46	1198600000	KTB QL 221513 S4E1	C.44
1194020000	KTB MOPL 6245 MSZN	C.34	1195110000	KTB MH 484815 S4E1	C.14	1195780000	KTB FS 262620 S4E3	C.46	1198700000	KTB QL 221513 S4E2	C.44
1194020000	KTB MOPL 6245 MSZN	C.35	1195110000	KTB MH 484815 S4E1	C.29	1195790000	KTB FS 262620 S4E4	C.46	1198800000	KTB QL 221513 S4E3	C.44
1194030000	KTB MOPL 7650 MSZN	C.37	1195120000	KTB MH 484815 S4E2	C.14	1195800000	KTB FS 303015 S4E0	C.46	1198900000	KTB QL 221513 S4E4	C.44
1194030000	KTB MOPL 7650 MSZN	C.38	1195130000	KTB MH 484815 S4E3	C.14	1195810000	KTB FS 303015 S4E1	C.46	1199000000	KTB QL 262615 S4E0	C.44
1194040000	KTB MOPL 9161 MSZN	C.40	1195130000	KTB MH 484815 S4E3	C.29	1195820000	KTB FS 303015 S4E2	C.46	1199100000	KTB QL 262615 S4E1	C.44
1194040000	KTB MOPL 9161 MSZN	C.41	1195140000	KTB MH 484815 S4E4	C.14	1195830000	KTB FS 303015 S4E3	C.46	1199200000	KTB QL 262615 S4E2	C.44
1194050000	KTB MOPL 9874 MSZN	C.42	1195150000	KTB MH 484820 S4E0	C.14	1195840000	KTB FS 303015 S4E4	C.46	1199300000	KTB QL 262615 S4E3	C.44
1194550000	KTB MH 221513 S4E0	C.18	1195150000	KTB MH 484820 S4E0	C.30	1195850000	KTB FS 303020 S4E0	C.46	1199400000	KTB QL 262615 S4E4	C.44
1194550000	KTB MH 221513 S4E1	C.14	1195160000	KTB MH 484820 S4E1	C.14	1195860000	KTB FS 303020 S4E1	C.46	1199500000	KTB QL 262620 S4E0	C.44
1194560000	KTB MH 221513 S4E1	C.14	1195160000	KTB MH 484820 S4E1	C.30	1195870000	KTB FS 303020 S4E2	C.46	1199600000	KTB QL 262620 S4E1	C.44
1194560000	KTB MH 221513 S4E1	C.18	1195170000	KTB MH 484820 S4E2	C.14	1195880000	KTB FS 303020 S4E3	C.46	1199700000	KTB QL 262620 S4E2	C.44
1194560000	KTB										

Order No.	Type	Page
1200230000	KTBL QL 403015 S4E1	C.44
1200240000	KTBL QL 403015 S4E2	C.44
1200250000	KTBL QL 403015 S4E3	C.44
1200260000	KTBL QL 403015 S4E4	C.44
1200270000	KTBL QL 403020 S4E0	C.44
1200280000	KTBL QL 403020 S4E1	C.44
1200290000	KTBL QL 403020 S4E2	C.44
1200310000	KTBL QL 403020 S4E3	C.44
1200320000	KTBL QL 403020 S4E4	C.44
1200330000	KTBL QL 453815 S4E0	C.44
1200340000	KTBL QL 453815 S4E1	C.44
1200350000	KTBL QL 453815 S4E2	C.44
1200360000	KTBL QL 453815 S4E3	C.44
1200370000	KTBL QL 453815 S4E4	C.44
1200380000	KTBL QL 453820 S4E0	C.44
1200390000	KTBL QL 453820 S4E1	C.44
1200410000	KTBL QL 453820 S4E2	C.44
1200420000	KTBL QL 453820 S4E3	C.44
1200430000	KTBL QL 453820 S4E4	C.44
1200440000	KTBL QL 484815 S4E0	C.44
1200450000	KTBL QL 484815 S4E1	C.44
1200460000	KTBL QL 484815 S4E2	C.44
1200470000	KTBL QL 484815 S4E3	C.44
1200480000	KTBL QL 484815 S4E4	C.44
1200490000	KTBL QL 484820 S4E0	C.44
1200510000	KTBL QL 484820 S4E1	C.44
1200520000	KTBL QL 484820 S4E2	C.44
1200530000	KTBL QL 484820 S4E3	C.44
1200540000	KTBL QL 484820 S4E4	C.44
1200550000	KTBL QL 553515 S4E0	C.44
1200560000	KTBL QL 553515 S4E1	C.44
1200570000	KTBL QL 553515 S4E2	C.44
1200580000	KTBL QL 553515 S4E3	C.44
1200590000	KTBL QL 553515 S4E4	C.44
1200610000	KTBL QL 553520 S4E0	C.44
1200620000	KTBL QL 553520 S4E1	C.44
1200630000	KTBL QL 553520 S4E2	C.44
1200640000	KTBL QL 553520 S4E3	C.44
1200650000	KTBL QL 553520 S4E4	C.44
1200660000	KTBL QL 624515 S4E0	C.44
1200670000	KTBL QL 624515 S4E1	C.44
1200680000	KTBL QL 624515 S4E2	C.44
1200690000	KTBL QL 624515 S4E3	C.44
1200710000	KTBL QL 624515 S4E4	C.44
1200720000	KTBL QL 624520 S4E0	C.44
1200730000	KTBL QL 624520 S4E1	C.44
1200740000	KTBL QL 624520 S4E2	C.44
1200750000	KTBL QL 624520 S4E3	C.44
1200760000	KTBL QL 624520 S4E4	C.44
1200770000	KTBL QL 765015 S4E0	C.44
1200780000	KTBL QL 765015 S4E1	C.44
1200790000	KTBL QL 765015 S4E2	C.44
1200810000	KTBL QL 765015 S4E3	C.44
1200820000	KTBL QL 765015 S4E4	C.44
1200830000	KTBL QL 765020 S4E0	C.44
1200840000	KTBL QL 765020 S4E1	C.44
1200850000	KTBL QL 765020 S4E2	C.44
1200860000	KTBL QL 765020 S4E3	C.44
1200870000	KTBL QL 765020 S4E4	C.44
1200880000	KTBL QL 916115 S4E0	C.44
1200890000	KTBL QL 916115 S4E1	C.44
1200910000	KTBL QL 916115 S4E2	C.44
1200920000	KTBL QL 916115 S4E3	C.44
1200930000	KTBL QL 916115 S4E4	C.44
1200940000	KTBL QL 916120 S4E0	C.44
1200950000	KTBL QL 916120 S4E1	C.44
1200960000	KTBL QL 916120 S4E2	C.44
1200970000	KTBL QL 916120 S4E3	C.44
1200980000	KTBL QL 916120 S4E4	C.44
1200990000	KTBL QL 987420 S4E0	C.44
1201010000	KTBL QL 987420 S4E1	C.44
1201020000	KTBL QL 987420 S4E2	C.44
1201030000	KTBL QL 987420 S4E3	C.44
1201040000	KTBL QL 987420 S4E4	C.44
1205070000	A2LC/40/M40-NPT1-1/2F-WM	D.24
1205080000	A2LC/16/M16-M20F-WM	D.24
1205090000	A2LC/20S/M20-M20F-WM	D.24
1205110000	A2LC/20/M20-M20F-WM	D.24
1205120000	A2LC/25/M25-M25F-WM	D.24
1205130000	A2LC/32/M32-M32F-WM	D.24
1205140000	A2LC/40/M40-M40F-WM	D.24
1205150000	A2LC/50S/M50-M50F-WM	D.24
1205160000	A2LC/50/M50-M50F-WM	D.24
1205170000	A2LC/63S/M63-M63F-WM	D.24
1205180000	A2LC/63/M63-M63F-WM	D.24
1205190000	A2LC/16/M16-NPT1-1/2F-WM	D.24
1205220000	A2LC/20/M20-NPT1-1/2F-WM	D.24
1205230000	A2LC/25/M25-NPT3/4F-WM	D.24
1205240000	A2LC/32/M32-NPT1F-WM	D.24
1205250000	A2LC/50/M50-NPT2F-WM	D.24
1205260000	A2LC/63S/M63-NPT2F-WM	D.24
1205270000	A2LC/16/M16-NPT3/4F-WM	D.24
1205280000	A2LC/20S/M20-NPT3/4F-WM	D.24
1205290000	A2LC/20/M20-NPT3/4F-WM	D.24
1205310000	A2LC/25/M25-NPT1F-WM	D.24
1205320000	A2LC/50S/M50-NPT2F-WM	D.24
1205330000	A2LC/16/NPT1-1/2-M20F-WM	D.25

Order No.	Type	Page
1205340000	A2LC/20S/NPT1-1/2-M20F-WM	D.25
1205350000	A2LC/20/NPT1-1/2-M20F-WM	D.25
1205360000	A2LC/25/NPT3/4-M25F-WM	D.25
1205370000	A2LC/32/NPT1-1/2-M2F-WM	D.25
1205380000	A2LC/50/NPT2-M50F-WM	D.25
1205390000	A2LC/63S/NPT2-M63F-WM	D.25
1205410000	A2LC/32/NPT1-NPT1F-WM	D.26
1205420000	A2LC/50/NPT2-NPT2F-WM	D.26
1205430000	A2LC/63S/NPT2-NPT2F-WM	D.26
1205440000	A2LC/25/NPT3/4-NPT1F-WM	D.26
1205450000	A2LC/16/NPT1/2-M20F-WM	D.25
1205460000	A2LC/20S/NPT3/4-M20F-WM	D.25
1205470000	A2LC/20/NPT3/4-M20F-WM	D.25
1205480000	A2LC/25/NPT1-M25F-WM	D.25
1205490000	A2LC/50S/NPT2-M50F-WM	D.25
1205510000	A2LC/25/NPT3/4F-WM	D.26
1205520000	A2LC/25/NPT1-NPT1F-WM	D.26
1205530000	A2LC/50S/NPT2-NPT2F-WM	D.26
1205550000	A2LC/40/M40-NPT1-1/4F	D.24
1205560000	A2LC/50S/M50-NPT1-1/2F	D.24
1205570000	A2LC/63/M63-NPT2-1/2F	D.24
1205580000	A2LC/32/M32-NPT1-1/4F	D.24
1205590000	A2LC/63S/M63-NPT2-1/2F	D.24
1205610000	A2LC/40/NPT1-1/4-M40F	D.25
1205620000	A2LC/50S/NPT1-1/2-M50F	D.25
1205630000	A2LC/63/NPT1-1/2-M63F	D.25
1205640000	A2LC/16/NPT1/2-NPT1/2F	D.26
1205660000	A2LC/20S/NPT1/2-NPT1/2F	D.26
1205670000	A2LC/20/NPT1-1/2-NPT1/2F	D.26
1205680000	A2LC/25/NPT3/4-NPT3/4F	D.26
1205690000	VGM40/1-M568 20-32 BG	D.9
1205920000	VGM40/1-SS88 20-32 BG	D.14
1205960000	A2LC/20S/NPT1-1/2-NPT3/4F	D.26
1206280000	A2LC/50S/NPT1-1/2-NPT1	D.26
1206290000	A2LC/63/NPT2-1/2-NPT2	D.26
1206310000	A2LC/16/NPT1-1/2-NPT3/4F	D.26
1206320000	A2LC/20/NPT1-1/2-NPT3/4F	D.26
1206330000	A2LC/32/NPT1-NPT1-1/4F	D.26
1206360000	A2LC/40/NPT1-1/4-NPT1	D.26
1206370000	A2LC/63S/NPT2-1/2-NPT2	D.26
1206380000	A2LC/50S/NPT1-1/2-NPT2F	D.26
1206390000	A2LC/32/NPT1-1/4-M32F	D.25
1206540000	A2LC/20/NPT3/4-NPT3/4F	D.26
1206550000	A2LC/20S/NPT3/4-NPT3/4F	D.26
1206560000	A2LC/16/NPT3/4-NPT3/4F	D.26
1206570000	A2LC/63S/NPT2-1/2-NPT2F	D.26
1206580000	A2LC/50S/NPT2-NPT1-1/2F	D.26
1206590000	A2LC/40/NPT1-1/2-NPT1	D.26
1206600000	A2LC/32/NPT1-1/4-NPT1F	D.26
1206630000	A2LC/32/NPT1-1/4-NPT1-1	D.26
1206640000	A2LC/40/NPT1-1/2-NPT1-1	D.26
1206650000	A2LC/63S/NPT2-1/2-NPT2	D.26
1206660000	A2LC/20/NPT3/4-NPT1/2F	D.26
1206670000	A2LC/20S/NPT3/4-NPT1/2F	D.26
1206680000	A2LC/16/NPT3/4-NPT1/2F	D.26
1206690000	A2LC/63S/NPT2-1/2-M63F	D.25
1206710000	A2LC/40/NPT1-1/2-M40F	D.25

### 121000000

1218940000	VP-HEX M16-EX W	C.50
1218940000	VP-HEX M16-EX W	D.47
1218950000	VP-HEX M20-EX W	C.128
1218950000	VP-HEX M20-EX W	C.129
1218950000	VP-HEX M20-EX W	C.50
1218950000	VP-HEX M20-EX W	C.51
1218950000	VP-HEX M20-EX W	C.52
1218950000	VP-HEX M25-EX W	D.130
1218960000	VP-HEX M25-EX W	D.137
1218960000	VP-HEX M25-EX W	D.52
1218960000	VP-HEX M25-EX W	C.47
1218970000	VP-HEX M32-EX W	D.51
1218970000	VP-HEX M32-EX W	C.47
1218980000	VP-HEX M40-EX W	C.52
1218980000	VP-HEX M40-EX W	D.47
1218990000	VP-HEX M50-EX W	D.47
1219010000	VP-HEX M63-EX W	D.47
1219020000	VPS-HEX M16-EX W	D.47
1219030000	VPS-HEX M20-EX W	D.47
1219040000	VPS-HEX M25-EX W	D.47
1219050000	VPS-HEX M32-EX W	D.47
1219060000	VPS-HEX M40-EX W	D.47
1219070000	VPS-HEX M50-EX W	D.47
1219080000	VPS-HEX M63-EX W	D.47

### 125000000

1252190000	TPSD FIXING SET KTB	C.18
1252190000	TPSD FIXING SET KTB	C.19
1252190000	TPSD FIXING SET KTB	C.32
1252190000	TPSD FIXING SET KTB	C.34
1252190000	TPSD FIXING SET KTB	C.35
1252190000	TPSD FIXING SET KTB	C.36
1252190000	TPSD FIXING SET KTB	C.37
1252190000	TPSD FIXING SET KTB	C.38
1252190000	TPSD FIXING SET KTB	C.39
1252190000	TPSD FIXING SET KTB	C.40
1252190000	TPSD FIXING SET KTB	C.41
1252190000	TPSD FIXING SET KTB	C.42
1252190000	TPSD FIXING SET KTB	C.43
1252190000	TPSD FIXING SET KTB	C.44
1252190000	TPSD FIXING SET KTB	C.45
1252190000	TPSD FIXING SET KTB	C.46
1252190000	TPSD FIXING SET KTB	C.47
1252190000	TPSD FIXING SET KTB	C.48
1252190000	TPSD FIXING SET KTB	C.49

Order No.	Type	Page
1252190000	TPSD FIXING SET KTB	C.30
1252190000	TPSD FIXING SET KTB	C.31
1252190000	TPSD FIXING SET KTB	C.32
1252190000	TPSD FIXING SET KTB	C.33
1252190000	TPSD FIXING SET KTB	C.34
1252190000	TPSD FIXING SET KTB	C.35
1252190000	TPSD FIXING SET KTB	C.36
1252190000	TPSD FIXING SET KTB	C.37
1252190000	TPSD FIXING SET KTB	C.38
1252190000	TPSD FIXING SET KTB	C.39
1252190000	TPSD FIXING SET KTB	C.40
1252190000	TPSD FIXING SET KTB	C.41
1252190000	TPSD FIXING SET KTB	C.42
1252190000	TPSD FIXING SET KTB	C.43
1252190000	TPSD FIXING SET KTB	C.44
1252190000	TPSD FIXING SET KTB	C.45
1252190000	TPSD FIXING SET KTB	C.46
1252190000	TPSD FIXING SET KTB	C.47
1252190000	TPSD FIXING SET KTB	C.48
1252190000	TPSD FIXING SET KTB	C.49
1252190000	TPSD FIXING SET KTB	C.50
1252190000	TPSD FIXING SET KTB	C.51
1252190000	TPSD FIXING SET KTB	C.52
1252190000	TPSD FIXING SET KTB	C.53
1252190000	TPSD FIXING SET KTB	C.54
1252190000	TPSD FIXING SET KTB	C.55
1252190000	TPSD FIXING SET KTB	C.56
1252190000	TPSD FIXING SET KTB	C.57
1252190000	TPSD FIXING SET KTB	C.58
1252190000	TPSD FIXING SET KTB	C.59
1252190000	TPSD FIXING SET KTB	C.60
1252190000	TPSD FIXING SET KTB	C.61
1252190000	TPSD FIXING SET KTB	C.62
1252190000	TPSD FIXING SET KTB	C.63
1252190000	TPSD FIXING SET KTB	C.64
1252190000	TPSD FIXING SET KTB	C.65
1252190000	TPSD FIXING SET KTB	C.66
1252190000	TPSD FIXING SET KTB	C.67
1252190000	TPSD FIXING SET KTB	C.68
1252190000	TPSD FIXING SET KTB	C.69
1252190000	TPSD FIXING SET KTB	C.70
1252190000	TPSD FIXING SET KTB	C.71
1252190000	TPSD FIXING SET KTB	C.72
1252190000	TPSD FIXING SET KTB	C.73
1252190000	TPSD FIXING SET KTB	C.74
1252190000	TPSD FIXING SET KTB	C.75
1252190000	TPSD FIXING SET KTB	C.76
1252190000	TPSD FIXING SET KTB	C.77
1252190000	TPSD FIXING SET KTB	C.78
1252190000	TPSD FIXING SET KTB	C.79
1252190000	TPSD FIXING SET KTB	C.80
1252190000	TPSD FIXING SET KTB	C.81
1252190000	TPSD FIXING SET KTB	C.82
1252190000	TPSD FIXING SET KTB	C.83
1252190000	TPSD FIXING SET KTB	C.84
1252190000	TPSD FIXING SET KTB	C.85
1252190000	TPSD FIXING SET KTB	C.86
1252190000	TPSD FIXING SET KTB	C.87
1252190000	TPSD FIXING SET KTB	C.88
1252190000	TPSD FIXING SET KTB	C.89
1252190000	TPSD FIXING SET KTB	C.90
1252190000	TPSD FIXING SET KTB	C.91
1252190000	TPSD FIXING SET KTB	C.92
1252190000	TPSD FIXING SET KTB	C.93
1252190000	TPSD FIXING SET KTB	C.94
1252190000	TPSD FIXING SET KTB	C.95
1252190000	TPSD FIXING SET KTB	C.96
1252190000	TPSD FIXING SET KTB	C.97
1252190000		





Order No.	Type	Page
1283430000	PEBZ M6 S4 SET	C.251
1283430000	PEBZ M6 S4 SET	C.252
1283430000	PEBZ M6 S4 SET	C.252
1283430000	PEBZ M6 S4 SET	C.253
1283430000	PEBZ M6 S4 SET	C.253
1283440000	PEBZ M10 S4 SET	C.162
1283440000	PEBZ M10 S4 SET	C.163
1283440000	PEBZ M10 S4 SET	C.164
1283440000	PEBZ M10 S4 SET	C.165
1283440000	PEBZ M10 S4 SET	C.166
1283440000	PEBZ M10 S4 SET	C.167
1283440000	PEBZ M10 S4 SET	C.168
1283440000	PEBZ M10 S4 SET	C.169
1283440000	PEBZ M10 S4 SET	C.170
1283440000	PEBZ M10 S4 SET	C.188
1283440000	PEBZ M10 S4 SET	C.189
1283440000	PEBZ M10 S4 SET	C.190
1283440000	PEBZ M10 S4 SET	C.191
1283440000	PEBZ M10 S4 SET	C.192
1283440000	PEBZ M10 S4 SET	C.193
1283440000	PEBZ M10 S4 SET	C.194
1283440000	PEBZ M10 S4 SET	C.195
1283440000	PEBZ M10 S4 SET	C.196
1283440000	PEBZ M10 S4 SET	C.197
1283440000	PEBZ M10 S4 SET	C.198
1283440000	PEBZ M10 S4 SET	C.199
1283440000	PEBZ M10 S4 SET	C.200
1283440000	PEBZ M10 S4 SET	C.201
1283440000	PEBZ M10 S4 SET	C.202
1283440000	PEBZ M10 S4 SET	C.203
1283440000	PEBZ M10 S4 SET	C.204
1283440000	PEBZ M10 S4 SET	C.232
1283440000	PEBZ M10 S4 SET	C.232
1283440000	PEBZ M10 S4 SET	C.233
1283440000	PEBZ M10 S4 SET	C.233
1283440000	PEBZ M10 S4 SET	C.234
1283440000	PEBZ M10 S4 SET	C.234
1283440000	PEBZ M10 S4 SET	C.235
1283440000	PEBZ M10 S4 SET	C.236
1283440000	PEBZ M10 S4 SET	C.236
1283440000	PEBZ M10 S4 SET	C.240
1283440000	PEBZ M10 S4 SET	C.240
1283440000	PEBZ M10 S4 SET	C.241
1283440000	PEBZ M10 S4 SET	C.241
1283440000	PEBZ M10 S4 SET	C.242
1283440000	PEBZ M10 S4 SET	C.242
1283440000	PEBZ M10 S4 SET	C.243
1283440000	PEBZ M10 S4 SET	C.244
1283440000	PEBZ M10 S4 SET	C.244
1283440000	PEBZ M10 S4 SET	C.245
1283440000	PEBZ M10 S4 SET	C.245
1283440000	PEBZ M10 S4 SET	C.246
1283440000	PEBZ M10 S4 SET	C.246
1283440000	PEBZ M10 S4 SET	C.247
1283440000	PEBZ M10 S4 SET	C.247
1283440000	PEBZ M10 S4 SET	C.248
1283440000	PEBZ M10 S4 SET	C.251
1283440000	PEBZ M10 S4 SET	C.251
1283440000	PEBZ M10 S4 SET	C.252
1283440000	PEBZ M10 S4 SET	C.252
1283440000	PEBZ M10 S4 SET	C.253
1283440000	PEBZ M10 S4 SET	C.253
1283450000	TPSDHA KTB 130X50 S2 R	C.159
1283450000	TPSDHA KTB 130X50 S2 R	C.20
1283450000	TPSDHA KTB 130X50 S2 R	C.21
1283450000	TPSDHA KTB 130X50 S2 R	C.22
1283450000	TPSDHA KTB 130X50 S2 R	C.23
1283450000	TPSDHA KTB 130X50 S2 R	C.24
1283450000	TPSDHA KTB 130X50 S2 R	C.25
1283450000	TPSDHA KTB 130X50 S2 R	C.26
1283450000	TPSDHA KTB 130X50 S2 R	C.27
1283450000	TPSDHA KTB 130X50 S2 R	C.28
1283450000	TPSDHA KTB 130X50 S2 R	C.30
1283450000	TPSDHA KTB 130X50 S2 R	C.31
1283450000	TPSDHA KTB 130X50 S2 R	C.32
1283450000	TPSDHA KTB 130X50 S2 R	C.33
1283450000	TPSDHA KTB 130X50 S2 R	C.34
1283450000	TPSDHA KTB 130X50 S2 R	C.35
1283450000	TPSDHA KTB 130X50 S2 R	C.36
1283450000	TPSDHA KTB 130X50 S2 R	C.37
1283450000	TPSDHA KTB 130X50 S2 R	C.38
1283450000	TPSDHA KTB 130X50 S2 R	C.39
1283450000	TPSDHA KTB 130X50 S2 R	C.41
1283450000	TPSDHA KTB 130X50 S2 R	C.42
1283450000	TPSDHA KTB 130X50 S2 R	C.51
1283450000	TPSDHA KTB 130X50 S2 R	C.52
1285200000	SD FIXING SET	C.18
1285200000	SD FIXING SET	C.19
1285200000	SD FIXING SET	C.20
1285200000	SD FIXING SET	C.20
1285200000	SD FIXING SET	C.22
1285200000	SD FIXING SET	C.23
1285200000	SD FIXING SET	C.24
1285200000	SD FIXING SET	C.25
1285200000	SD FIXING SET	C.26
1285200000	SD FIXING SET	C.27

Order No.	Type	Page
1285200000	SD FIXING SET	C.28
1285200000	SD FIXING SET	C.29
1285200000	SD FIXING SET	C.30
1285200000	SD FIXING SET	C.31
1285200000	SD FIXING SET	C.32
1285200000	SD FIXING SET	C.33
1285200000	SD FIXING SET	C.34
1285200000	SD FIXING SET	C.35
1285200000	SD FIXING SET	C.36
1285200000	SD FIXING SET	C.37
1285200000	SD FIXING SET	C.38
1285200000	SD FIXING SET	C.39
1285200000	SD FIXING SET	C.40
1285200000	SD FIXING SET	C.41
1285200000	SD FIXING SET	C.42
1289180000	KEBI-KTBI MF S2 SET	C.102
1289180000	KEBI-KTBI MF S2 SET	C.103
1289180000	KEBI-KTBI MF S2 SET	C.104
1289180000	KEBI-KTBI MF S2 SET	C.105
1289180000	KEBI-KTBI MF S2 SET	C.106
1289180000	KEBI-KTBI MF S2 SET	C.107
1289180000	KEBI-KTBI MF S2 SET	C.108
1289180000	KEBI-KTBI MF S2 SET	C.109
1289180000	KEBI-KTBI MF S2 SET	C.110
1289180000	KEBI-KTBI MF S2 SET	C.111
1289180000	KEBI-KTBI MF S2 SET	C.112

Order No.	Type	Page
1305810000	KLIPPPON POK 080806	C.186
1305810000	KLIPPPON POK 080806	C.188
1305810000	KLIPPPON POK 080806	C.206
1305820000	KLIPPPON POK 081106	C.186
1305820000	KLIPPPON POK 081106	C.189
1305820000	KLIPPPON POK 081106	C.206
1305830000	KLIPPPON POK 081606	C.186
1305830000	KLIPPPON POK 081606	C.190
1305830000	KLIPPPON POK 081606	C.206
1305840000	KLIPPPON POK 081906	C.186
1305840000	KLIPPPON POK 081906	C.191
1305850000	KLIPPPON POK 082306	C.186
1305850000	KLIPPPON POK 082306	C.192
1305870000	KLIPPPON POK 121209	C.186
1305870000	KLIPPPON POK 121209	C.193
1305870000	KLIPPPON POK 121209	C.206
1305880000	KLIPPPON POK 122209	C.186
1305880000	KLIPPPON POK 122209	C.194
1305890000	KLIPPPON POK 161609	C.186
1305890000	KLIPPPON POK 161609	C.195
1305890000	KLIPPPON POK 161609	C.206
1305900000	KLIPPPON POK 162609	C.186
1305900000	KLIPPPON POK 162609	C.196
1305910000	KLIPPPON POK 163609	C.186
1305910000	KLIPPPON POK 163609	C.197
1305920000	KLIPPPON POK 165609	C.186
1305920000	KLIPPPON POK 165609	C.198
1305930000	KLIPPPON POK 252512	C.186
1305930000	KLIPPPON POK 252512	C.199
1305930000	KLIPPPON POK 252512	C.226
1305930000	KLIPPPON POK 252512	C.227
1305930000	KLIPPPON POK 252512	C.228
1305930000	KLIPPPON POK 252512	C.229
1305940000	KLIPPPON POK 254012	C.186
1305940000	KLIPPPON POK 254012	C.201
1305950000	KLIPPPON POK 256012	C.203
1305970000	KLIPPPON POK 404012	C.186
1305970000	KLIPPPON POK 404012	C.204
1305980000	KLIPPPON POK 252516	C.186
1305980000	KLIPPPON POK 252516	C.200
1305990000	KLIPPPON POK 254016	C.186
1305990000	KLIPPPON POK 254016	C.202
1306000000	KLIPPPON POK 080806 EX	C.186
1306000000	KLIPPPON POK 080806 EX	C.188
1306010000	KLIPPPON POK 081106 EX	C.186
1306010000	KLIPPPON POK 081106 EX	C.189
1306020000	KLIPPPON POK 081606 EX	C.186
1306020000	KLIPPPON POK 081606 EX	C.190
1306030000	KLIPPPON POK 081906 EX	C.186
1306030000	KLIPPPON POK 081906 EX	C.191
1306040000	KLIPPPON POK 082306 EX	C.186
1306040000	KLIPPPON POK 082306 EX	C.192
1306050000	KLIPPPON POK 121209 EX	C.186
1306050000	KLIPPPON POK 121209 EX	C.193
1306070000	KLIPPPON POK 122209 EX	C.186
1306070000	KLIPPPON POK 122209 EX	C.194
1306080000	KLIPPPON POK 161609 EX	C.186
1306080000	KLIPPPON POK 161609 EX	C.195
1306090000	KLIPPPON POK 162609 EX	C.186
1306090000	KLIPPPON POK 162609 EX	C.196
1306100000	KLIPPPON POK 163609 EX	C.186
1306100000	KLIPPPON POK 163609 EX	C.197
1306110000	KLIPPPON POK 165609 EX	C.186
1306110000	KLIPPPON POK 165609 EX	C.198
1306120000	KLIPPPON POK 252512 EX	C.186
1306120000	KLIPPPON POK 252512 EX	C.199
1306130000	KLIPPPON POK 254012 EX	C.186
1306130000	KLIPPPON POK 254012 EX	C.201
1306140000	KLIPPPON POK 256012 EX	C.186

Order No.	Type	Page
1306140000	KLIPPPON POK 256012 EX	C.203
1306150000	KLIPPPON POK 404012 EX	C.186
1306150000	KLIPPPON POK 404012 EX	C.204
1306170000	KLIPPPON POK 252516 EX	C.186
1306170000	KLIPPPON POK 252516 EX	C.200
1306180000	KLIPPPON POK 254016 EX	C.186
1306180000	KLIPPPON POK 254016 EX	C.202
1309690000	KEBI-KTBI MOPL 3020 MSZN	C.102
1309700000	KEBI-KTBI MOPL 3020 S2N	C.102

Order No.	Type	Page
1310320000	KEBI-KTBI MOPL 3030 S2N	C.103
1310320000	KEBI-KTBI MOPL 3030 S2N	C.104
1310330000	KEBI-KTBI MOPL 4030 S2N	C.105
1310330000	KEBI-KTBI MOPL 4030 S2N	C.106
1310340000	KEBI-KTBI MOPL 4040 S2N	C.107
1310350000	KEBI-KTBI MOPL 5040 S2N	C.108
1310360000	KEBI-KTBI MOPL 5050 S2N	C.109
1310370000	KEBI-KTBI MOPL 6040 S2N	C.110
1310380000	KEBI-KTBI MOPL 6060 S2N	C.111
1310390000	KEBI-KTBI MOPL 8060 S2N	C.112
1310410000	KEBI-KTBI MOPL 3030 MSZN	C.103
1310410000	KEBI-KTBI MOPL 3030 MSZN	C.104
1310420000	KEBI-KTBI MOPL 4030 MSZN	C.105
1310420000	KEBI-KTBI MOPL 4030 MSZN	C.106
1310430000	KEBI-KTBI MOPL 4040 MSZN	C.107
1310440000	KEBI-KTBI MOPL 5040 MSZN	C.108
1310450000	KEBI-KTBI MOPL 5050 MSZN	C.109
1310460000	KEBI-KTBI MOPL 6040 MSZN	C.110
1310470000	KEBI-KTBI MOPL 6060 MSZN	C.111
1310480000	KEBI-KTBI MOPL 8060 MSZN	C.112
1314090000	KTBNH 221513 S4E R	C.118
1314100000	KTBNH 262615 S4E R	C.19
1314110000	KTBNH 282620 S4E R	C.20
1314120000	KTBNH 303015 S4E R	C.21
1314130000	KTBNH 303020 S4E R	C.22
1314140000	KTBNH 352615 S4E R	C.23
1314150000	KTBNH 352620 S4E R	C.24
1314170000	KTBNH 403015 S4E R	C.25
1314180000	KTBNH 403020 S4E R	C.26
1314190000	KTBNH 453815 S4E R	C.27
1314200000	KTBNH 453820 S4E R	C.28
1314220000	KTBNH 484815 S4E R	C.29
1314230000	KTBNH 484820 S4E R	C.30
1314240000	KTBNH 553515 S4E R	C.31
1314250000	KTBNH 553520 S4E R	C.32
1314270000	KTBNH 624515 S4E R	C.34
1314280000	KTBNH 624520 S4E R	C.35
1314290000	KTBNH 765015 S4E R	C.37
1314300000	KTBNH 765020 S4E R	C.38
1314320000	KTBNH 916115 S4E R	C.40
1314330000	KTBNH 916120 S4E R	C.41
1314340000	KTBNH 987420 S4E R	C.42

Order No.	Type	Page
1328120000	KLIPPPON K21 EX RAL7001	C.150
1328130000	KLIPPPON K51 EX RAL7001	C.150
1328140000	KLIPPPON K61 EX RAL7001	C.150
1329630000	KLIPPPON K1 EX RAL7001	C.150
1329640000	KLIPPPON K11 EX RAL7001	C.150
1329650000	KLIPPPON K2 EX RAL7001	C.150
1329670000	KLIPPPON K3 EX RAL7001	C.150
1329680000	KLIPPPON K31 EX RAL7001	C.150
1329690000	KLIPPPON K32 EX RAL7001	C.150
1329700000	KLIPPPON K4 EX RAL7001	C.150
1329710000	KLIPPPON K41 EX RAL7001	C.150
1329720000	KLIPPPON K5 EX RAL7001	C.150
1329730000	KLIPPPON K52 EX RAL7001	C.150
1329740000	KLIPPPON K6 EX RAL7001	C.150
1329750000	KLIPPPON K7 EX RAL7001	C.150
1329770000	KLIPPPON K71 EX RAL7001	C.150

Order No.	Type	Page
1390910000	KLIPPPON CDPL 080806	C.188
1390920000	KLIPPPON CDPL 081106	C.189
1390930000	KLIPPPON CDPL 081606	C.190
1390940000	KLIPPPON CDPL 081906	C.191
1390950000		

Order No.	Type	Page
1567480000	FKSC M4X6 D8/SW2	C.241
1567480000	FKSC M4X6 D8/SW2	C.242
1567480000	FKSC M4X6 D8/SW2	C.242
1567480000	FKSC M4X6 D8/SW2	C.243
1567480000	FKSC M4X6 D8/SW2	C.243
1567480000	FKSC M4X6 D8/SW2	C.244
1567480000	FKSC M4X6 D8/SW2	C.244
1567480000	FKSC M4X6 D8/SW2	C.245
1567480000	FKSC M4X6 D8/SW2	C.245
1567480000	FKSC M4X6 D8/SW2	C.246
1567480000	FKSC M4X6 D8/SW2	C.246
1567480000	FKSC M4X6 D8/SW2	C.247
1567480000	FKSC M4X6 D8/SW2	C.247
1567480000	FKSC M4X6 D8/SW2	C.248
1567480000	FKSC M4X6 D8/SW2	C.251
1567480000	FKSC M4X6 D8/SW2	C.252
1567480000	FKSC M4X6 D8/SW2	C.253
1567660000	TS35X7,5 ST STB 2.1 STB 3	C.121
1567660000	TS35X7,5 ST STB 2.1 STB 3	C.122
1568970000	VG 7-K68	D.6
1568980000	VG 9-K68	D.6
1568990000	VG 11-K68	D.6
1569000000	VG 13.5-K68	D.6
1569010000	VG 16-K68	D.6
1569020000	VG 21-K68	D.6
1569030000	VG 29-K68	D.6
1569040000	VG 36-K68	D.6
1569050000	VG 42-K68	D.6
1569060000	VG 7-MS68	D.8
1569070000	VG 9-MS68	D.8
1569080000	VG 11-MS68	D.8
1569090000	VG 13.5-MS68	D.8
1569100000	VG 16-MS68	D.8
1569110000	VG 21-MS68	D.8
1569120000	VG 29-MS68	D.8
1569130000	VG 36-MS68	D.8
1569140000	VG 42-MS68	D.8

## 1580000000

Order No.	Type	Page
1580360000	HG K+POK	C.156
1580360000	HG K+POK	C.158
1580360000	HG K+POK	C.160
1580360000	HG K+POK	C.162
1580360000	HG K+POK	C.163
1580360000	HG K+POK	C.164
1580360000	HG K+POK	C.165
1580360000	HG K+POK	C.166
1580360000	HG K+POK	C.167
1580360000	HG K+POK	C.168
1580360000	HG K+POK	C.169
1580360000	HG K+POK	C.170

## 1650000000

Order No.	Type	Page
1656390000	KV 11-M	D.10
1656400000	KV 13-M	D.10
1656410000	KV 16-M	D.10
1656420000	KV 21-M	D.10
1656430000	KV 29-M	D.10

## 1690000000

Order No.	Type	Page
1694070000	SKMU PG7-MS	D.36
1694080000	SKMU PG9-MS	D.36
1694090000	SKMU PG11-MS	D.36
1694100000	SKMU PG13.5-MS	D.36
1694110000	SKMU PG16-MS	D.36
1694740000	SKMU PG7-K GR	D.34
1697450000	SKMU PG9-K GR	D.34
1697460000	SKMU PG11-K GR	D.34
1697470000	SKMU PG 13,5-K GR	D.34
1697480000	SKMU PG16-K GR	D.34
1698220000	SKMU PG21-K GR	D.34
1698230000	SKMU PG29-K GR	D.34
1698240000	SKMU PG36-K GR	D.34
1698250000	SKMU PG42-K GR	D.34

## 1710000000

Order No.	Type	Page
1718770000	VG 48-K68	D.6
1718790000	VG 48-MS68	D.8
1718900000	SKMU EMV PG7	D.38
1718910000	SKMU EMV PG9	D.38
1718920000	SKMU EMV PG11	D.38
1718930000	SKMU EMV PG13,5	D.38
1718940000	SKMU EMV PG16	D.38
1718950000	SKMU EMV PG21	D.38
1718960000	SKMU EMV PG29	D.38
1719090000	SKMU PG48-K GR	D.34
1719100000	SKMU PG7-K SW	D.35
1719110000	SKMU PG9-K SW	D.35
1719120000	SKMU PG11-K SW	D.35
1719130000	SKMU PG13,5-K SW	D.35
1719140000	SKMU PG16-K SW	D.35
1719150000	SKMU PG21-K SW	D.35
1719160000	SKMU PG29-K SW	D.35
1719170000	SKMU PG36-K SW	D.35
1719180000	SKMU PG42-K SW	D.35

Order No.	Type	Page
1719190000	SKMU PG48-K SW	D.35
1719200000	SKMU PG21-MS	D.36
1719210000	SKMU PG29-MS	D.36
1719220000	SKMU PG36-MS	D.36
1719230000	SKMU PG42-MS	D.36
1719240000	SKMU PG48-MS	D.36
1719250000	VP 7-K54	D.45
1719260000	VP 48-K54	D.45
1719270000	VP 48-MS65	D.46
1719440000	GWDR PG7-PO	D.40
1719450000	GWDR PG9-PO	D.40
1719460000	GWDR PG11-PO	D.40
1719470000	GWDR PG13,5-PO	D.40
1719480000	GWDR PG16-PO	D.40
1719490000	GWDR PG21-PO	D.40
1719500000	GWDR PG29-PO	D.40
1719510000	GWDR PG36-PO	D.40
1719520000	GWDR PG42-PO	D.40
1719530000	GWDR PG48-PO	D.40
1719540000	GWDR PG7-NP	D.41
1719550000	GWDR PG9-NP	D.41
1719560000	GWDR PG11-NP	D.41
1719570000	GWDR PG13,5-NP	D.41
1719580000	GWDR PG16-NP	D.41
1719590000	GWDR PG21-NP	D.41
1719600000	GWDR PG29-NP	D.41
1719610000	GWDR PG36-NP	D.41
1719620000	GWDR PG42-NP	D.41
1719630000	GWDR PG48-NP	D.41

## 1720000000

Order No.	Type	Page
1720470000	VG 7-K68 SKS	D.7
1720480000	VG 9-K68 SKS	D.7
1720490000	VG 11-K68 SKS	D.7
1720500000	VG 13.5-K68 SKS	D.7
1720510000	VG 16-K68 SKS	D.7
1720520000	VG 21-K68 SKS	D.7

## 1730000000

Order No.	Type	Page
1736230000	GWDR M16-NP	D.41
1736240000	GWDR M20-NP	D.41
1736250000	GWDR M25-NP	C.144
1736260000	GWDR M32-NP	C.146
1736270000	GWDR M36-NP	C.226
1736280000	GWDR M42-NP	C.228
1736290000	GWDR M48-NP	D.41
1736300000	GWDR M32-NP	C.145
1736310000	GWDR M32-NP	C.147
1736320000	GWDR M32-NP	C.227
1736330000	GWDR M32-NP	D.41
1736340000	GWDR M40-NP	D.41
1736350000	GWDR M50-NP	D.41
1736360000	GWDR M63-NP	D.41
1736370000	SZS M16	D.44
1736380000	SZS M20	D.44
1736390000	SZS M25	D.44
1736400000	SZS M32	D.44
1736410000	SZS M40	D.44
1736420000	SZS M50	D.44
1736430000	SZS M63	D.44
1736440000	EA-RING MS/M 16	D.43
1736450000	EA-RING MS/M 20	D.43
1736460000	EA-RING MS/M 25	D.43
1736470000	EA-RING MS/M 32	D.43
1736480000	EA-RING MS/M 40	D.43
1736490000	EA-RING MS/M 50	D.43
1736500000	EA-RING MS/M 63	D.43
1736510000	EA-RING MS/M 75	D.43
1736920000	SKMU M16 K SW	D.35
1736930000	SKMU M20 K SW	D.35
1736940000	SKMU M25 K SW	D.35
1736950000	SKMU M32 K SW	D.35
1736960000	SKMU M40 K SW	D.35
1736970000	SKMU M50 K SW	D.35
1736980000	SKMU M63 K SW	D.35
1736990000	SKMU M16 MS	C.50
1737000000	SKMU M16 MS	D.36
1737010000	SKMU M20 MS	C.128
1737020000	SKMU M20 MS	D.36
1737030000	SKMU M25 MS	C.50
1737040000	SKMU M32 MS	C.51
1737050000	SKMU M40 MS	C.52
1737060000	SKMU M50 MS	C.52
1737070000	SKMU M63 MS	C.52
1737080000	SKMU M75 MS	C.52

Order No.	Type	Page
1772200000	VG M12 - MS 68	D.8
1772210000	VG M16 - MS 68	D.8
1772220000	VG M20 - MS 68	D.8
1772230000	VG M25 - MS 68	D.8
1772240000	VG M32 - MS 68	D.8
1772250000	VG M40 - MS 68	D.8
1772260000	VG M50 - MS 68	D.8
1772270000	VG M63 - MS 68	D.8
1772280000	VG M12-1/K68	D.6
1772290000	VG M16 - K 68	D.6
1772300000	VG M20-1/K68	D.6
1772310000	VG M25 - K 68	D.6
1772320000	VG M32 - K 68	D.6
1772330000	VG M40 - K 68	D.6
1772340000	VG M50 - K 68	D.6
1772350000	VG M63-1/K68	D.6
1772360000	SKMU M12 MS	D.36
1772440000	SKMU M12 - K GR	D.34
1772450000	SKMU M16 - K GR	D.34
1772460000	SKMU M20 - K GR	D.34
1772470000	SKMU M25 - K GR	C.144
1772470000	SKMU M25 - K GR	C.146
1772470000	SKMU M25 - K GR	C.226
1772470000	SKMU M25 - K GR	C.228
1772470000	SKMU M25 - K GR	D.34
1772480000	SKMU M32 - K GR	C.145
1772480000	SKMU M32 - K GR	C.147
1772480000	SKMU M32 - K GR	C.227
1772480000	SKMU M32 - K GR	C.229
1772480000	SKMU M32 - K GR	D.34
1772490000	SKMU M40 - K GR	D.34
1772500000	SKMU M50 - K GR	D.34
1772510000	SKMU M63 - K GR	D.34
1776700000	VG M12-K68 SKS	D.7
1776710000	VG M16-K68 SKS	D.7
1776720000	VG M20-K68 SKS 10-14	D.7
1776730000	VG M25-K68 SKS	D.7
1776900000	VP M25 K54	D.45
1776910000	VP M20 K54	D.45
1776920000	VP M16 K54	D.45
1776930000	VP M12 K54	D.45
1776940000	VP M32 K54	D.45
1776950000	VP M40 K54	D.45
1776960000	VP M50 K54	D.45
1776970000	VP M63 K54	D.45
1777610000	SKMU EMV M12	D.38
1777620000	SKMU EMV M16	D.38
1777630000	SKMU EMV M20	D.38
1777640000	SKMU EMV M25	D.38
1777650000	SKMU EMV M32	D.38
1777660000	SKMU EMV M40	D.38
1777670000	SKMU EMV M50	D.38
1777680000	SKMU EMV M63	D.38
1777690000	SKMU EMV PG 48	D.38
1777710000	SKMU EMV PG 36	D.38
1777720000	VP M12-MS65	D.46
1777730000	VP M16-MS65	D.46
1777740000	VP M20-MS65	D.46
1777750000	VP M25-MS65	D.46
1777760000	VP M32-MS65	D.46
1777770000	VP M40-MS65	D.46
1777780000	VP M50-MS65	D.46
1777790000	VP M63-MS65	D.46
1777920000	GWDR M12-PO	D.40
1777930000	GWDR M16-PO	D.40
1777940000	GWDR M20-PO	D.40
1777950000	GWDR M25-PO	D.40
1777960000	GWDR M32-PO	D.40
1777970000	GWDR M40-PO	D.40
1777980000	GWDR M50-PO	D.40
1777990000	GWDR M63-PO	D.40
1778860000	VG M20-K68 SKS 6-12	D.7

## 1770000000

Order No.	Type	Page
1806540000	SKMU M12 K SW	D.35

## 1860000000

Order No.	Type	Page
1868550000	DAE M12 SS	C.102
1868550000	DAE M12 SS	C.103
1868550000	DAE M12 SS	C.104
1868550000	DAE M12 SS	C.105
1868550000	DAE M12 SS	C.106
1868550000	DAE M12 SS	C.107
1868550000	DAE M12 SS	C.108
1868550000	DAE M12 SS	C.109
1868550000	DAE M12 SS	C.110
1868550000	DAE M12 SS	C.111
1868550000	DAE M12 SS	C.112
1868550000	DAE M12 SS	C.112
1868550000	DAE M12 SS	C.113
1868550000	DAE M12 SS	C.114
1868550000	DAE M12 SS	C.119
1868550000	DAE M12 SS	C.120
1868550000	DAE M12 SS	C.121
1868550000	DAE M12 SS	C.121
1868550000	DAE M12 SS	C.122
1868550000	DAE M12 SS	C.123
1868550000	DAE M12 SS	C.124
1868550000	DAE M12 SS	C.124
1868550000	DAE M12 SS	C.125
1868550000	DAE M12 SS	C.126
1868550000	DAE M12 SS	C.127
1868550000	DAE M12 SS	C.128
1868550000	DAE M12 SS	C.129
1868550000	DAE M12 SS	C.129
1868550000	DAE M12 SS	C.130
1868550000	DAE M12 SS	C.131
1868550000	DAE M12 SS	C.132
1868550000	DAE M12 SS	C.133
1868550000	DAE M12 SS	C.134
1868550000		

Order No.	Type	Page
1868570000	DAE M12 PA LONG	C.161
1868570000	DAE M12 PA LONG	C.162
1868570000	DAE M12 PA LONG	C.163
1868570000	DAE M12 PA LONG	C.164
1868570000	DAE M12 PA LONG	C.165
1868570000	DAE M12 PA LONG	C.166
1868570000	DAE M12 PA LONG	C.167
1868570000	DAE M12 PA LONG	C.168
1868570000	DAE M12 PA LONG	C.169
1868570000	DAE M12 PA LONG	C.170
1868570000	DAE M12 PA LONG	C.178
1868570000	DAE M12 PA LONG	C.180
1868570000	DAE M12 PA LONG	C.189
1868570000	DAE M12 PA LONG	C.190
1868570000	DAE M12 PA LONG	C.191
1868570000	DAE M12 PA LONG	C.192
1868570000	DAE M12 PA LONG	C.193
1868570000	DAE M12 PA LONG	C.194
1868570000	DAE M12 PA LONG	C.195
1868570000	DAE M12 PA LONG	C.196
1868570000	DAE M12 PA LONG	C.197
1868570000	DAE M12 PA LONG	C.198
1868570000	DAE M12 PA LONG	C.199
1868570000	DAE M12 PA LONG	C.200
1868570000	DAE M12 PA LONG	C.201
1868570000	DAE M12 PA LONG	C.202
1868570000	DAE M12 PA LONG	C.203
1868570000	DAE M12 PA LONG	C.204
1868570000	DAE M12 PA LONG	C.232
1868570000	DAE M12 PA LONG	C.232
1868570000	DAE M12 PA LONG	C.233
1868570000	DAE M12 PA LONG	C.233
1868570000	DAE M12 PA LONG	C.234
1868570000	DAE M12 PA LONG	C.234
1868570000	DAE M12 PA LONG	C.235
1868570000	DAE M12 PA LONG	C.236
1868570000	DAE M12 PA LONG	C.236
1868570000	DAE M12 PA LONG	C.240
1868570000	DAE M12 PA LONG	C.240
1868570000	DAE M12 PA LONG	C.241
1868570000	DAE M12 PA LONG	C.241
1868570000	DAE M12 PA LONG	C.242
1868570000	DAE M12 PA LONG	C.242
1868570000	DAE M12 PA LONG	C.243
1868570000	DAE M12 PA LONG	C.243
1868570000	DAE M12 PA LONG	C.244
1868570000	DAE M12 PA LONG	C.244
1868570000	DAE M12 PA LONG	C.245
1868570000	DAE M12 PA LONG	C.245
1868570000	DAE M12 PA LONG	C.246
1868570000	DAE M12 PA LONG	C.246
1868570000	DAE M12 PA LONG	C.247
1868570000	DAE M12 PA LONG	C.247
1868570000	DAE M12 PA LONG	C.248
1868570000	DAE M12 PA LONG	C.248
1868570000	DAE M12 PA LONG	C.251
1868570000	DAE M12 PA LONG	C.251
1868570000	DAE M12 PA LONG	C.252
1868570000	DAE M12 PA LONG	C.252
1868570000	DAE M12 PA LONG	C.253
1868570000	DAE M12 PA LONG	C.253
1868570000	DAE M12 PA LONG	D.50

## 1890000000

1898210000	MOPL K3 N FE	C.159
------------	--------------	-------

## 1900000000

1905270000	MOPL K2 N FE	C.157
1905280000	MOPL K1 N FE	C.155
1909710000	VG M25-K67	C.144
1909710000	VG M25-K67	C.146
1909710000	VG M25-K67	C.226
1909710000	VG M25-K67	C.228
1909720000	VG M32-K67	C.145
1909720000	VG M32-K67	C.147
1909720000	VG M32-K67	C.227
1909720000	VG M32-K67	C.229
1909860000	VG M16-1/K68	D.6
1909870000	VG M25-1/K68	D.6
1909880000	VG M32-1/K68	D.6
1909890000	VG M40-1/K68	D.6
1909910000	VG M16-1/MS68	D.8
1909920000	VG M25-1/MS68	D.8
1909930000	VG M32-1/MS68	D.8
1909940000	VG M40-1/MS68	D.8
1909950000	VG M50-1/MS68	D.8
1909980000	TS15 60 KLIPPON K1 CSS	C.155
1909980000	TS15 60 KLIPPON K1 CSS	C.172
1909990000	TS15 64 KLIPPON K11	C.156
1909990000	TS15 64 KLIPPON K11	C.172

## 1910000000

1910010000	TS15 90 KLIPPON K2 CSS	C.157
1910010000	TS15 90 KLIPPON K2 CSS	C.172
1910020000	TS15 114 KLIPPON K21 CSS	C.158
1910020000	TS15 114 KLIPPON K21 CSS	C.172
1910030000	TS15 155 KLIPPON K3 CSS	C.159
1910030000	TS15 155 KLIPPON K3 CSS	C.172

Order No.	Type	Page
1910040000	TS15 164 KLIPPON K31 CSS	C.160
1910040000	TS15 164 KLIPPON K31 CSS	C.172
1910060000	TS35 64 KLIPPON K4K11	C.162
1910060000	TS35 64 KLIPPON K4K11	C.172
1910070000	TS35 105 KLIPPON K41/POK4	C.163
1910070000	TS35 105 KLIPPON K41/POK4	C.172
1910070000	TS35 105 KLIPPON K41/POK4	C.206
1910070000	TS35 105 KLIPPON K41/POK4	C.211
1910080000	TS35/148 KLIPPON K5 CSS	C.164
1910080000	TS35/148 KLIPPON K5 CSS	C.172
1910090000	TS35/203 KLIPPON K51POK5	C.165
1910100000	TS35/140 KLIPPON K52 POK51	C.166
1910100000	TS35/140 KLIPPON K52 POK51	C.172
1910100000	TS35/140 KLIPPON K52 POK51	C.206
1910100000	TS35/140 KLIPPON K52 POK51	C.212
1910110000	TS35/172 KLIPPON K6 CSS	C.167
1910120000	TS35/243 KLIPPON K61POK6	C.168
1910130000	TS35/324 KLIPPON K7 CSS	C.169
1910140000	TS35/260 KLIPPON K71 CSS	C.170
1913320000	GWDR M12-NP	D.41

## 1920000000

1921720000	VG H M20 MS	D.10
1921740000	VG H M25 MS	D.10
1921760000	VG H M32 MS	D.10
1921770000	VG H M40 MS	D.10
1928060000	TS15 68 KLIPPON POK1 CSS	C.206
1928060000	TS15 68 KLIPPON POK1 CSS	C.208
1928070000	TS15 98 KLIPPON POK2 CSS	C.206
1928070000	TS15 98 KLIPPON POK2 CSS	C.209
1928080000	TS15 147 KLIPPON POK3 CSS	C.206
1928080000	TS15 147 KLIPPON POK3 CSS	C.210

## 1930000000

1937630000	KLIPPON K1 VMQ RAL7001	C.150
1937630000	KLIPPON K1 VMQ RAL7001	C.155
1937720000	KLIPPON K71 VMQ RAL7001	C.150
1937720000	KLIPPON K71 VMQ RAL7001	C.170
1937730000	KLIPPON K61 VMQ RAL7001	C.150
1937730000	KLIPPON K61 VMQ RAL7001	C.168
1937740000	KLIPPON K52 VMQ RAL7001	C.150
1937740000	KLIPPON K52 VMQ RAL7001	C.166
1937750000	KLIPPON K51 VMQ RAL7001	C.150
1937750000	KLIPPON K51 VMQ RAL7001	C.165
1937800000	KLIPPON K41 VMQ RAL7001	C.150
1937800000	KLIPPON K41 VMQ RAL7001	C.163
1937810000	KLIPPON K32 VMQ RAL7001	C.150
1937810000	KLIPPON K32 VMQ RAL7001	C.161
1937820000	KLIPPON K31 VMQ RAL7001	C.150
1937820000	KLIPPON K31 VMQ RAL7001	C.160
1937830000	KLIPPON K21 VMQ RAL7001	C.150
1937830000	KLIPPON K21 VMQ RAL7001	C.158
1937840000	KLIPPON K02 VMQ RAL7001	C.150
1937840000	KLIPPON K02 VMQ RAL7001	C.154
1937850000	KLIPPON K01 VMQ RAL7001	C.150
1937850000	KLIPPON K01 VMQ RAL7001	C.153
1937860000	KLIPPON K5 VMQ RAL7001	C.150
1937860000	KLIPPON K5 VMQ RAL7001	C.164
1937870000	KLIPPON K6 VMQ RAL7001	C.150
1937870000	KLIPPON K6 VMQ RAL7001	C.167
1937880000	KLIPPON K7 VMQ RAL7001	C.150
1937880000	KLIPPON K7 VMQ RAL7001	C.169
1937890000	KLIPPON K4 VMQ RAL7001	C.150
1937890000	KLIPPON K4 VMQ RAL7001	C.162
1937900000	KLIPPON K3 VMQ RAL7001	C.150
1937900000	KLIPPON K3 VMQ RAL7001	C.159
1937910000	KLIPPON K11 VMQ RAL7001	C.150
1937910000	KLIPPON K11 VMQ RAL7001	C.156
1937920000	KLIPPON K0 VMQ RAL7001	C.150
1937920000	KLIPPON K0 VMQ RAL7001	C.152
1937930000	KLIPPON K2 VMQ RAL7001	C.150
1937930000	KLIPPON K2 VMQ RAL7001	C.157
1939540000	KLIPPON K01 VMQ	C.150
1939540000	KLIPPON K01 VMQ	C.153
1939550000	KLIPPON K02 VMQ	C.150
1939550000	KLIPPON K02 VMQ	C.154
1939560000	KLIPPON K1 VMQ	C.150
1939560000	KLIPPON K1 VMQ	C.155
1939570000	KLIPPON K11 VMQ	C.150
1939570000	KLIPPON K11 VMQ	C.156
1939580000	KLIPPON K2 VMQ	C.150
1939580000	KLIPPON K2 VMQ	C.152
1939590000	KLIPPON K21 VMQ	C.150
1939590000	KLIPPON K21 VMQ	C.158
1939600000	KLIPPON K3 VMQ	C.150
1939600000	KLIPPON K3 VMQ	C.159
1939610000	KLIPPON K31 VMQ	C.150
1939610000	KLIPPON K31 VMQ	C.160
1939620000	KLIPPON K32 VMQ	C.150
1939620000	KLIPPON K32 VMQ	C.161
1939630000	KLIPPON K4 VMQ	C.150
1939630000	KLIPPON K4 VMQ	C.162
1939640000	KLIPPON K41 VMQ	C.150
1939640000	KLIPPON K41 VMQ	C.163
1939650000	KLIPPON K5 VMQ	C.150
1939650000	KLIPPON K5 VMQ	C.164
1939660000	KLIPPON K51 VMQ	C.150

Order No.	Type	Page
1939660000	KLIPPON K51 VMQ	C.165
1939670000	KLIPPON K52 VMQ	C.150
1939670000	KLIPPON K52 VMQ	C.166
1939690000	KLIPPON K6 VMQ	C.150
1939690000	KLIPPON K6 VMQ	C.167
1939700000	KLIPPON K61 VMQ	C.150
1939700000	KLIPPON K61 VMQ	C.168
1939710000	KLIPPON K7 VMQ	C.150
1939710000	KLIPPON K7 VMQ	C.169
1939730000	KLIPPON K71 VMQ	C.150
1939730000	KLIPPON K71 VMQ	C.170
1939760000	KLIPPON K0 VMQ	C.150
1939760000	KLIPPON K0 VMQ	C.152

## 1980000000

1989800000	ADT 2.5 2C	C.63
------------	------------	------

## 2000000000

2007170000	WS 8/8 MM WS	C.144
2007170000	WS 8/8 MM WS	C.145
2007170000	WS 8/8 MM WS	C.146
2007170000	WS 8/8 MM WS	C.147
2007170000	WS 8/8 MM WS	C.226
2007170000	WS 8/8 MM WS	C.227
2007170000	WS 8/8 MM WS	C.228
2007170000	WS 8/8 MM WS	C.229

## 2020000000

2022050000	KT B MOPL 2215 MSZN H	C.18
2022060000	KT B MOPL 2626 MSZN H	C.19
2022060000	KT B MOPL 2626 MSZN H	C.20
2022190000	KT B MOPL 3030 MSZN H	C.21
2022190000	KT B MOPL 3030 MSZN H	C.22
2022310000	KT B MOPL 3526 MSZN H	C.23
2022310000	KT B MOPL 3526 MSZN H	C.24
2022420000	KT B MOPL 4030 MSZN H	C.25
2022420000	KT B MOPL 4030 MSZN H	C.26
2022590000	KT B MOPL 4538 MSZN H	C.27
2022590000	KT B MOPL 4538 MSZN H	C.28
2022610000	KT B MOPL 4848 MSZN H	C.29
2022610000	KT B MOPL 4848 MSZN H	C.30
2022650000	KT B MOPL 5535 MSZN H	C.31
2022650000	KT B MOPL 5535 MSZN H	C.32
2022670000	KT B MOPL 6245 MSZN H	C.34
2022670000	KT B MOPL 6245 MSZN H	C.35
2022680000	KT B MOPL 7650 MSZN H	C.37
2022680000	KT B MOPL 7650 MSZN H	C.38
2022740000	KT B MOPL 9161 MSZN H	C.40
2022740000	KT B MOPL 9161 MSZN H	C.41
2022760000	KT B MOPL 9874 MSZN H	C.42
2022770000	KT B GP 221513 AB S4 PE	C.18
2022900000	KT B GP 221513 CD S4 PE	C.18
2022930000	KT B GP 262615 AB S4 PE	C.19
2022930000	KT B GP 262615 CD S4 PE	C.19
2023100000	KT B GP 262620 AB S4 PE	C.20
2023100000	KT B GP 262620 CD S4 PE	C.20
2023120000	KT B GP 303015 AB S4 PE	C.21
2023130000	KT B GP 303015 CD S4 PE	C.21
2023140000	KT B GP 303020 AB S4 PE	C.22
2023150000	KT B GP 303020 CD S4 PE	C.22
2023160000	KT B GP 352615 AB S4 PE	C.23
2023210000	KT B GP 352615 CD S4 PE	C.23
2023230000	KT B GP 352620 AB S4 PE	C.24
2023280000	KT B GP 352620 CD S4 PE	C.24
2023320000	KT B GP 403015 AB S4 PE	C.25
2023330000	KT B GP 403015 CD S4 PE	C.25
2023450000	KT B GP 403020 AB S4 PE	C.26
2023480000	KT B GP 403020 CD S4 PE	C.26
2023490000	KT B GP 453815 AB S4 PE	C.27
2023500000	KT B GP 453815 CD S4 PE	C.27
2023510000	KT B GP 453820 AB S4 PE	C.28
2023520000	KT B GP 453820 CD S4 PE	C.28
2023530000	KT B GP 484815 AB S4 PE	C.29
2023540000	KT B GP 484815 CD S4 PE	C.29
2023580000	KT B GP 484820 AB S4 PE	C.30
2023620000	KT B GP 484820 CD S4 PE	C.30
2023680000	KT B GP 553515 AB S4 PE	C.31
2023670000	KT B GP 553515 CD S4 PE	C.31
2023740000	KT B GP 55352	

Order No.	Type	Page
2519520000	KLIPPPON BDX M20 B	C.129
2519520000	KLIPPPON BDX M20 B	C.130
2519520000	KLIPPPON BDX M20 B	C.50
2519520000	KLIPPPON BDX M20 B	C.51
2519520000	KLIPPPON BDX M20 B	C.52
2519520000	KLIPPPON BDX M20 B	D.56
2519550000	KLIPPPON BDX M20 S	C.118
2519550000	KLIPPPON BDX M20 S	C.119
2519550000	KLIPPPON BDX M20 S	C.120
2519550000	KLIPPPON BDX M20 S	C.121
2519550000	KLIPPPON BDX M20 S	C.122
2519550000	KLIPPPON BDX M20 S	C.123
2519550000	KLIPPPON BDX M20 S	C.124
2519550000	KLIPPPON BDX M20 S	C.125
2519550000	KLIPPPON BDX M20 S	C.128
2519550000	KLIPPPON BDX M20 S	C.129
2519550000	KLIPPPON BDX M20 S	C.130
2519550000	KLIPPPON BDX M20 S	C.50
2519550000	KLIPPPON BDX M20 S	C.51
2519550000	KLIPPPON BDX M20 S	C.52
2519550000	KLIPPPON BDX M20 S	D.52
2519570000	KLIPPPON BDX M20X15 S	C.188
2519570000	KLIPPPON BDX M20X15 S	C.189
2519570000	KLIPPPON BDX M20X15 S	C.190
2519570000	KLIPPPON BDX M20X15 S	C.191
2519570000	KLIPPPON BDX M20X15 S	C.192
2519570000	KLIPPPON BDX M20X15 S	C.193
2519570000	KLIPPPON BDX M20X15 S	C.194
2519570000	KLIPPPON BDX M20X15 S	C.195
2519570000	KLIPPPON BDX M20X15 S	C.196
2519570000	KLIPPPON BDX M20X15 S	C.197
2519570000	KLIPPPON BDX M20X15 S	C.198
2519570000	KLIPPPON BDX M20X15 S	C.199
2519570000	KLIPPPON BDX M20X15 S	C.200
2519570000	KLIPPPON BDX M20X15 S	C.201
2519570000	KLIPPPON BDX M20X15 S	C.202
2519570000	KLIPPPON BDX M20X15 S	C.203
2519570000	KLIPPPON BDX M20X15 S	C.204
2519570000	KLIPPPON BDX M20X15 S	D.52
2519590000	KLIPPPON BDX M25 S	D.52

## 2580000000

2583350000	CABTITE BSE SML GY	E.4
2583360000	CABTITE SE 1.5-2 SML GY	E.4
2583380000	CABTITE SE 2-3 SML GY	E.4
2583400000	CABTITE SE 3-4 SML GY	E.4
2583440000	CABTITE SE 4-5 SML GY	E.4
2583450000	CABTITE SE 5-6 SML GY	E.4
2583460000	CABTITE SE 6-7 SML GY	E.4
2583470000	CABTITE FR 16/8 BK	E.6
2583480000	CABTITE FR 10/6 BK	E.5
2583490000	CABTITE FR 4-1 BK	E.5
2583500000	CABTITE CSE 7-24 LRG BK	E.4
2583510000	CABTITE CSE 2-11 SML BK	E.4
2583520000	CABTITE SE 2/ASI SML BK	E.4
2583530000	CABTITE SE 1/ASI SML BK	E.4
2583540000	CABTITE SE 2/8 SML BK	E.4
2583550000	CABTITE SE 2/7 SML BK	E.4
2583560000	CABTITE SE 4/4-5 SML BK	E.4
2583590000	CABTITE SE 4/3-4 SML BK	E.4
2583590000	CABTITE SE 4/2-3 SML BK	E.4
2583610000	CABTITE SE 2/5-6 SML BK	E.4
2583620000	CABTITE SE 2/4-5 SML BK	E.4
2583630000	CABTITE SE 32-33 LRG BK	E.4
2583640000	CABTITE SE 31-32 LRG BK	E.4
2583650000	CABTITE SE 30-31 LRG BK	E.4
2583660000	CABTITE SE 29-30 LRG BK	E.4
2583670000	CABTITE SE 28-29 LRG BK	E.4
2583680000	CABTITE SE 27-28 LRG BK	E.4
2583690000	CABTITE SE 26-27 LRG BK	E.4
2583700000	CABTITE SE 25-26 LRG BK	E.4
2583710000	CABTITE SE 24-25 LRG BK	E.4
2583720000	CABTITE FR 24/10 BK SET	E.6
2583730000	CABTITE SE 23-24 LRG BK	E.4
2583740000	CABTITE FR 16/8 BK SET	E.6
2583750000	CABTITE SE 22-23 LRG BK	E.4
2583760000	CABTITE FR 10/6 BK SET	E.5
2583770000	CABTITE SE 21-22 LRG BK	E.4
2583780000	CABTITE FR 4-1 BK SET	E.5
2583790000	CABTITE SE 20-21 LRG BK	E.4
2583800000	CABTITE FR 24/10 BK	E.6
2583810000	CABTITE SE 19-20 LRG BK	E.4
2583830000	CABTITE SE 18-19 LRG BK	E.4
2583840000	CABTITE SE 17-18 LRG BK	E.4
2583850000	CABTITE SE 16-17 LRG BK	E.4
2583860000	CABTITE SE 15-16 LRG BK	E.4
2583880000	CABTITE SE 14-15 LRG BK	E.4
2583890000	CABTITE CR 24/10 EMV	E.8
2583900000	CABTITE BSE LRG BK	E.4
2583910000	CABTITE CR 16/8 EMV	E.8
2583930000	CABTITE CR 10/6 EMV	E.8
2583950000	CABTITE CR 4/1 EMV	E.8
2583960000	CABTITE SE 15-16 SML BK	E.4
2583980000	CABTITE SE 14-15 SML BK	E.4
2584000000	CABTITE SE 13-14 SML BK	E.4
2584010000	CABTITE LNS M63 BK	E.7
2584020000	CABTITE SE 12-13 SML BK	E.4
2584030000	CABTITE LNS M50 BK	E.7

Order No.	Type	Page
2584040000	CABTITE SE 11-12 SML BK	E.4
2584050000	CABTITE LNS M40 BK	E.7
2584060000	CABTITE SE 10-11 SML BK	E.4
2584070000	CABTITE LNS M32 BK	E.7
2584080000	CABTITE SE 9-10 SML BK	E.4
2584090000	CABTITE LNS M25 BK	E.7
2584110000	CABTITE LNS M20 BK	E.7
2584120000	CABTITE CGS M63 BK	E.7
2584130000	CABTITE CGS M50 BK	E.7
2584150000	CABTITE CGS M40 BK	E.7
2584160000	CABTITE CGS M32 BK	E.7
2584180000	CABTITE CGS M25 BK	E.7
2584200000	CABTITE CGS M20 BK	E.7
2584210000	CABTITE FRL 24/10 BK	E.6
2584220000	CABTITE FRL 16/8 BK	E.6
2584240000	CABTITE FRL 10/6 BK	E.5
2584260000	CABTITE FRL 4-1 BK	E.5
2584270000	CABTITE GI H BK	E.7
2584290000	CABTITE GI X BK	E.7
2584300000	CABTITE GI T BK	E.7
2584320000	CABTITE GI I BK	E.7
2584330000	CABTITE SE 8-9 SML BK	E.4
2584340000	CABTITE SE 7-8 LRG GY	E.4
2584350000	CABTITE SE 28-29 LRG GY	E.4
2584360000	CABTITE SE 30-31 LRG GY	E.4
2584370000	CABTITE SE 27-28 LRG GY	E.4
2584380000	CABTITE SE 29-30 LRG GY	E.4
2584390000	CABTITE SE 26-27 LRG GY	E.4
2584400000	CABTITE SE 25-26 LRG GY	E.4
2584410000	CABTITE SE 24-25 LRG GY	E.4
2584420000	CABTITE SE 23-24 LRG GY	E.4
2584430000	CABTITE SE 22-23 LRG GY	E.4
2584440000	CABTITE SE 21-22 LRG GY	E.4
2584450000	CABTITE SE 20-21 LRG GY	E.4
2584460000	CABTITE SE 19-20 LRG GY	E.4
2584470000	CABTITE SE 18-19 LRG GY	E.4
2584480000	CABTITE SE 17-18 LRG GY	E.4
2584490000	CABTITE SE 16-17 LRG GY	E.4
2584500000	CABTITE SE 15-16 LRG GY	E.4
2584510000	CABTITE SE 14-15 LRG GY	E.4
2584520000	CABTITE BSE LRG GY	E.4
2584550000	CABTITE SE 15-16 SML GY	E.4
2584560000	CABTITE SE 14-15 SML GY	E.4
2584570000	CABTITE SE 13-14 SML GY	E.4
2584590000	CABTITE SE 12-13 SML GY	E.4
2584600000	CABTITE SE 11-12 SML GY	E.4
2584610000	CABTITE SE 10-11 SML GY	E.4
2584630000	CABTITE SE 9-10 SML GY	E.4
2584650000	CABTITE SE 8-9 SML GY	E.4
2584660000	CABTITE SE 7-8 SML GY	E.4
2584670000	CABTITE SE 7-8 SML BK	E.4
2584680000	CABTITE SE 4-5 SML BK	E.4
2584690000	CABTITE SE 6-7 SML BK	E.4
2584710000	CABTITE SE 5-6 SML BK	E.4
2584730000	CABTITE SE 3-4 SML BK	E.4
2584760000	CABTITE SE 2-3 SML BK	E.4
2584780000	CABTITE SE 1.5-2 SML BK	E.4
2584790000	CABTITE BSE SML BK	E.4
2584800000	CABTITE SE 2/ASI SML GY	E.4
2584810000	CABTITE SE 1/ASI SML GY	E.4
2584820000	CABTITE SE 2/8 SML GY	E.4
2584830000	CABTITE SE 2/7 SML GY	E.4
2584840000	CABTITE SE 4/4-5 SML GY	E.4
2584860000	CABTITE SE 4/3-4 SML GY	E.4
2584870000	CABTITE SE 4/2-3 SML GY	E.4
2584890000	CABTITE SE 2/5-6 SML GY	E.4
2584900000	CABTITE SE 2/4-5 SML GY	E.4
2584910000	CABTITE SE 33-34 LRG GY	E.4
2584920000	CABTITE SE 32-33 LRG GY	E.4

## 2590000000

2595510000	CABTITE SE 33-34 LRG BK	E.4
2595520000	CABTITE SE 34-35 LRG BK	E.4
2595530000	CABTITE SE 34-35 LRG GY	E.4

## 2630000000

2635120000	CABTITE SC M5X25 SET	E.5
2635120000	CABTITE SC M5X25 SET	E.5
2635120000	CABTITE SC M5X25 SET	E.6
2635120000	CABTITE SC M5X25 SET	E.6
2637360000	CABTITE TOOL ATSE PA	E.5
2637360000	CABTITE TOOL ATSE PA	E.6

## 2650000000

2652280000	CABTITE SE 3/5-6 SML BK	E.4
2652290000	CABTITE SE 3/5-6 SML GY	E.4
2652300000	CABTITE BP 2MM PA	E.8
2652310000	CABTITE BP 3MM PA	E.8
2652320000	CABTITE BP 4MM PA	E.8
2652330000	CABTITE BP 5MM PA	E.8
2652340000	CABTITE BP 6MM PA	E.8
2652350000	CABTITE BP 7MM PA	E.8
2652360000	CABTITE BP 8MM PA	E.8
2652370000	CABTITE BP 9MM PA	E.8
2652380000	CABTITE BP 10MM PA	E.8
2652400000	CABTITE BP 12MM PA	E.8

Order No.	Type	Page
2652410000	CABTITE BP 13MM PA	E.8
2652420000	CABTITE BP 14MM PA	E.8
2652430000	CABTITE BP 17MM PA	E.8

## 2660000000

2660200318	KEB MOFT SMALL S4 SET	C.74
2660200318	KEB MOFT SMALL S4 SET	C.75
2660200318	KEB MOFT SMALL S4 SET	C.76
2660200318	KEB MOFT SMALL S4 SET	C.77
2660200318	KEB MOFT SMALL S4 SET	C.78
2660200318	KEB MOFT SMALL S4 SET	C.79
2660200318	KEB MOFT SMALL S4 SET	C.80
2660200318	KEB MOFT SMALL S4 SET	C.81
2660200318	KEB MOFT SMALL S4 SET	C.82
2660200318	KEB MOFT SMALL S4 SET	C.83
2660200318	KEB MOFT SMALL S4 SET	C.84
2660200318	KEB MOFT SMALL S4 SET	C.88
2660200318	KEB MOFT SMALL S4 SET	C.89
2660200318	KEB MOFT SMALL S4 SET	C.90
2660200318	KEB MOFT SMALL S4 SET	C.91
2660200318	KEB MOFT SMALL S4 SET	C.92
2660200318	KEB MOFT SMALL S4 SET	C.93
2660200318	KEB MOFT SMALL S4 SET	C.94
2660200318	KEB MOFT SMALL S4 SET	C.95
2660200318	KEB MOFT SMALL S4 SET	C.96
2660200318	KEB MOFT SMALL S4 SET	C.97

## 2690000000

2698040000	KT B MH 355520 S4E0	C.14
2698040000	KT B MH 355520 S4E0	C.33
2698050000	KT B MH 355520 S4E1	C.14
2698050000	KT B MH 355520 S4E1	C.33
2698060000	KT B MH 456220 S4E0	C.14
2698060000	KT B MH 456220 S4E0	C.36
2698070000	KT B MH 456220 S4E1	C.14
2698070000	KT B MH 456220 S4E1	C.36
2698080000	KT B MH 507620 S4E0	C.14
2698080000	KT B MH 507620 S4E0	C.39
2698090000	KT B MH 507620 S4E1	C.14
2698090000	KT B MH 507620 S4E1	C.39
2698400000	KT B LQL 1005030S4B1 LL1	C.66
2698400000	KT B LQL 1005030S4B1 LL1	C.68
2698420000	KT B LQL 1258040S4B1 LL1	C.66
2698420000	KT B LQL 1258040S4B1 LL1	C.68
2698430000	KT B LQL 15010050S4B1 LL1	C.66
2698430000	KT B LQL 15010050S4B1 LL1	C.69
2698520000	KT B LRLNH05030S4B LL1	C.68
2698530000	KT B LRLNH08040S4B LL1	C.68
2698540000	KT B LRLNH010050S4B LL1	C.69

## 2700000000

2704960000	LKSC M6X8 A2 TX30	C.74
2704960000	LKSC M6X8 A2 TX30	C.75
2704960000	LKSC M6X8 A2 TX30	C.76
2704960000	LKSC M6X8 A2 TX30	C.77
2704960000	LKSC M6X8 A2 TX30	C.78
2704960000	LKSC M6X8 A2 TX30	C.79
2704960000	LKSC M6X8 A2 TX30	C.80
2704960000	LKSC M6X8 A2 TX30	C.81
2704960000	LKSC M6X8 A2 TX30	C.82
2704960000	LKSC M6X8 A2 TX30	C.83
2704960000	LKSC M6X8 A2 TX30	C.84
2704960000	LKSC M6X8 A2 TX30	C.88
2704960000	LKSC M6X8 A2 TX30	C.89
2704960000	LKSC M6X8 A2 TX30	C.90
2704960000	LKSC M6X8 A2 TX30	C.91
2704960000	LKSC M6X8 A2 TX30	C.92
2704960000	LKSC M6X8 A2 TX30	C.93
2704960000	LKSC M6X8 A2 TX30	C.94
2704960000	LKSC M6X8 A2 TX30	C.95
2704960000	LKSC M6X8 A2 TX30	C.96
2704960000	LKSC M6X8 A2 TX30	C.97

## 2710000000

2715660000	KT B MOPL 3555 MSZN	C.33
2715990000	VG 16 HQ K68 4.6.5	D.15
2716090000	KT B MOPL 3555 MSZN H	C.33
2716100000	KT B MOPL 4562 MSZN	C.36
2716110000	KT B MOPL 4562 MSZN H	C.36

Order No.	Type	Page
2749640000	SDIS SLIM 1.2X6.5X150	C.78
2749640000	SDIS SLIM 1.2X6.5X150	C.79
2749640000	SDIS SLIM 1.2X6.5X150	C.80
2749640000	SDIS SLIM 1.2X6.5X150	C.81
2749640000	SDIS SLIM 1.2X6.5X150	C.82
2749640000	SDIS SLIM 1.2X6.5X150	C.83
2749640000	SDIS SLIM 1.2X6.5X150	C.84

2770000000

2779310000	CABITTE EP 24/13 GY	E.12
2779320000	CABITTE EP 24/14 GY	E.12
2779330000	CABITTE EP 24/16 GY	E.12
2779340000	CABITTE EP 24/16-1 GY	E.12
2779350000	CABITTE EP 24/17 GY	E.12
2779360000	CABITTE EP 24/20 GY	E.12
2779370000	CABITTE EP 24/21 GY	E.12
2779380000	CABITTE EP 24/32 GY	E.12

3010000000

3018950000	MP TBF 30/19	C.232
------------	--------------	-------

3070000000

3073000000	MOPL K11 STAHL	C.156
3073020000	MOPL K21 STAHL	C.158
3073040000	MOPL K31 STAHL	C.160
3073050000	MOPL K32 STAHL	C.161
3073060000	MOPL K4 STAHL	C.162
3073070000	MOPL K41 STAHL	C.163
3073080000	MOPL K5 STAHL	C.164
3073090000	MOPL K51 STAHL	C.165
3073100000	MOPL K52 STAHL	C.166
3073110000	MOPL K6 STAHL	C.167
3073120000	MOPL K61 STAHL	C.168
3073130000	MOPL K7 STAHL	C.169
3073140000	MOPL K71 STAHL	C.170

3890000000

3896100000	SP M6 15 MSZN	C.102
3896100000	SP M6 15 MSZN	C.103
3896100000	SP M6 15 MSZN	C.104
3896100000	SP M6 15 MSZN	C.105
3896100000	SP M6 15 MSZN	C.106
3896100000	SP M6 15 MSZN	C.107
3896100000	SP M6 15 MSZN	C.108
3896100000	SP M6 15 MSZN	C.109
3896100000	SP M6 15 MSZN	C.110
3896100000	SP M6 15 MSZN	C.111
3896100000	SP M6 15 MSZN	C.112
3896200000	SP M6 20 MSZN	C.102
3896200000	SP M6 20 MSZN	C.103
3896200000	SP M6 20 MSZN	C.104
3896200000	SP M6 20 MSZN	C.105
3896200000	SP M6 20 MSZN	C.106
3896200000	SP M6 20 MSZN	C.107
3896200000	SP M6 20 MSZN	C.108
3896200000	SP M6 20 MSZN	C.109
3896200000	SP M6 20 MSZN	C.110
3896200000	SP M6 20 MSZN	C.111
3896200000	SP M6 20 MSZN	C.112
3896300000	SP M6 30 MSZN	C.102
3896300000	SP M6 30 MSZN	C.103
3896300000	SP M6 30 MSZN	C.104
3896300000	SP M6 30 MSZN	C.105
3896300000	SP M6 30 MSZN	C.106
3896300000	SP M6 30 MSZN	C.107
3896300000	SP M6 30 MSZN	C.108
3896300000	SP M6 30 MSZN	C.109
3896300000	SP M6 30 MSZN	C.110
3896300000	SP M6 30 MSZN	C.111
3896300000	SP M6 30 MSZN	C.112

7900000000

7906080000	BK 4/E	C.172
------------	--------	-------

8000000000

8000003444	KL SET 12W4 S	C.172
8000003444	KL SET 12W4 S	C.206
8000003444	KL SET 12W4 S	C.211
8000003446	KLIPPPON K41 2M25AB CSS	C.172
8000003447	KLIPPPON K41 3M20AB CSS	C.172
8000003448	KLIPPPON PK04 3M20AB CSS	C.206
8000003448	KLIPPPON PK04 3M20AB CSS	C.211
8000003589	KLIPPPON K41 M25WCSS EX	C.172
8000003591	KLIPPPON K41 M20WCSS EX	C.172
8000003593	KLIPPPON PK04 M20WCSS EX	C.206
8000003593	KLIPPPON PK04 M20WCSS EX	C.211
8000003594	KLIPPPON PK04 M20WCSS EX	C.206
8000003594	KLIPPPON PK04 M20WCSS EX	C.211
8000003889	TS15X5 ST POK 0808	C.188
8000003890	TS15X5 ST POK 0811	C.189
8000003890	TS15X5 ST POK 0811	C.189
8000003891	TS15X5 ST POK 0816	C.190
8000003892	TS15X5 ST POK 0819	C.191

Order No.	Type	Page
8000003908	TS35X7.5 ST K52	C.195
8000003909	TS35X7.5 ST POK 1626	C.196
8000003910	TS35X7.5 ST POK 1636	C.197
8000003911	TS35X7.5 ST POK 1656	C.198
8000003912	TS35X7.5 ST POK 2525	C.199
8000003912	TS35X7.5 ST POK 2525	C.200
8000003913	TS35X7.5 ST POK 4040	C.201
8000003913	TS35X7.5 ST POK 4040	C.202
8000003913	TS35X7.5 ST POK 4040	C.204
8000003914	TS35X7.5 ST POK 2560	C.203
8000004129	MOPL SET BK4 S	C.172
8000004130	KL SET 522.5 S	C.172
8000004132	MOPL SET BK6 S	C.172
8000004133	KL SET 1422.5 S	C.172
8000004134	KL SET 1344 S	C.172
8000004135	MOPL SET BK12 S	C.172
8000004136	KL SET 2422.5 S	C.172
8000004139	KL SET 424 S	C.172
8000004142	KL SET 32W4 S	C.172
8000004142	KL SET 32W4 S	C.206
8000004142	KL SET 32W4 S	C.212
8000004143	KL SET 3822.5 S	C.172
8000004143	KL SET 3822.5 S	C.206
8000004143	KL SET 3822.5 S	C.212
8000004144	KL SET 644 S	C.206
8000004144	KL SET 644 S	C.208
8000004146	KL SET 1844 S	C.206
8000004146	KL SET 1844 S	C.210
8000004147	KLIPPPON K1 1.5M16AB CSS	C.172
8000004148	KLIPPPON K1 1M120AB CSS	C.172
8000004149	KLIPPPON K11 2M16AB CSS	C.172
8000004150	KLIPPPON K11 2M20AB CSS	C.172
8000004151	KLIPPPON K2 4M20AB CSS	C.172
8000004152	KLIPPPON K21 3M16AB CSS	C.172
8000004153	KLIPPPON K3 4M20AB CSS	C.172
8000004154	KLIPPPON K31 4M20AB CSS	C.172
8000004155	KLIPPPON K4 2M20AB CSS	C.172
8000004158	KLIPPPON K5 4M20AB CSS	C.172
8000004160	KLIPPPON PK1 2M16AB CSS	C.206
8000004160	KLIPPPON PK1 2M16AB CSS	C.208
8000004161	KLIPPPON PK2 2M20AB CSS	C.206
8000004161	KLIPPPON PK2 2M20AB CSS	C.209
8000004162	KLIPPPON PK3 4M20AB CSS	C.206
8000004162	KLIPPPON PK3 4M20AB CSS	C.210
8000004164	KLIPPPON K51 4M20ABCSS	C.206
8000004164	KLIPPPON PK051 4M20ABCSS	C.172
8000004184	KLIPPPON K01 1M16AB CSS	C.212
8000004203	KLIPPPON K1 M16BCSS EX	C.172
8000004203	KLIPPPON K1 M20BCSS EX	C.172
8000004204	KLIPPPON K11 M16ZCSS EX	C.172
8000004207	KLIPPPON K11 M16ACSS EX	C.172
8000004208	KLIPPPON K11 M20ACSS EX	C.172
8000004209	KLIPPPON K11 M20ACSS EX	C.172
8000004210	KLIPPPON K2 M20ACSS EX	C.172
8000004211	KLIPPPON K21 M16ZCSS EX	C.172
8000004212	KLIPPPON K21 M16ACSS EX	C.172
8000004214	KLIPPPON K31 M20ACSS EX	C.172
8000004218	KLIPPPON K5 4M20WCSS EX	C.172
8000004219	KLIPPPON K51 4M20ZCSS EX	C.172
8000004220	KLIPPPON K52 M20WCSS EX	C.172
8000004221	KLIPPPON K52 M20ZCSS EX	C.172
8000004222	KLIPPPON PK1 M16BCSS EX	C.206
8000004223	KLIPPPON PK1 M16ACSS EX	C.206
8000004223	KLIPPPON PK1 M16ACSS EX	C.208
8000004224	KLIPPPON PK2 M20BCSS EX	C.206
8000004225	KLIPPPON PK2 M20ACSS EX	C.206
8000004225	KLIPPPON PK2 M20ACSS EX	C.209
8000004226	KLIPPPON PK3 M20BCSS EX	C.206
8000004226	KLIPPPON PK3 M20BCSS EX	C.210
8000004228	KLIPPPON PK3 M20ACSS EX	C.206
8000004228	KLIPPPON PK3 M20ACSS EX	C.210
8000004229	KLIPPPON PK51 M20WCSS E	C.206
8000004230	KLIPPPON PK51 M20WCSS E	C.212
8000004230	KLIPPPON PK51 M20ZCSS E	C.212
8000004365	KL SET KLIPPPON K01 BK4	C.206
8000004365	KL SET KLIPPPON K01 BK4	C.208
8000004366	KL SET KLIPPPON K02 BK6	C.206
8000004366	KL SET KLIPPPON K02 BK6	C.209
8000004367	KL SET KLIPPPON K03BK12	C.206
8000004367	KL SET KLIPPPON K03BK12	C.210
8000006708	TS35X7.5 ST KT8215 VER	C.18
8000006709	TS35X7.5 ST KT82626 VER	C.19
8000006709	TS35X7.5 ST KT82626 VER	C.20
8000006710	TS35X7.5 ST KT83030 VER	C.21
8000006710	TS35X7.5 ST KT83526 VER	C.22
8000006711	TS35X7.5 ST KT83526 VER	C.23
8000006711	TS35X7.5 ST KT83526 VER	C.24
8000006712	TS35X7.5 ST KT84030 VER	C.25
8000006712	TS35X7.5 ST KT84030 VER	C.26
8000006713	TS35X7.5 ST KT84538 VER	C.27
8000006714	TS35X7.5 ST KT84538 VER	C.28
8000006714	TS35X7.5 ST KT84948 VER	C.30
8000006715	TS35X7.5 ST KT85535 VER	C.31
8000006715	TS35X7.5 ST KT85535 VER	C.32
8000006716	TS35X7.5 ST KT86245 VER	C.34

Order No.	Type	Page
8000006716	TS35X7.5 ST KT86245 VER	C.35
8000006717	TS35X7.5 ST KT8650 VER	C.37
8000006717	TS35X7.5 ST KT8650 VER	C.38
8000006718	TS35X7.5 ST KT89161 VER	C.40
8000006718	TS35X7.5 ST KT89161 VER	C.41
8000006719	TS35X7.5 ST KT89874 VER	C.42
8000006720	TS35X7.5 ST KT82215 HOR	C.18
8000006721	TS35X7.5 ST KT83526 HOR	C.19
8000006721	TS35X7.5 ST KT83526 HOR	C.20
8000006721	TS35X7.5 ST KT83526 HOR	C.23
8000006721	TS35X7.5 ST KT83526 HOR	C.24
8000006722	TS35X7.5 ST KT83030 HOR	C.21
8000006722	TS35X7.5 ST KT83030 HOR	C.22
8000006723	TS35X7.5 ST KT84030 HOR	C.25
8000006723	TS35X7.5 ST KT84030 HOR	C.26
8000006724	TS35X7.5 ST KT84538 HOR	C.27
8000006724	TS35X7.5 ST KT84538 HOR	C.28
8000006725	TS35X7.5 ST KT84848 HOR	C.29
8000006725	TS35X7.5 ST KT84848 HOR	C.30
8000006726	TS35X7.5 ST KT85535 HOR	C.31
8000006726	TS35X7.5 ST KT85535 HOR	C.32
8000006727	TS35X7.5 ST KT86245 HOR	C.34
8000006727	TS35X7.5 ST KT86245 HOR	C.35
8000006728	TS35X7.5 ST KT87650 HOR	C.37
8000006728	TS35X7.5 ST KT87650 HOR	C.38
8000006729	TS35X7.5 ST KT89161 HOR	C.40
8000006729	TS35X7.5 ST KT89161 HOR	C.42
8000006730	TS35X7.5 ST KT89874 HOR	C.41
800028395	STB 2 EXE	C.126
800028396	STB 2 EXE	C.128
800028396	STB 3 EXE	C.126
800028396	STB 3 EXE	C.129
800028397	STB 4 EXE	C.130
800028398	STB MH 221513 EXIA	C.48
800028398	STB MH 221513 EXIA	C.50
800028399	STB MH 262615 EXIA	C.48
800028399	STB MH 262615 EXIA	C.51
800028401	KT8 QL 484820 EXE	C.48
800028401	KT8 QL 484820 EXE	C.52
800032382	TS15X5 ST POK 0823	C.192
8000037552	TS35X7.5 ST KEBI 80 VER	C.112
8000037553	TS35X7.5 ST KEBI 60 VER	C.110
8000037553	TS35X7.5 ST KEBI 50 VER	C.111
8000037554	TS35X7.5 ST KEBI 50 VER	C.108
8000037554	TS35X7.5 ST KEBI 50 VER	C.109
8000037555	TS35X7.5 ST KEBI 40 VER	C.105
8000037555	TS35X7.5 ST KEBI 40 VER	C.106
8000037555	TS35X7.5 ST KEBI 40 VER	C.107
8000037556	TS35X7.5 ST KEBI 30 VER	C.102
8000037556	TS35X7.5 ST KEBI 30 VER	C.103
8000037556	TS35X7.5 ST KEBI 30 VER	C.104
8000037557	TS35X7.5 ST FPC 20 HOR	C.251
8000037558	TS35X7.5 ST FPC 20 VER	C.251
8000037559	TS35X7.5 ST FPC 20 HOR	C.252
8000037558	TS35X7.5 ST FPC 20 VER	C.252
8000037559	TS35X7.5 ST FPC 30 HOR	C.251
8000037560	TS35X7.5 ST FPC 40 HOR	C.252
8000037560	TS35X7.5 ST FPC 40 HOR	C.252
8000037560	TS35X7.5 ST FPC 40 HOR	C.253
8000037561	TS35X7.5 ST FPC 30 VER	C.253
8000037562	TS35X7.5 ST FPC 40 VER	C.253
8000037563	TS35X7.5 ST FPC 60 HOR	C.253
8000037568	TS35X7.5 ST MPC1222	C.194
8000037598	TS15X5 ST MPC1217 VER	C.240
8000037598	TS15X5 ST MPC1217 VER	C.241
8000037598	TS15X5 ST MPC1217 VER	C.241
8000037598	TS15X5 ST MPC1217 VER	C.242
8000037598	TS15X5 ST MPC1217 VER	C.242
8000037598	TS15X5 ST MPC1217 VER	C.243
8000037598	TS15X5 ST MPC1217 VER	C.244
8000037599	TS15X5 ST MPC0712 VER	C.240
8000037599	TS15X5 ST MPC0712 VER	C.240
8000037599	TS15X5 ST MPC0712 VER	C.241
8000037600	TS35X7.5 ST MPC1725 VER	C.244
8000037600	TS35X7.5 ST MPC1725 VER	C.245
8000037600	TS35X7.5 ST MPC1725 VER	C.246
8000037600	TS35X7.5 ST MPC1725 VER	

Order No.	Type	Page
8000074324	KEB MOPL 6040 S2N H	C.96
8000074325	KEB MOPL 8060 S2N H	C.84
8000074325	KEB MOPL 8060 S2N H	C.97
8000080476	KTb FS 221513 S2B2 TUBEBOX	C.54
8000080476	KTb FS 221513 S2B2 TUBEBOX	C.57
8000080477	KTb FS 262615 S2B2 TUBEBOX SAKK 10	C.54
8000080477	KTb FS 262615 S2B2 TUBEBOX SAKK 10	C.58
8000080478	KTb FS 262615 S2N2 TRAINBOX SMALL	C.54
8000080478	KTb FS 262615 S2N2 TRAINBOX SMALL	C.59
8000080479	KTb FS 352615 S2P2 TRAINBOX HV	C.54
8000080479	KTb FS 352615 S2P2 TRAINBOX HV	C.60
8000080480	KTb FS 262615 S2B1 TRACKBOX SMALL	C.54
8000080480	KTb FS 262615 S2B1 TRACKBOX SMALL	C.62
8000080481	KTb FS 553518 S2B1 TRACKBOX EOP	C.54
8000080481	KTb FS 553518 S2B1 TRACKBOX EOP	C.63
8000080482	KTb FS 624515 S2B1 TRACKBOX BIG	C.63
8000080482	KTb FS 624515 S2B1 TRACKBOX BIG	C.64
8000080863	KTb FS 453815 S2N2 TRAINBOX BIG	C.54
8000080863	KTb FS 453815 S2N2 TRAINBOX BIG	C.61
8000092462	KTb FS 302915 S2N2 ANGLEDBox EDGE HV	C.54
8000092462	KTb FS 302915 S2N2 ANGLEDBox EDGE HV	C.65

## 8440000000

8448920000	MCZ OVP CL 24VDC 0.5A	C.63
------------	-----------------------	------

## 8560000000

8563410000	TS35X7.5 ST STB 4 STB 6	C.123
8563410000	TS35X7.5 ST STB 4 STB 6	C.124
8563410000	TS35X7.5 ST STB 4 STB 6	C.125

## 8680000000

8683740000	TS35X7.5 ST STB 1.1 STB 2	C.118
8683740000	TS35X7.5 ST STB 1.1 STB 2	C.119
8683740000	TS35X7.5 ST STB 1.1 STB 2	C.120

## 8800000000

8803610000	TS35X7.5 ST STB 5	C.123
8803610000	TS35X7.5 ST STB 5	C.124
8803610000	TS35X7.5 ST STB 5	C.125

## 9500000000

9500950000	MP TBF 56/30	C.234
9500960000	MP TBF 49/30	C.234
9502610000	SAKK 10	C.144
9502610000	SAKK 10	C.145
9502610000	SAKK 10	C.146
9502610000	SAKK 10	C.147
9502610000	SAKK 10	C.226
9502610000	SAKK 10	C.227
9502610000	SAKK 10	C.228
9502610000	SAKK 10	C.229
9502610000	SAKK 10	C.58
9502630000	AP SAKK4/10 KER/WS	C.144
9502630000	AP SAKK4/10 KER/WS	C.145
9502630000	AP SAKK4/10 KER/WS	C.146
9502630000	AP SAKK4/10 KER/WS	C.147
9502630000	AP SAKK4/10 KER/WS	C.226
9502630000	AP SAKK4/10 KER/WS	C.227
9502630000	AP SAKK4/10 KER/WS	C.228
9502630000	AP SAKK4/10 KER/WS	C.229
9502650000	QL 2 SAKK 10	C.144
9502650000	QL 2 SAKK 10	C.145
9502650000	QL 2 SAKK 10	C.146
9502650000	QL 2 SAKK 10	C.147
9502650000	QL 2 SAKK 10	C.226
9502650000	QL 2 SAKK 10	C.227
9502650000	QL 2 SAKK 10	C.228
9502650000	QL 2 SAKK 10	C.229
9502720000	MP TBF 19/15	C.232
9502730000	MP TBF 30/30	C.233
9502740000	MP TBF 37/30	C.233
9502750000	MP TBF 60/30	C.235
9502800000	TBF 49/30/18 7035	C.230
9502800000	TBF 49/30/18 7035	C.234
9502810000	TBF 56/30/18 7035	C.230
9502810000	TBF 56/30/18 7035	C.234
9502820000	TBF 60/37/18 7035	C.230
9502820000	TBF 60/37/18 7035	C.236
9502830000	TBF 60/60/18 7035	C.230
9502830000	TBF 60/60/18 7035	C.236
9502840000	TBF 49/30/21 TRSP	C.230
9502840000	TBF 49/30/21 TRSP	C.234
9502850000	TBF 56/30/21 TRSP	C.230
9502850000	TBF 56/30/21 TRSP	C.234
9502860000	TBF 60/37/21 TRSP	C.230
9502860000	TBF 60/37/21 TRSP	C.236
9502860000	TBF 60/60/21 TRSP	C.230
9502870000	TBF 60/60/21 TRSP	C.236
9502910000	MP TBF 60/37	C.236
9502920000	MP TBF 60/60	C.236
9509510000	VH 12.5 SAKK10	C.144
9509510000	VH 12.5 SAKK10	C.145
9509510000	VH 12.5 SAKK10	C.146
9509510000	VH 12.5 SAKK10	C.147

Order No.	Type	Page
9509510000	VH 12.5 SAKK10	C.226
9509510000	VH 12.5 SAKK10	C.227
9509510000	VH 12.5 SAKK10	C.228
9509510000	VH 12.5 SAKK10	C.229

## 9510000000

9510570000	POK MOPL 0808	C.188
9510580000	POK MOPL 0811	C.189
9510590000	POK MOPL 1212	C.193
9510600000	POK MOPL 1222	C.194
9510610000	POK MOPL 1616	C.195
9510620000	POK MOPL 1626	C.196
9510630000	POK MOPL 1636	C.197
9510640000	POK MOPL 2525	C.199
9510640000	POK MOPL 2525	C.200
9510650000	POK MOPL 2540	C.201
9510650000	POK MOPL 2540	C.202
9510660000	POK MOPL 2560	C.203
9510670000	POK MOPL 4040	C.204
9510680000	POK MOPL 0816	C.194
9510690000	POK MOPL 0819	C.191
9510710000	POK MOPL 1656	C.198
9510900000	MF POK SMALL	C.188
9510900000	MF POK SMALL	C.189
9510900000	MF POK SMALL	C.190
9510900000	MF POK SMALL	C.191
9510900000	MF POK SMALL	C.192
9510910000	MF POK BIG	C.193
9510910000	MF POK BIG	C.194
9510910000	MF POK BIG	C.195
9510910000	MF POK BIG	C.196
9510910000	MF POK BIG	C.197
9510910000	MF POK BIG	C.198
9510910000	MF POK BIG	C.199
9510910000	MF POK BIG	C.200
9510910000	MF POK BIG	C.201
9510910000	MF POK BIG	C.202
9510910000	MF POK BIG	C.203
9510910000	MF POK BIG	C.204

## 9520000000

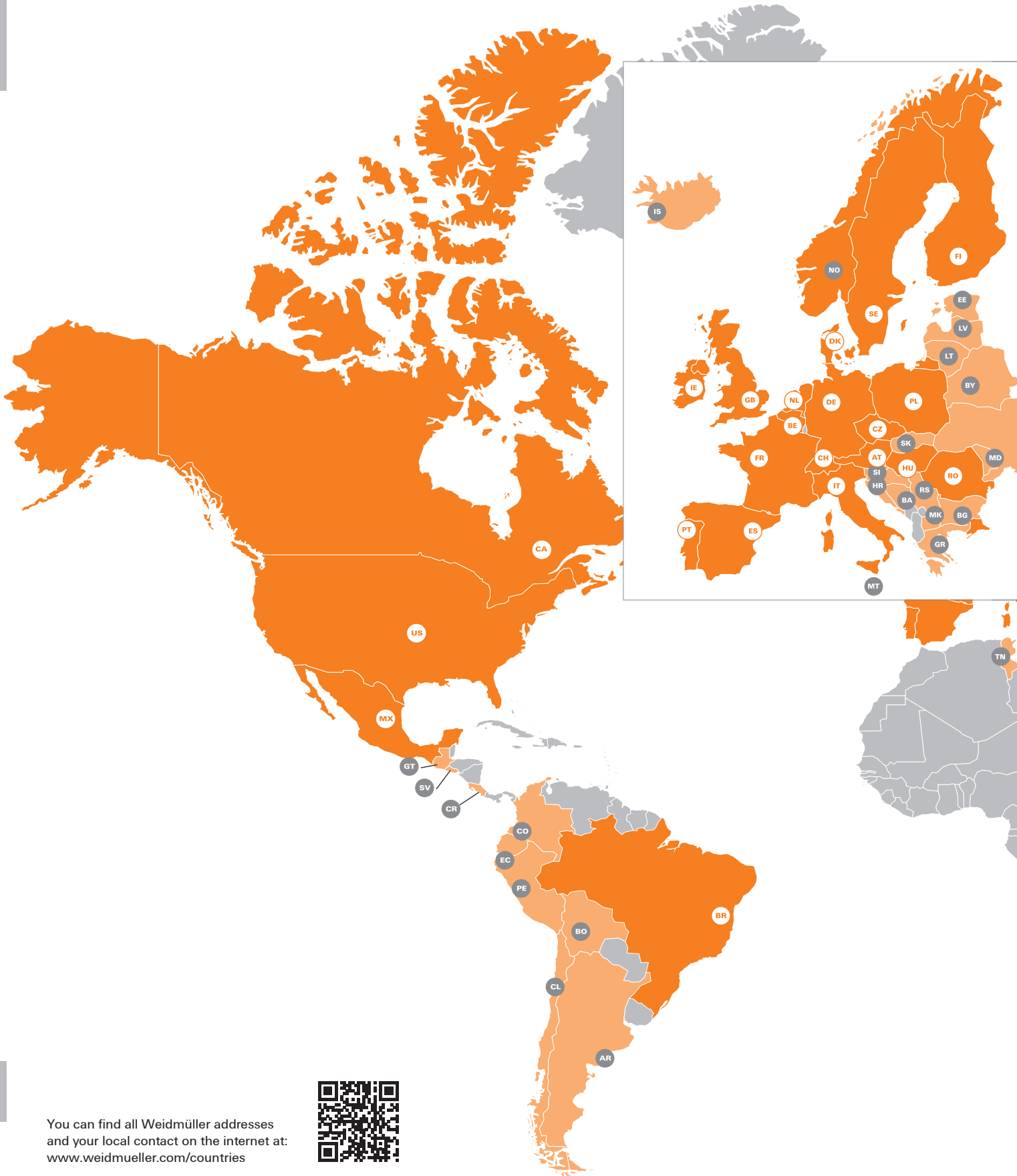
9526840000	KLIPPON K1 EX	C.150
9526850000	KLIPPON K11 EX	C.150
9526860000	KLIPPON K2 EX	C.150
9526870000	KLIPPON K21 EX	C.150
9526880000	KLIPPON K3 EX	C.150
9526890000	KLIPPON K31 EX	C.150
9526900000	KLIPPON K32 EX	C.150
9526910000	KLIPPON K4 EX	C.150
9526920000	KLIPPON K41 EX	C.150
9526930000	KLIPPON K5 EX	C.150
9526940000	KLIPPON K51 EX	C.150
9526950000	KLIPPON K52 EX	C.150
9526960000	KLIPPON K6 EX	C.150
9526970000	KLIPPON K61 EX	C.150
9526980000	KLIPPON K7 EX	C.150
9526990000	KLIPPON K71 EX	C.150
9527590000	KLIPPON K MF KIT 25	C.163
9527590000	KLIPPON K MF KIT 25	C.165
9527590000	KLIPPON K MF KIT 25	C.166
9527590000	KLIPPON K MF KIT 25	C.168
9527590000	KLIPPON K MF KIT 25	C.170
9529080000	KLIPPON K MF KIT 16	C.164
9529080000	KLIPPON K MF KIT 16	C.167
9529080000	KLIPPON K MF KIT 16	C.169
9529090000	KLIPPON K0 RAL7001	C.150
9529090000	KLIPPON K0 RAL7001	C.162
9529100000	KLIPPON K01 RAL7001	C.150
9529100000	KLIPPON K01 RAL7001	C.153
9529110000	KLIPPON K02 RAL7001	C.150
9529110000	KLIPPON K02 RAL7001	C.154
9529120000	KLIPPON K1 RAL7001	C.150
9529120000	KLIPPON K1 RAL7001	C.155
9529130000	KLIPPON K11 RAL7001	C.150
9529130000	KLIPPON K11 RAL7001	C.156
9529140000	KLIPPON K2 RAL7001	C.150
9529140000	KLIPPON K2 RAL7001	C.157
9529150000	KLIPPON K21 RAL7001	C.150
9529150000	KLIPPON K21 RAL7001	C.158
9529160000	KLIPPON K3 RAL7001	C.150
9529160000	KLIPPON K3 RAL7001	C.159
9529170000	KLIPPON K31 RAL7001	C.150
9529170000	KLIPPON K31 RAL7001	C.160
9529180000	KLIPPON K32 RAL7001	C.150
9529180000	KLIPPON K32 RAL7001	C.161
9529190000	KLIPPON K4 RAL7001	C.150
9529190000	KLIPPON K4 RAL7001	C.152
9529200000	KLIPPON K41 RAL7001	C.150
9529200000	KLIPPON K41 RAL7001	C.163
9529210000	KLIPPON K5 RAL7001	C.150
9529210000	KLIPPON K5 RAL7001	C.164
9529220000	KLIPPON K51 RAL7001	C.150
9529220000	KLIPPON K51 RAL7001	C.165
9529230000	KLIPPON K52 RAL7001	C.150
9529230000	KLIPPON K52 RAL7001	C.166
9529240000	KLIPPON K6 RAL7001	C.150
9529240000	KLIPPON K6 RAL7001	C.167

Order No.	Type	Page
9529250000	KLIPPON K61 RAL7001	C.150
9529250000	KLIPPON K61 RAL7001	C.168
9529260000	KLIPPON K7 RAL7001	C.150
9529260000	KLIPPON K7 RAL7001	C.169
9529270000	KLIPPON K71 RAL7001	C.150
9529270000	KLIPPON K71 RAL7001	C.170

## 9530000000

9535170000	MPC 07/12/07 7035	C.238
9535170000	MPC 07/12/07 7035	C.240
9535180000	MPC 07/12/07 TRSP	C.238
9535180000	MPC 07/12/07 TRSP	C.240
9535190000	MPC 07/12/10 7035	C.238
9535190000	MPC 07/12/10 7035	C.240
9535200000	MPC 07/12/10 TRSP	C.238
9535200000	MPC 07/12/10 TRSP	C.240
9535210000	MPC 07/12/12 7035	C.238
9535210000	MPC 07/12/12 7035	C.241
9535220000	MPC 07/12/12 TRSP	C.238
9535220000	MPC 07/12/12 TRSP	C.241
9535230000	MPC 12/12/07 7035	C.238
9535230000	MPC 12/12/07 7035	C.241
9535240000	MPC 12/12/07 TRSP	C.238
9535240000	MPC 12/12/07 TRSP	C.241
9535250000	MPC 12/12/10 7035	C.238
9535250000	MPC 12/12/10 7035	C.242
9535260000	MPC 12/12/10 TRSP	C.238
9535260000	MPC 12/12/10 TRSP	C.242
9535270000	MPC 12/12/12 7035	C.238
9535270000	MPC 12/12/12 7035	C.242
9535280000	MPC 12/12/12 TRSP	C.238
9535280000	MPC 12/12/12 TRSP	C.242
9535290000	MPC 12/17/07 7035	C.238
9535290000	MPC 12/17/07 7035	C.243
9535300000	MPC 12/17/07 TRSP	C.238
9535300000	MPC 12/17/07 TRSP	C.243
9535310000	MPC 12/17/10 7035	C.238
9535310000	MPC 12/17/10 7035	C.243
9535320000	MPC 12/17/10 TRSP	C.238
9535320000	MPC 12/17/10 TRSP	C.243
9535330000	MPC 12/17/12 7035	C.238
9535330000	MPC 12/17/12 7035	C.244
9535340000	MPC 12/17/12 TRSP	C.238
9535340000	MPC 12/17/12 TRSP	C.244
9535350000	MPC 12/17/15 7035	C.238
9535350000	MPC 12/17/15 7035	C.244
9535360000	MPC 12/17/15 TRSP	C.238
9535360000	MPC 12/17/15 TRSP	C.244
9535370000	MPC 17/17/07 7035	C.238
9535370000	MPC 17/17/07 TRSP	C.245
9535380000	MPC 17/17/07 TRSP	C.238
9535380000	MPC 17/17/07 TRSP	C.245
9535390000	MPC 17/17/10 7035	C.238
9535390000	MPC 17/17/10 7035	C.245
9535400000	MPC 17/17/10 TRSP	C.238
9535400000	MPC 17/17/10 TRSP	C.245
9535410000	MPC 17/17/12 7035	C.238
9535410000	MPC 17/17/12 7035	C.246
9535430000	MPC 17/17/15 7035	C.238
9535430000	MPC 17/17/15 7035	C.246
9535440000	MPC 17/17/15 TRSP	C.238
9535440000	MPC 17/17/15 TRSP	C.246
9535450000	MPC 17/25/07 7035	C.238
9535450000	MPC 17/25/07 7035	C.247
9535470000	MPC 17/25/10 7035	C.238
9535470000	MPC 17/25/10 7035	C.247
9535480000	MPC 17/25/10 TRSP	C.238
9535480000	MPC 17/25/10 TRSP	C.247
9535490000	MPC 17/25/15 7035	C.238
9535490000	MPC 17/25/15 7035	C.248
9535500000	MPC 17/25/15 TRSP	C.238
9535500000	MPC 17/25/15 TRSP	C.248
9535540000	MP MPC 07/12	C.240
9535540000	MP MPC 07/12	C.241
9535550000	MP MPC 12/12	C.241
9535550000	MP MPC 12/12	C.24

# Addresses worldwide

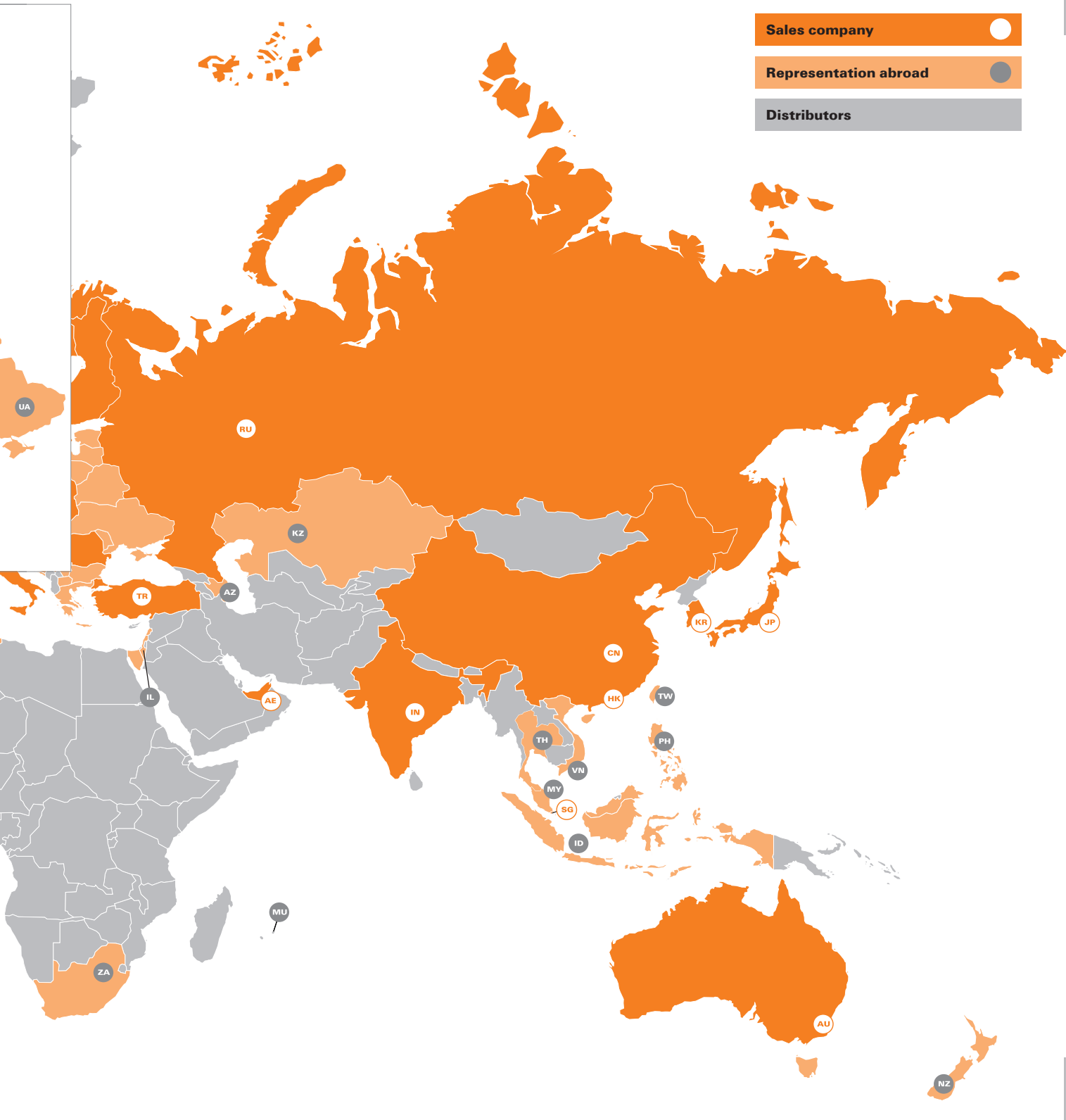


X

You can find all Weidmüller addresses and your local contact on the internet at: [www.weidmueller.com/countries](http://www.weidmueller.com/countries)







We cannot guarantee that there are no mistakes in the publications or software provided by us to the customer for the purpose of making orders. We try our best to quickly correct errors in our printed media.

**X**

All orders are based on our general terms of delivery, which can be reviewed on the websites of our group companies where you place your order. On demand we can also send the general terms of delivery to you.



## Weidmüller – Your partner in Industrial Connectivity

As experienced experts we support our customers and partners around the world with products, solutions and services in the industrial environment of power, signal and data. We are at home in their industries and markets and know the technological challenges of tomorrow. We are therefore continuously developing innovative, sustainable and useful solutions for their individual needs. Together we set standards in Industrial Connectivity.

Weidmüller Interface GmbH & Co. KG  
Klingenbergstraße 26  
32758 Detmold, Germany  
T +49 5231 14-0  
F +49 5231 14-292083  
[www.weidmueller.com](http://www.weidmueller.com)

Personal support can  
be found on our website:  
[www.weidmueller.com/contact](http://www.weidmueller.com/contact)

Made in Germany



Order number: 2833840000/05/2022/SMD